



US00D562670S

(12) **United States Design Patent**
Rogers et al.

(10) **Patent No.:** **US D562,670 S**

(45) **Date of Patent:** **** Feb. 26, 2008**

(54) **WEIGHTLIFTING SYSTEM LOCK AND LOAD BAR SUPPORT HOOK**

(75) Inventors: **Orley David Rogers**, Sanford, MI (US); **Timothy John Hockemeyer**, Midland, MI (US)

(73) Assignee: **Rogers Athletic Company**, Clare, MI (US)

(**) Term: **14 Years**

(21) Appl. No.: **29/251,294**

(22) Filed: **Jan. 5, 2006**

(51) **LOC (8) Cl.** **08-07**

(52) **U.S. Cl.** **D8/330; D21/694**

(58) **Field of Classification Search** D8/330-348; D21/694, 686, 691; D6/552; 482/104, 148, 482/92-97; 248/295.11, 219.4

See application file for complete search history.

(56) **References Cited**

U.S. PATENT DOCUMENTS

4,861,024 A 8/1989 Lee
5,215,510 A 6/1993 Baran

5,669,859 A 9/1997 Liggett et al.
5,727,764 A * 3/1998 Angeles 248/295.11
D444,827 S * 7/2001 Mobley D21/694
6,605,023 B1 8/2003 Mobley
6,623,407 B2 9/2003 Novak et al.
6,623,409 B1 9/2003 Abelbeck
6,669,607 B2 12/2003 Slawinski et al.

* cited by examiner

Primary Examiner—Mitchell Siegel

(74) *Attorney, Agent, or Firm*—Carlson, Gaskey & Olds

(57) **CLAIM**

We claim the ornamental design for the weightlifting system lock and load bar support hook, as shown and described.

DESCRIPTION

FIG. 1 is a perspective view of the invention.

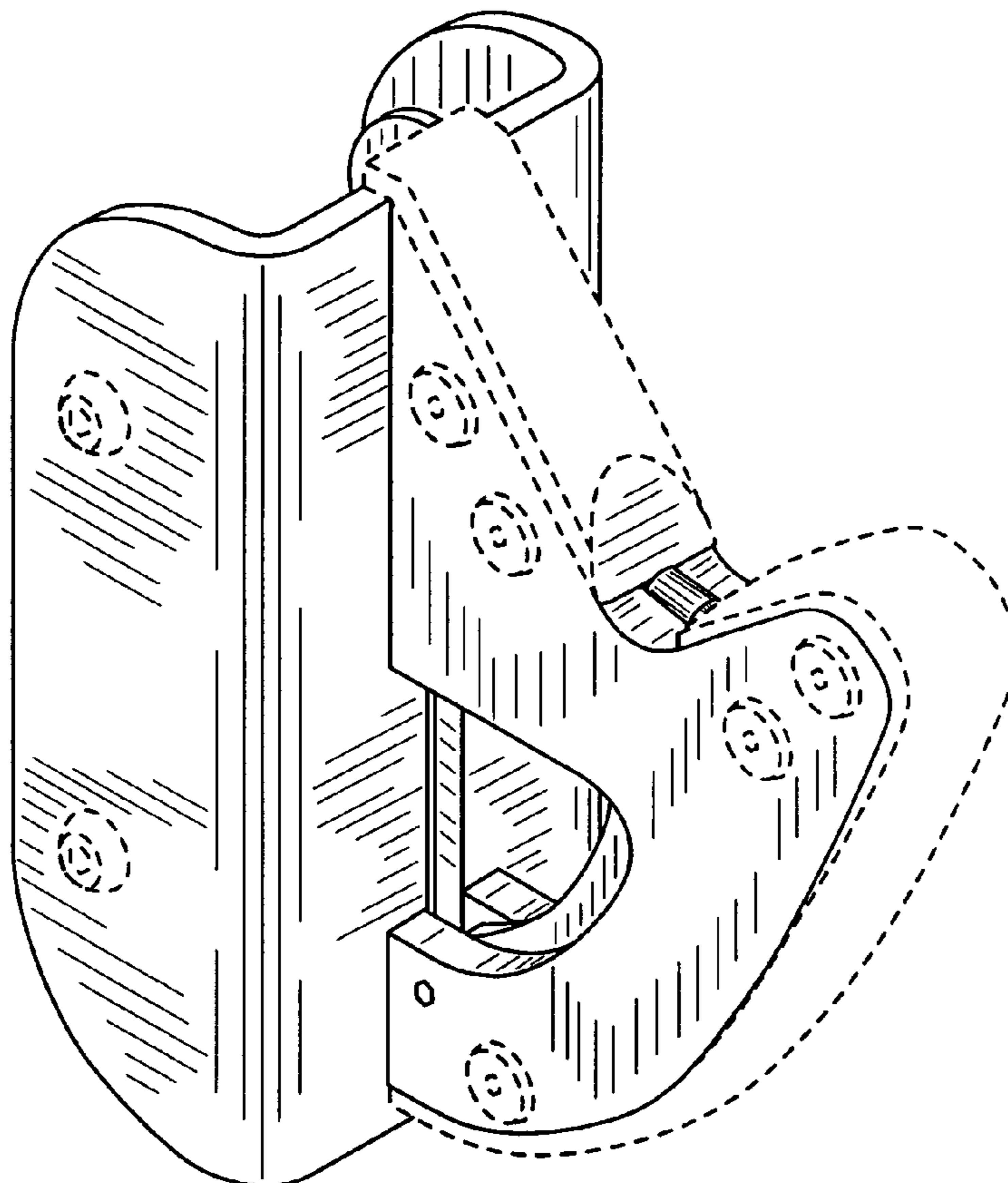
FIG. 2 is a back view of the invention.

FIG. 3 is a top view of the invention; and,

FIG. 4 is a side view of the invention.

The broken line showing is included for the purpose of illustrating and forms no part of the claimed design.

1 Claim, 4 Drawing Sheets



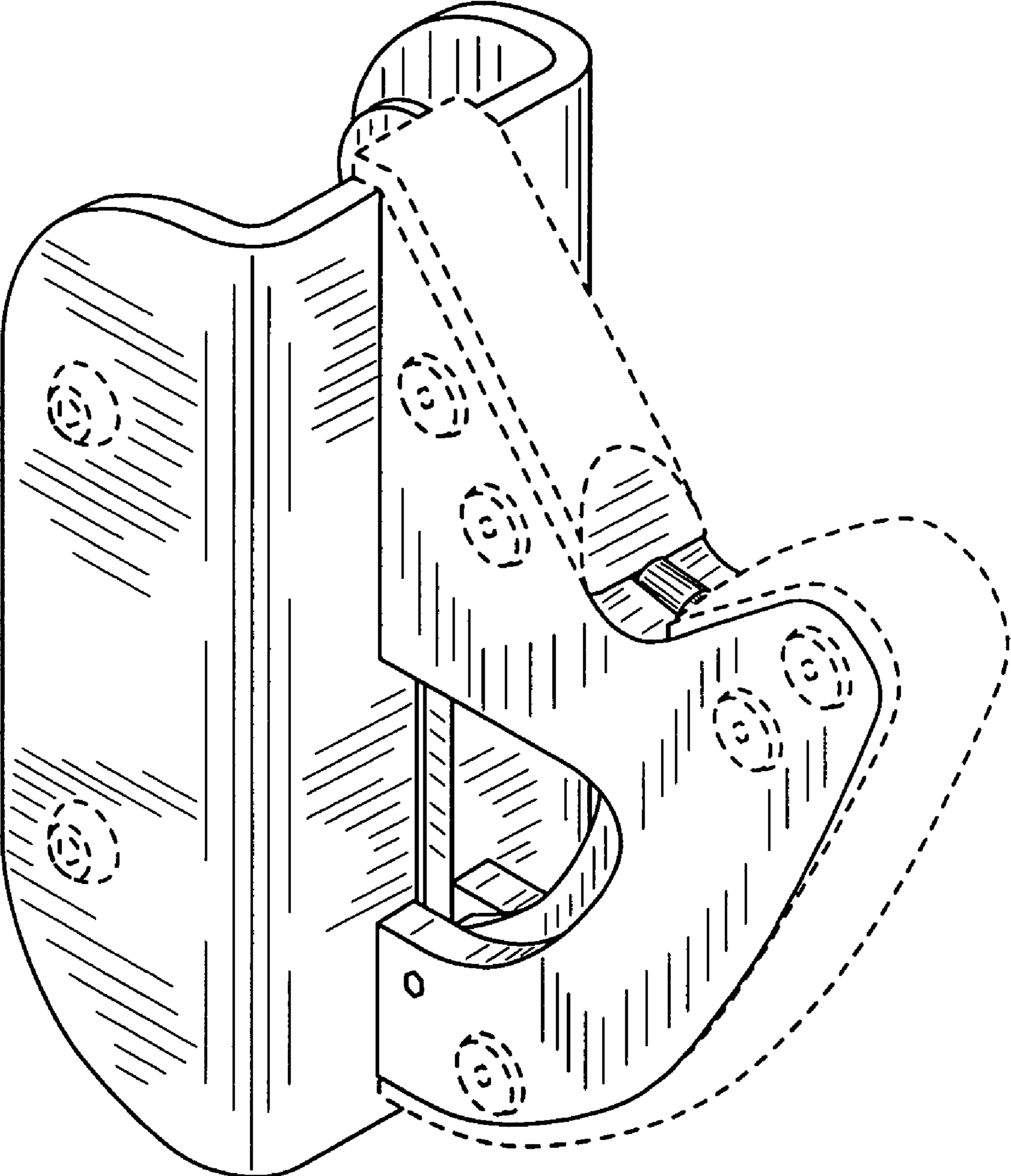


FIG. 1

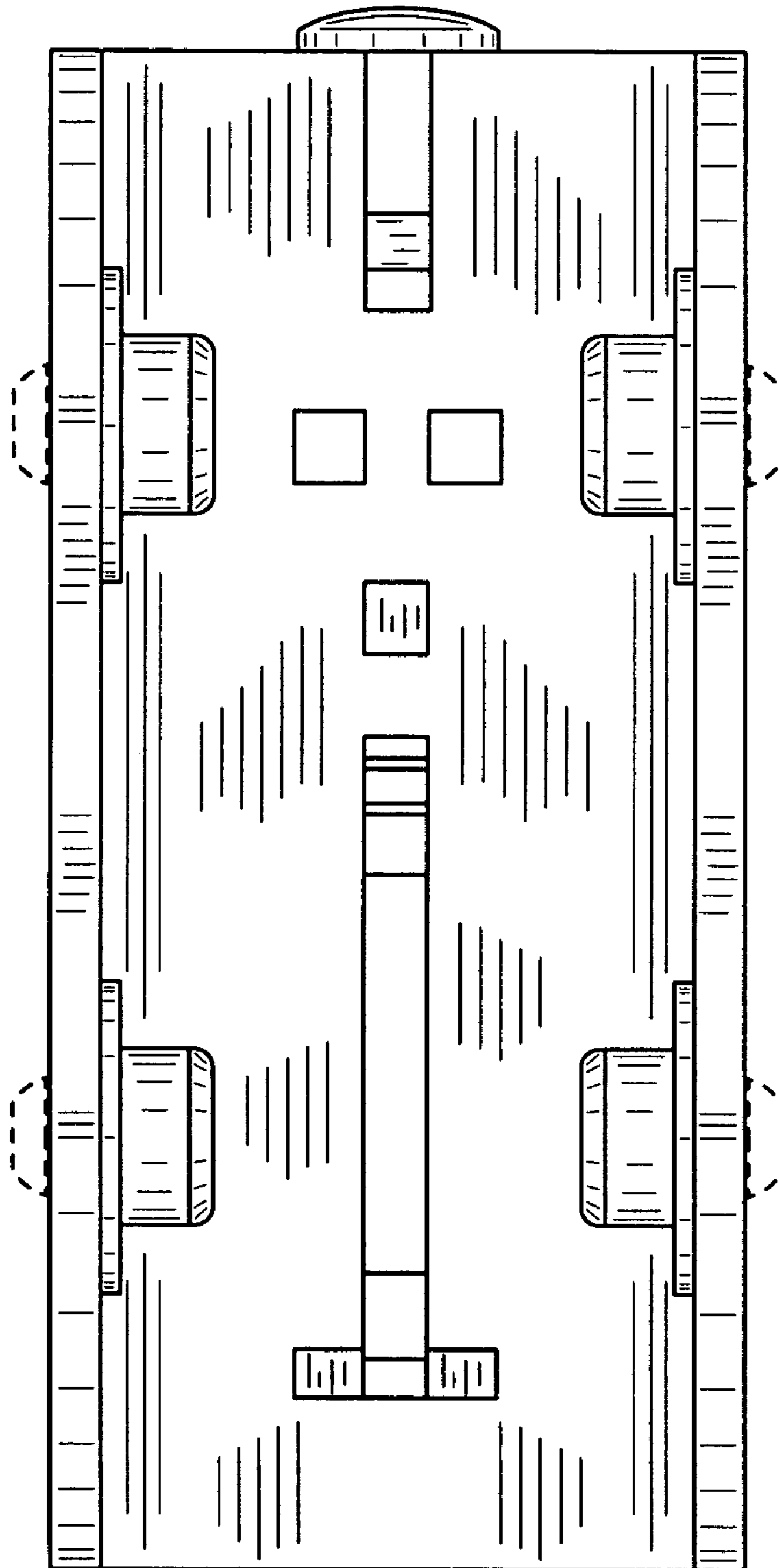


FIG. 2

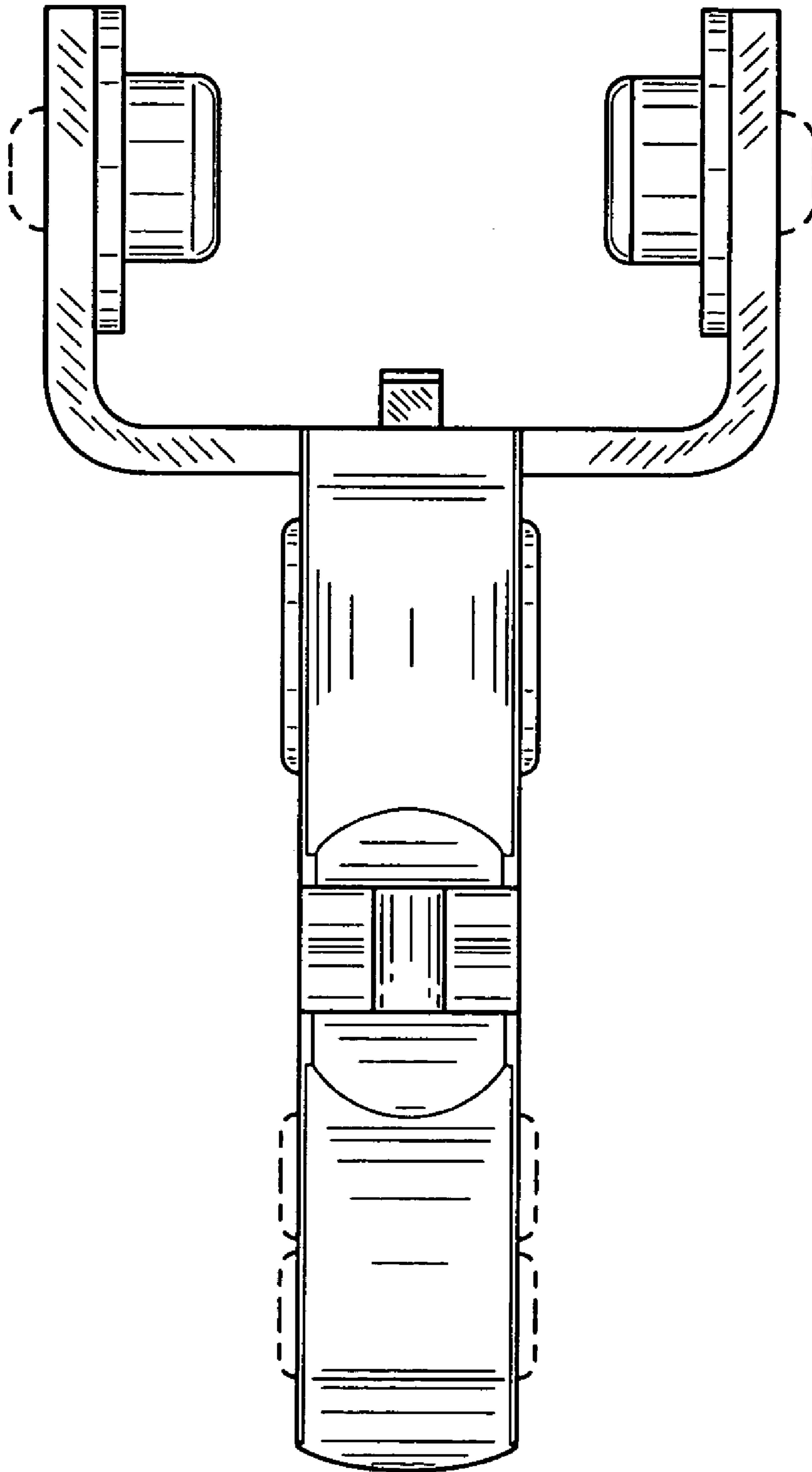


FIG. 3

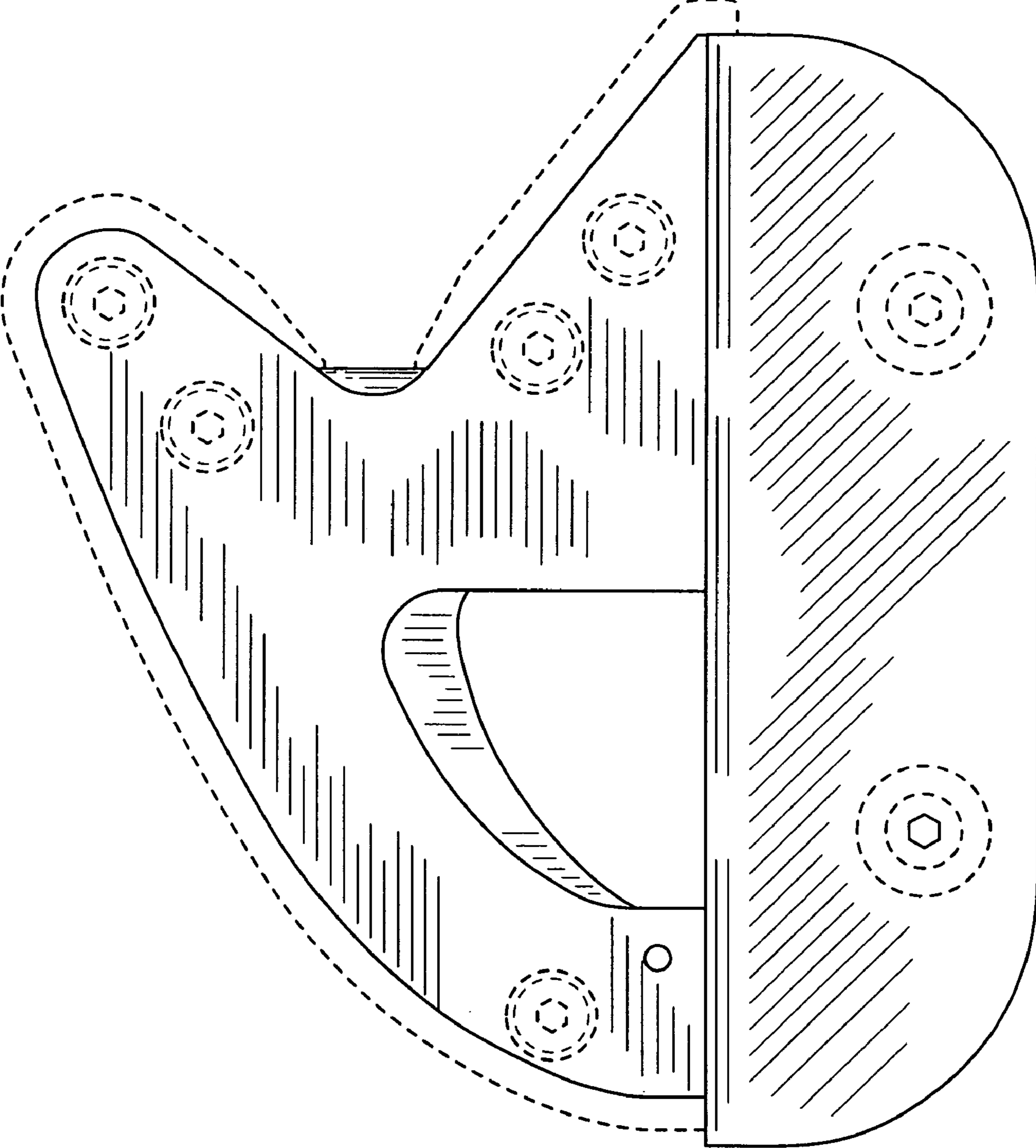


FIG. 4