

US00D562669S

(12) **United States Design Patent**
Kipperman

(10) **Patent No.:** **US D562,669 S**

(45) **Date of Patent:** **** Feb. 26, 2008**

(54) **HINGE FOR ADJUSTABLE FURNITURE**

(76) **Inventor:** **Nathan Kipperman**, 67 Glenwood Rd.,
Tenafly, NJ (US) 07670

(**) **Term:** **14 Years**

(21) **Appl. No.:** **29/279,540**

(22) **Filed:** **May 2, 2007**

Related U.S. Application Data

(63) Continuation-in-part of application No. 29/272,191,
filed on Feb. 1, 2007, and a continuation-in-part of
application No. 29/272,181, filed on Feb. 1, 2007.

(51) **LOC (8) Cl.** **08-06**

(52) **U.S. Cl.** **D8/323**

(58) **Field of Classification Search** D8/323-329,
D8/354, 356, 371; 16/221, 234-237, 239-241,
16/245-246, 249, 254, 261, 262, 265, 272,
16/277, 307, 309, 316, 319, 327-330, 335,
16/339, 342, 379, 381-389, DIG. 13, DIG. 40,
16/DIG. 43; 248/200, 221.11, 300, 309.1,
248/317

See application file for complete search history.

(56) **References Cited**

U.S. PATENT DOCUMENTS

365,232 A *	6/1887	Bingham	220/327
455,108 A *	6/1891	McBride	278/96
830,355 A *	9/1906	Nelson	49/370
1,161,521 A *	11/1915	Phillips	292/350
1,364,259 A *	1/1921	Eaton	242/156
1,533,661 A *	4/1925	Remillong	248/294.1
1,592,161 A *	7/1926	Schultz	118/52
1,684,144 A *	9/1928	Rettig	248/672
1,688,221 A *	10/1928	Abbey	295/77
2,535,324 A *	12/1950	Slopa	16/245
2,674,767 A *	4/1954	Fairhurst	49/253
3,541,633 A *	11/1970	Heinze	16/245
3,731,343 A *	5/1973	Naske	16/246
3,916,481 A *	11/1975	Pittasch	16/245
3,927,949 A *	12/1975	Clinch	402/22

4,191,419 A	3/1980	Kirkpatrick	
4,354,710 A	10/1982	Rauschenberger	
4,372,013 A *	2/1983	Gautier, Jr.	16/2.1
4,403,373 A	9/1983	Kummerlin	
4,407,045 A	10/1983	Boothe	

(Continued)

OTHER PUBLICATIONS

U.S. Appl. No. 29/272,191 "Hinge for Adjustable Furniture" filed
Feb. 1, 2007.

(Continued)

Primary Examiner—T. Chase Nelson
Assistant Examiner—Karen Acker
(74) *Attorney, Agent, or Firm*—Greenberg Traurig, LLP

(57) **CLAIM**

The ornamental design for a hinge for adjustable furniture,
as shown and described.

DESCRIPTION

FIG. 1 is a top perspective view of a hinge for adjustable
furniture showing my new design, with the hinge shown in
an engaged position;

FIG. 2 is a top plan view thereof;

FIG. 3 is a bottom plan view thereof;

FIG. 4 is a right side elevational view thereof, the left side
elevational view being a mirror image thereof;

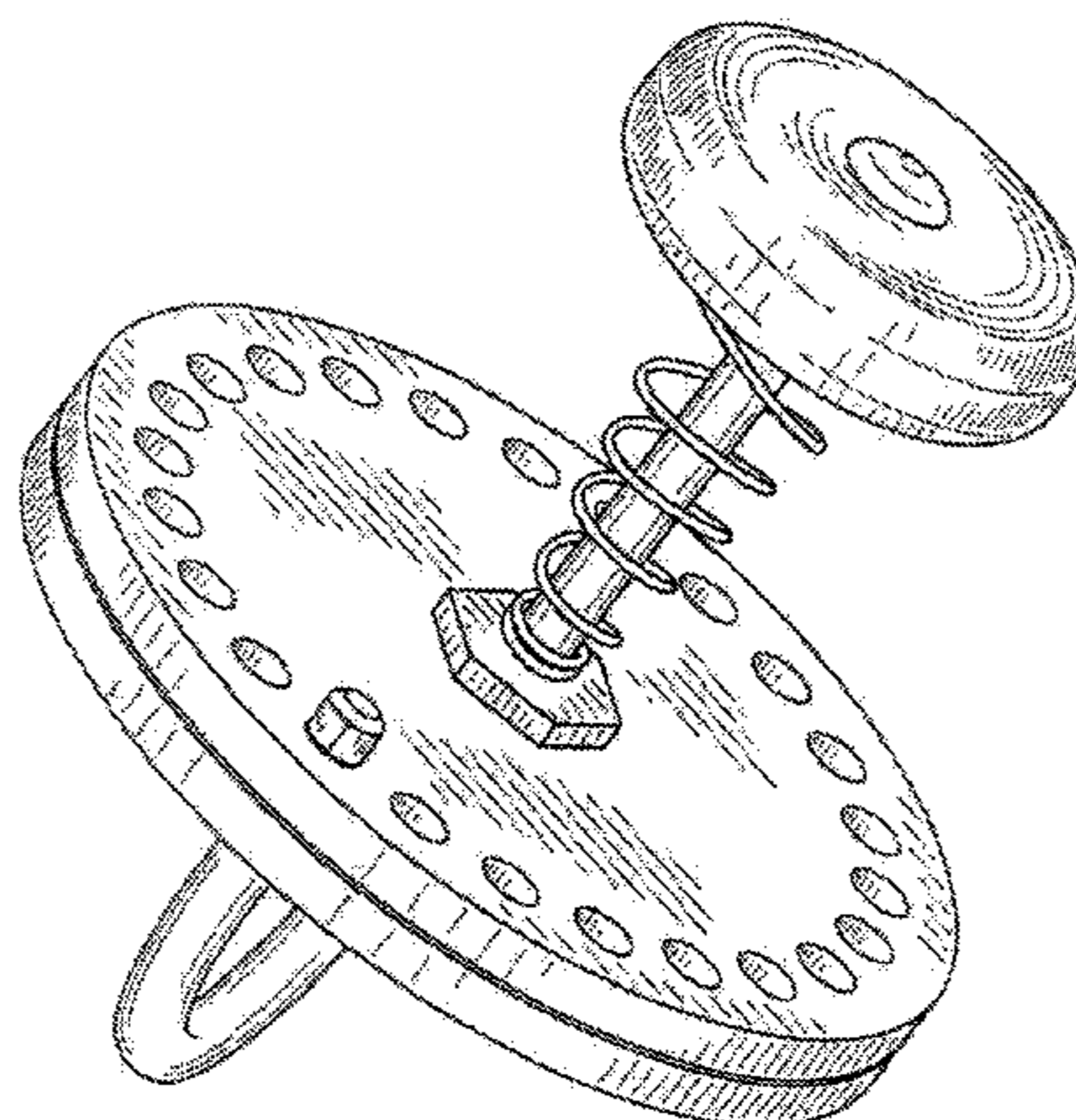
FIG. 5 is a front elevational view thereof;

FIG. 6 is a rear elevational view thereof;

FIG. 7 is a top perspective view of the hinge shown in FIG.
1 in a disengaged position; and,

FIG. 8 is a right side elevational view of the hinge shown in
FIG. 7, the left side elevational view being a mirror image
thereof.

1 Claim, 6 Drawing Sheets



US D562,669 S

Page 2

U.S. PATENT DOCUMENTS

4,417,366 A * 11/1983 Salice 16/258
4,421,366 A * 12/1983 Niziol 312/265.6
4,566,150 A 1/1986 Boothe
4,697,305 A 10/1987 Boothe
4,773,503 A 9/1988 Purkapile
4,785,497 A * 11/1988 Salice 16/237
D311,364 S * 10/1990 Wood D12/133
D349,611 S 8/1994 Kipperman
5,487,207 A 1/1996 Rey
5,954,157 A 9/1999 Grimes et al.
6,076,889 A 6/2000 Su et al.
D436,843 S * 1/2001 Mudryk et al. D8/382
6,311,943 B1 * 11/2001 Tang 248/343
6,343,406 B1 2/2002 Yeh

6,343,773 B1 * 2/2002 Baer et al. 248/200
6,540,199 B2 * 4/2003 Hung et al. 248/694
6,842,946 B2 * 1/2005 Hayden 16/414
6,845,545 B2 * 1/2005 Han et al. 16/277
7,007,344 B2 3/2006 Lee

OTHER PUBLICATIONS

U.S. Appl. No. 29/272,181 "Adjustable Furniture" filed Feb. 1, 2007.

U.S. Appl. No. 11/742,298 "Adjustable Furniture" filed Apr. 30, 2007.

U.S. Appl. No. 29/279,539 "Adjustable Furniture" filed May 2, 2007.

* cited by examiner

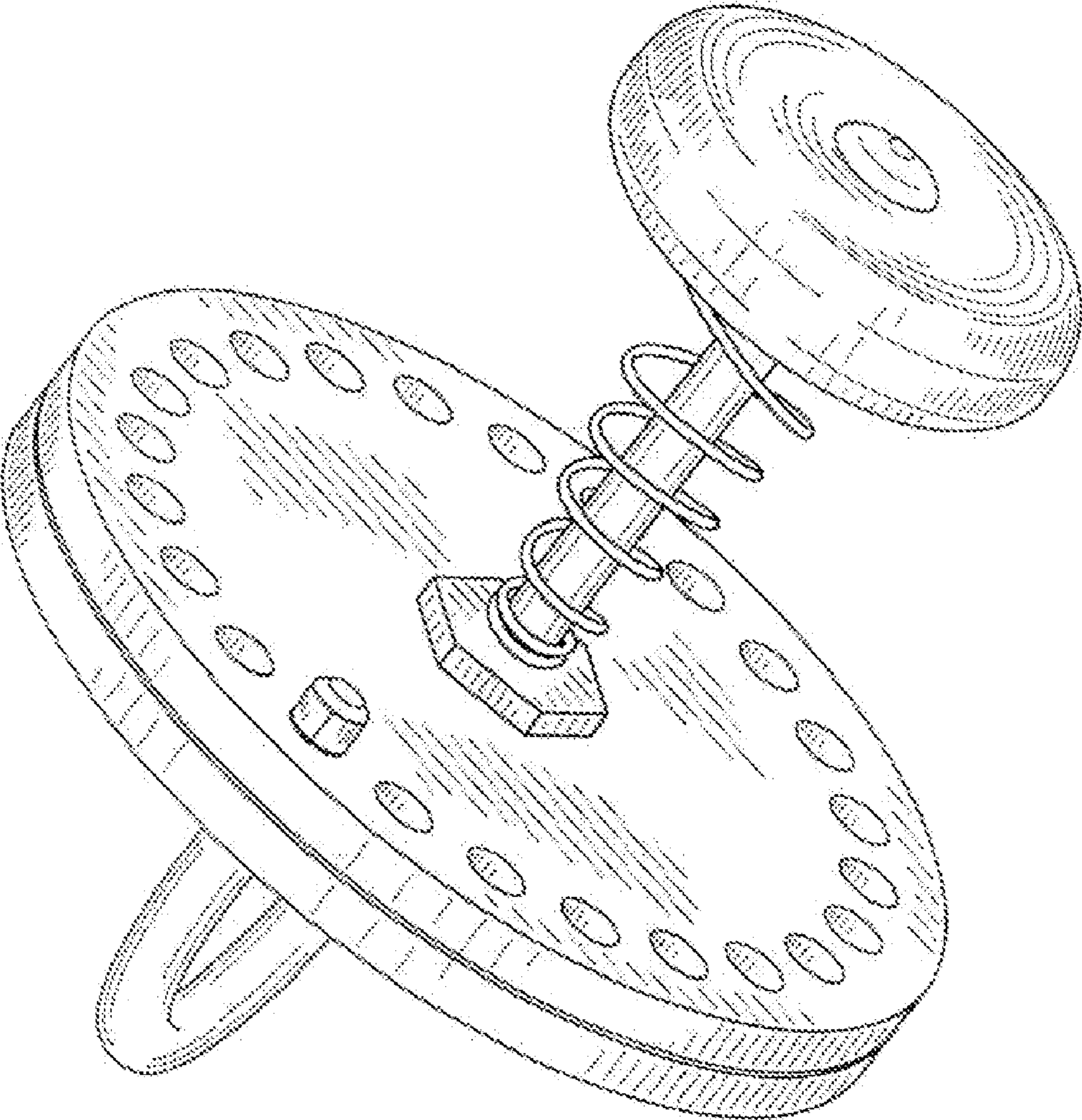


FIG. 1

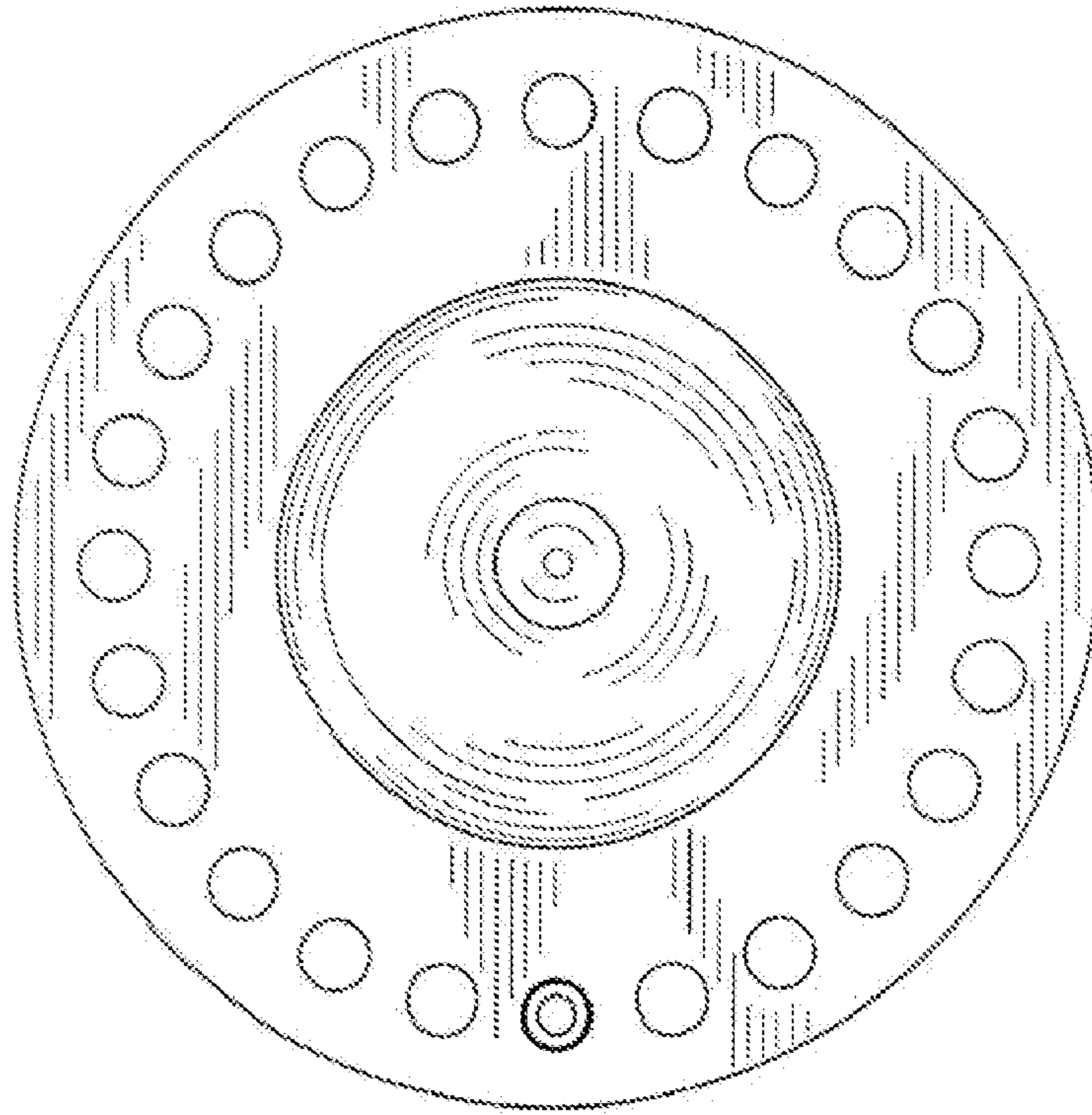


FIG. 2

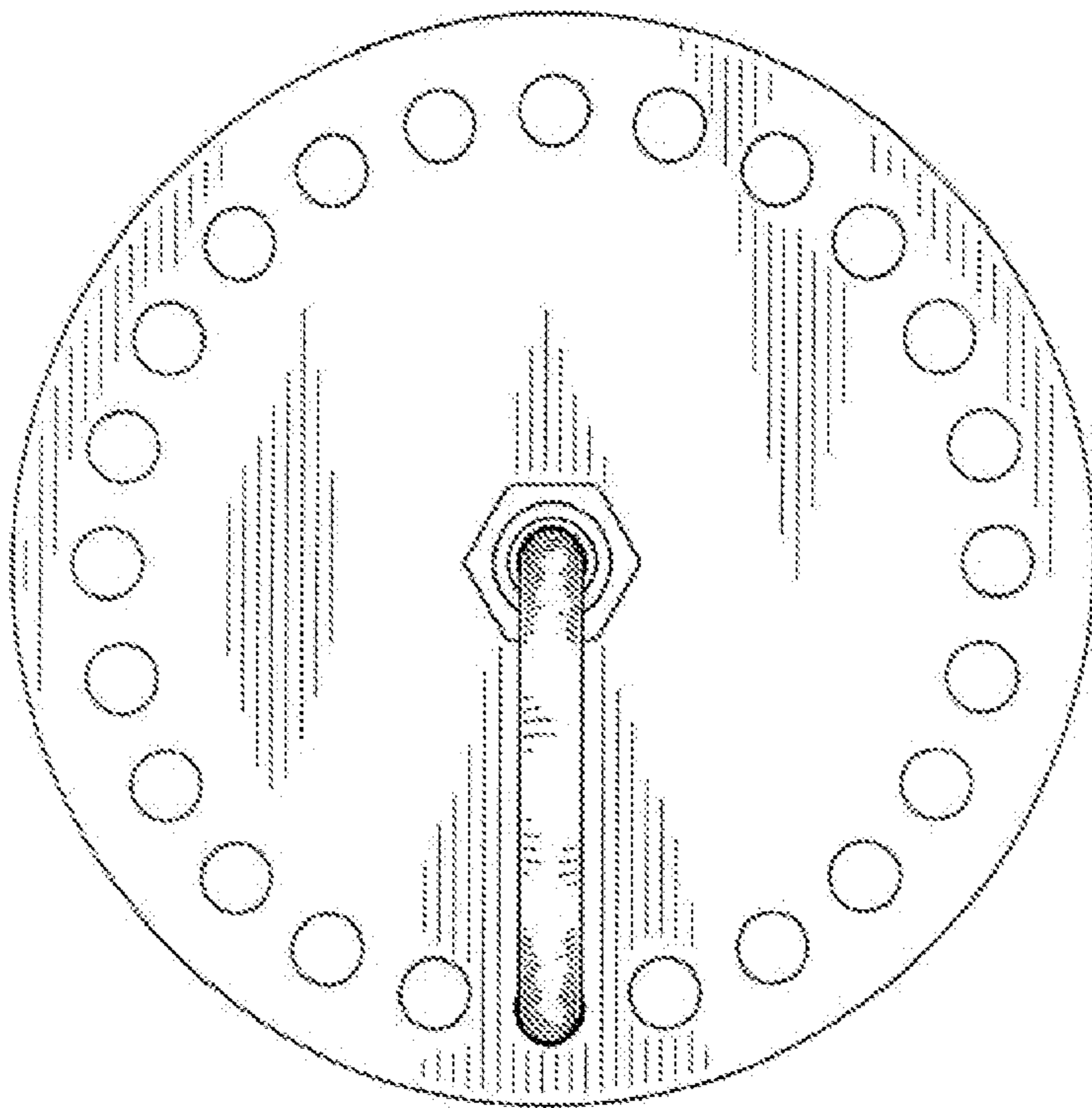


FIG. 3

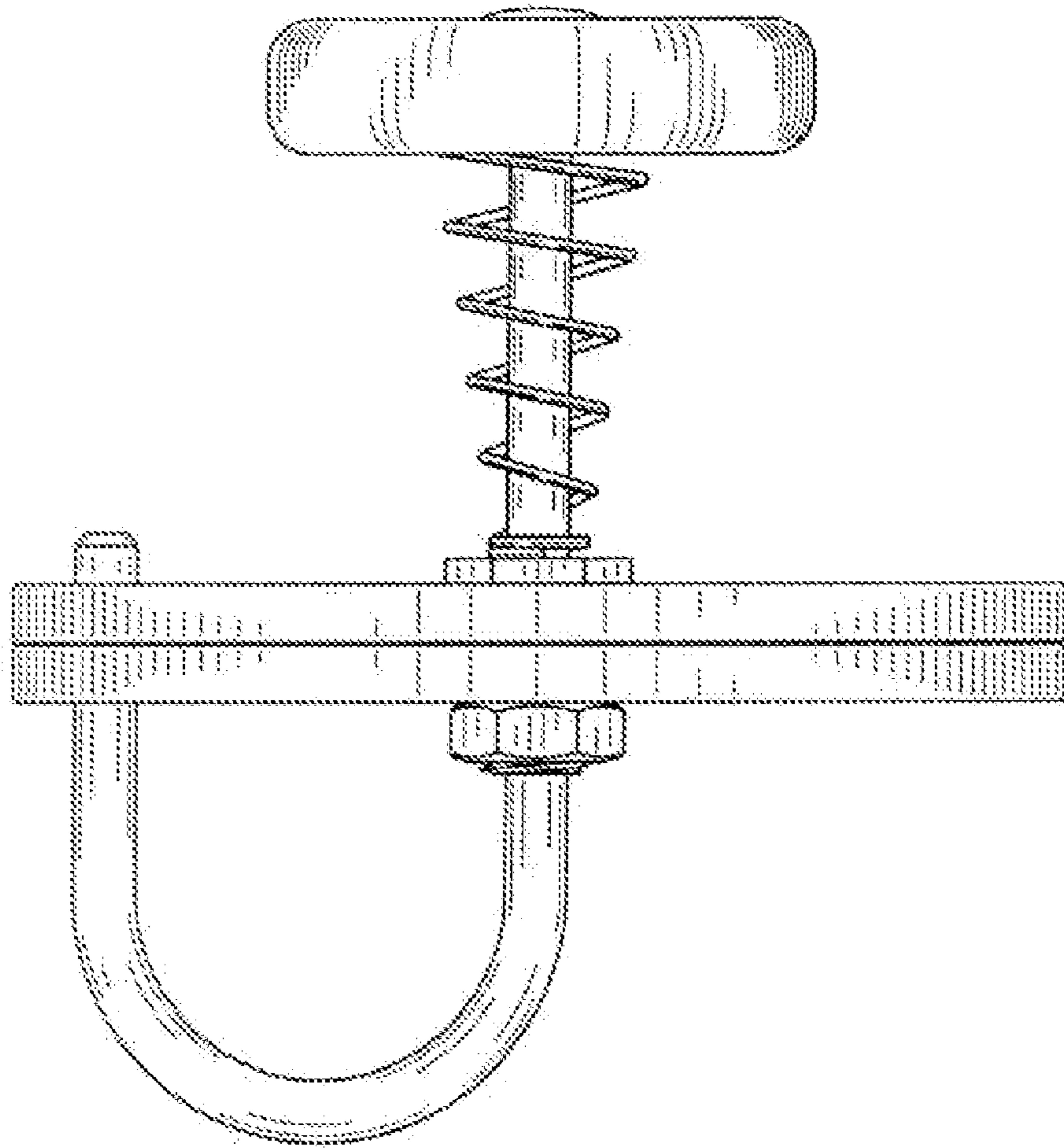


FIG. 4

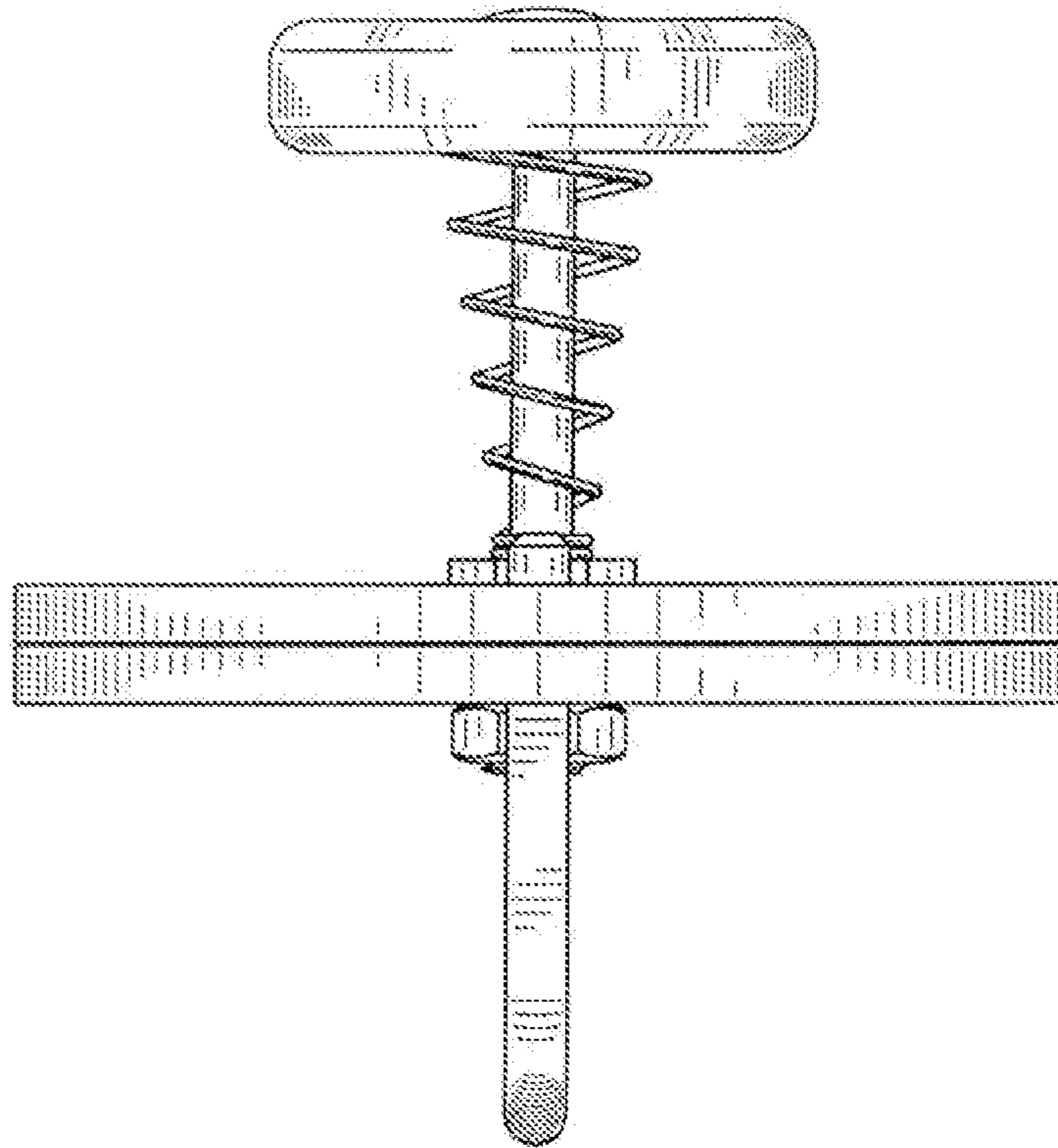


FIG. 5

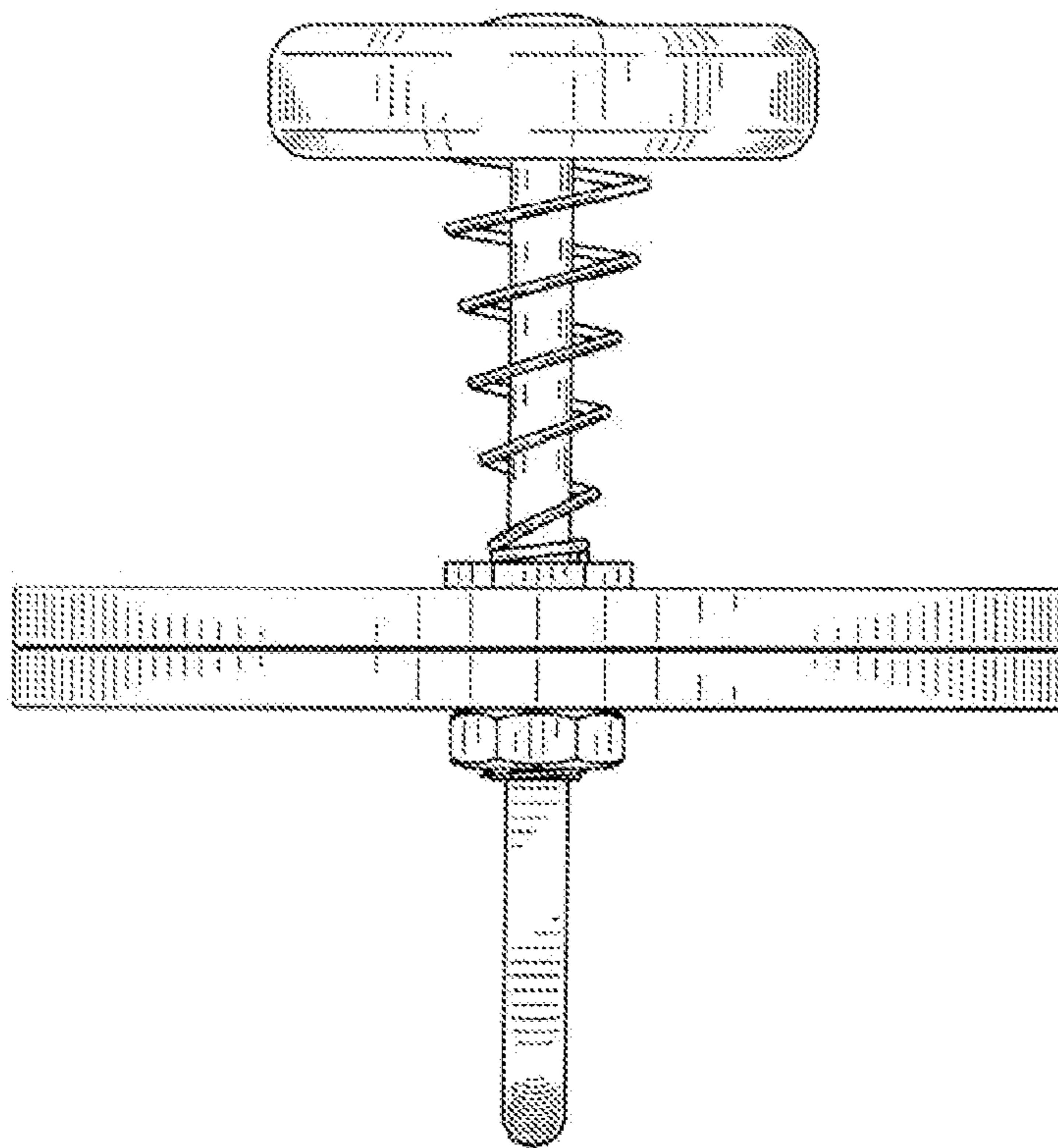


FIG. 6

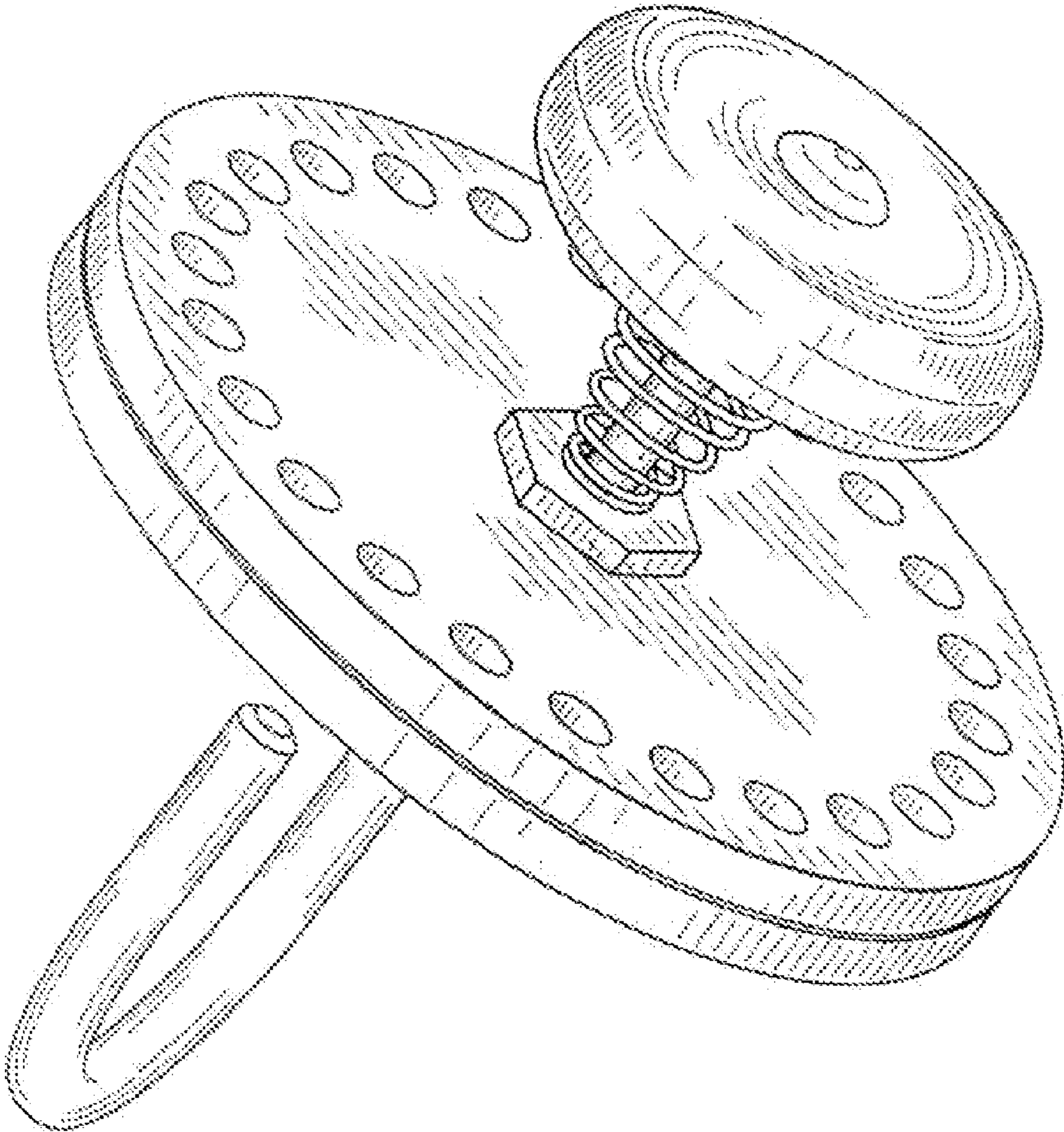


FIG. 7

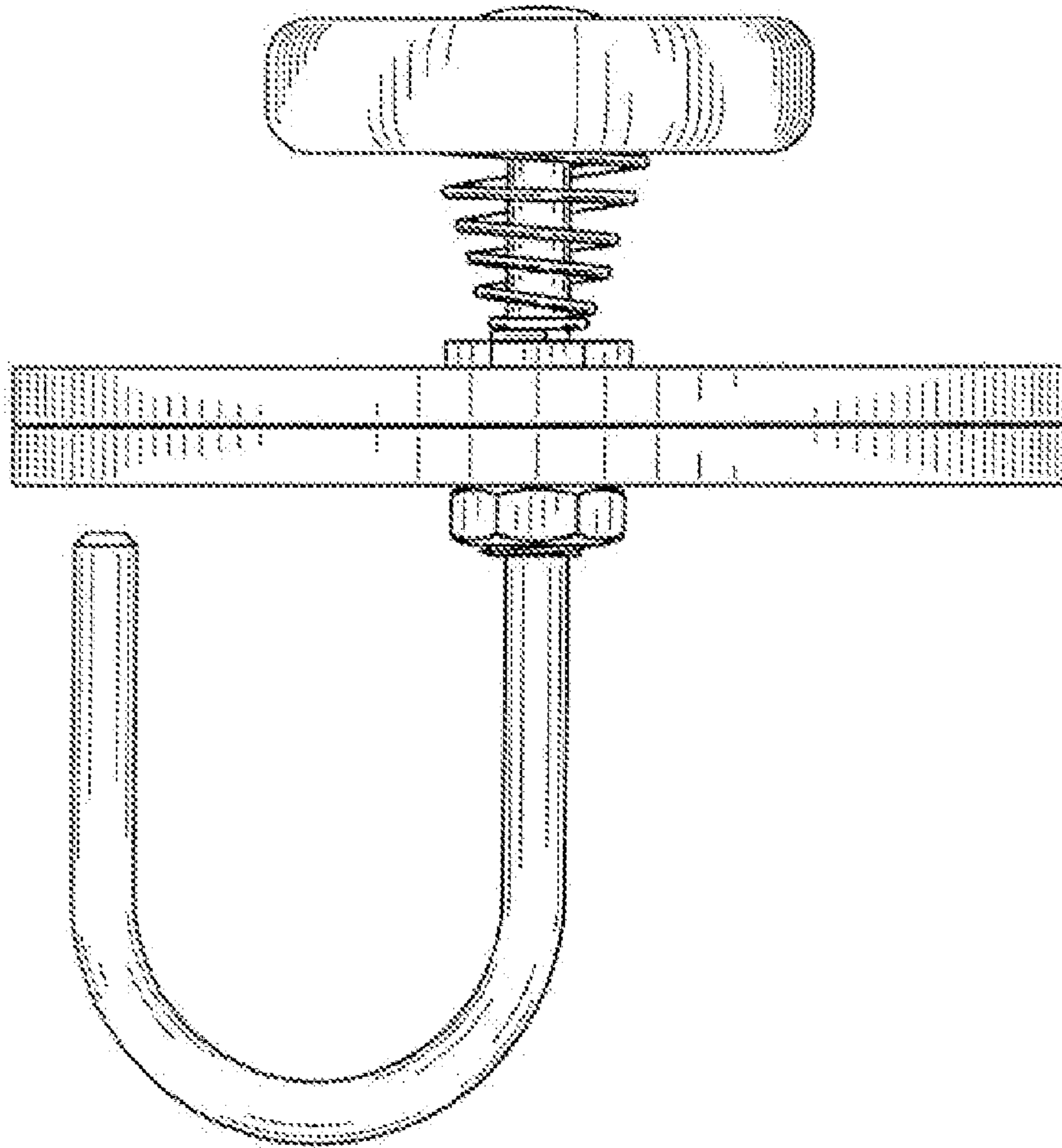


FIG. 8