



US00D562665S

(12) **United States Design Patent**
Gao

(10) **Patent No.:** **US D562,665 S**
(45) **Date of Patent:** **** Feb. 26, 2008**

(54) **RATCHETING SCREWDRIVER ASSEMBLY**

(75) Inventor: **Hua Gao**, Fox Point, WI (US)

(73) Assignee: **Bradshaw Medical, Inc.**, Kenosha, WI (US)

(**) Term: **14 Years**

(21) Appl. No.: **29/258,441**

(22) Filed: **Apr. 21, 2006**

(51) **LOC (8) Cl.** **08-04**

(52) **U.S. Cl.** **D8/83; D8/86**

(58) **Field of Classification Search** D8/14,
D8/25, 82, 83, 84, 85, 86, 87, 310; 81/60,
81/62, 63.1, 177.1, 438, 439
See application file for complete search history.

(56) **References Cited**

U.S. PATENT DOCUMENTS

3,025,994	A	3/1962	Kaplan	
3,222,943	A *	12/1965	McDonald	74/157
3,654,975	A *	4/1972	Ballsmith et al.	81/32
D255,979	S *	7/1980	Boursaw	D8/25
D259,698	S	6/1981	MacNeill	
D260,599	S	9/1981	Wong	
D282,713	S	2/1986	Flory et al.	
D284,346	S	6/1986	Masters	
4,599,779	A	7/1986	Thibault	
D296,296	S	6/1988	Lee	
4,763,546	A	8/1988	Yeh et al.	
4,777,852	A	10/1988	Herman et al.	
4,791,837	A *	12/1988	Main	81/63.1
4,813,551	A	3/1989	Kuo	
D339,279	S	9/1993	Baum	
D356,239	S	3/1995	Lin	
5,520,073	A	5/1996	Bakula et al.	
5,535,648	A	7/1996	Braun et al.	
D374,162	S	10/1996	Martin	
5,570,616	A	11/1996	Thompson et al.	
D377,444	S	1/1997	Lin	
5,685,204	A	11/1997	Braun	
5,848,680	A	12/1998	Rinner	
6,047,801	A *	4/2000	Liao	192/43.2

6,070,501	A *	6/2000	Braun et al.	81/62
6,151,998	A	11/2000	Fu-Hui	
D434,630	S *	12/2000	Oliver et al.	D8/83
6,250,183	B1 *	6/2001	Chiang	81/63.2
D449,505	S *	10/2001	Glass et al.	D8/83
D454,045	S	3/2002	Rinner et al.	
D476,875	S *	7/2003	Chen	D8/85
6,898,998	B2	5/2005	Shyu	
6,996,886	B1	2/2006	Rinner	
6,997,084	B1 *	2/2006	Gao et al.	81/62
D520,841	S *	5/2006	Huang	D8/83
2002/0170134	A1	11/2002	Martin	
2003/0136234	A1	7/2003	Cunningham	
2004/0103763	A1	6/2004	Shyu	

* cited by examiner

Primary Examiner—Philip S. Hyder
(74) *Attorney, Agent, or Firm*—Ryan Kromholz & Manion, S.C.

(57) **CLAIM**

The ornamental design for a ratcheting screwdriver assembly, as shown and described.

DESCRIPTION

FIG. 1 is a rear perspective view of a ratcheting screwdriver assembly according to the present invention.

FIG. 2 is a front perspective view of the assembly of FIG. 1.

FIG. 3 is a side elevation view of the assembly of FIG. 1.

FIG. 4 is a rear elevation view of the assembly of FIG. 1.

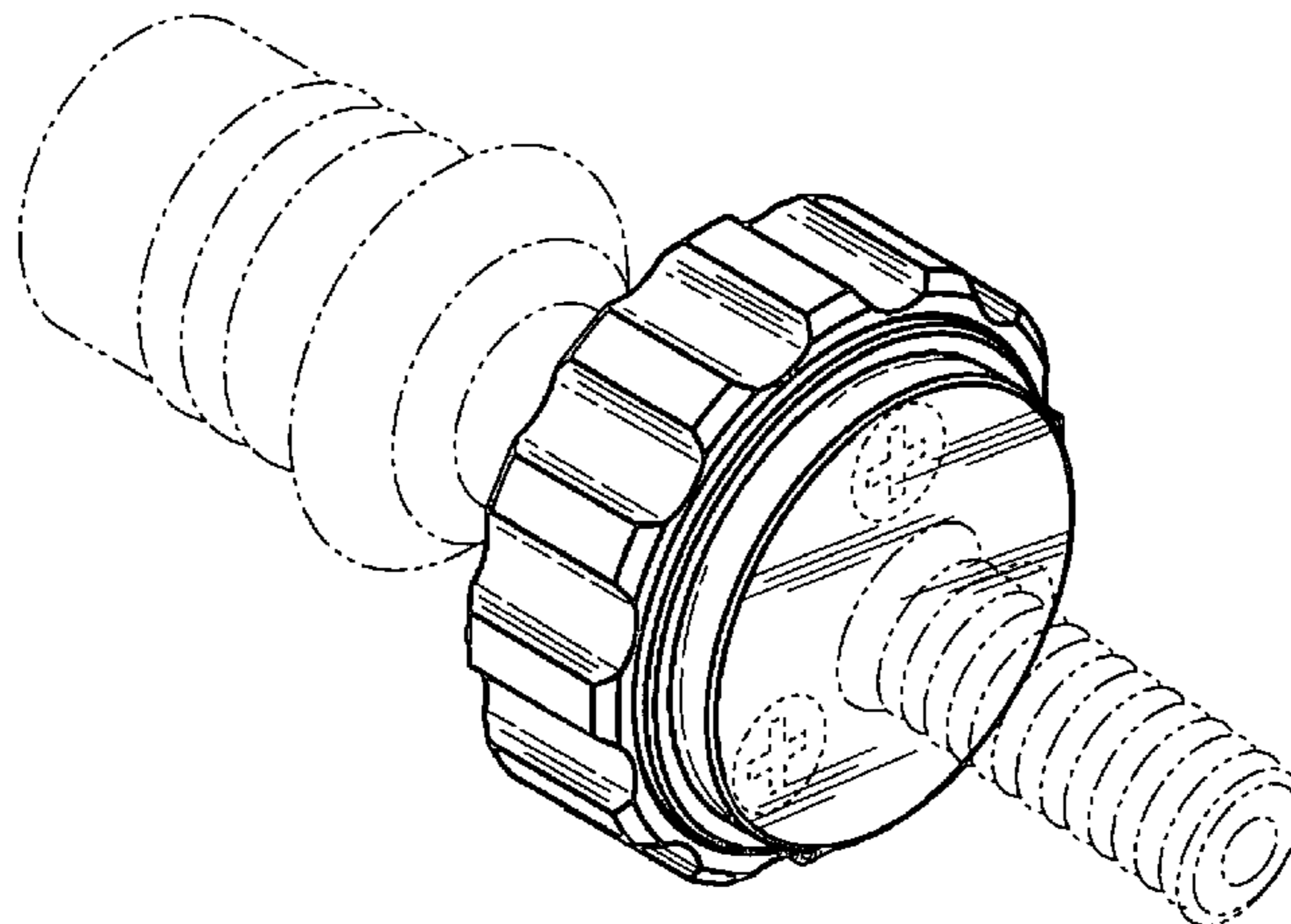
FIG. 5 is a front elevation view of the assembly of FIG. 1.

FIG. 6 is a rear perspective exploded view of the assembly of FIG. 1; and,

FIG. 7 is a front perspective exploded view of the assembly of FIG. 1.

The broken lines of FIGS. 1–4 and 6–7 are for illustrative purposes and form no part of the claimed design. The broken lines showing a handle in FIG. 3 are for illustrative purposes and form no part of the claimed invention.

1 Claim, 3 Drawing Sheets



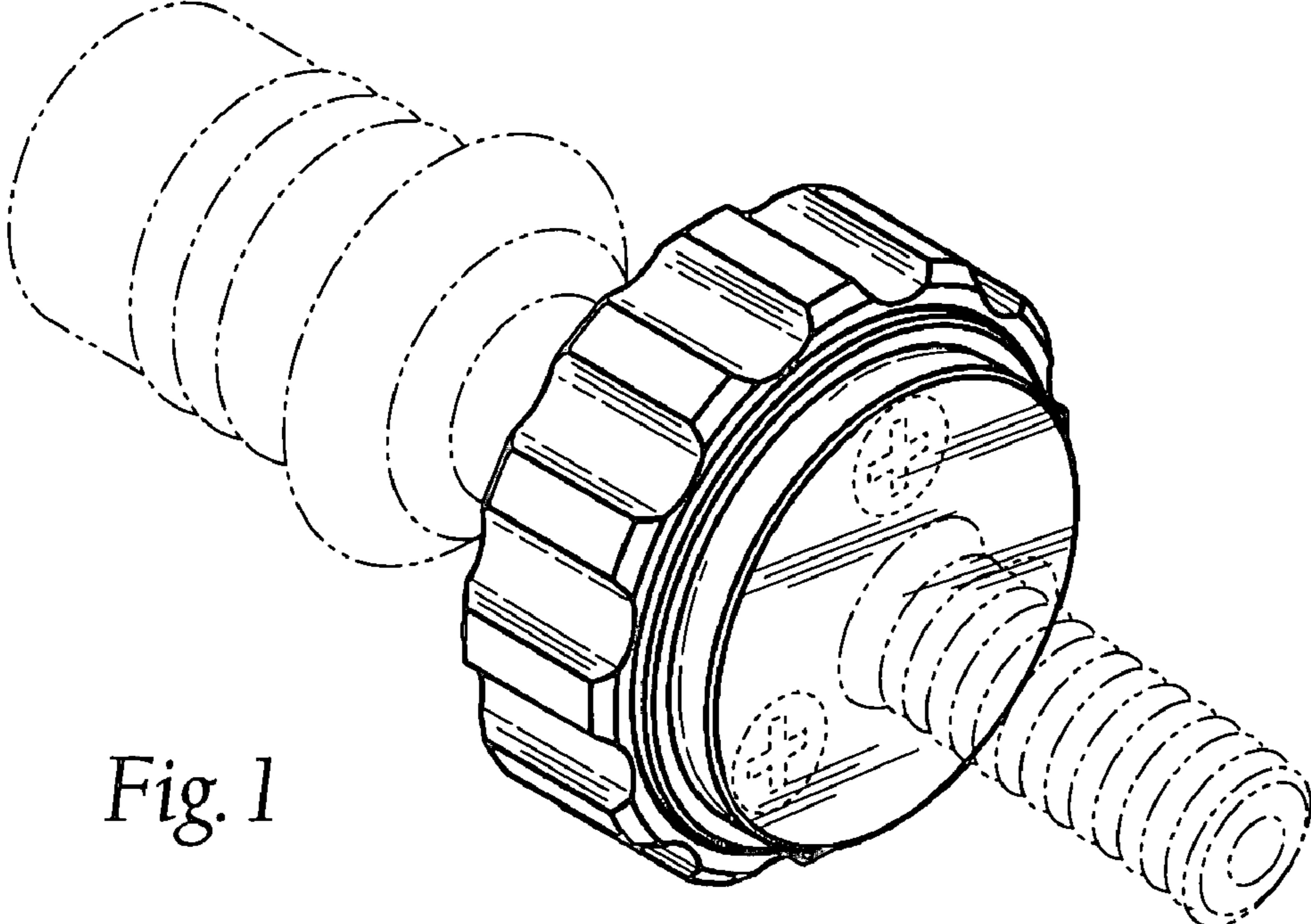


Fig. 1

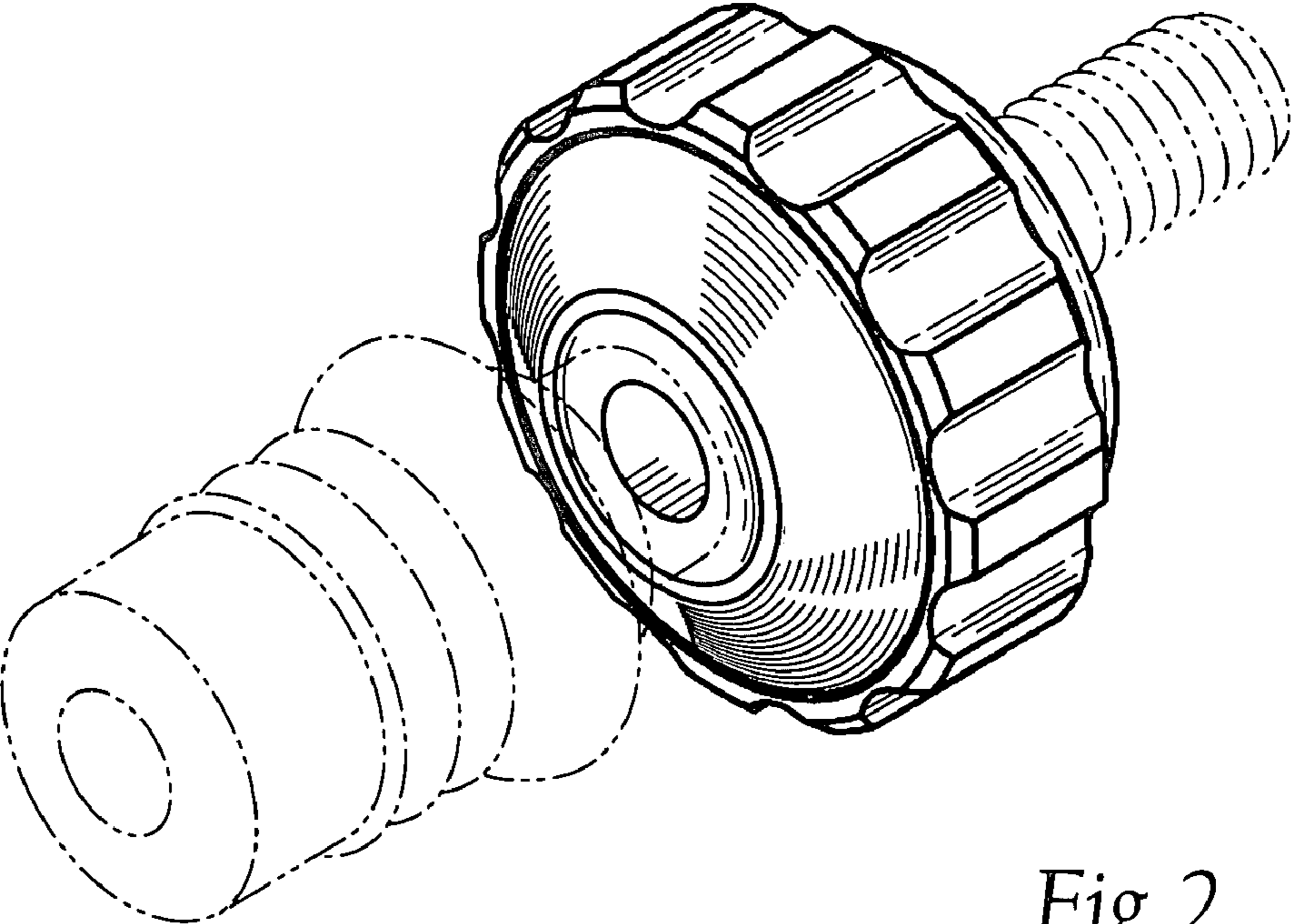


Fig. 2

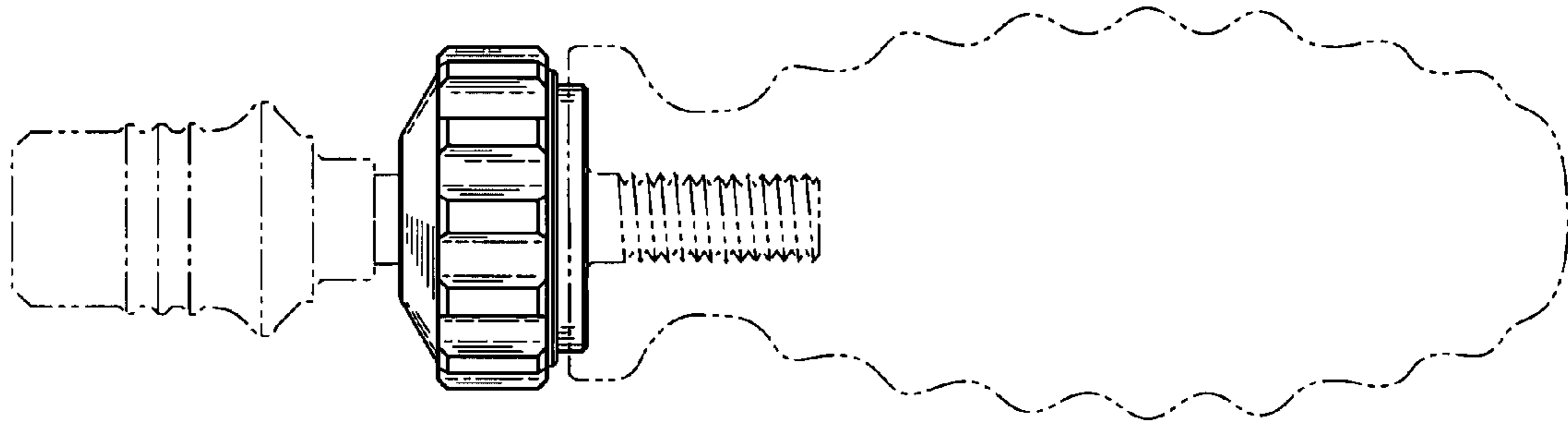


Fig. 3

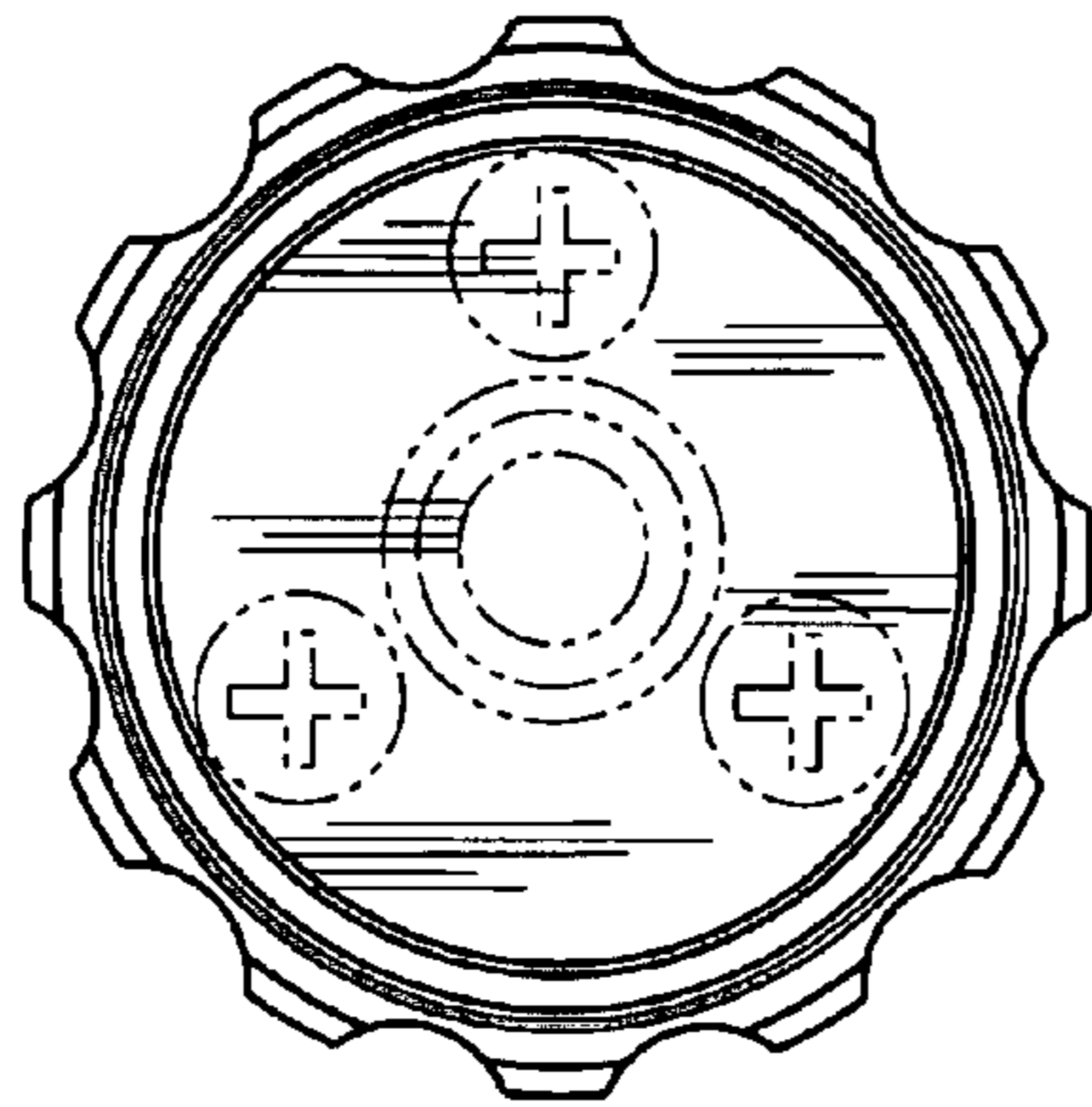
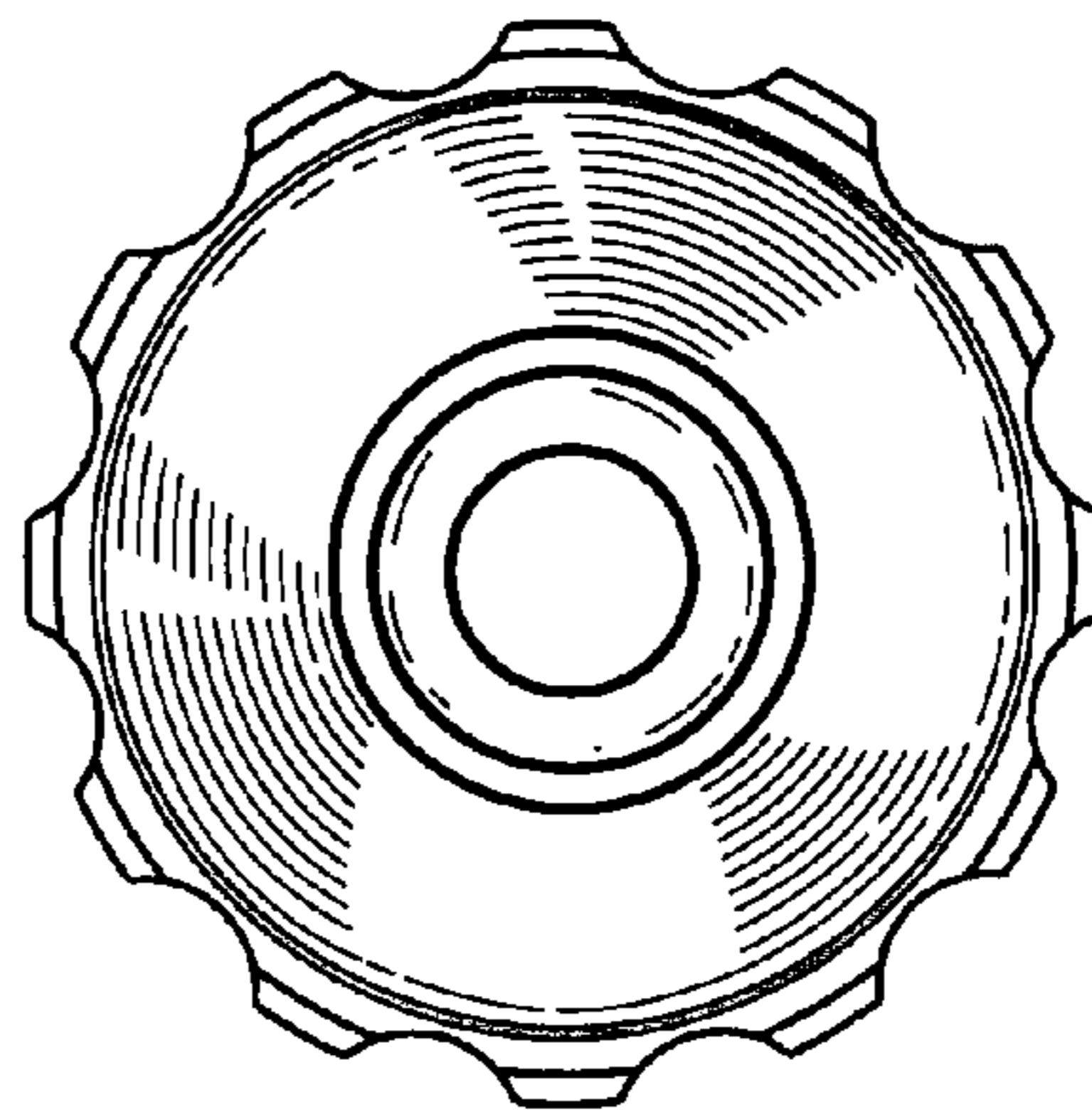


Fig. 4

Fig. 5



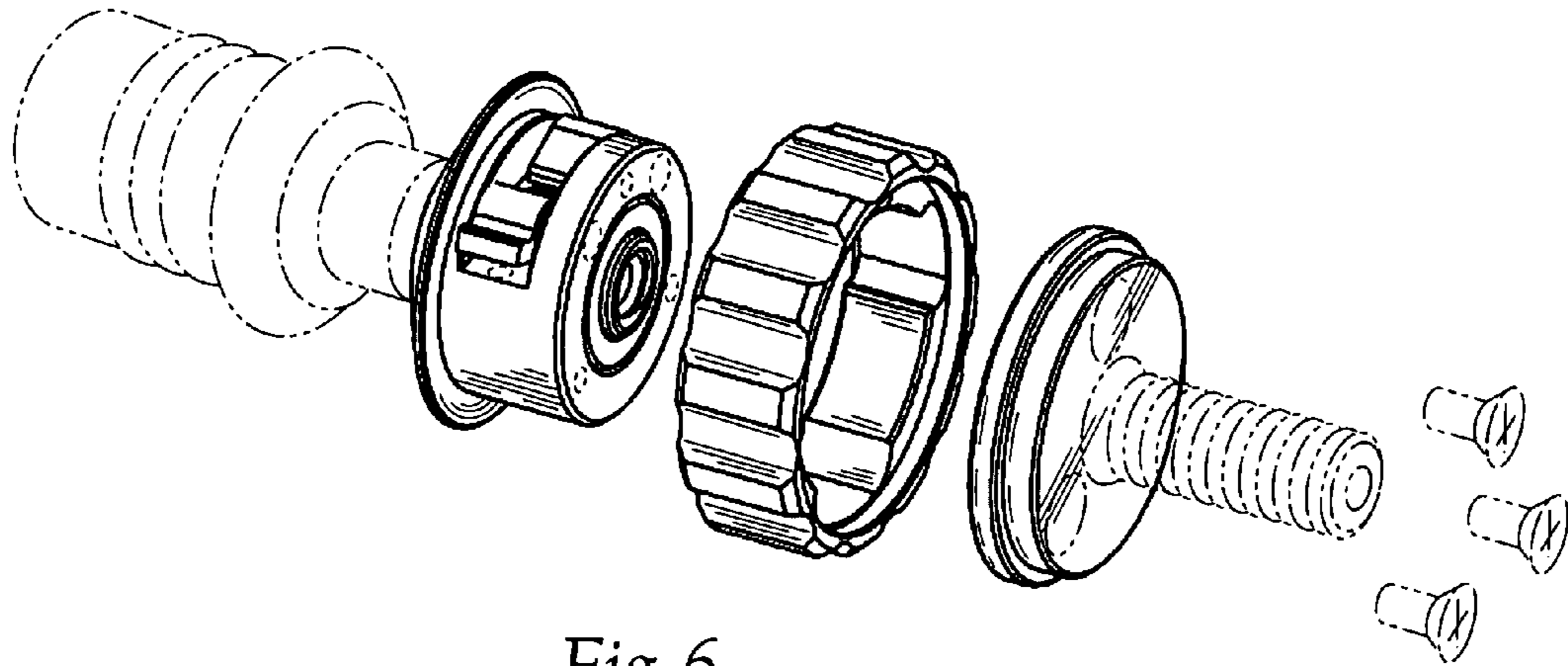


Fig. 6

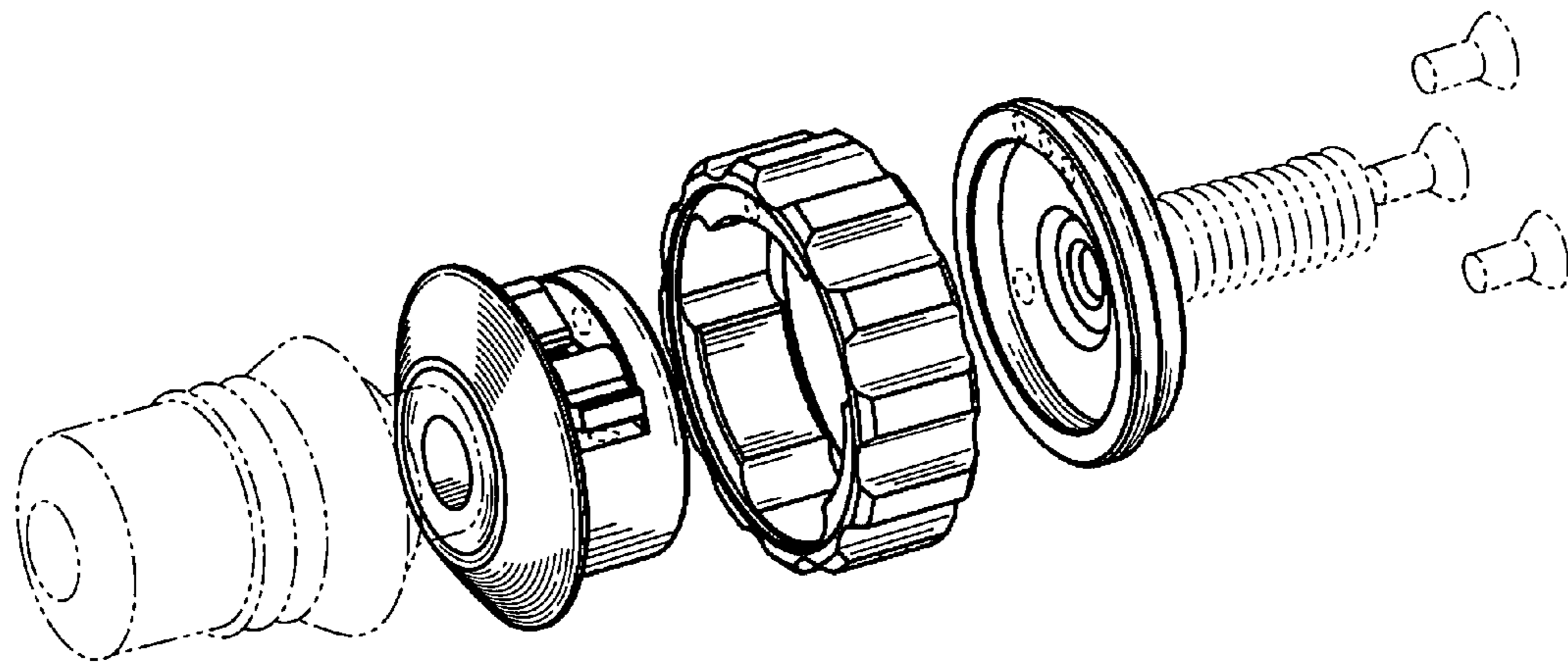


Fig. 7