



US00D562662S

(12) **United States Design Patent**
Maple et al.

(10) **Patent No.:** **US D562,662 S**

(45) **Date of Patent:** **** Feb. 26, 2008**

(54) **CIRCULAR SAW**

D531,473 S * 11/2006 Lopano D8/66

(75) Inventors: **Wade Andrew Farris Maple**, Portland, OR (US); **Alan Benjamin Christopher Dixon**, Palm Beach Gardens, FL (US)

* cited by examiner

Primary Examiner—Cathron C. Brooks

Assistant Examiner—Austin Murphy

(74) *Attorney, Agent, or Firm*—Robert Platt Bell

(73) Assignee: **Roofmates, Inc.**, Severn, MD (US)

(**) Term: **14 Years**

(57) **CLAIM**

(21) Appl. No.: **29/259,361**

The ornamental design for the circular saw, substantially as shown and described.

(22) Filed: **May 5, 2006**

DESCRIPTION

(51) **LOC (8) Cl.** **08-03**

FIG. 1 is a right side plan view of the circular saw of the present invention.

(52) **U.S. Cl.** **D8/66**

FIG. 2 is a left side plan view of the circular saw of the present invention.

(58) **Field of Classification Search** D8/69, D8/68, 67, 66, 64, 61, 70; 83/698.41, 747; 30/166.3, 374, 373, 375, 376, 391, 377, 390, 30/388, 389; 125/13.01; 144/218

FIG. 3 is a bottom side view of the circular saw of the present invention.

See application file for complete search history.

FIG. 4 is a top view of the circular saw of the present invention.

(56) **References Cited**

U.S. PATENT DOCUMENTS

| | | | | |
|----------------|--------|---------------|-------|--------|
| D390,081 S * | 2/1998 | Price et al. | | D8/66 |
| D427,872 S * | 7/2000 | Snider | | D8/66 |
| 6,543,143 B2 * | 4/2003 | Moore et al. | | 30/391 |
| D488,977 S * | 4/2004 | Evans | | D8/66 |
| 6,889,439 B2 * | 5/2005 | Koukal et al. | | 30/377 |
| D520,319 S * | 5/2006 | Aglassinger | | D8/66 |
| D520,830 S * | 5/2006 | Suzuki et al. | | D8/66 |
| D520,831 S * | 5/2006 | Okada et al. | | D8/66 |
| D521,336 S * | 5/2006 | Heun | | D8/66 |
| D527,599 S * | 9/2006 | Ng | | D8/66 |

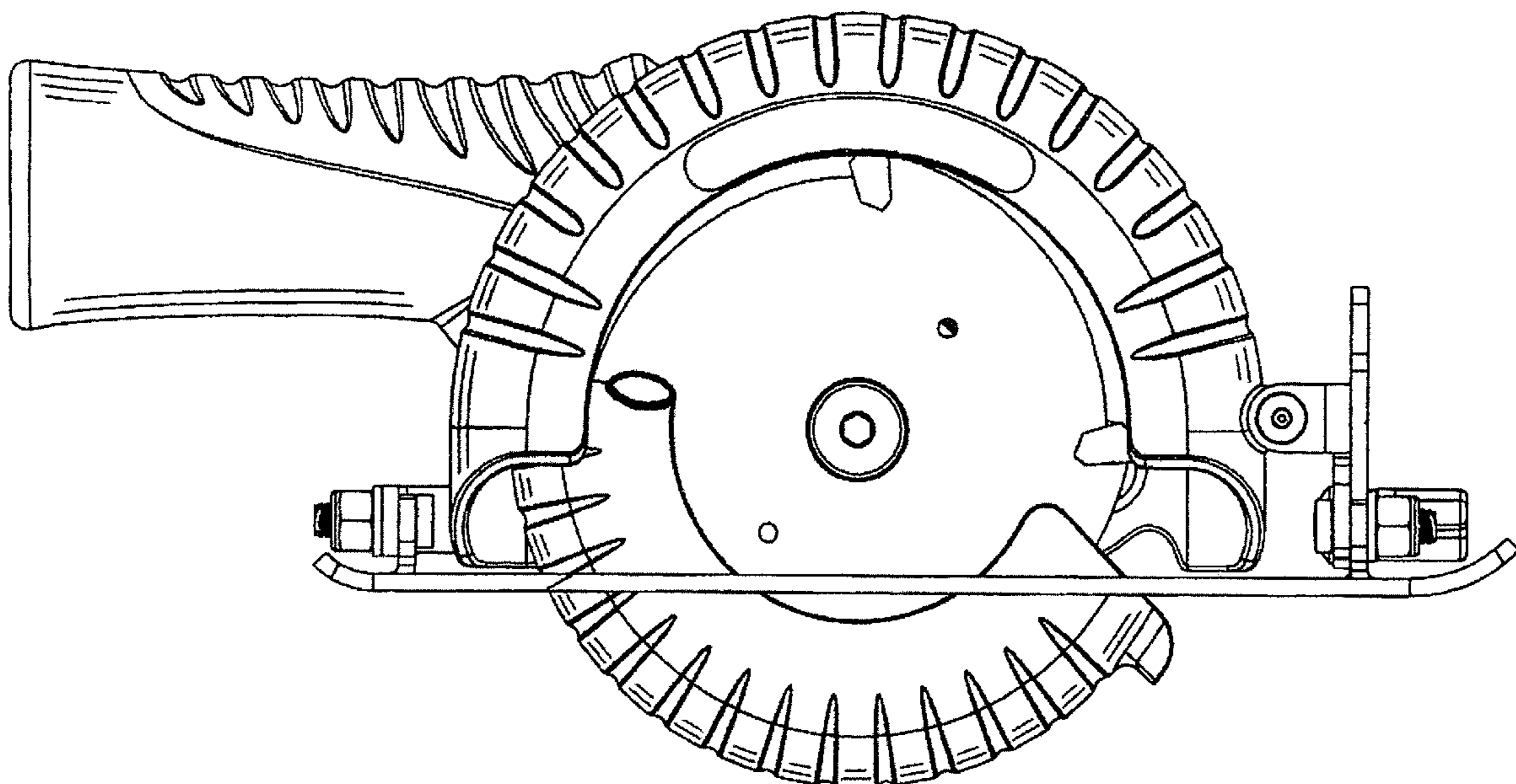
FIG. 5 is a rear elevational view of the circular saw of the present invention.

FIG. 6 is a front view of the circular saw of the present invention.

FIG. 7 is a rear perspective view of the circular saw of the present invention; and,

FIG. 8 is a front perspective view of the circular saw of the present invention.

1 Claim, 8 Drawing Sheets



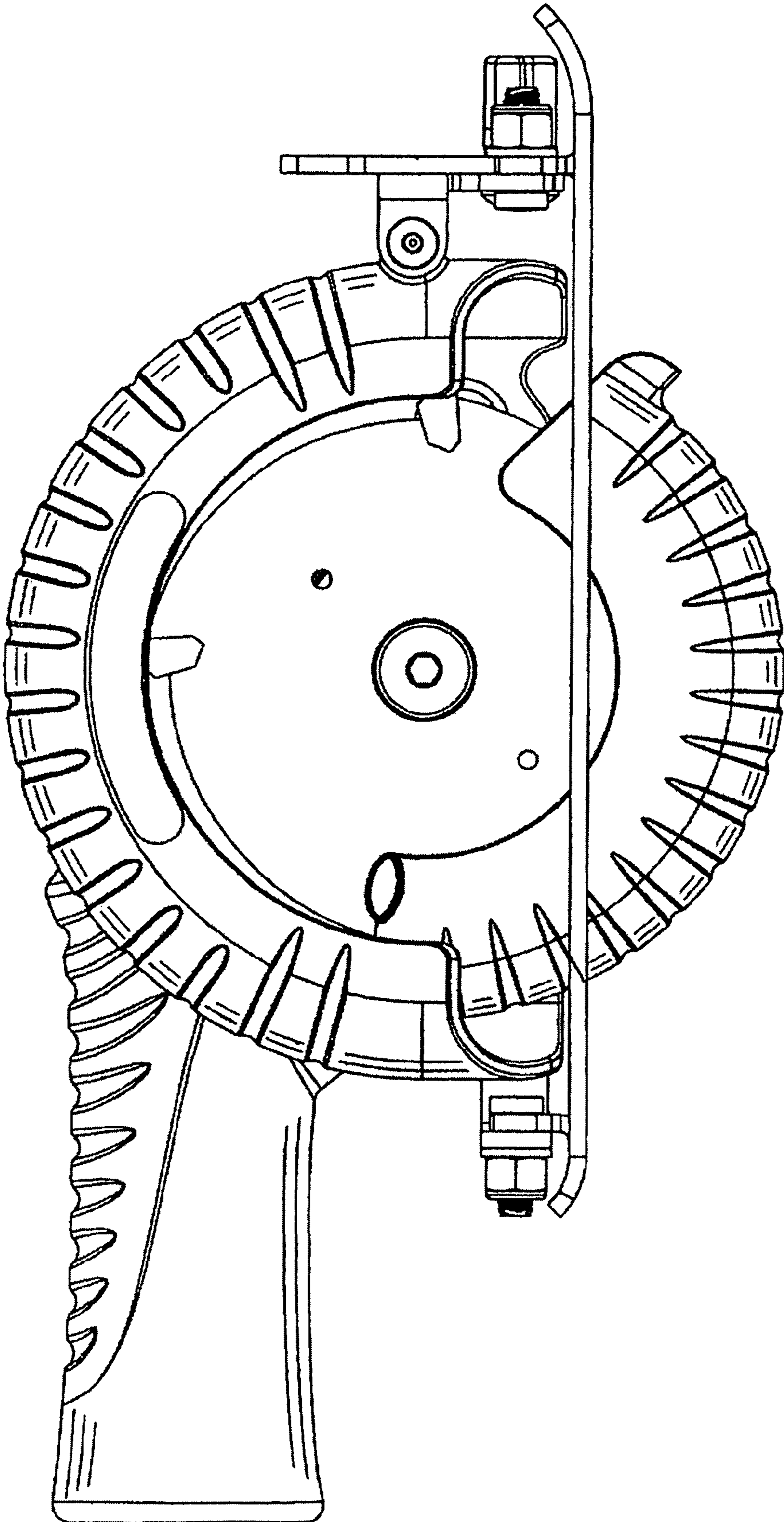


FIG. 1

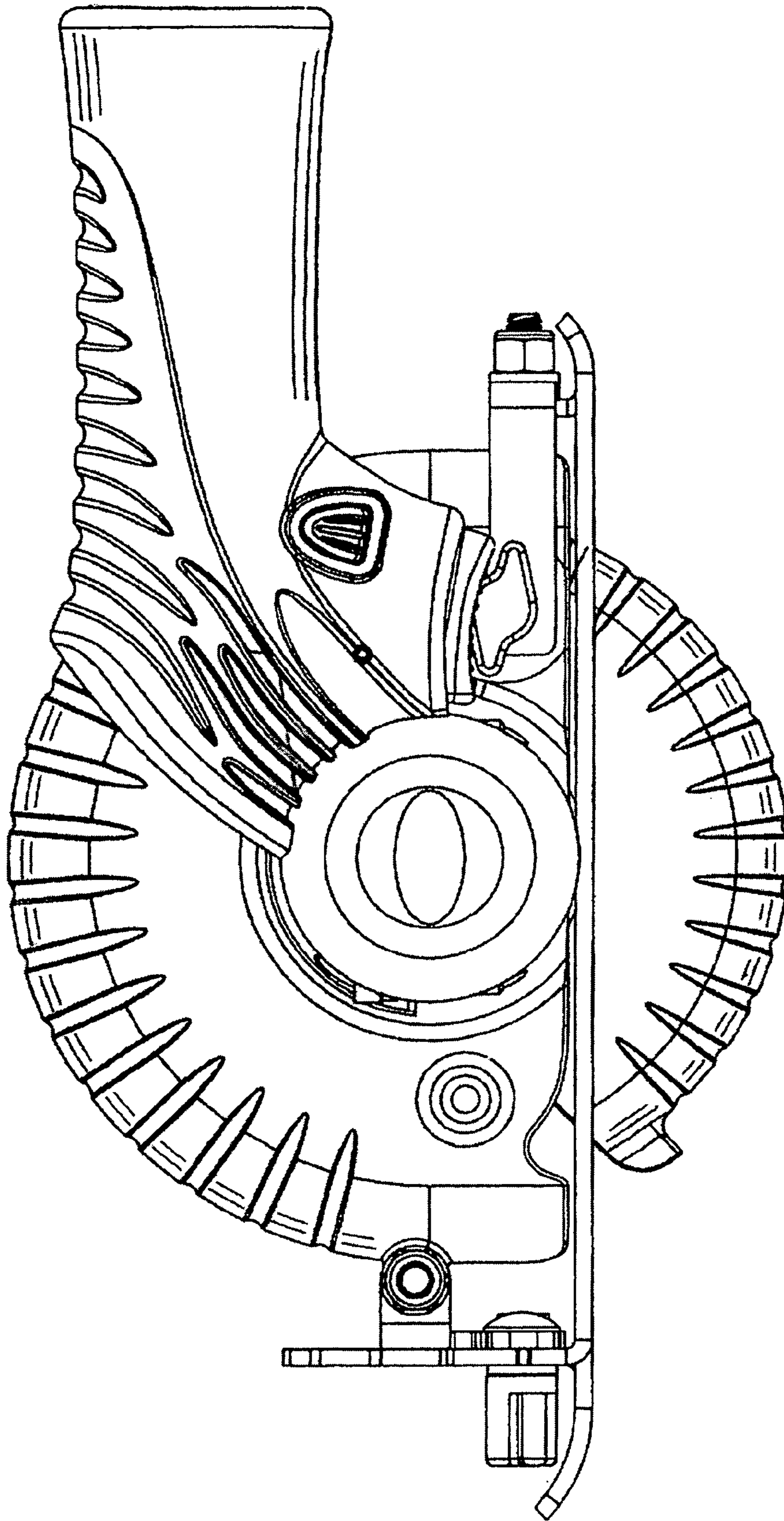


FIG. 2

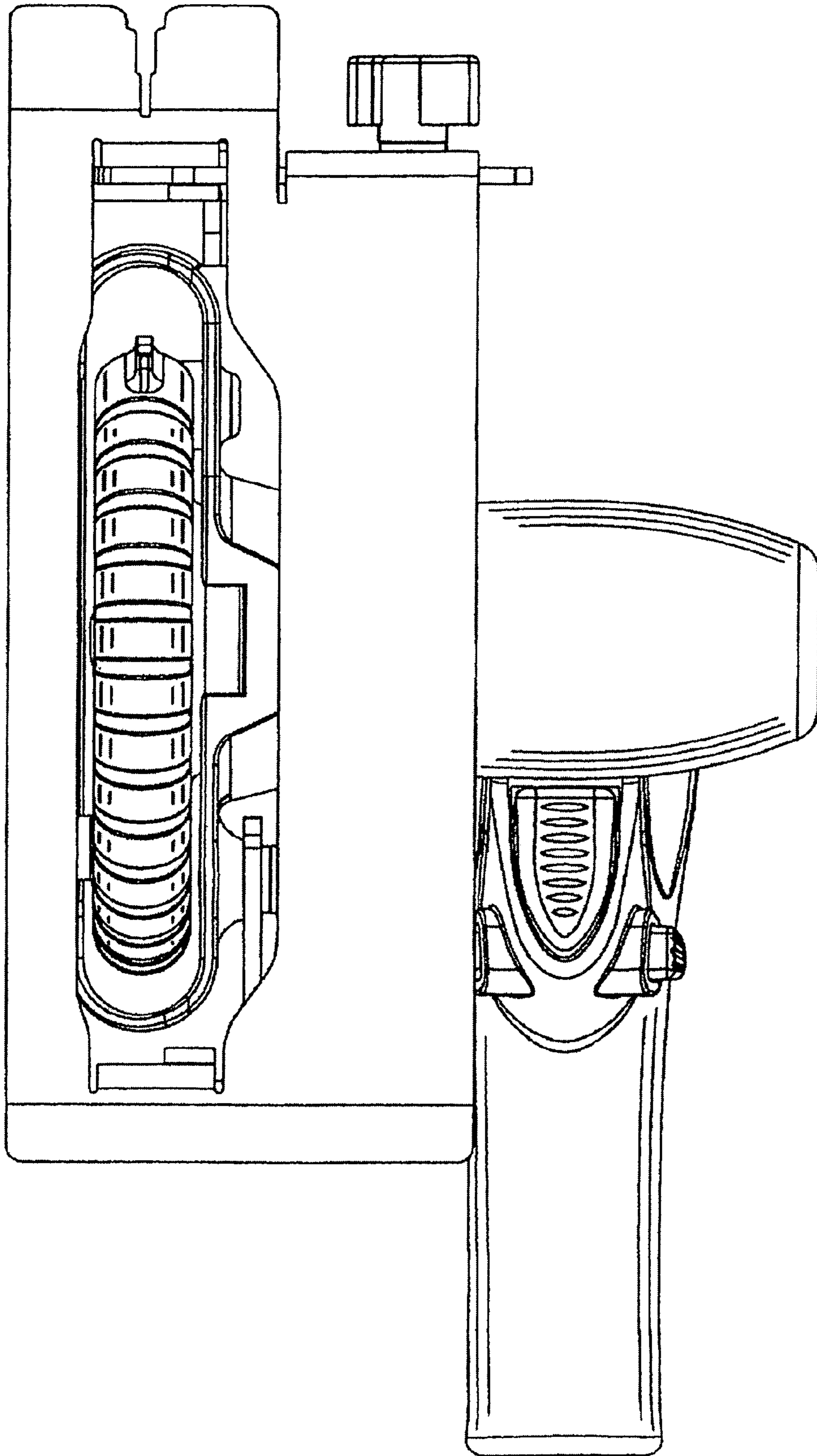


FIG. 3

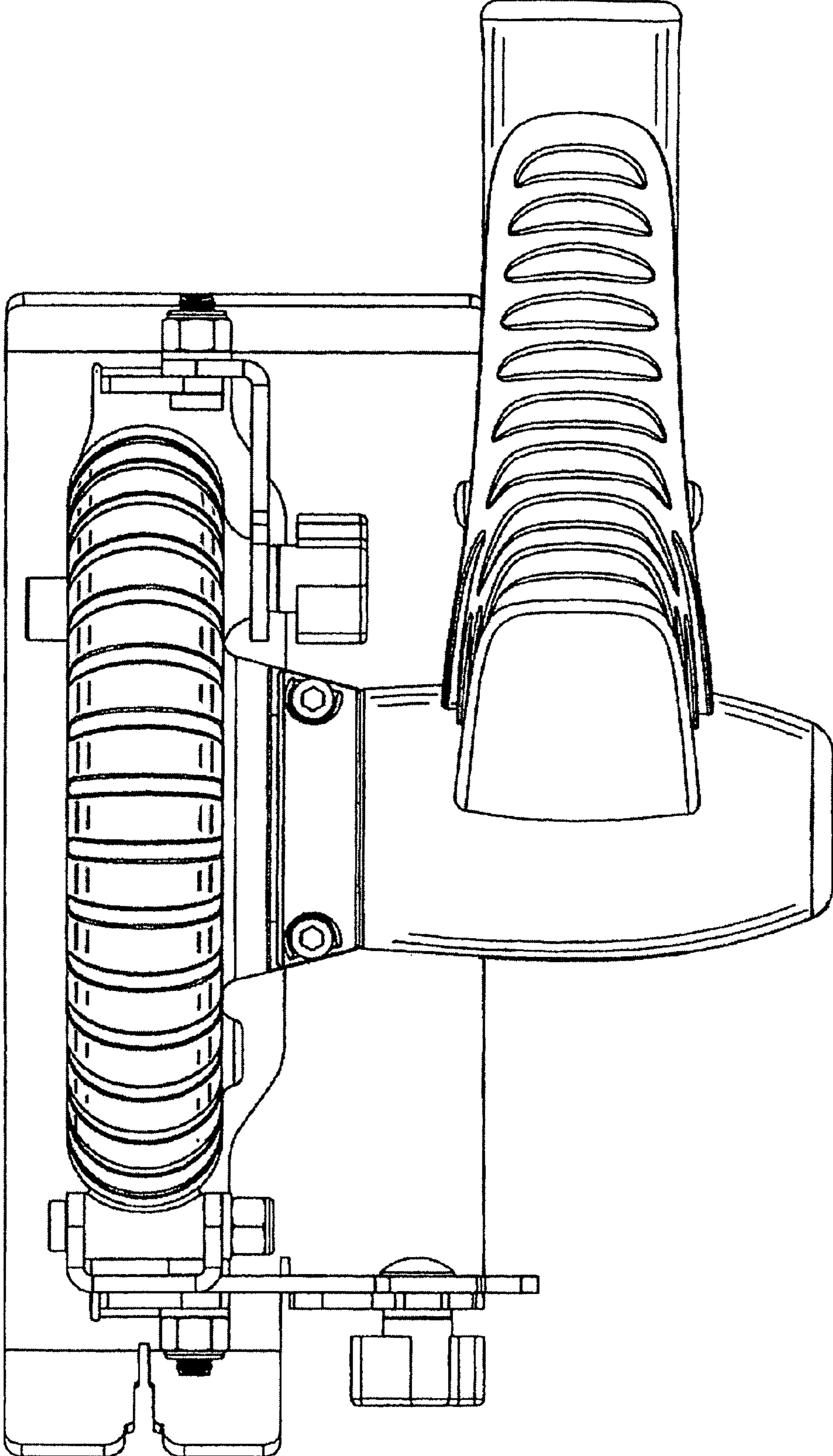


FIG. 4

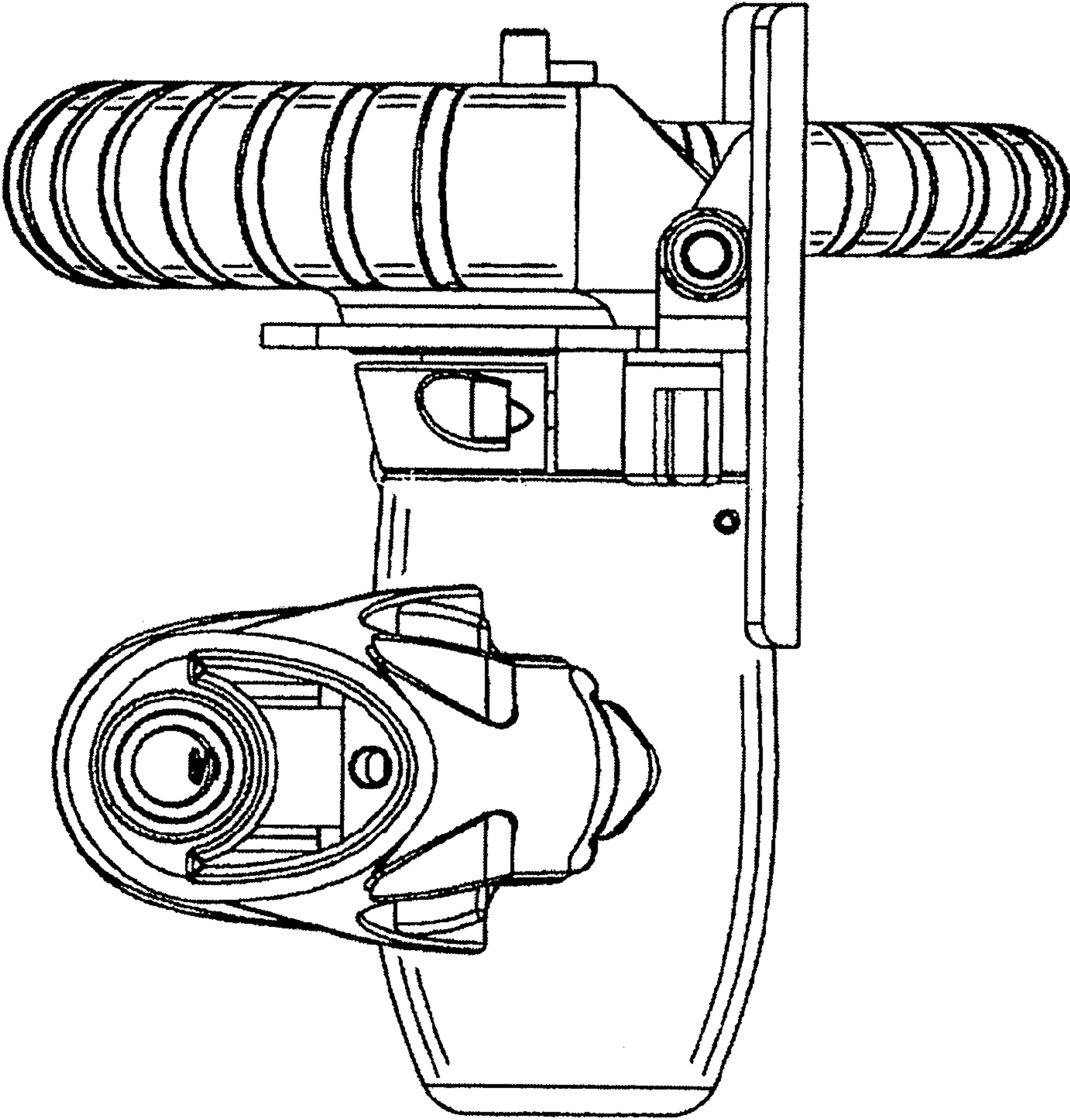


FIG. 5

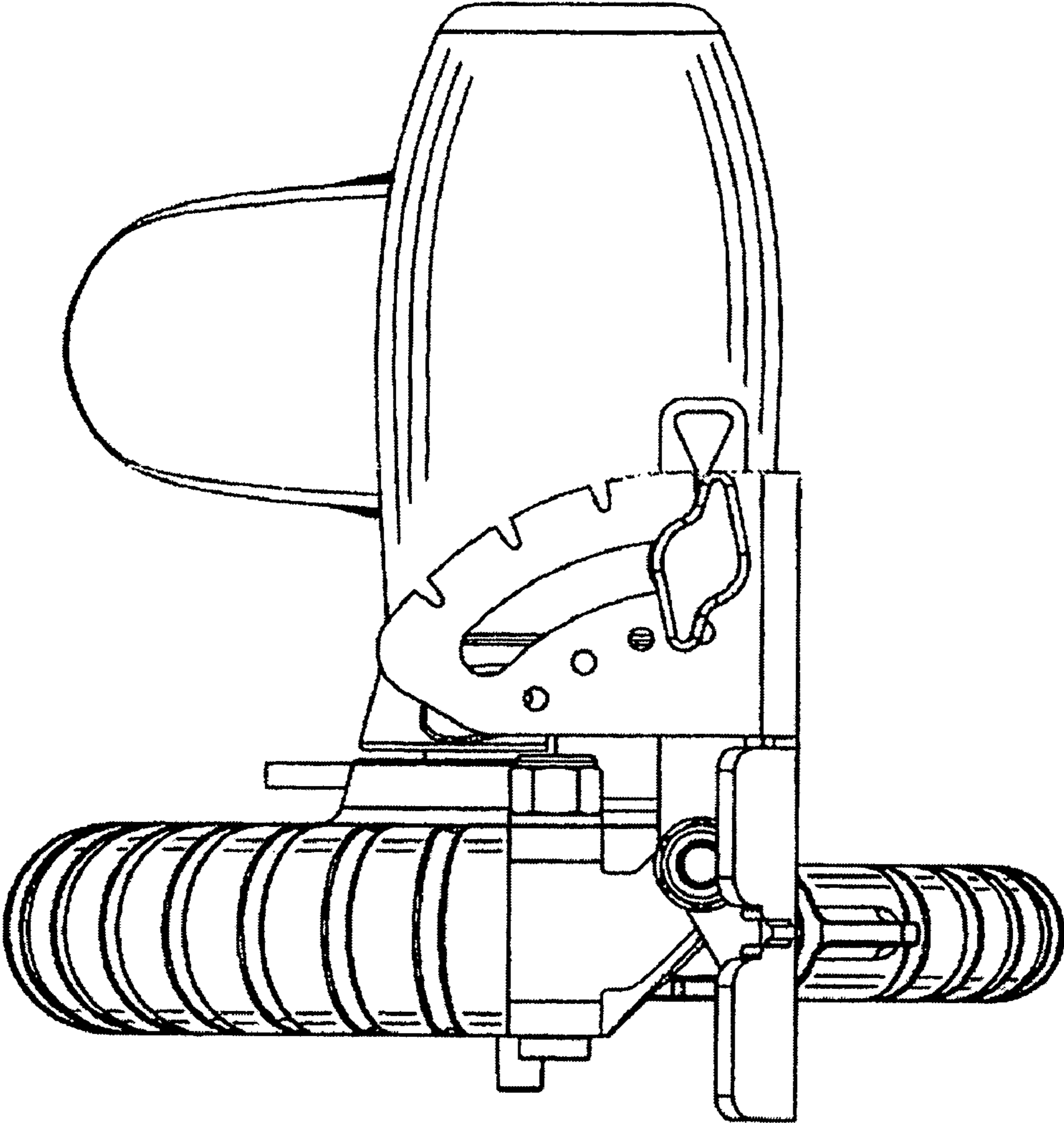


FIG. 6

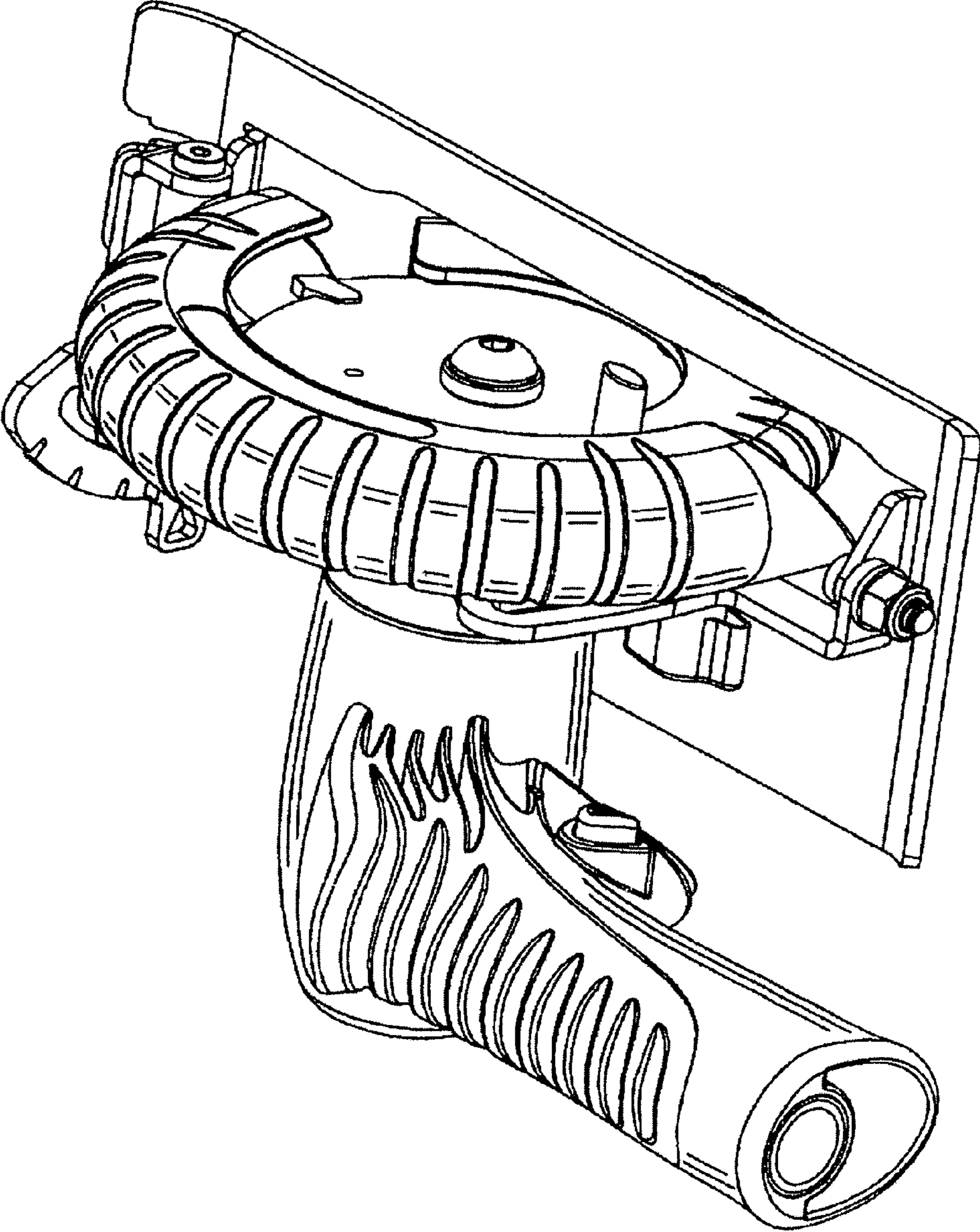


FIG. 7

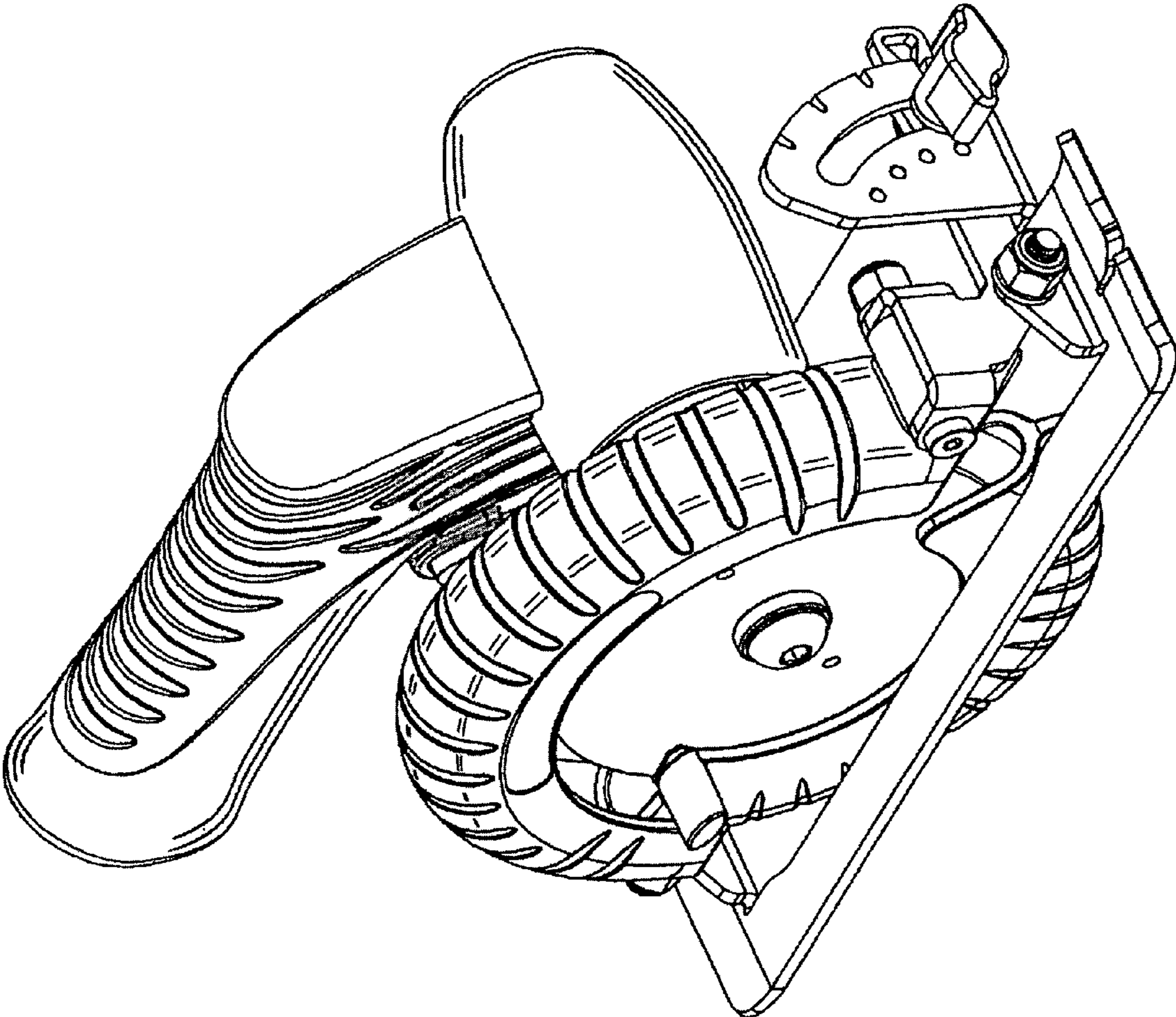


FIG. 8