



US00D562661S

(12) **United States Design Patent**
Weems et al.

(10) **Patent No.:** **US D562,661 S**
(45) **Date of Patent:** **** Feb. 26, 2008**

(54) **AIRGUN BODY**

(75) Inventors: **R. Mark Weems**, Marion, IA (US);
Don R. Linkletter, Cedar Rapids, IA (US)

(73) Assignee: **Weems Industries, Inc.**, Marion, IA (US)

(**) Term: **14 Years**

(21) Appl. No.: **29/222,553**

(22) Filed: **Feb. 1, 2005**

(51) **LOC (8) Cl.** **08-04**

(52) **U.S. Cl.** **D8/61**

(58) **Field of Classification Search** D8/61,
D8/62, 68, 70, 83, 107; D23/223, 226; D12/179;
81/57.14, 57.26, 57.29, 57.39, 57.42, 63.1,
81/429, 464, 467, 469, 470, 473; 173/168,
173/169, 170, 176, 177, 178, 181, 216, 217;
73/862.21; 310/50

See application file for complete search history.

(56) **References Cited**

U.S. PATENT DOCUMENTS

4,611,500	A *	9/1986	Nagano	74/489
4,909,094	A *	3/1990	Yoshigai	74/489
5,044,564	A *	9/1991	Sickles	239/690.1
D356,478	S *	3/1995	Heskey et al.	D8/61
D358,450	S *	5/1995	Casey	D23/223
D372,517	S *	8/1996	Farnsteiner	D23/223
D386,734	S *	11/1997	Nishimura	D12/179
D387,129	S *	12/1997	Shiao	D23/226
D387,648	S *	12/1997	Liao	D8/61
D398,954	S	9/1998	Jou	
D407,048	S *	3/1999	Benktzon et al.	D12/179
6,089,471	A *	7/2000	Scholl	239/300

6,213,411	B1	4/2001	Jou	
D465,395	S *	11/2002	Hung	D8/61
D468,176	S *	1/2003	Morgan	D8/61
D492,176	S *	6/2004	Chen	D8/61
6,892,963	B1 *	5/2005	Scarpa et al.	239/424.5
D515,895	S *	2/2006	Chen	D8/68

* cited by examiner

Primary Examiner—Cathron C. Brooks

Assistant Examiner—Austin Murphy

(74) *Attorney, Agent, or Firm*—Brian J. Laurenzo; Jason M. Hunt

(57) **CLAIM**

We claim the ornamental design for an airgun body, substantially as shown and described.

DESCRIPTION

FIG. 1 is a perspective view of an airgun body according to the present invention;

FIG. 2 is a right side elevation view of the airgun body of FIG. 1;

FIG. 3 is rear elevation view of the airgun body of FIG. 1;

FIG. 4 is a front elevation view of the airgun body of FIG. 1;

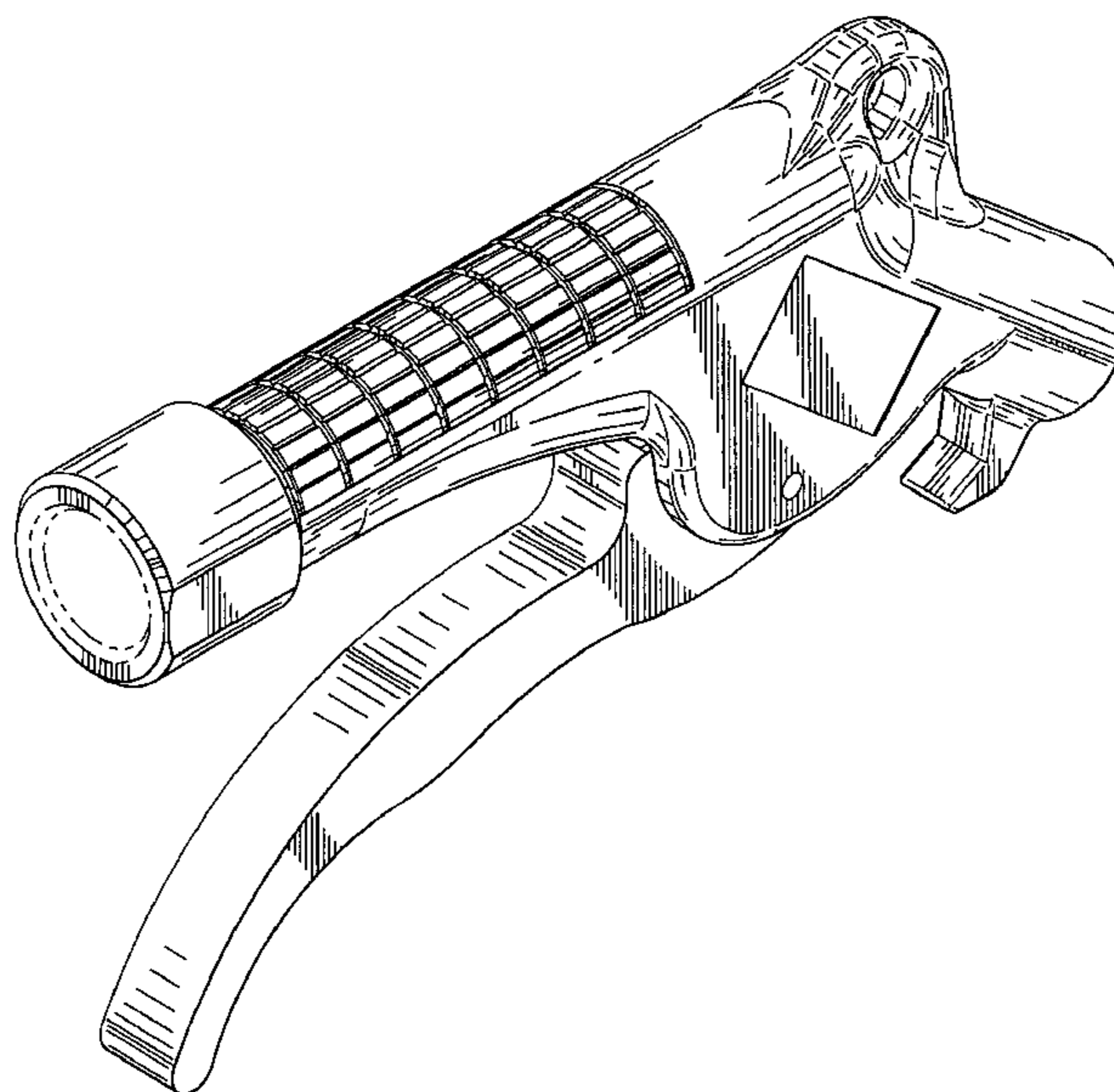
FIG. 5 is bottom plan view of the airgun body of FIG. 1; and,

FIG. 6 is a top plan view of the airgun body of FIG. 1.

The broken lines in the Drawings are for illustrative purposes only in order to show the environment in which the design is associated and form no part of the claimed design.

The left side elevation view is a mirror image of the right side elevation view, and hand therefore not been shown separately in the Drawings.

1 Claim, 4 Drawing Sheets



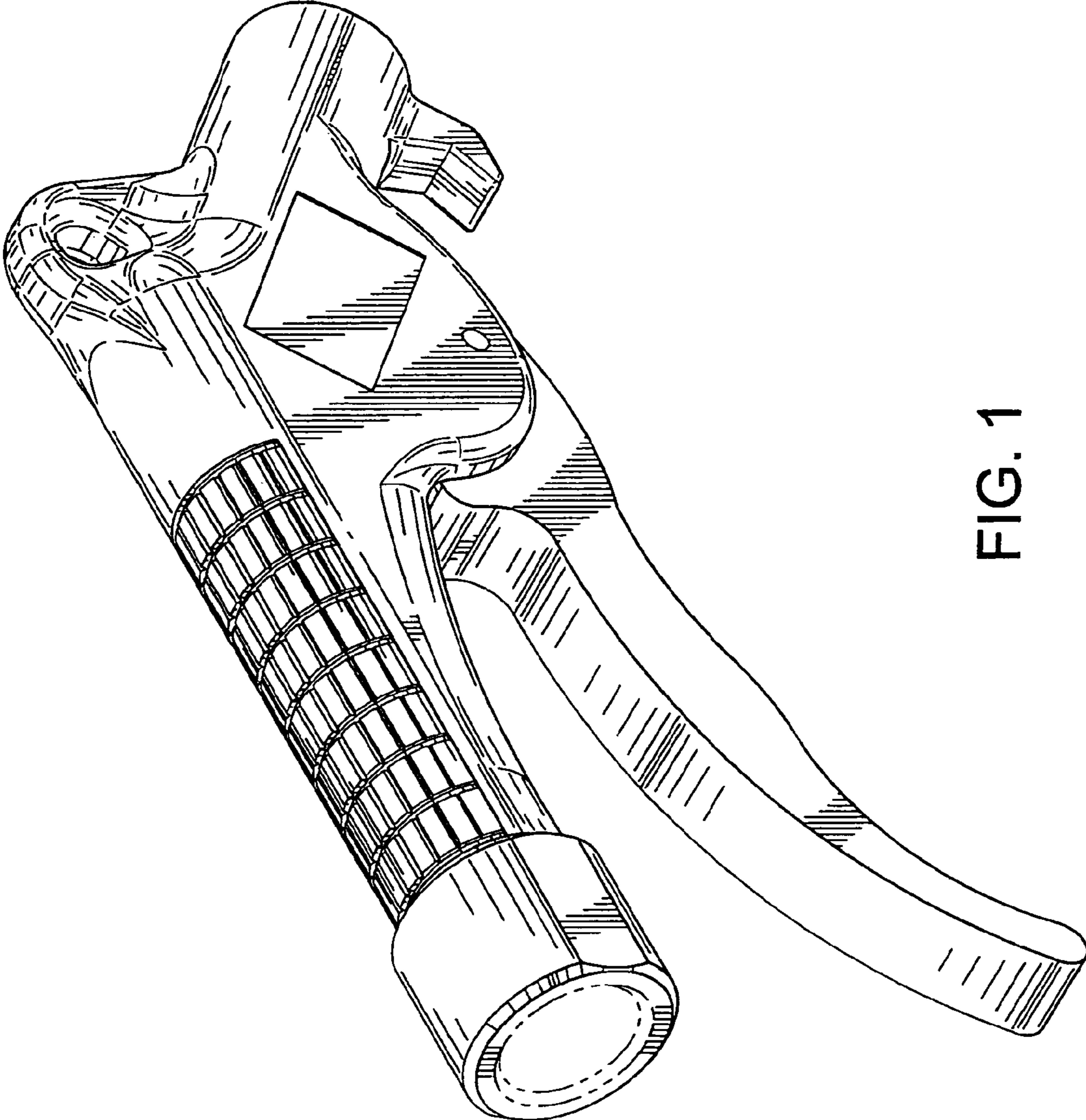


FIG. 1

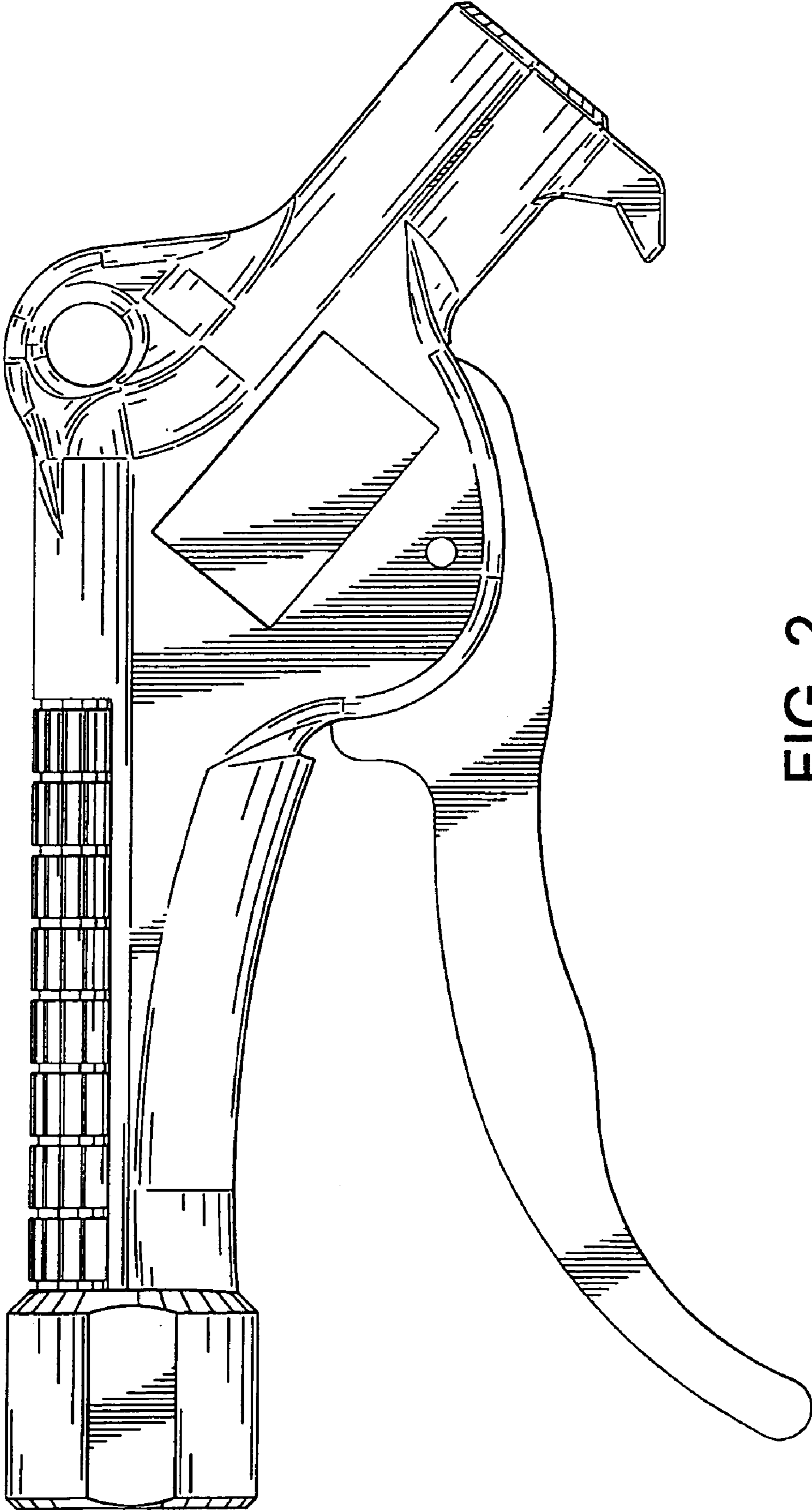


FIG. 2

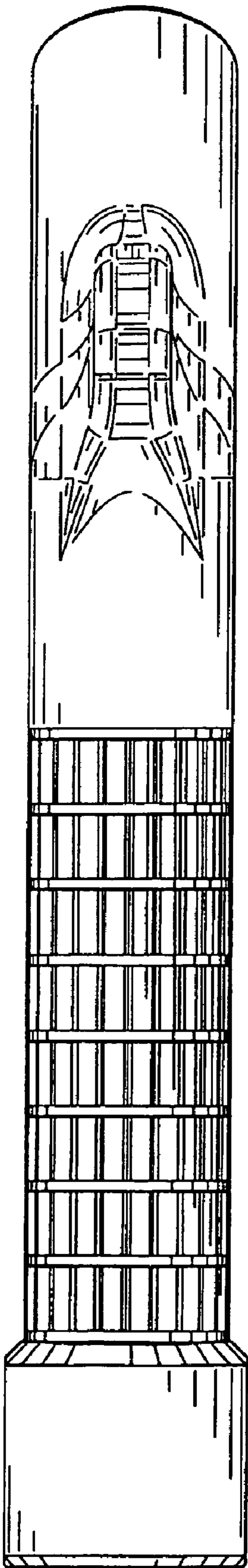


FIG. 3

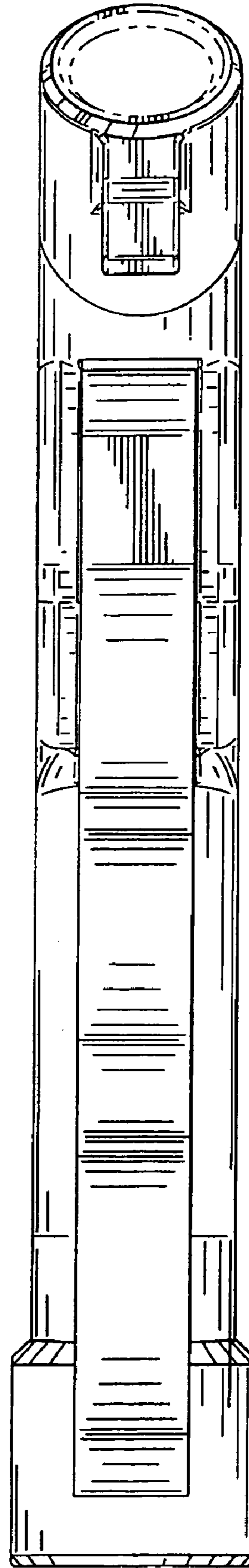


FIG. 4

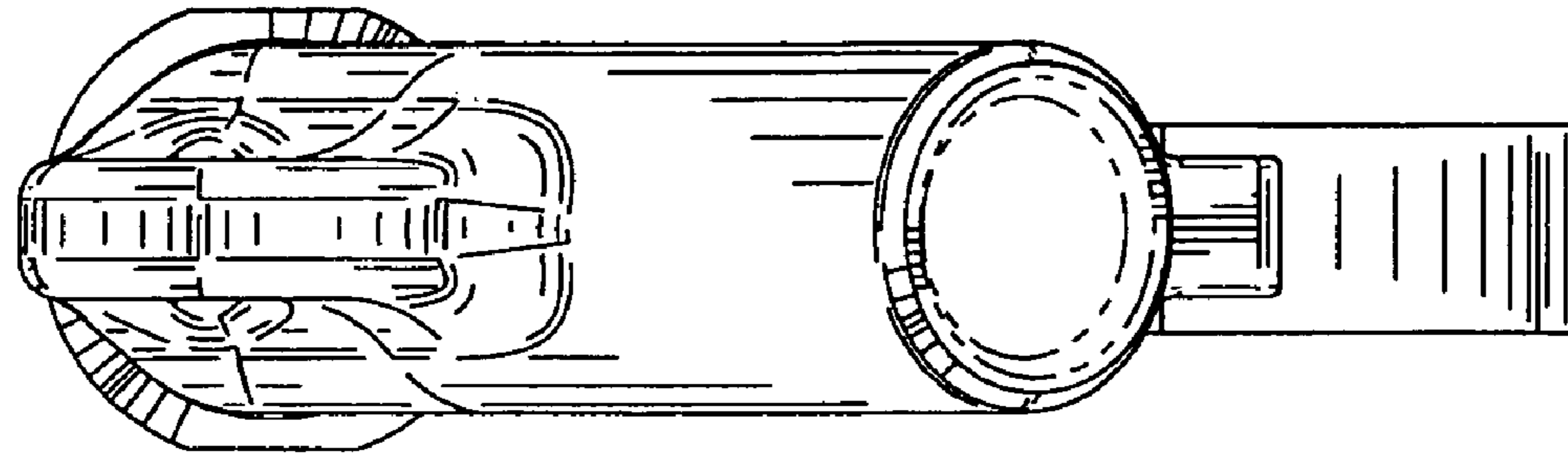


FIG. 5

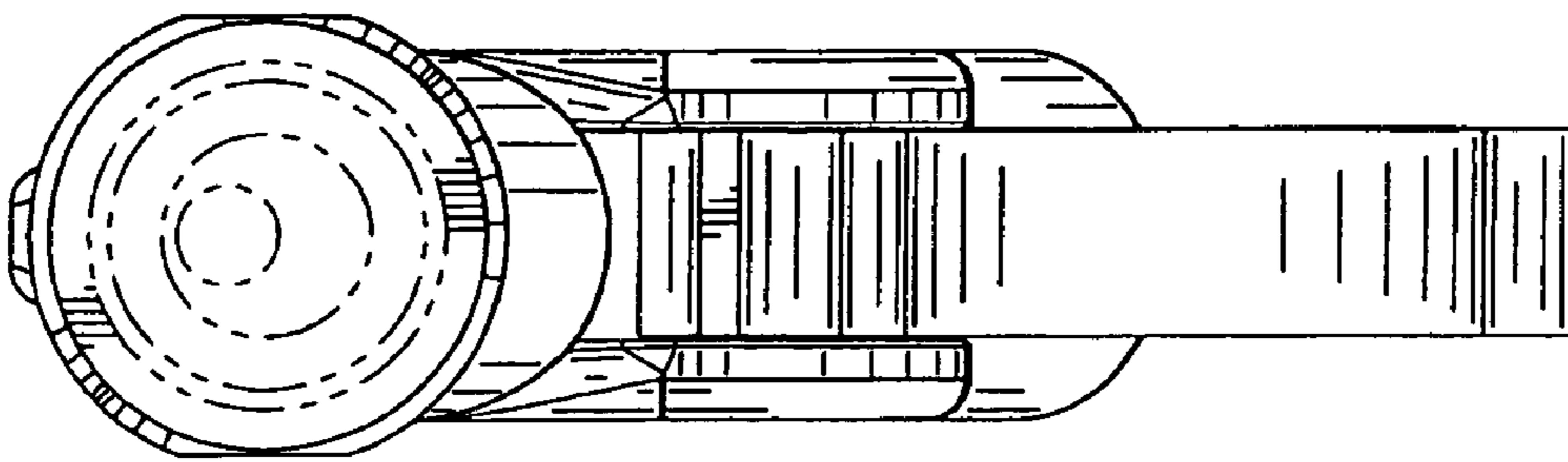


FIG. 6