



US00D562659S

(12) **United States Design Patent**  
**Davies et al.**

(10) **Patent No.:** **US D562,659 S**

(45) **Date of Patent:** **\*\* Feb. 26, 2008**

(54) **AUTOMOBILE BODYWORK REPAIR DOLLY**

D43,692 S \* 3/1913 Ermich ..... D8/46  
4,078,291 A \* 3/1978 Broemmelsiek ..... 29/283  
D438,072 S \* 2/2001 Karlsson ..... D8/14

(76) Inventors: **Robert Anthony Davies**, 12 Northend Avenue, Bristol (GB) BS15 1UD;  
**Edward Arnold Davies**, 12 Northend Avenue, Bristol (GB) BS15 1UD

\* cited by examiner

*Primary Examiner*—Cynthia E Ramirez

(\*\*) Term: **14 Years**

(21) Appl. No.: **29/263,599**

(22) Filed: **Jul. 27, 2006**

(57) **CLAIM**

The ornamental design for an automobile bodywork repair dolly, as shown and described.

(51) **LOC (8) Cl.** ..... **08-05**

(52) **U.S. Cl.** ..... **D8/46**

(58) **Field of Classification Search** ..... D34/12-27;  
D8/16, 19, 46, 47, 50; D32/46, 47, 49; 72/476;  
29/283

See application file for complete search history.

**DESCRIPTION**

FIG. 1 is a perspective view of my new design for an automobile bodywork repair dolly showing a front of the dolly, the back being identical to the front, and therefore a view from the back not being shown;

FIG. 2 is a bottom view thereof;

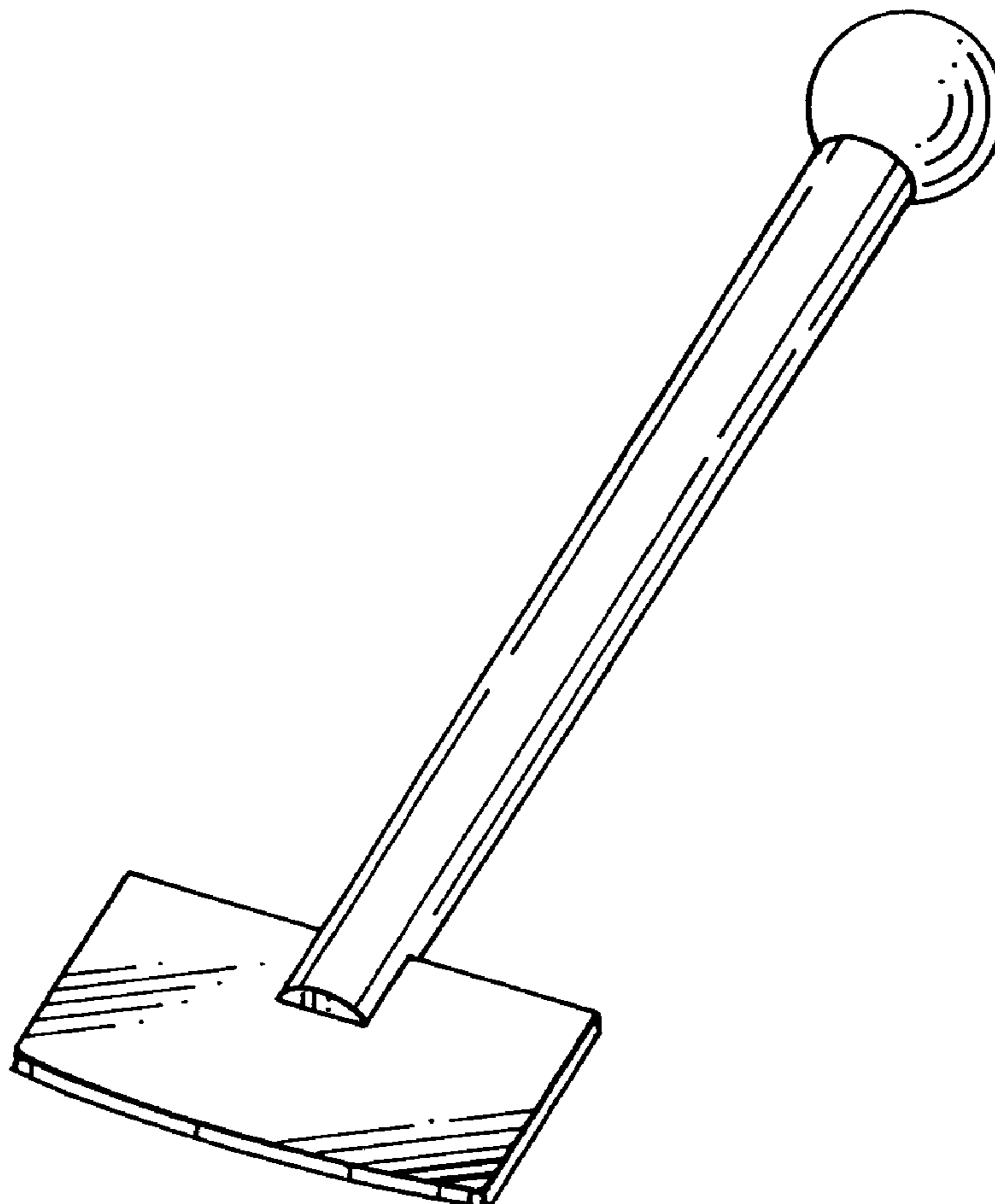
FIG. 3 is a top view thereof.

(56) **References Cited**

U.S. PATENT DOCUMENTS

285,991 A \* 10/1883 French ..... 279/99

**1 Claim, 1 Drawing Sheet**



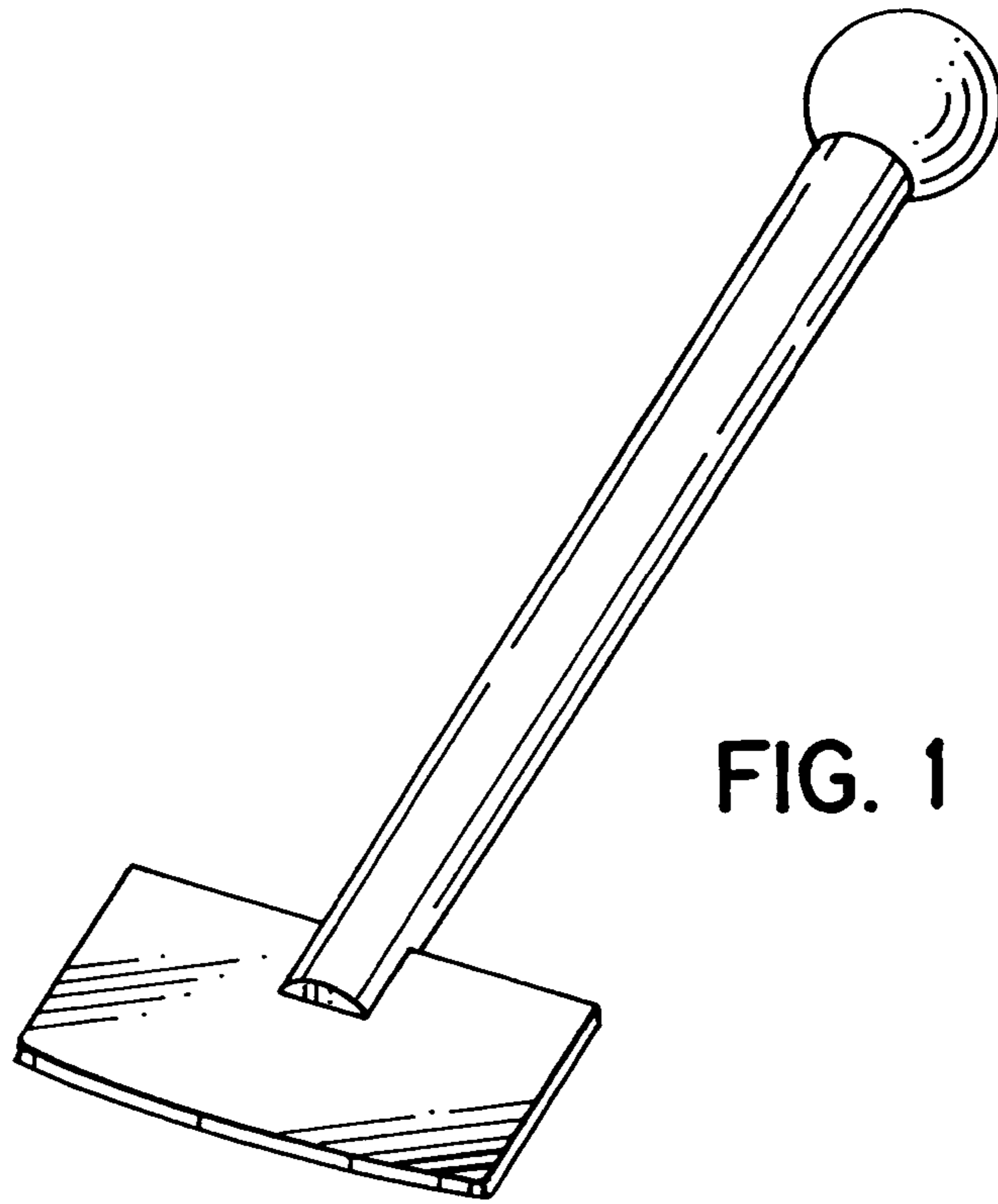


FIG. 1

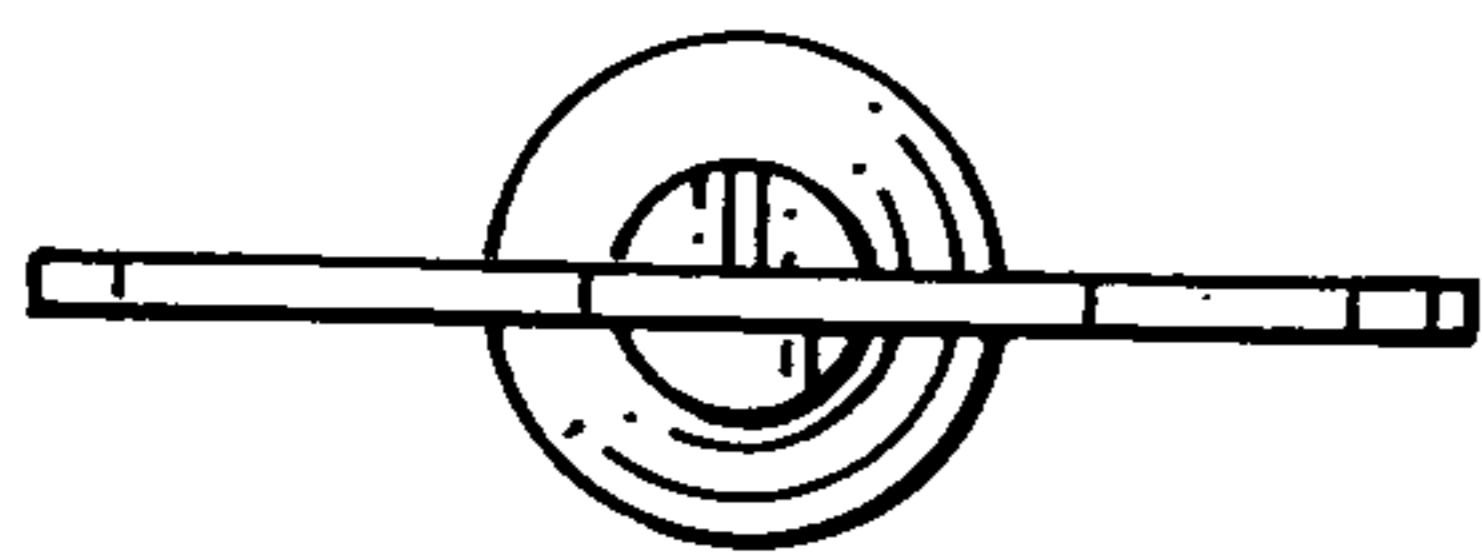


FIG. 2

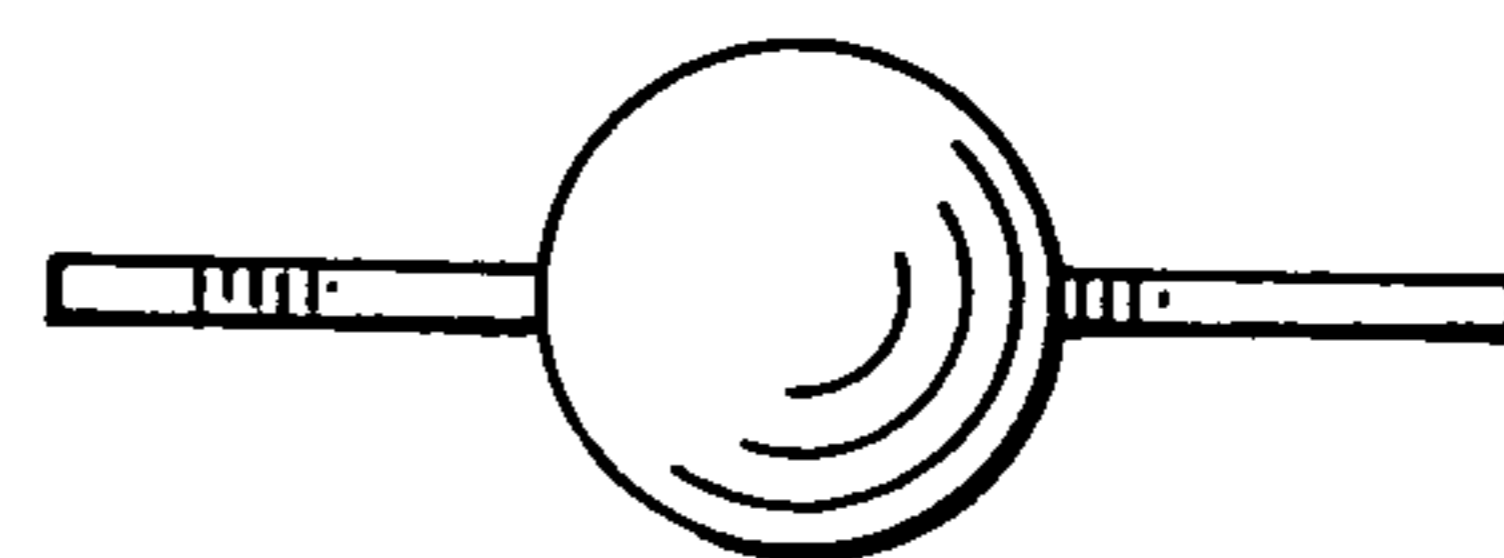


FIG. 3