



US00D562658S

(12) **United States Design Patent**
So

(10) **Patent No.:** **US D562,658 S**

(45) **Date of Patent:** **** Feb. 26, 2008**

(54) **CAN OPENER**

(75) Inventor: **Shun So**, Kowloon (HK)

(73) Assignee: **Union Lucky Industrial Limited**,
Hong Kong (HK)

(**) Term: **14 Years**

(21) Appl. No.: **29/279,077**

(22) Filed: **Apr. 19, 2007**

(30) **Foreign Application Priority Data**

Feb. 27, 2007 (HK) 0700555

(51) **LOC (8) Cl.** **07-99**

(52) **U.S. Cl.** **D8/41**

(58) **Field of Classification Search** D7/372,
D7/414, 680; D8/14, 18, 33, 36, 38-41;
7/151, 152, 154, 156; 30/400-405, 408-410,
30/415-427, 433, 434; 81/3.07, 3.2, 3.31
See application file for complete search history.

(56) **References Cited**

U.S. PATENT DOCUMENTS

D405,332 S	2/1999	So	
D406,026 S	2/1999	So	
D406,027 S	2/1999	So	
D409,888 S	5/1999	So	
D410,180 S	5/1999	So	
D442,044 S *	5/2001	Juhlin et al. D8/39
D466,771 S *	12/2002	Chang D8/41
6,647,631 B2	11/2003	So	

D501,772 S *	2/2005	Overthun et al. D8/40
6,851,195 B2	2/2005	So	
D513,950 S	1/2006	So	
D521,827 S	5/2006	So	

OTHER PUBLICATIONS

U.S. Appl. No. 29/263,102, filed Jul. 17, 2006, So.

* cited by examiner

Primary Examiner—Robert M. Spear

Assistant Examiner—Garth Rademaker

(74) *Attorney, Agent, or Firm*—Leydig, Voit & Mayer, Ltd.

(57) **CLAIM**

I claim the ornamental design for a can opener, as shown and described.

DESCRIPTION

FIG. 1 is a top, front, right side perspective view of a can opener according to my new invention;

FIG. 2 is a top, rear, left side perspective view thereof;

FIG. 3 is a bottom, front, left side perspective view thereof;

FIG. 4 is a bottom, rear, right side perspective view thereof;

FIG. 5 is a top view thereof;

FIG. 6 is a bottom view thereof;

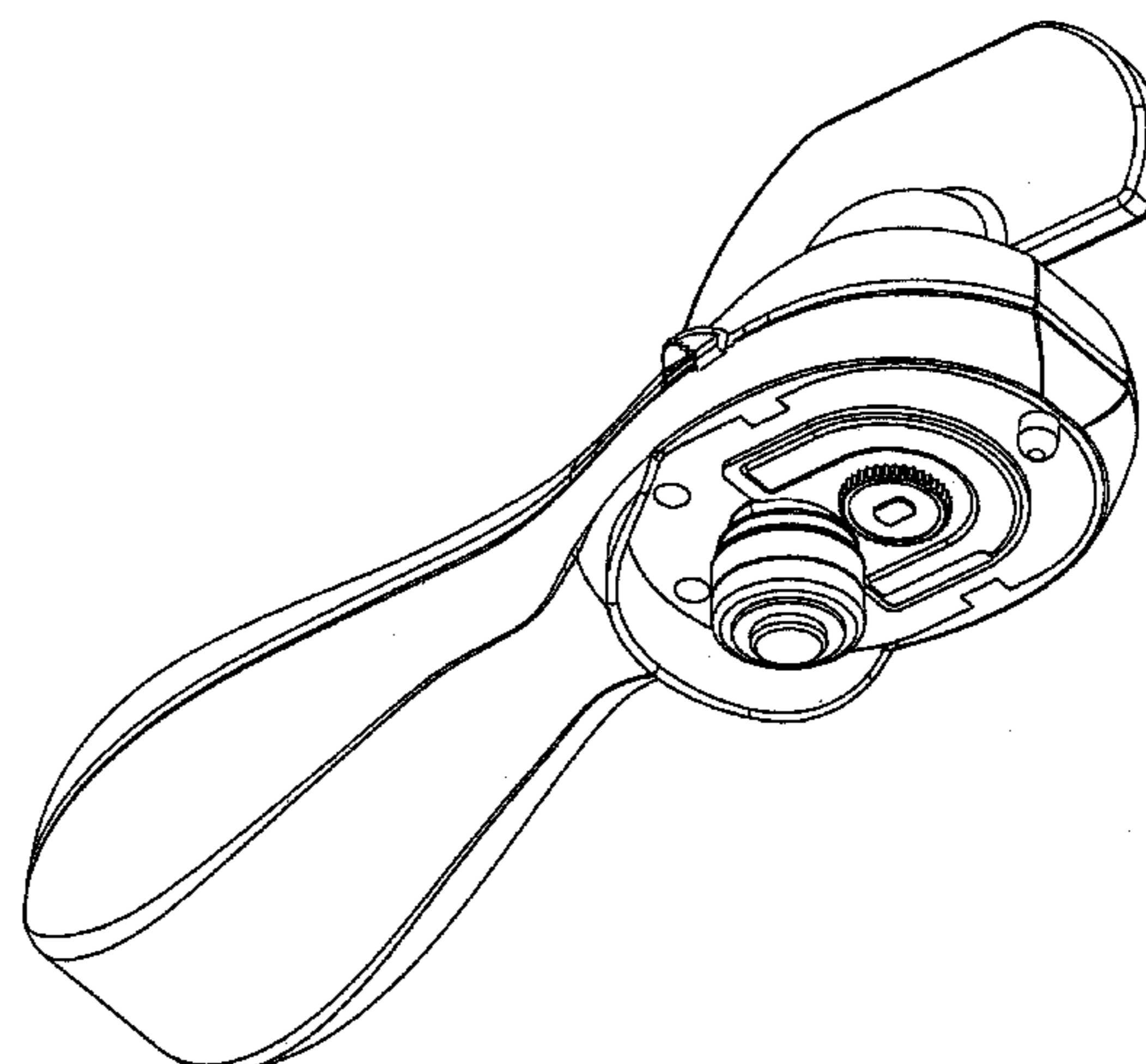
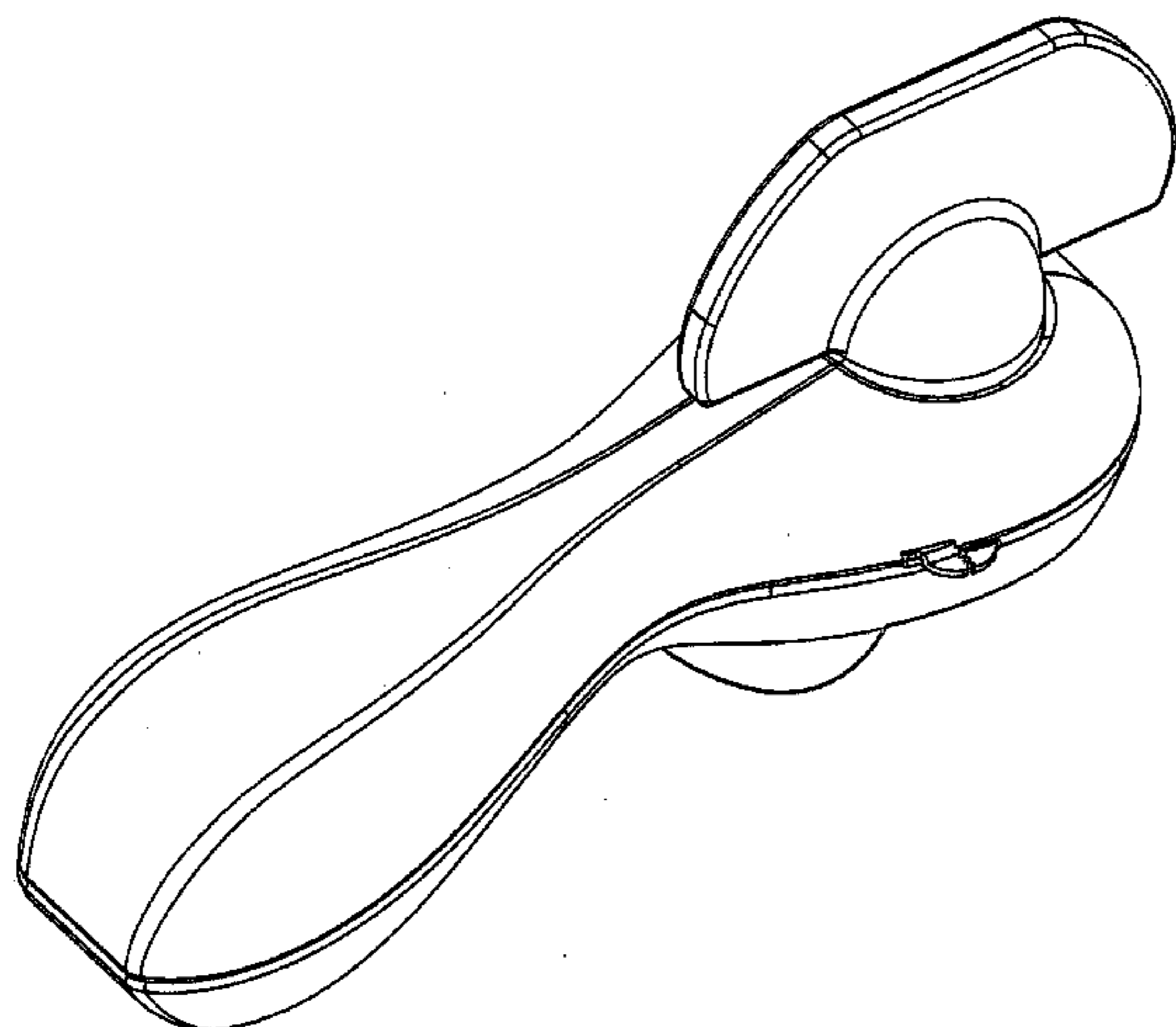
FIG. 7 is a right side view thereof;

FIG. 8 is a left side view thereof;

FIG. 9 is a front view thereof; and,

FIG. 10 is a rear view thereof.

1 Claim, 8 Drawing Sheets



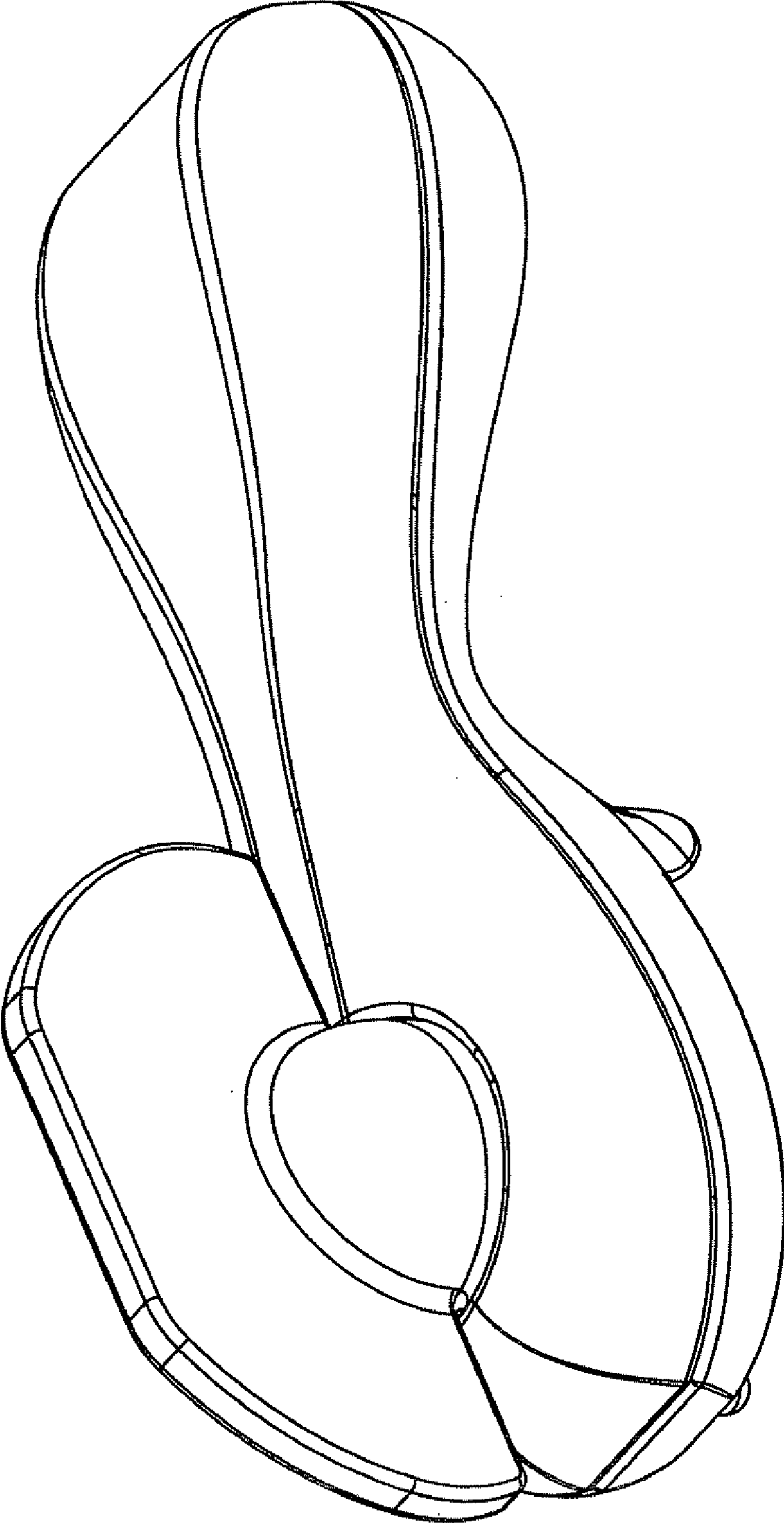


FIG. 1

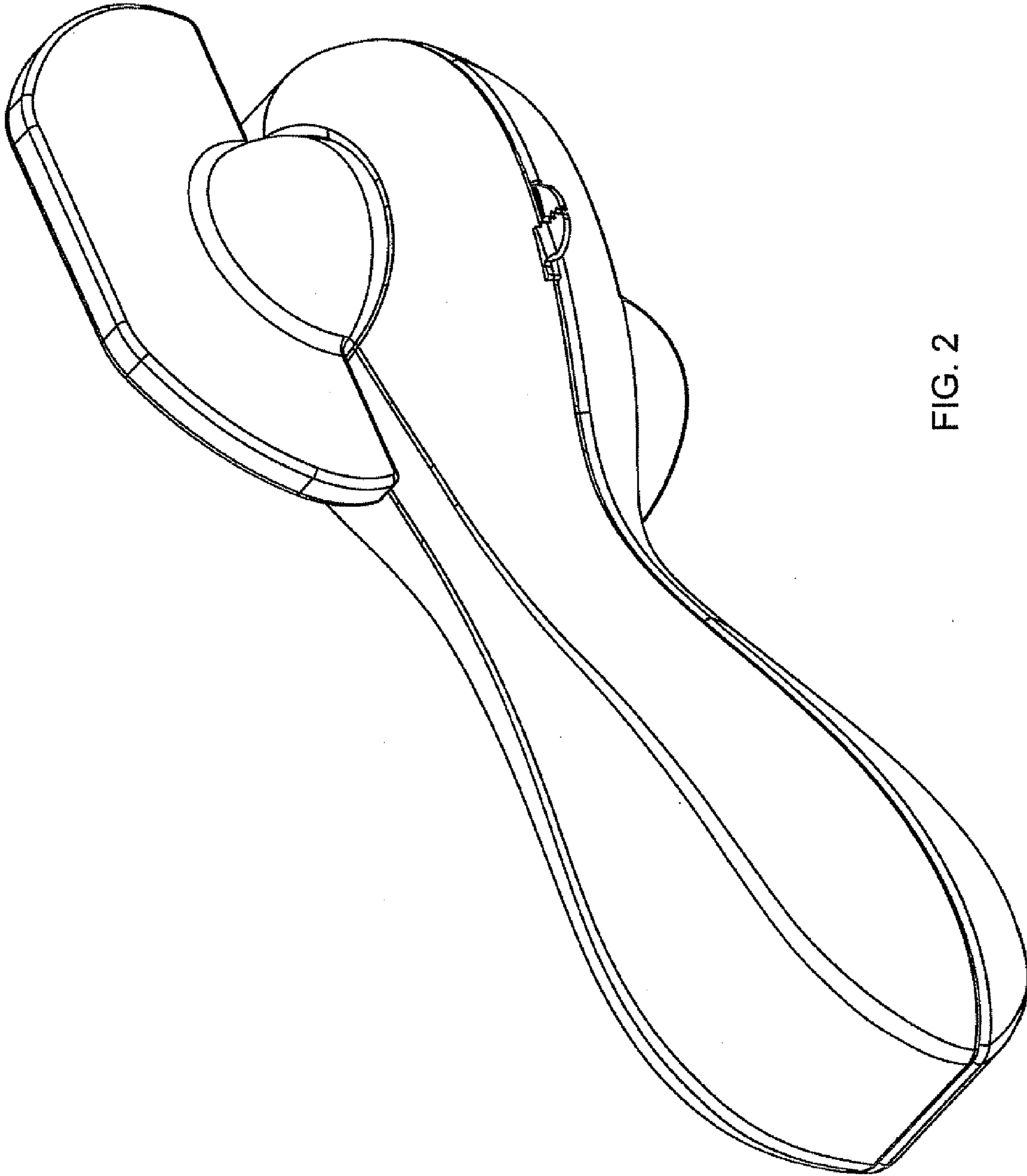


FIG. 2

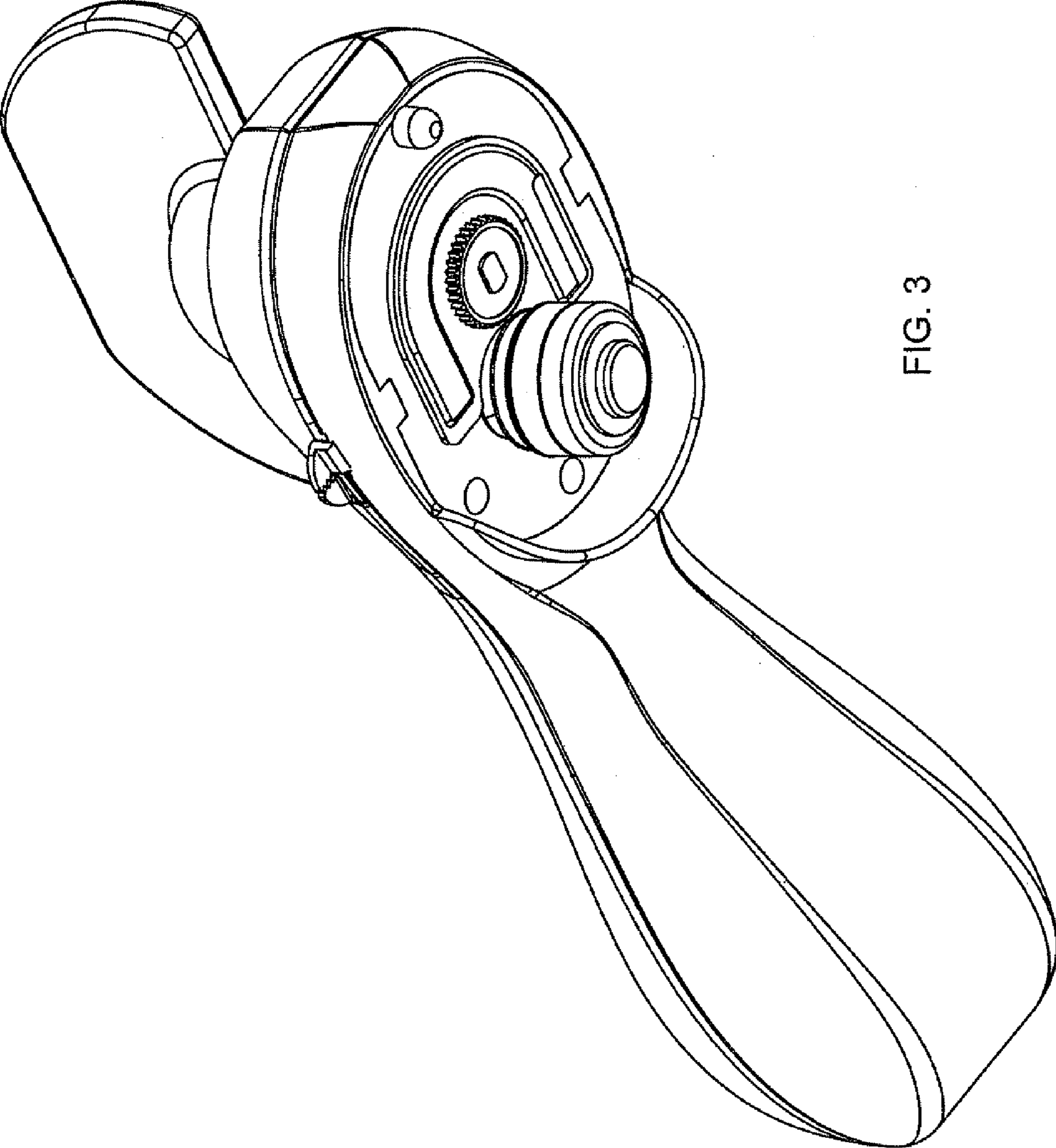


FIG. 3

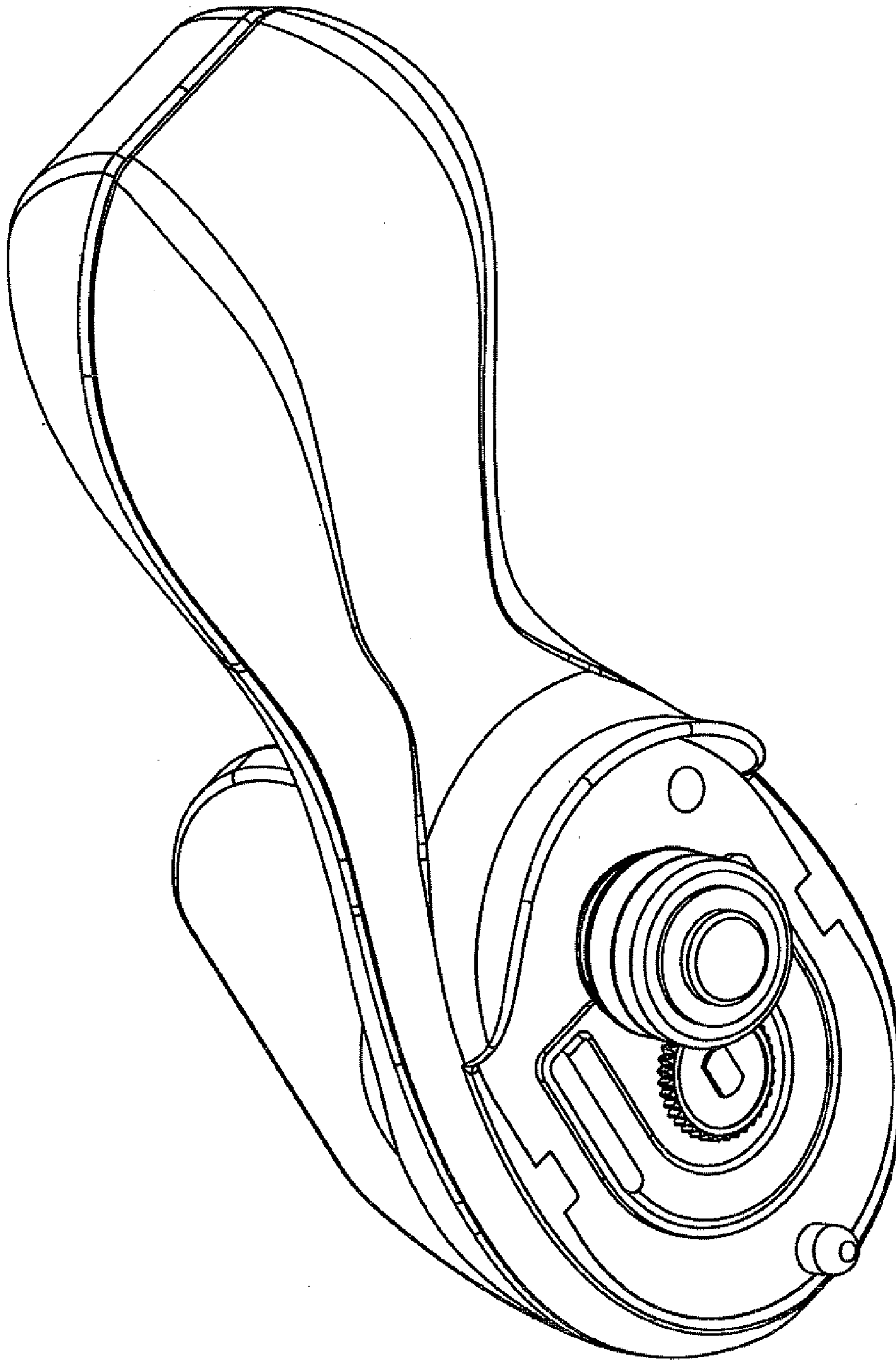


FIG. 4

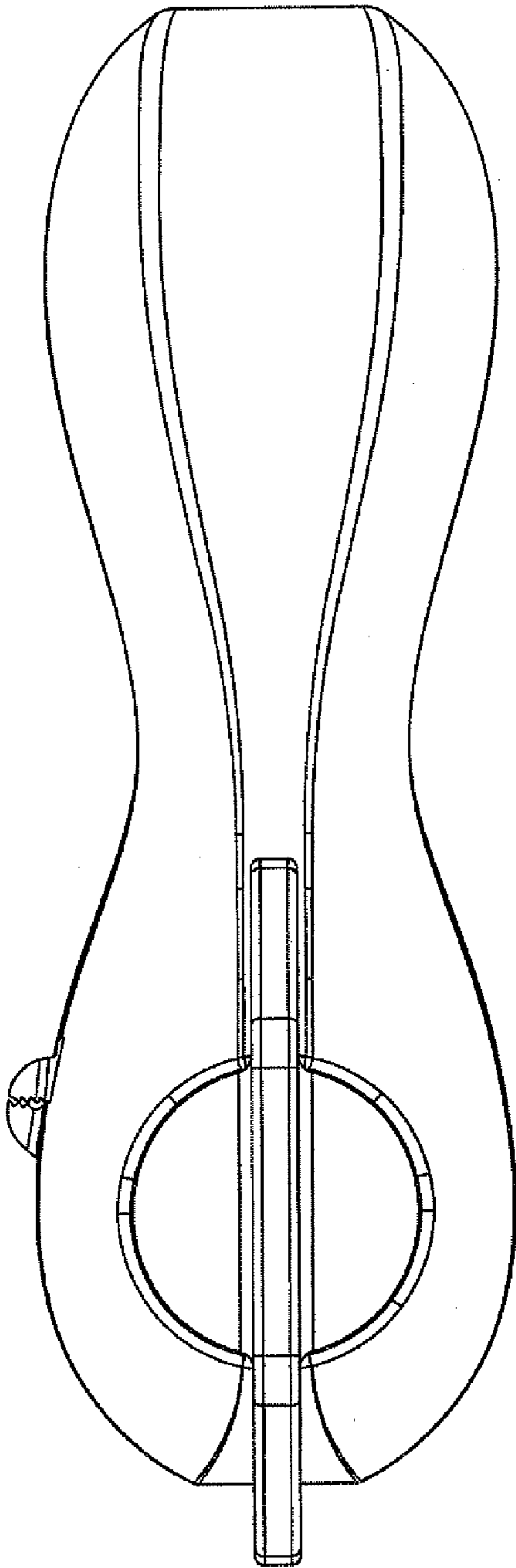


FIG. 5.

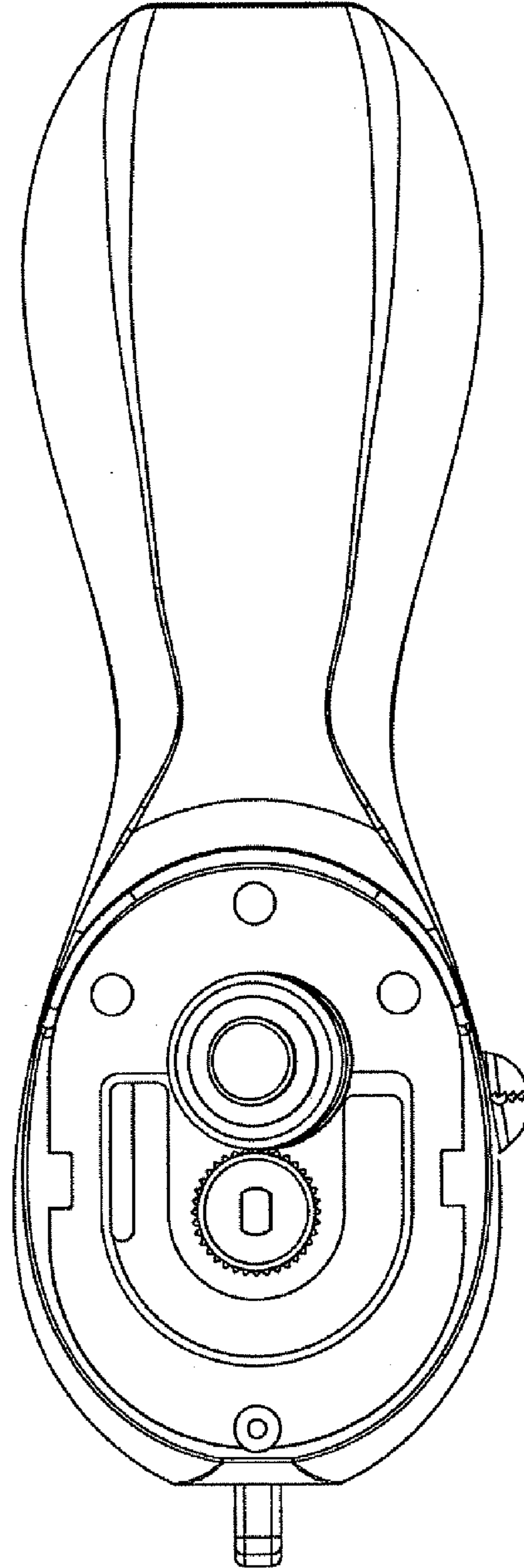


FIG. 6

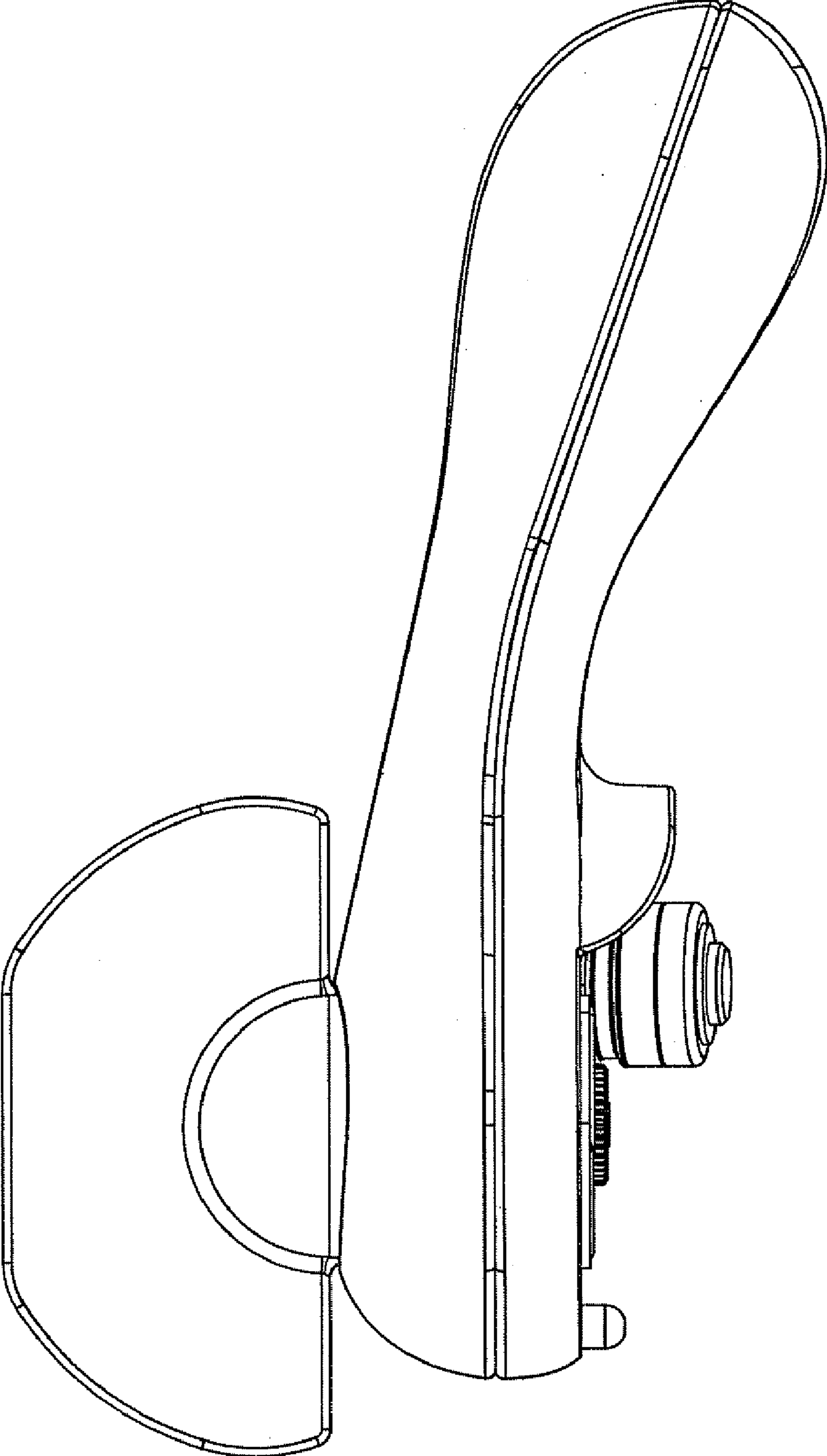


FIG. 7

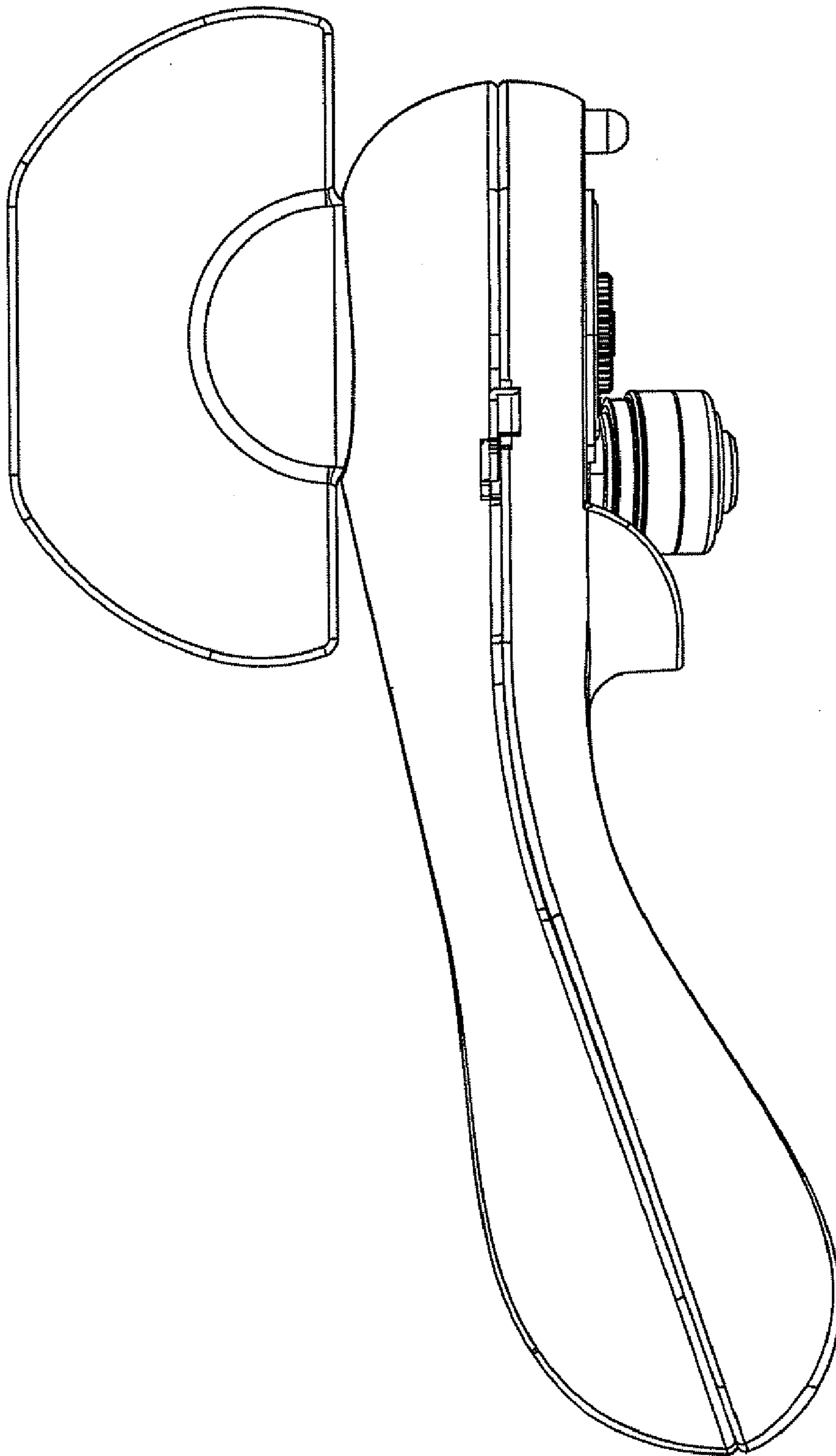


FIG. 8

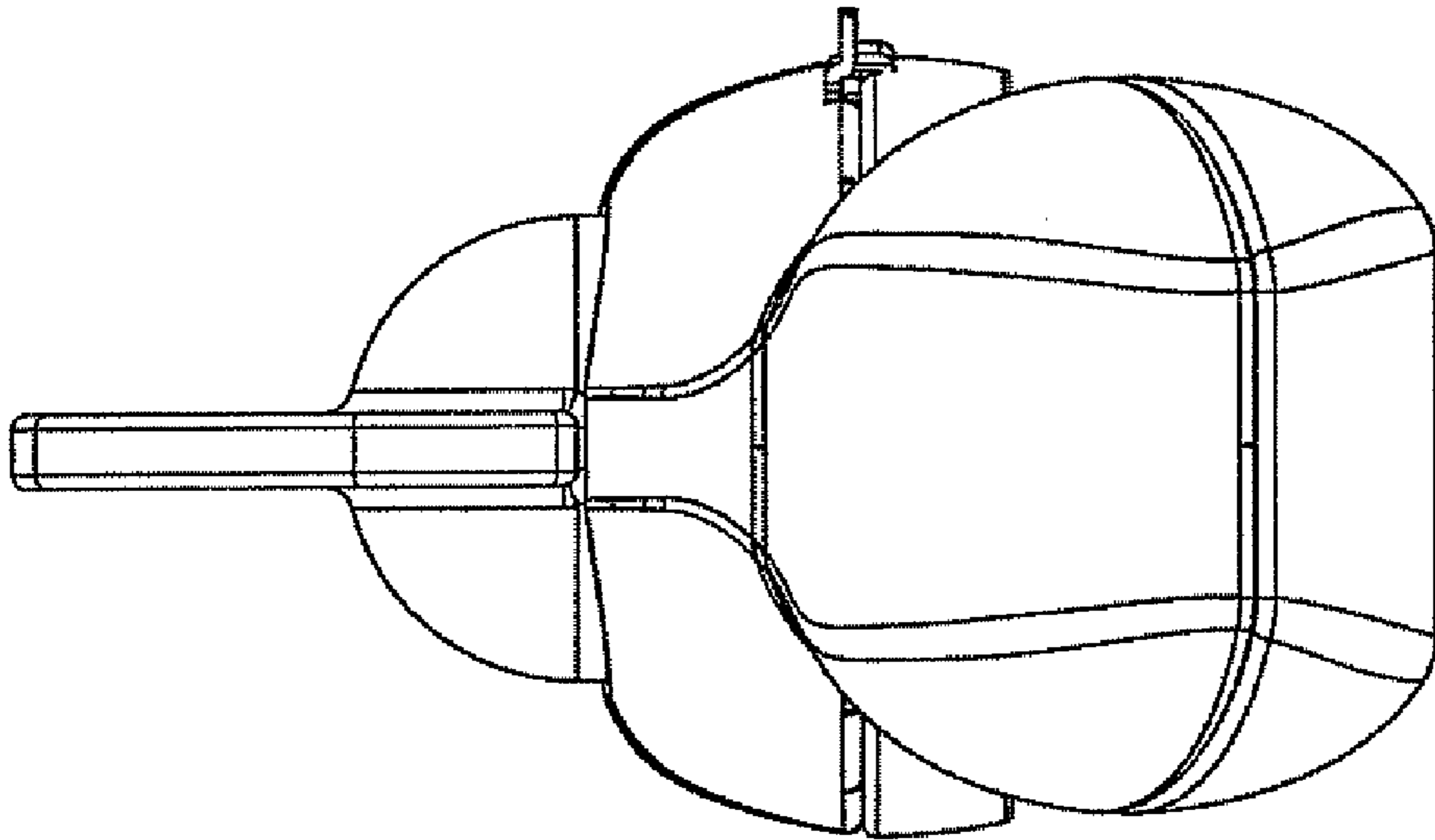


FIG 10

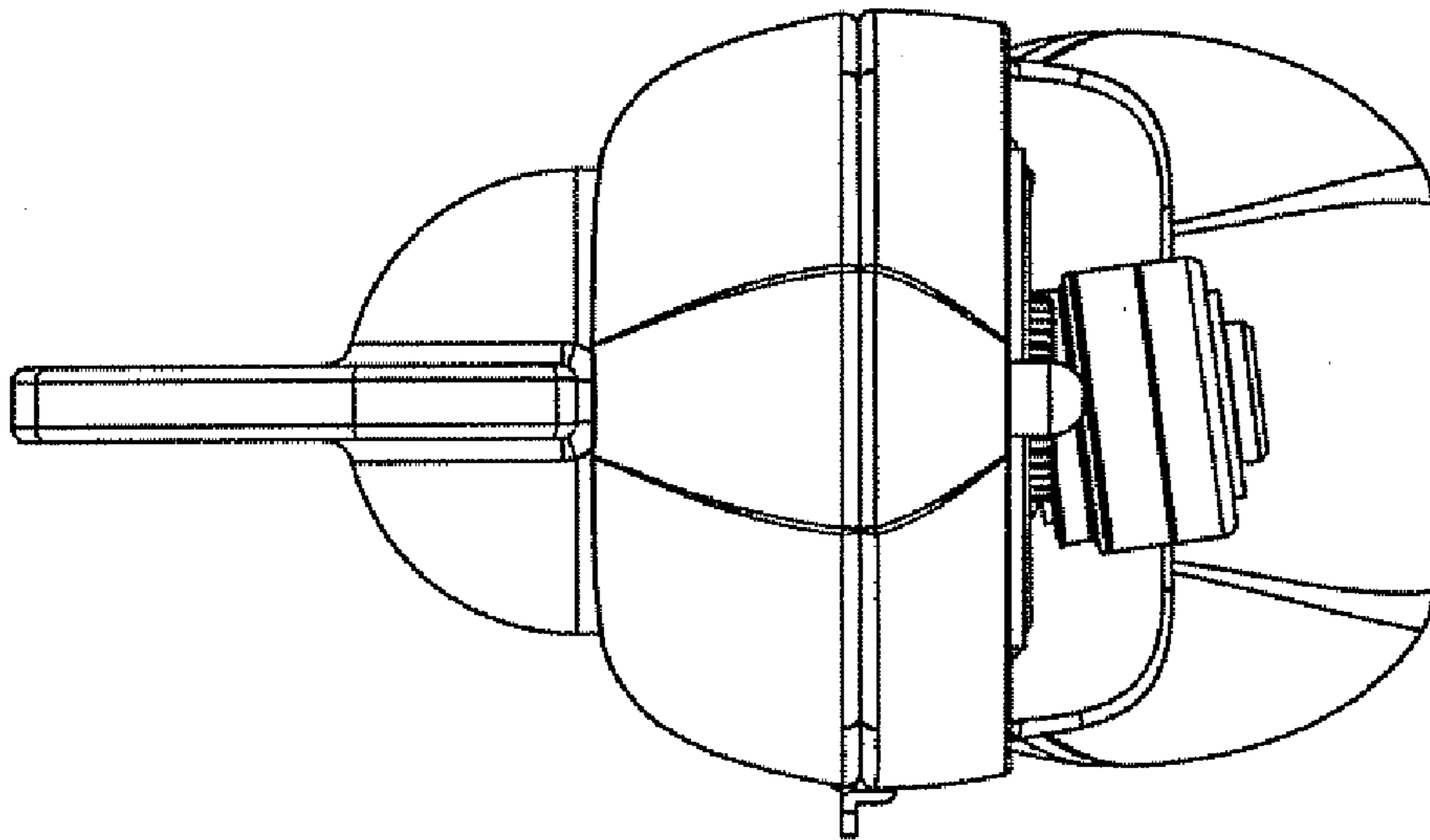


FIG 9