



US00D562656S

(12) **United States Design Patent**
Yang

(10) **Patent No.:** **US D562,656 S**

(45) **Date of Patent:** **** Feb. 26, 2008**

(54) **SPANNER HEAD**

(76) **Inventor:** **Te-Chuan Yang**, No. 528, Tung Kuang Yuan Rd., East District, Taichung City, 401 (TW)

(**) **Term:** **14 Years**

(21) **Appl. No.:** **29/282,023**

(22) **Filed:** **Jul. 10, 2007**

(51) **LOC (8) Cl.** **08-05**

(52) **U.S. Cl.** **D8/29**

(58) **Field of Classification Search** D8/17,
D8/21-29, 105, 107, 52, 55; 81/124.2, 125,
81/125.1, 176.1, 176.2, 177.1, 177.2, 177.3,
81/177.85, 124.3, 124.7, 176.3, 58.3, 300,
81/58.1, 60-63.2, 121.7, 436, 437, 165, 418,
81/166, 168, 169, 170, 179, 160, 3.57, 3.55,
81/58.4, 186, 176.15, 121.1, 489, 490, 22,
81/129, 479, 467, 471, 57.39, 177.9, 185.1;
140/119; 16/422, 429; 7/100, 138, 168,
7/157

See application file for complete search history.

(56) **References Cited**

U.S. PATENT DOCUMENTS

4,030,384 A * 6/1977 Newman 81/58.3
D338,379 S * 8/1993 DePalo D8/28
5,660,491 A * 8/1997 Roberts et al. 403/74

5,766,081 A * 6/1998 Desmarais 464/119
6,112,625 A * 9/2000 Turtle 81/177.2
6,656,053 B2 * 12/2003 Chang 464/119
D485,143 S * 1/2004 Yang D8/28
6,971,292 B2 * 12/2005 Hu 81/177.8
D549,535 S * 8/2007 Yang D8/29

* cited by examiner

Primary Examiner—Raphael Barkai

Assistant Examiner—Randall H Gholson

(74) *Attorney, Agent, or Firm*—Alan Kamrath; Kamrath & Associates PA

(57) **CLAIM**

The ornamental design for a spanner head, as shown and described.

DESCRIPTION

FIG. 1 is a perspective view of a spanner head showing my design;

FIG. 2 is a front elevational view thereof;

FIG. 3 is a rear elevational view thereof;

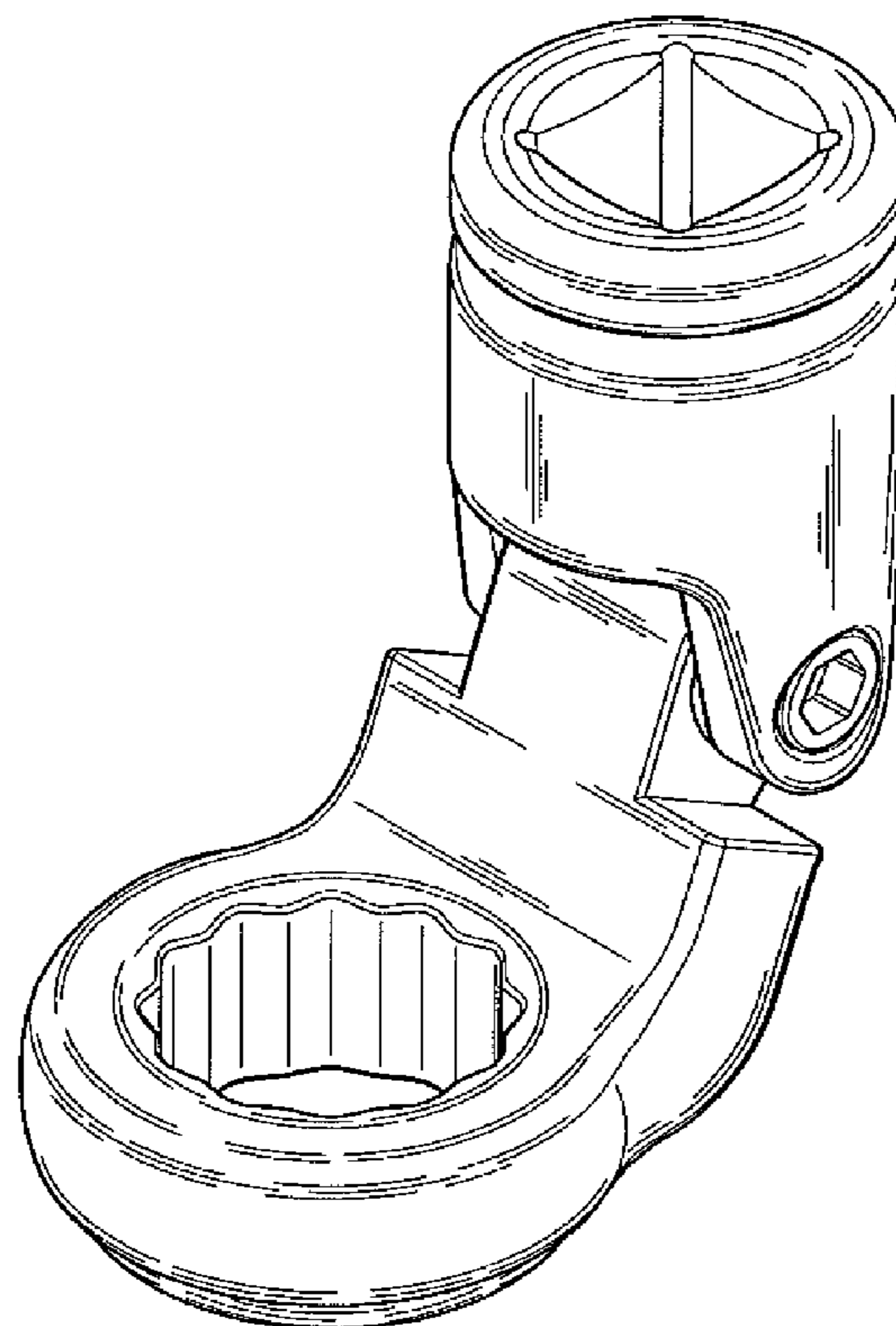
FIG. 4 is a left side elevational view thereof;

FIG. 5 is a right side elevational view thereof;

FIG. 6 is a top plan view thereof; and,

FIG. 7 is a bottom plan view thereof.

1 Claim, 4 Drawing Sheets



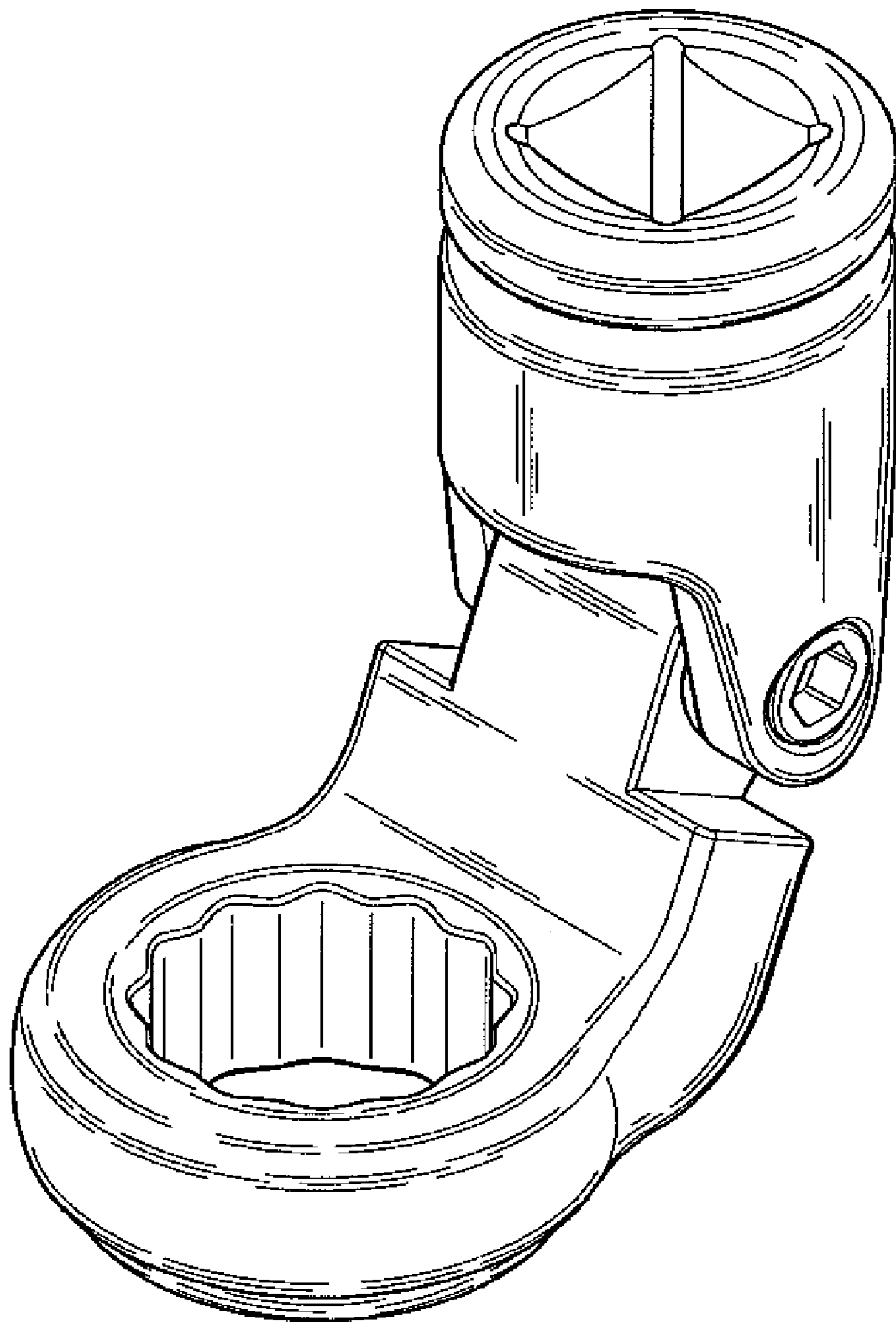


FIG. 1

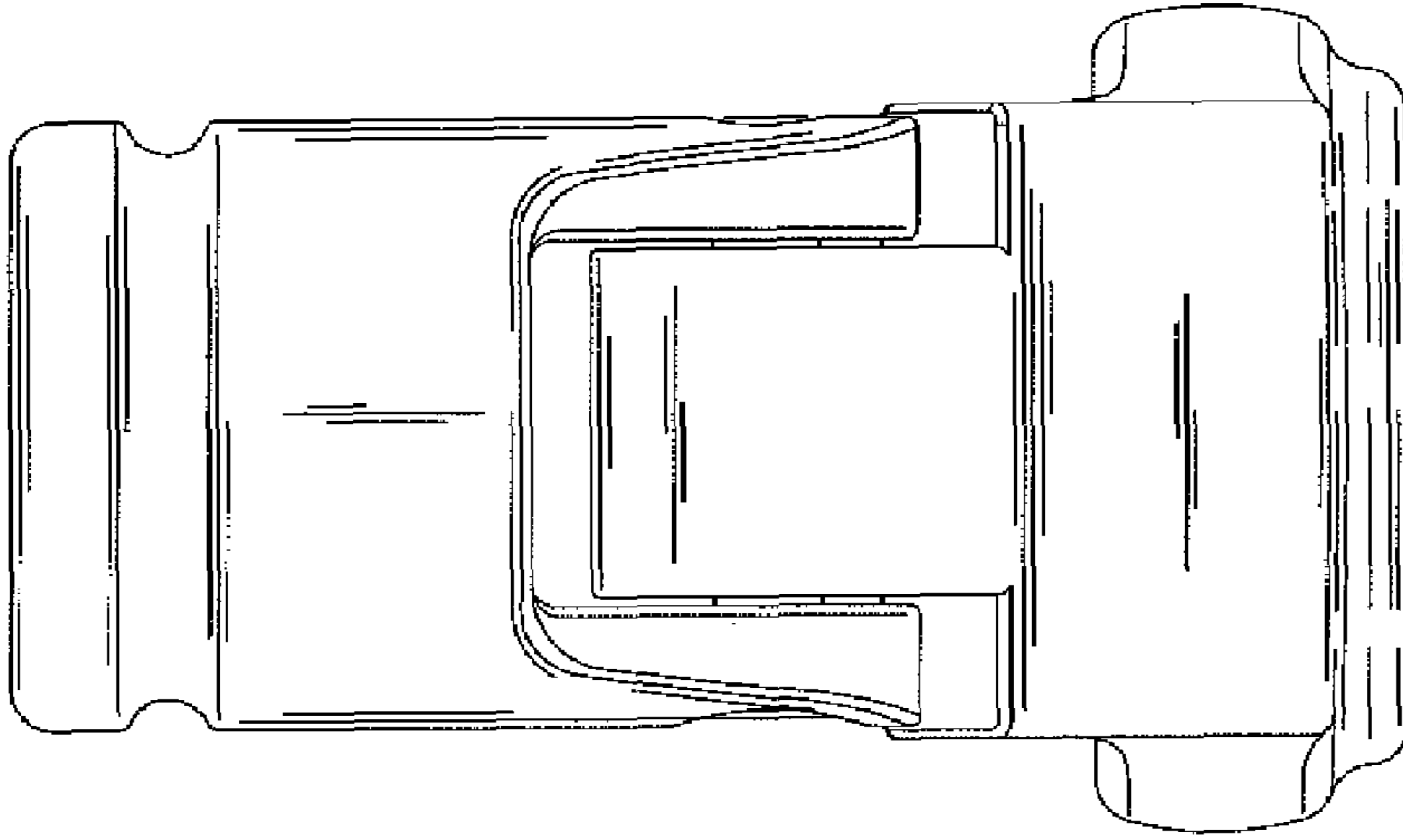


FIG. 2

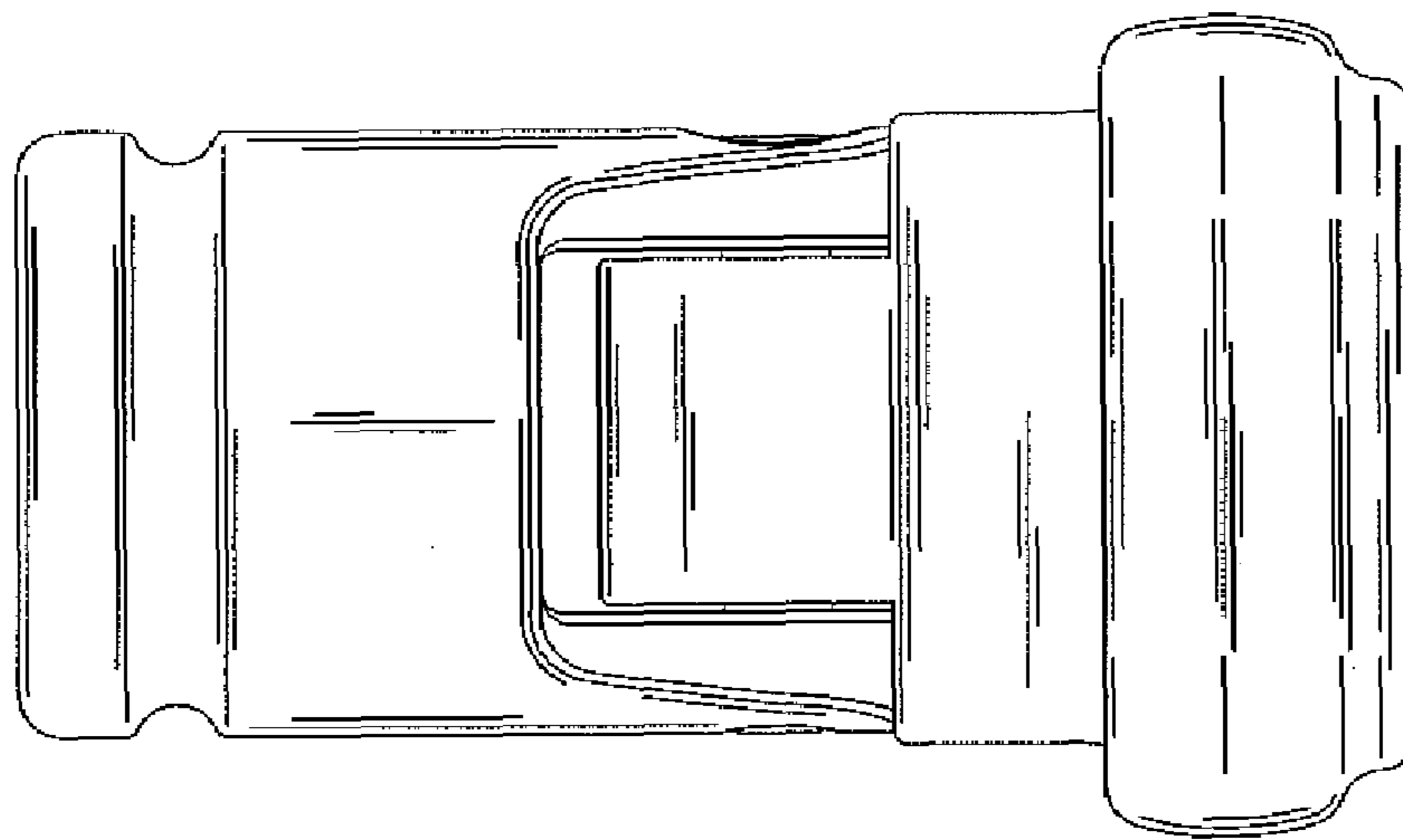


FIG. 3

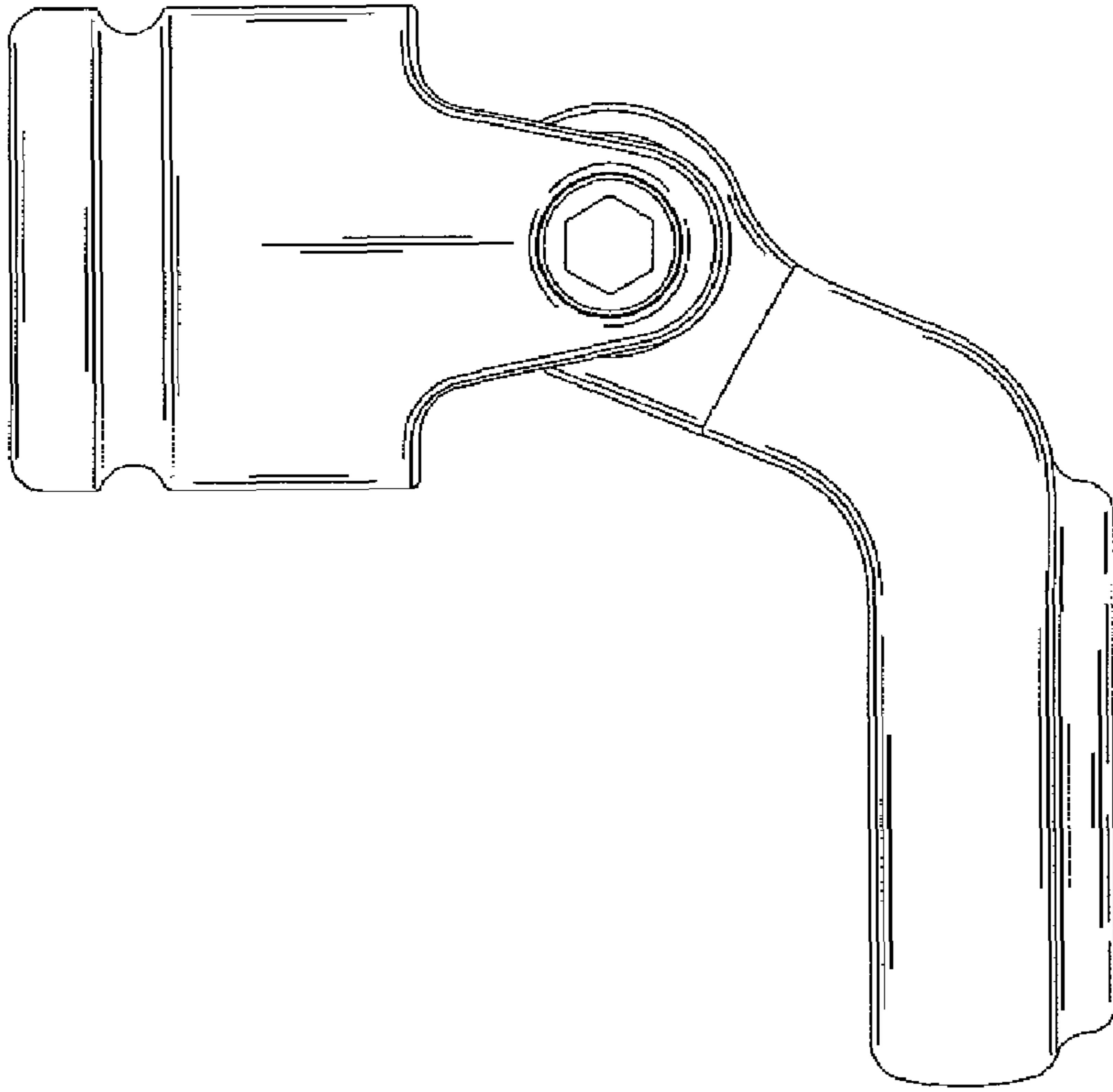


FIG. 5

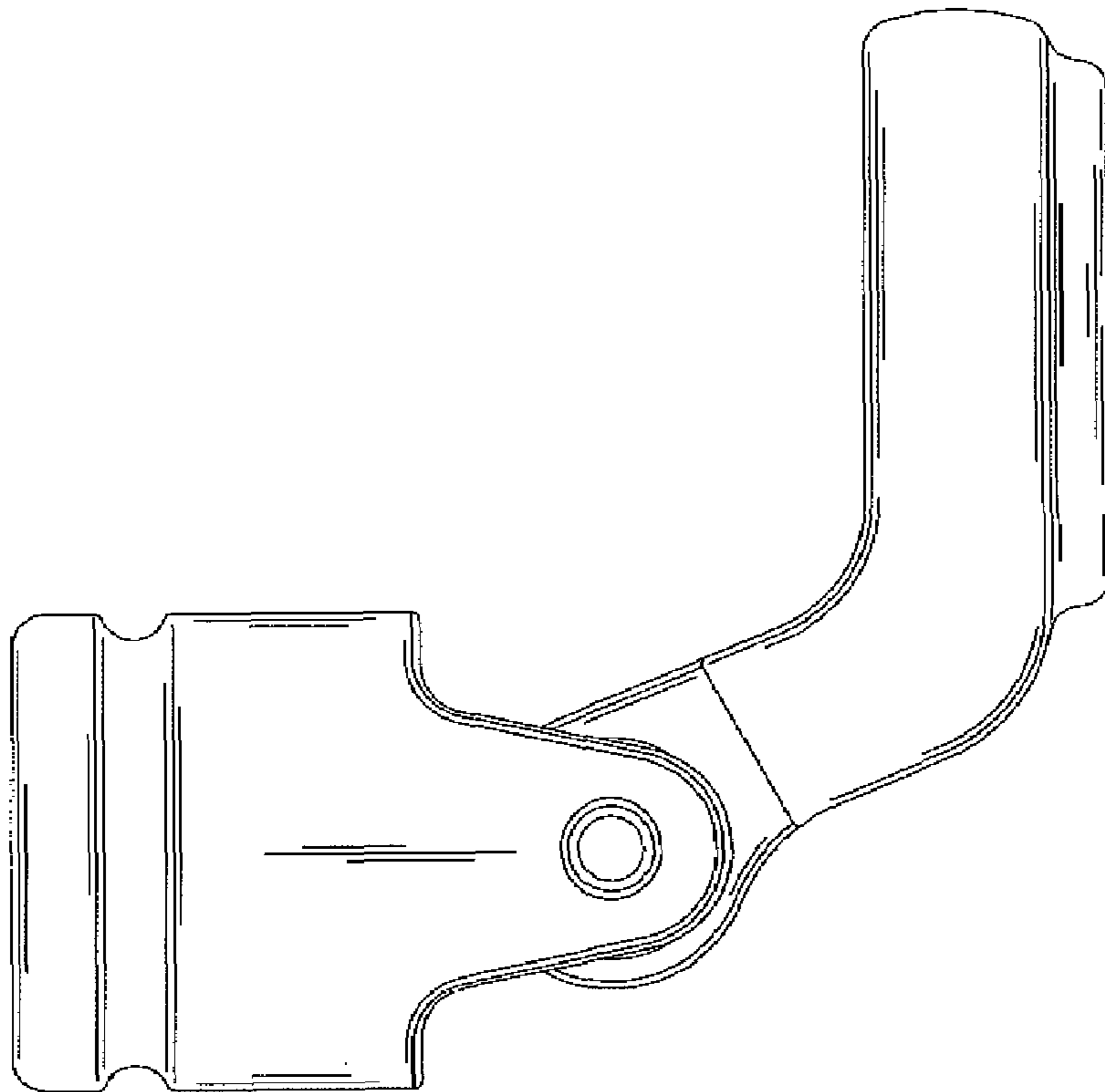


FIG. 4

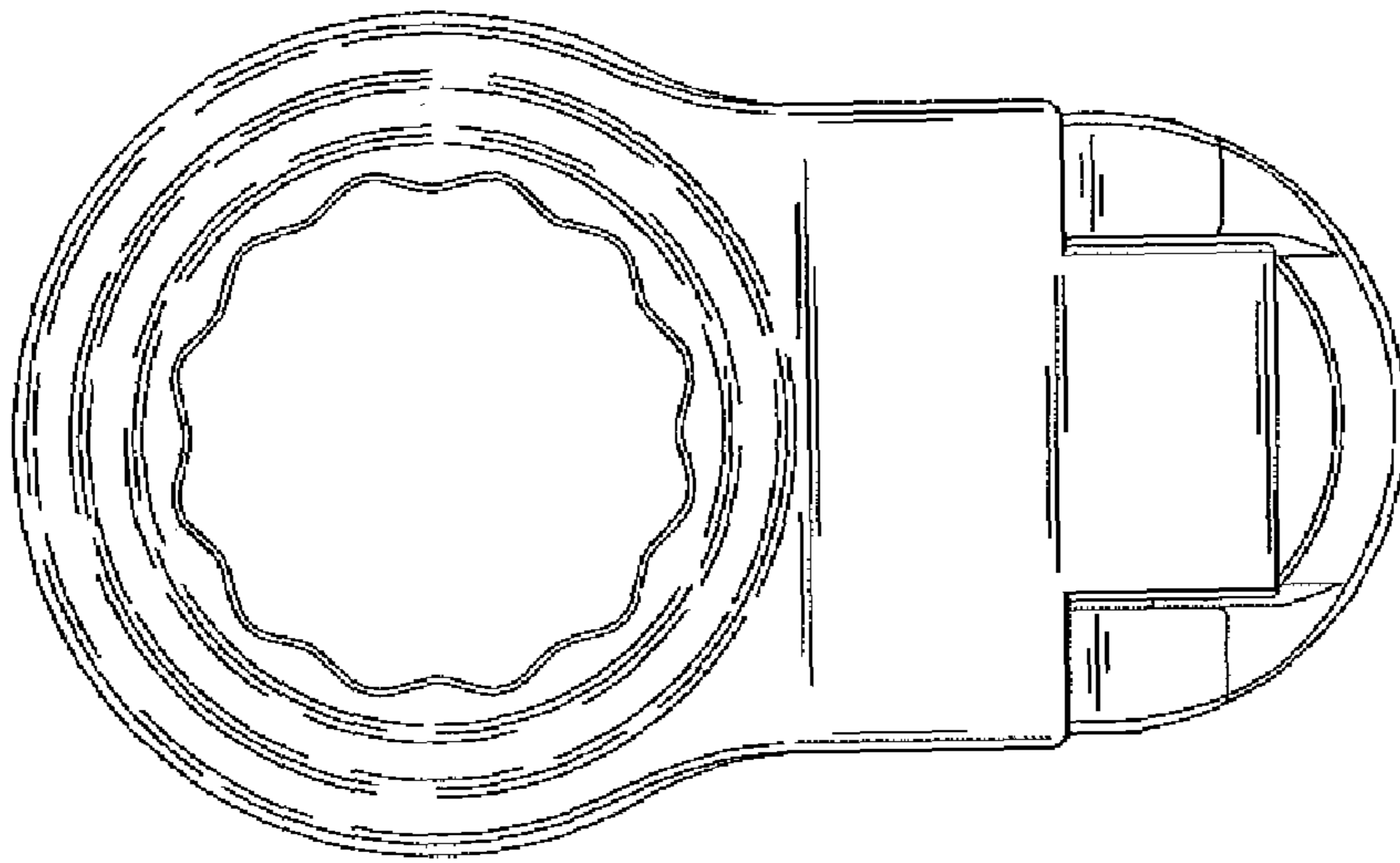


FIG. 7

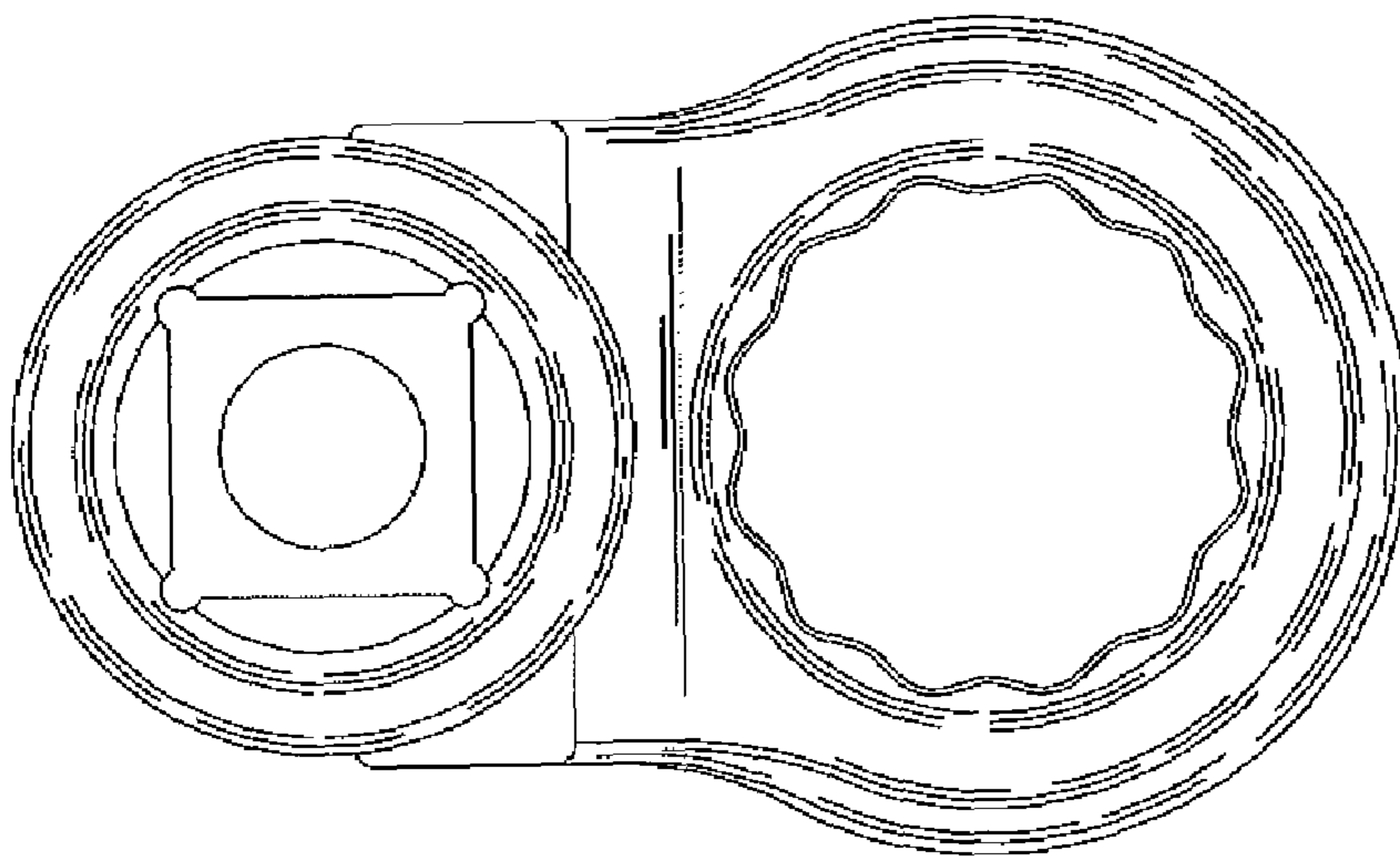


FIG. 6