



US00D562652S

(12) **United States Design Patent**  
**Liao**

(10) **Patent No.:** **US D562,652 S**

(45) **Date of Patent:** **\*\* Feb. 26, 2008**

(54) **RATCHET WRENCH**

(76) Inventor: **Yi-Ho Liao**, No. 113, Lane 60,  
Gong-Jiew Street, Ta-Li City, Taichung  
County (TW)

(\*\*) Term: **14 Years**

(21) Appl. No.: **29/255,312**

(22) Filed: **Mar. 7, 2006**

(51) **LOC (8) Cl.** ..... **08-05**

(52) **U.S. Cl.** ..... **D8/25**

(58) **Field of Classification Search** ..... D8/17,  
D8/21-29, 81-87, 102-107, 98-99, 55, 93,  
D8/94; 81/60-63.2, 177.1, 177.85, 177.8,  
81/489, 125.1, 121.1, 119-120, 176.1, 186,  
81/177.9, 185.1, 176.2, 165, 170, 3.35, 58,  
81/3.45, 155; 206/378; 16/429, 441, 124.6;  
7/100, 138, 168, 157  
See application file for complete search history.

(56) **References Cited**

**U.S. PATENT DOCUMENTS**

6,003,413 A \* 12/1999 Macor ..... 81/60  
D429,979 S \* 8/2000 Chiang ..... D8/25  
6,247,385 B1 \* 6/2001 Wu ..... 81/177.1

D482,588 S \* 11/2003 Lai ..... D8/107  
D515,373 S \* 2/2006 Chen ..... D8/27  
D526,865 S \* 8/2006 Liao ..... D8/25  
7,159,491 B1 \* 1/2007 Chaconas et al. .... 81/58.1  
2002/0104410 A1 \* 8/2002 Wang ..... 81/177.1

\* cited by examiner

*Primary Examiner*—Raphael Barkai  
*Assistant Examiner*—Randall H. Gholson  
(74) *Attorney, Agent, or Firm*—Charles E. Baxley

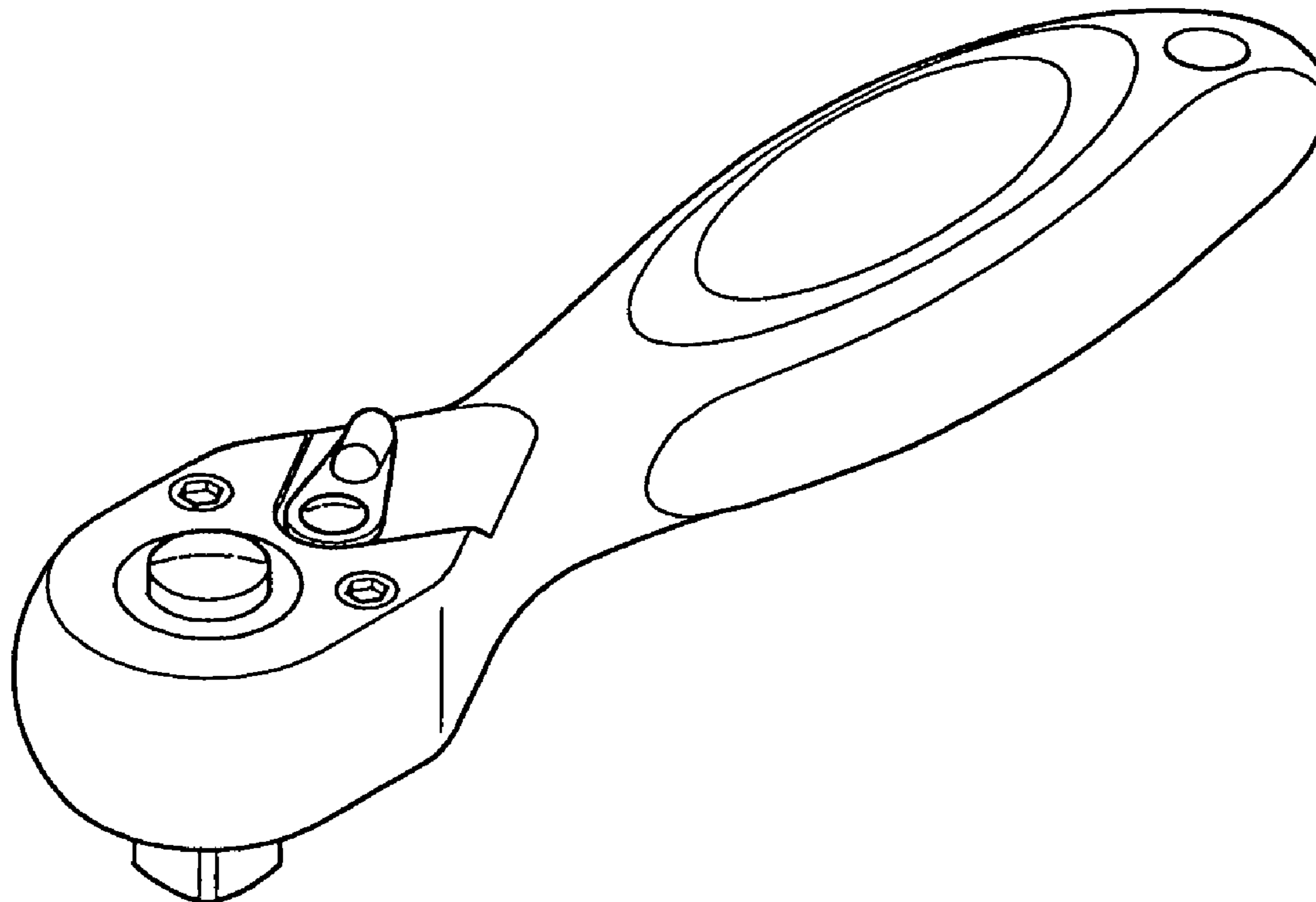
(57) **CLAIM**

The ornamental design for a ratchet wrench, as shown and described.

**DESCRIPTION**

FIG. 1 is a front-right-top perspective view of a ratchet wrench, showing my new design;  
FIG. 2 is a front elevational view thereof;  
FIG. 3 is a rear elevational view thereof;  
FIG. 4 is a top plan view thereof;  
FIG. 5 is a bottom plan view thereof;  
FIG. 6 is a left elevational view thereof; and,  
FIG. 7 is a right elevational view thereof.

**1 Claim, 2 Drawing Sheets**



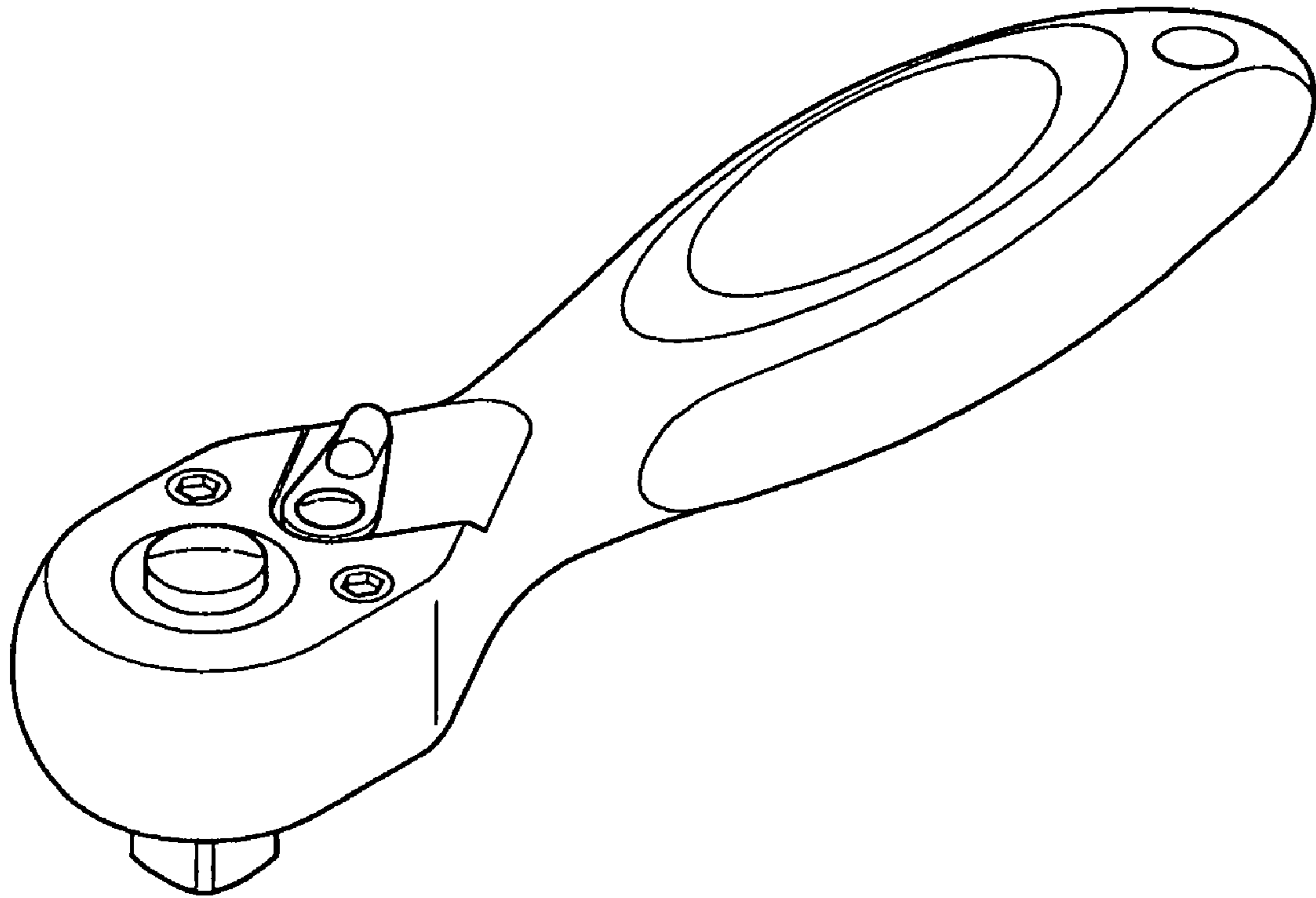


FIG. 1

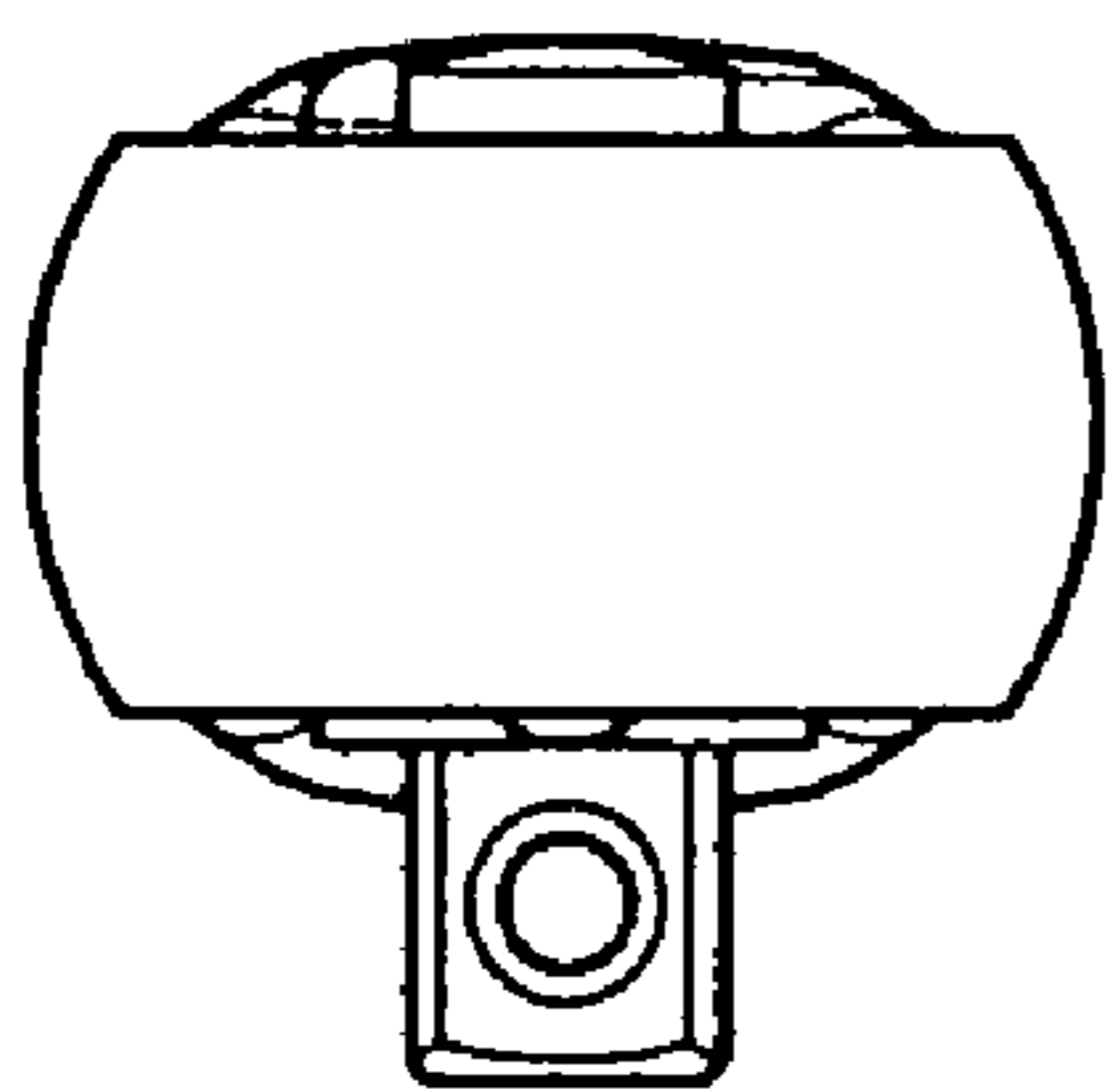


FIG. 6

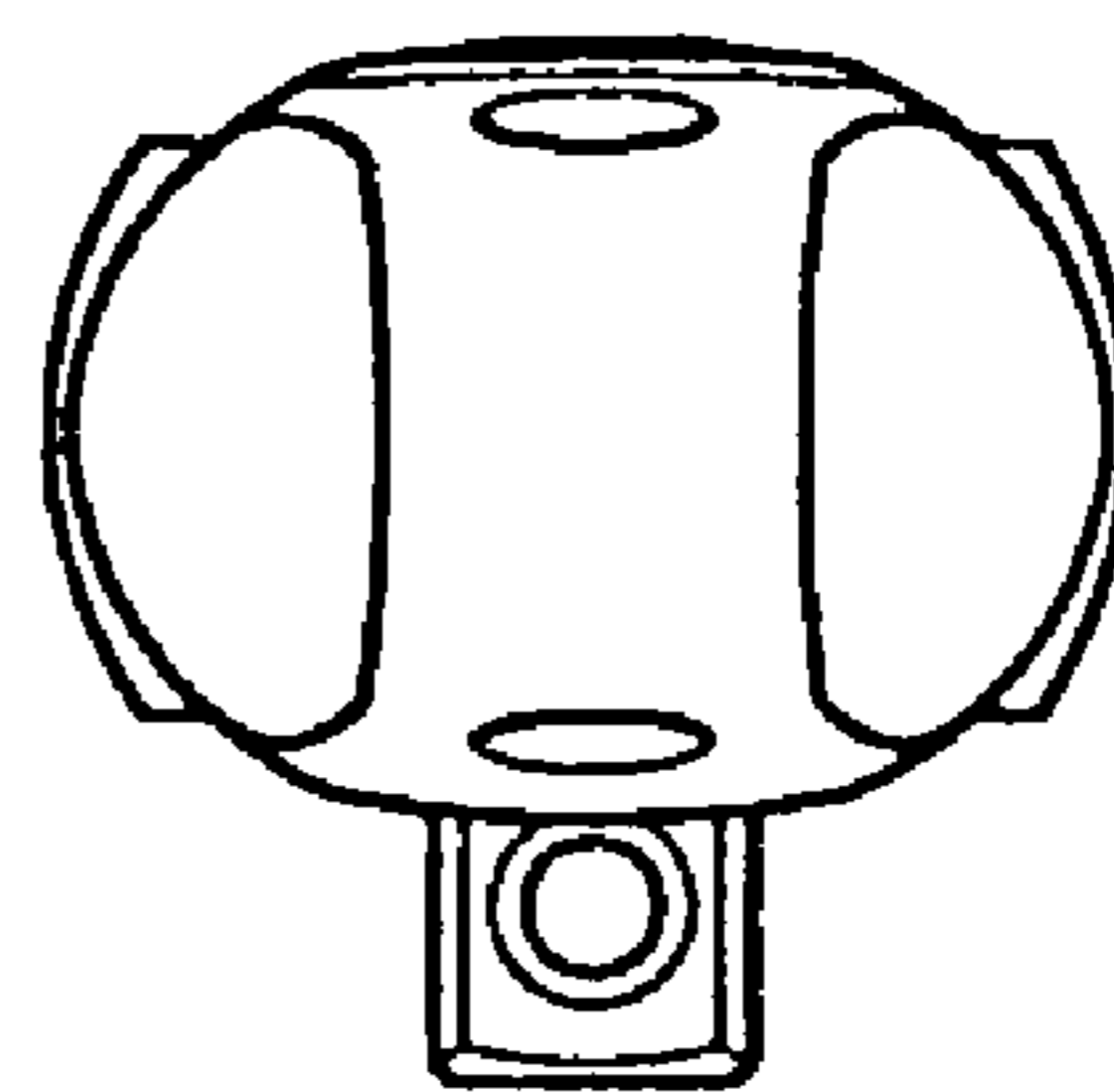


FIG. 7

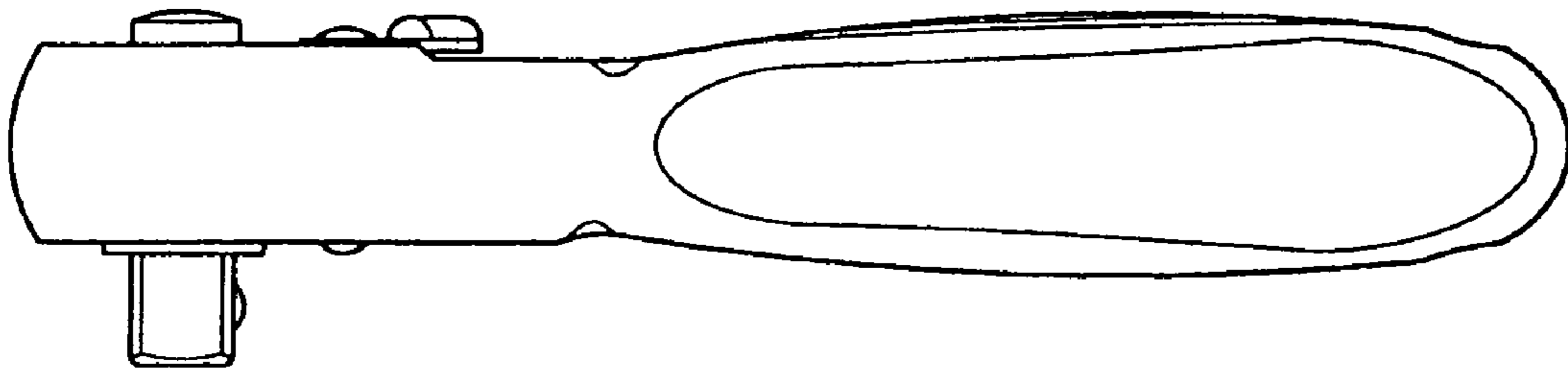


FIG. 2

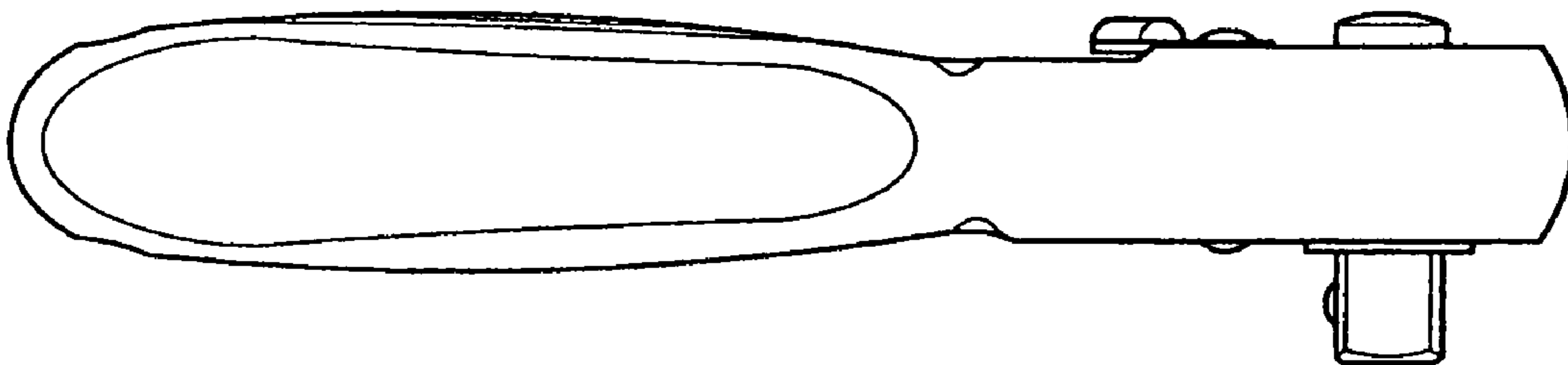


FIG. 3

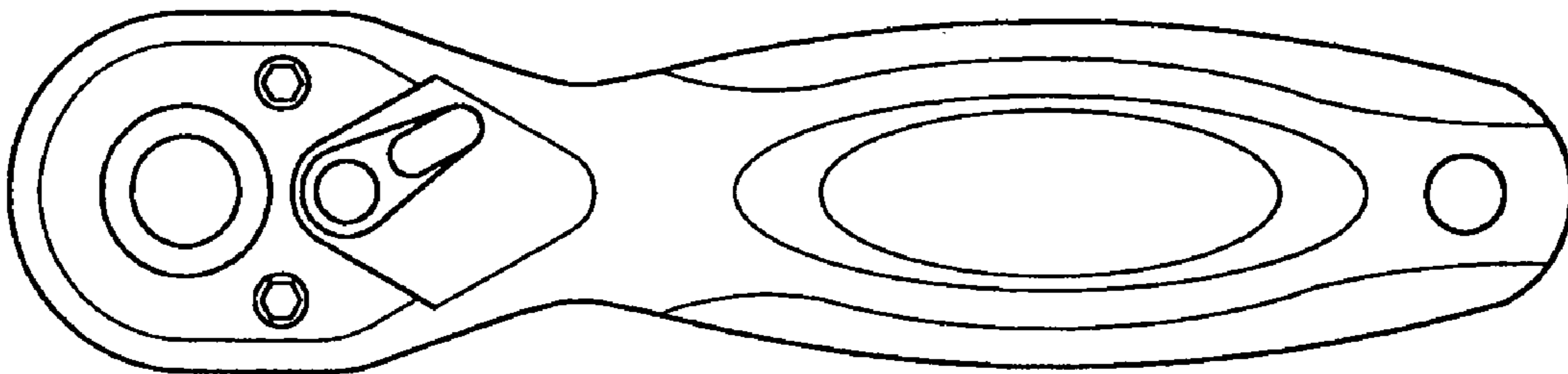


FIG. 4

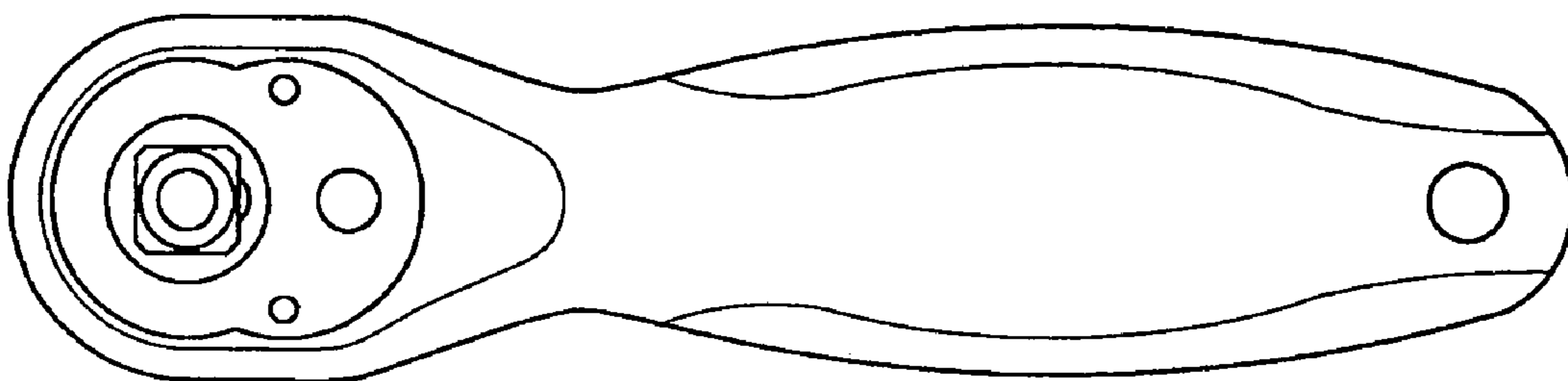


FIG. 5