



US00D562648S

(12) **United States Design Patent**  
**Roberts**

(10) **Patent No.:** **US D562,648 S**

(45) **Date of Patent:** **\*\* Feb. 26, 2008**

(54) **TREE WELL**

(75) Inventor: **Earl J. Roberts**, Perris, CA (US)

(73) Assignee: **Buds Tree Wells, Inc.**, Riverside, CA (US)

(\*\*) Term: **14 Years**

(21) Appl. No.: **29/280,112**

(22) Filed: **May 16, 2007**

(51) **LOC (8) Cl.** ..... **08-01**

(52) **U.S. Cl.** ..... **D8/1**

(58) **Field of Classification Search** ..... D8/1;  
47/32.5, 32.7, 33, 47, 85

See application file for complete search history.

(56) **References Cited**

U.S. PATENT DOCUMENTS

490,309	A *	1/1893	Ryan	47/32.5
1,323,891	A	12/1919	Marsico	
2,011,405	A *	8/1935	Giliasso	47/32.5
2,784,528	A	3/1957	Rudenauer	
3,412,561	A *	11/1968	Reid	405/15
3,472,133	A *	10/1969	Ziehm, Jr.	404/7
3,755,965	A	9/1973	Emery	
4,336,666	A	6/1982	Caso	
4,644,685	A *	2/1987	Tisbo et al.	47/33
D292,474	S *	10/1987	Young	D8/1
4,932,157	A *	6/1990	Shimp	47/33
4,955,156	A	9/1990	Williams	
4,976,063	A *	12/1990	Young	47/33
D323,604	S *	2/1992	Deschryver	D8/1
5,142,818	A	9/1992	Weigert	
5,231,793	A	8/1993	Allen	
5,577,343	A *	11/1996	Flasch, Jr.	47/33
D385,635	S *	10/1997	Nebelsieck	D25/164

D399,712	S *	10/1998	Villella	D8/1
5,839,222	A	11/1998	Sittner	
6,023,883	A	2/2000	Bacon, Jr.	
D428,781	S *	8/2000	Tanner	D8/1
D429,125	S *	8/2000	Ingleton	D8/1
D453,895	S *	2/2002	Dewey	D8/1
6,367,194	B1 *	4/2002	Measday et al.	47/32.4
6,453,607	B1	9/2002	Dewey	
6,601,339	B1	8/2003	Parker et al.	
D536,225	S *	2/2007	Zinger	D8/1
2005/0034362	A1 *	2/2005	Anderson et al.	47/33
2005/0150158	A1 *	7/2005	Fakhari	47/33

\* cited by examiner

*Primary Examiner*—Holly H. Baynham

*Assistant Examiner*—Sheryl Friedman

(74) *Attorney, Agent, or Firm*—Knobbe, Martens, Olson & Bear, LLP

(57) **CLAIM**

The ornamental design for a tree well, as shown and described.

**DESCRIPTION**

FIG. 1 is a top assembled perspective view of a tree well of the present design;

FIG. 2 is a top disassembled perspective view;

FIG. 3 is a first side elevation view;

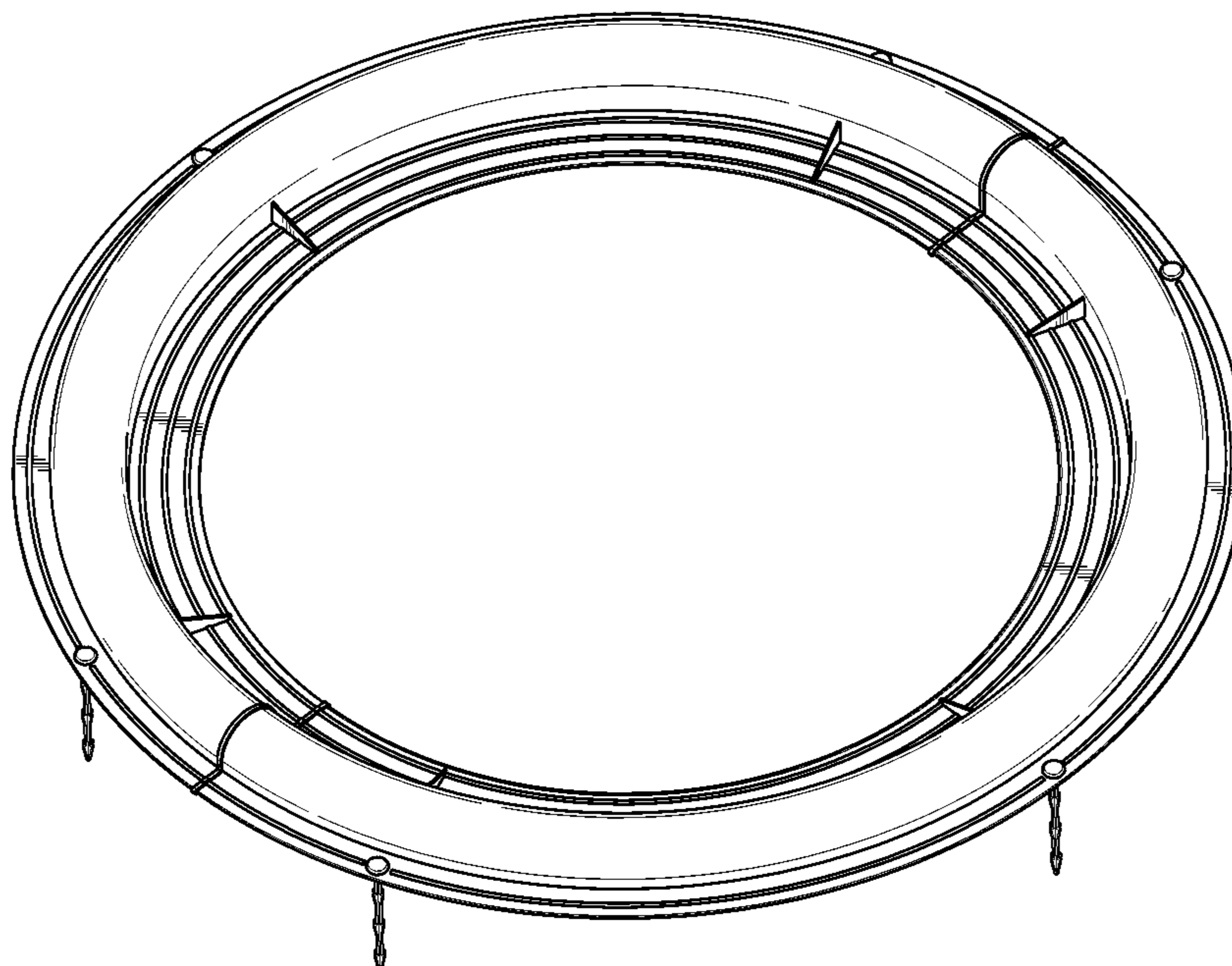
FIG. 4 is a second side elevation view;

FIG. 5 is a top plan view; and,

FIG. 6 is a perspective view of the tree well as positioned about a tree with water in the well.

The broken lines are for illustrative purposes only and form no part of the claimed design.

**1 Claim, 5 Drawing Sheets**



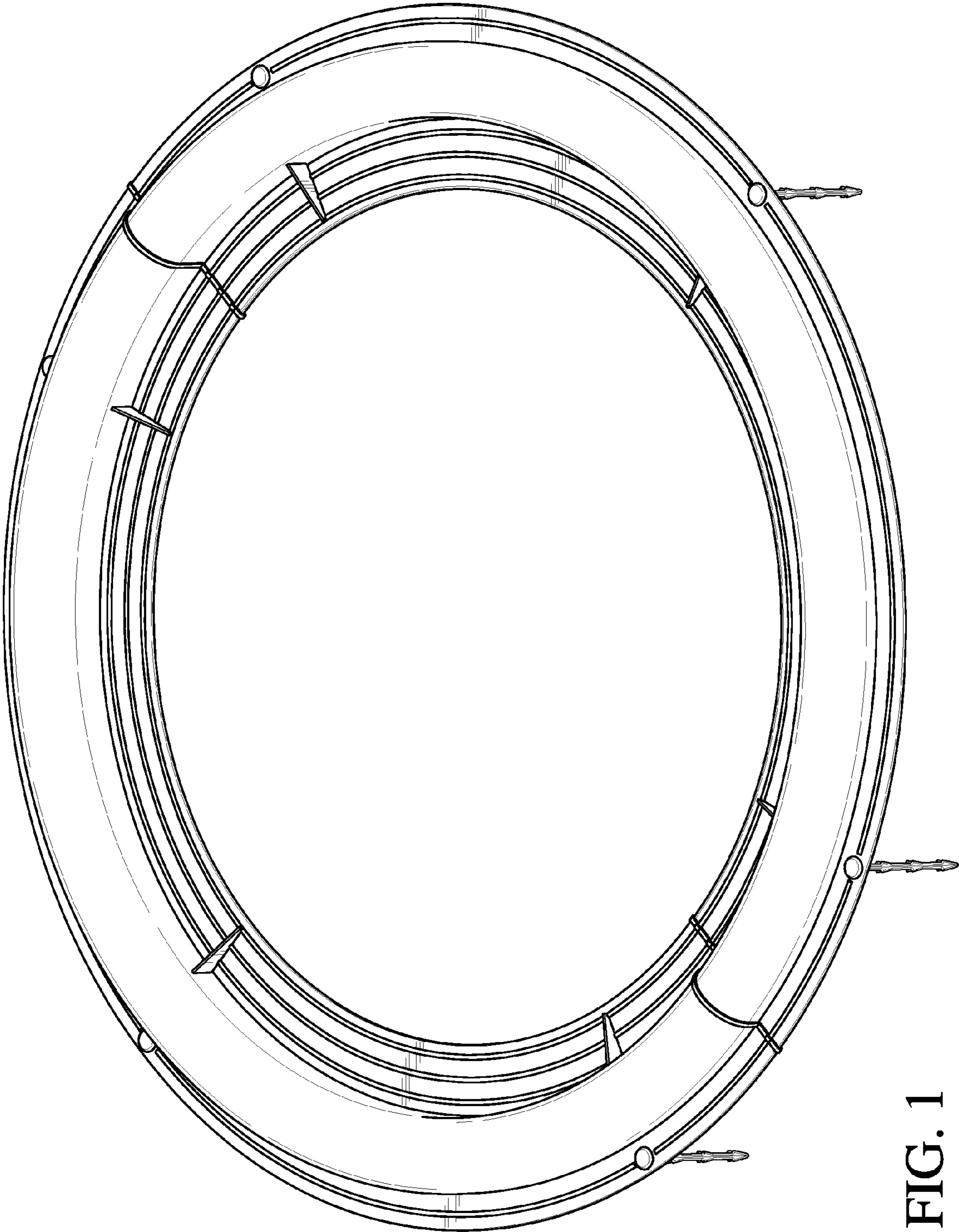


FIG. 1

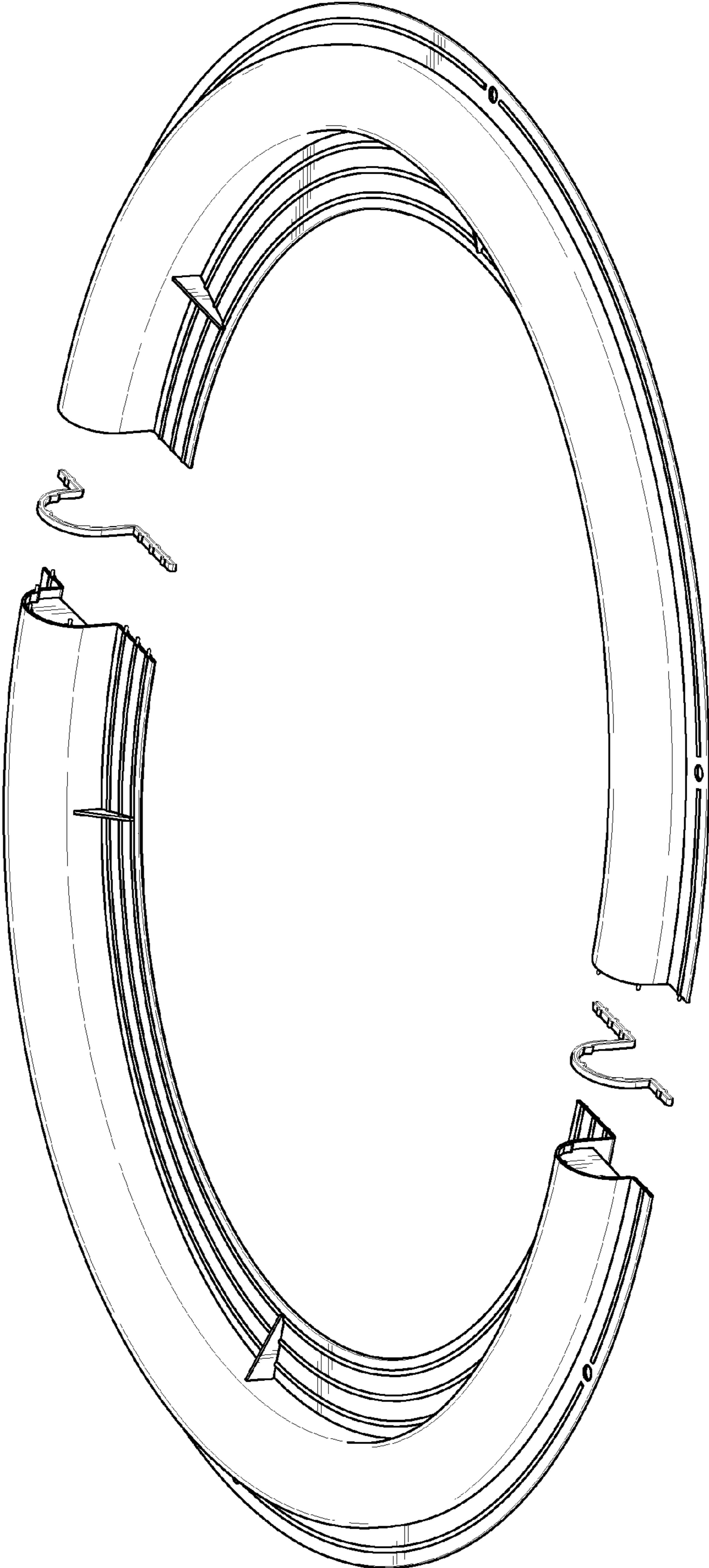


FIG. 2

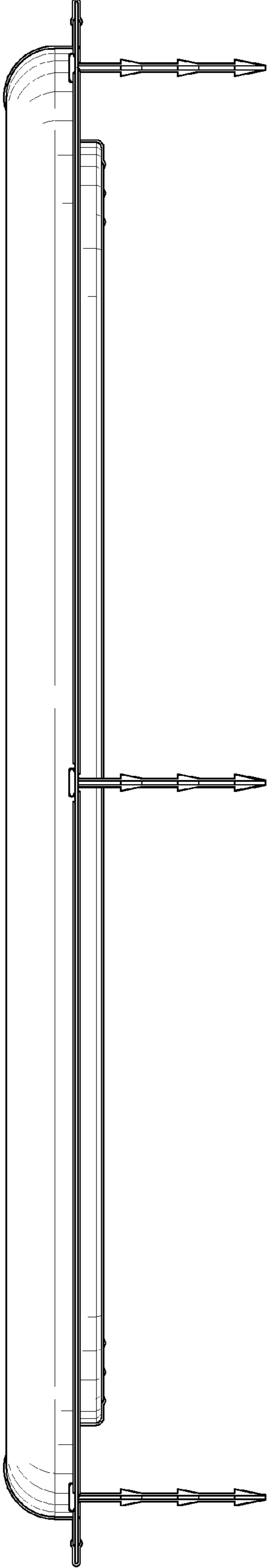


FIG. 3

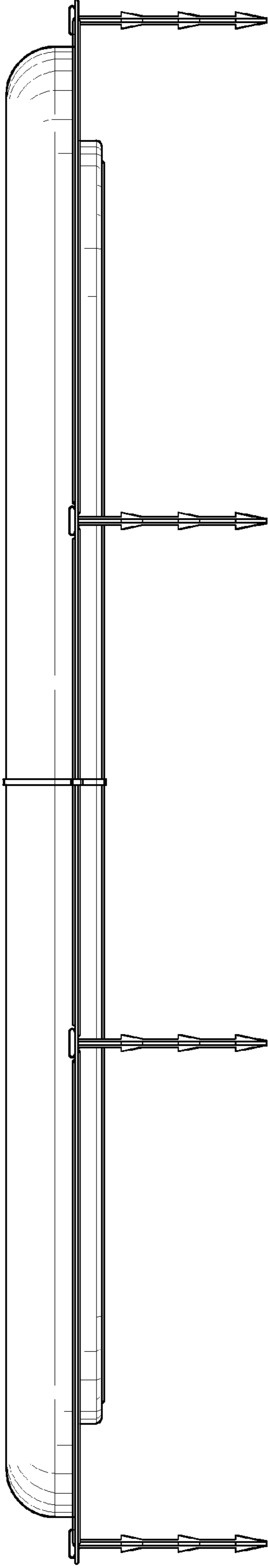


FIG. 4

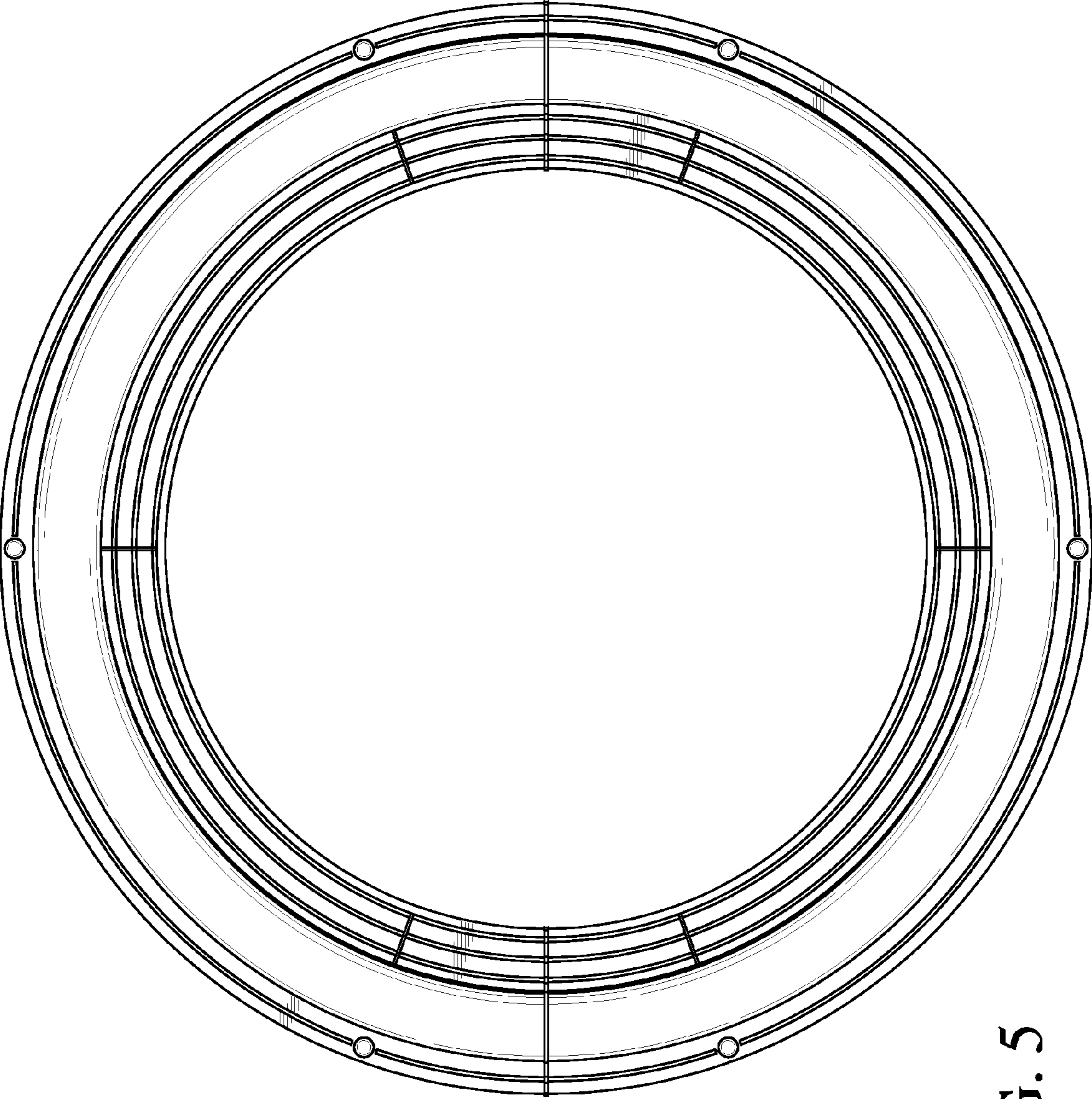


FIG. 5

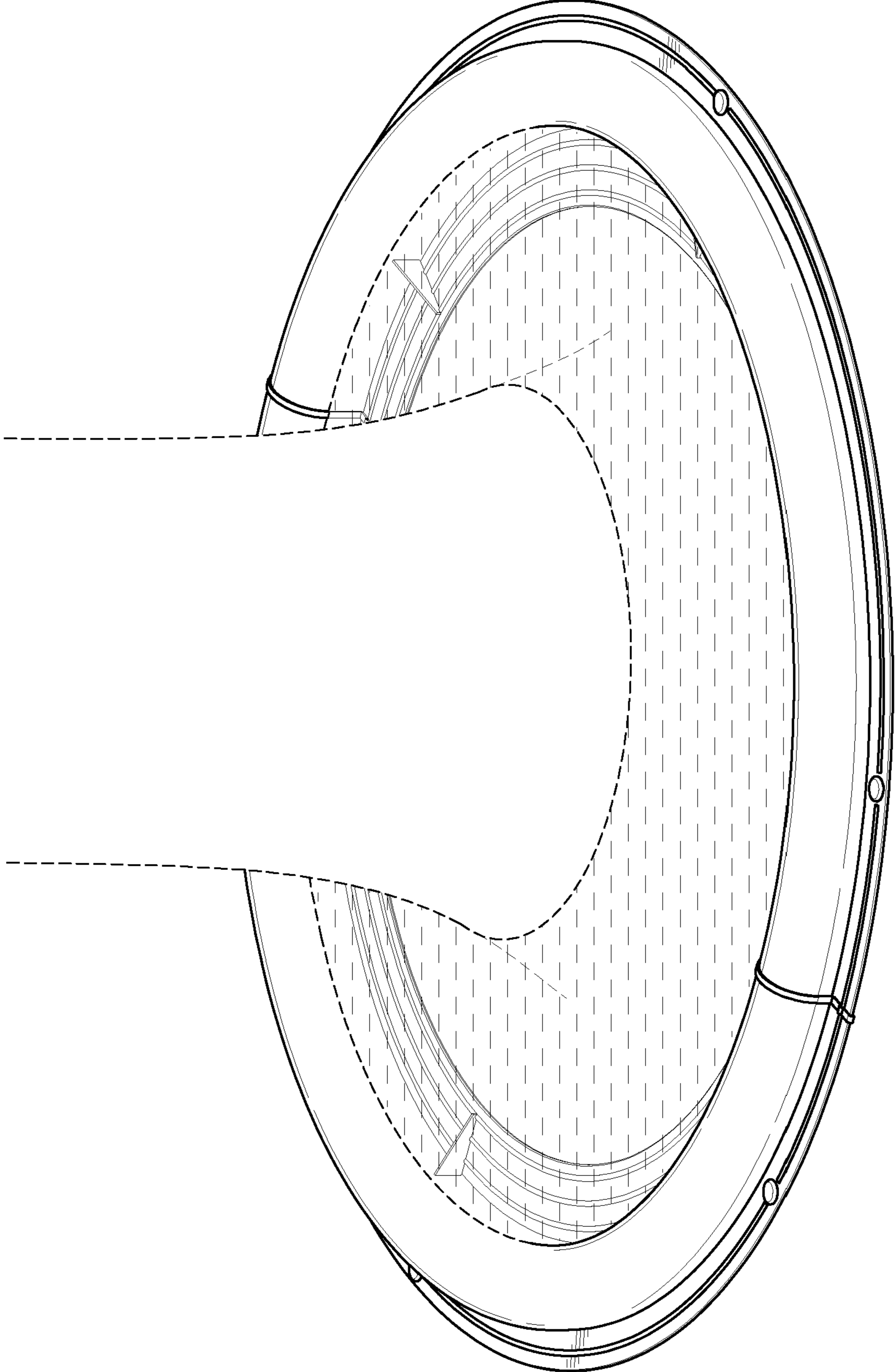


FIG. 6