



US00D562644S

(12) **United States Design Patent**
Siegel et al.

(10) **Patent No.: US D562,644 S**

(45) **Date of Patent: ** Feb. 26, 2008**

(54) **WATER PRESS**

(75) Inventors: **Cynthia Lynn Siegel**, Pleasant Hill, CA (US); **Cristino E. Alegria**, 6121 Elkhorn Ct., Vallejo, CA (US) 94591

(73) Assignees: **Cynthia Siegel**, Pleasant Hill, CA (US); **Cristino E. Alegria**, Vallejo, CA (US)

(**) Term: **14 Years**

(21) Appl. No.: **29/288,095**

(22) Filed: **May 29, 2007**

(51) **LOC (8) Cl.** **07-04**

(52) **U.S. Cl.** **D7/666**

(58) **Field of Classification Search** D7/665-668, D7/672, 674, 368, 669; 99/439, 428, 426, 99/495, 501-513; 100/125, 126, 110, 131, 100/132; 425/338, 409, 410, 422, 495
See application file for complete search history.

(56) **References Cited**

U.S. PATENT DOCUMENTS

- 3,552,711 A * 1/1971 DeLaney et al. 425/409
- 3,934,308 A 1/1976 Neri
- D245,827 S 9/1977 Korpi
- 5,263,408 A 11/1993 Blanchet et al.
- D343,551 S 1/1994 Guajardo
- 5,303,640 A 4/1994 Gaber et al.
- 5,419,245 A 5/1995 Short

- 5,419,250 A 5/1995 Ferguson
- D369,949 S 5/1996 Bocicaut
- D380,941 S 7/1997 Wong
- D540,628 S 4/2007 Meyers et al.

FOREIGN PATENT DOCUMENTS

WO WO 93/05690 A1 4/1993

* cited by examiner

Primary Examiner—Terry A Wallace

(57) **CLAIM**

We claim the ornamental design for the water press, as shown and described.

DESCRIPTION

FIG. 1 is a perspective view of the water press showing our new design;

FIG. 2 is a perspective view thereof showing the various parts;

FIG. 3 is a front view of FIG. 1;

FIG. 4 is a right side view of FIG. 1;

FIG. 5 is a left side view of FIG. 1;

FIG. 6 is a rear view of FIG. 1;

FIG. 7 is a bottom view of FIG. 1; and,

FIG. 8 is a top view of FIG. 1.

1 Claim, 8 Drawing Sheets

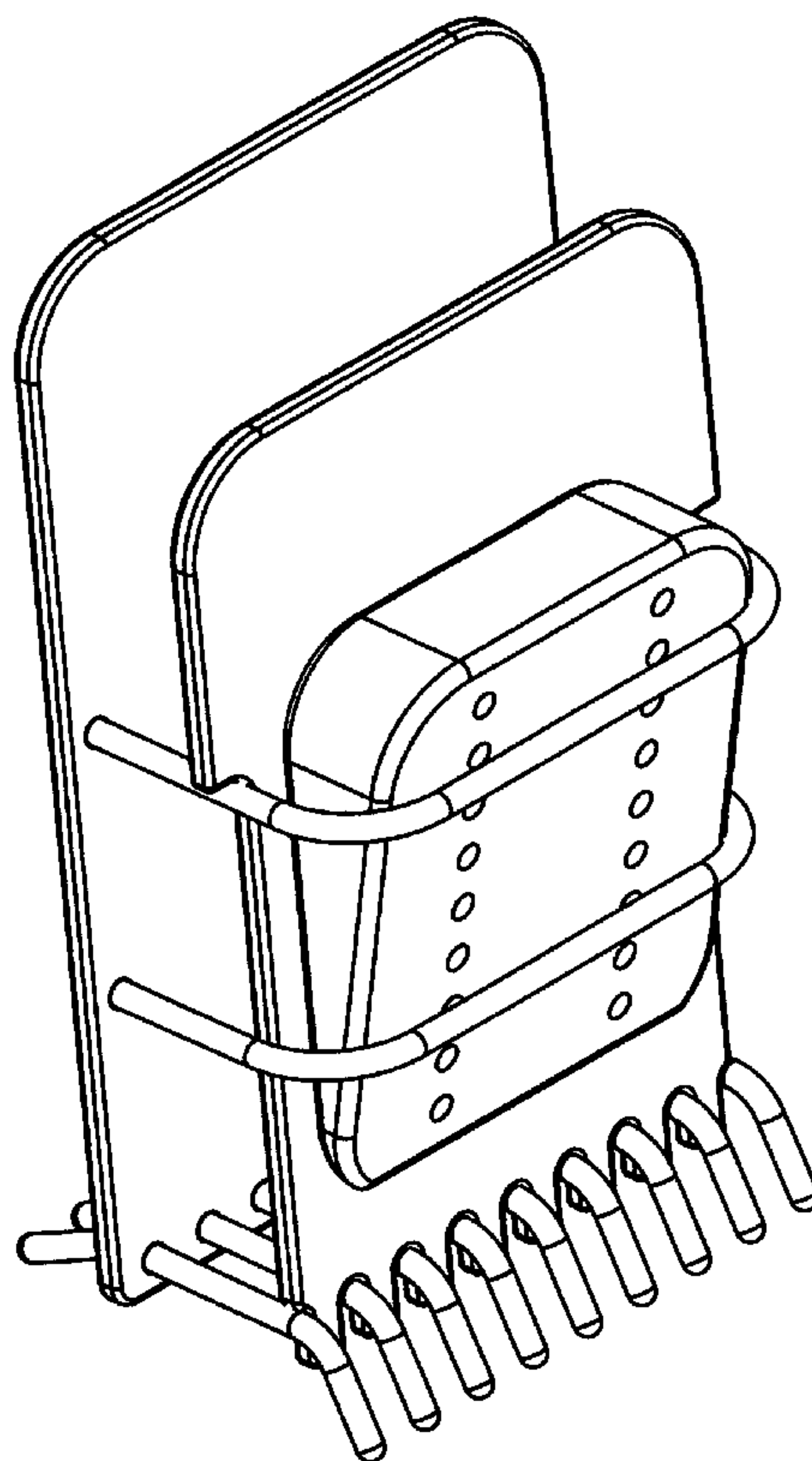




Fig. 1

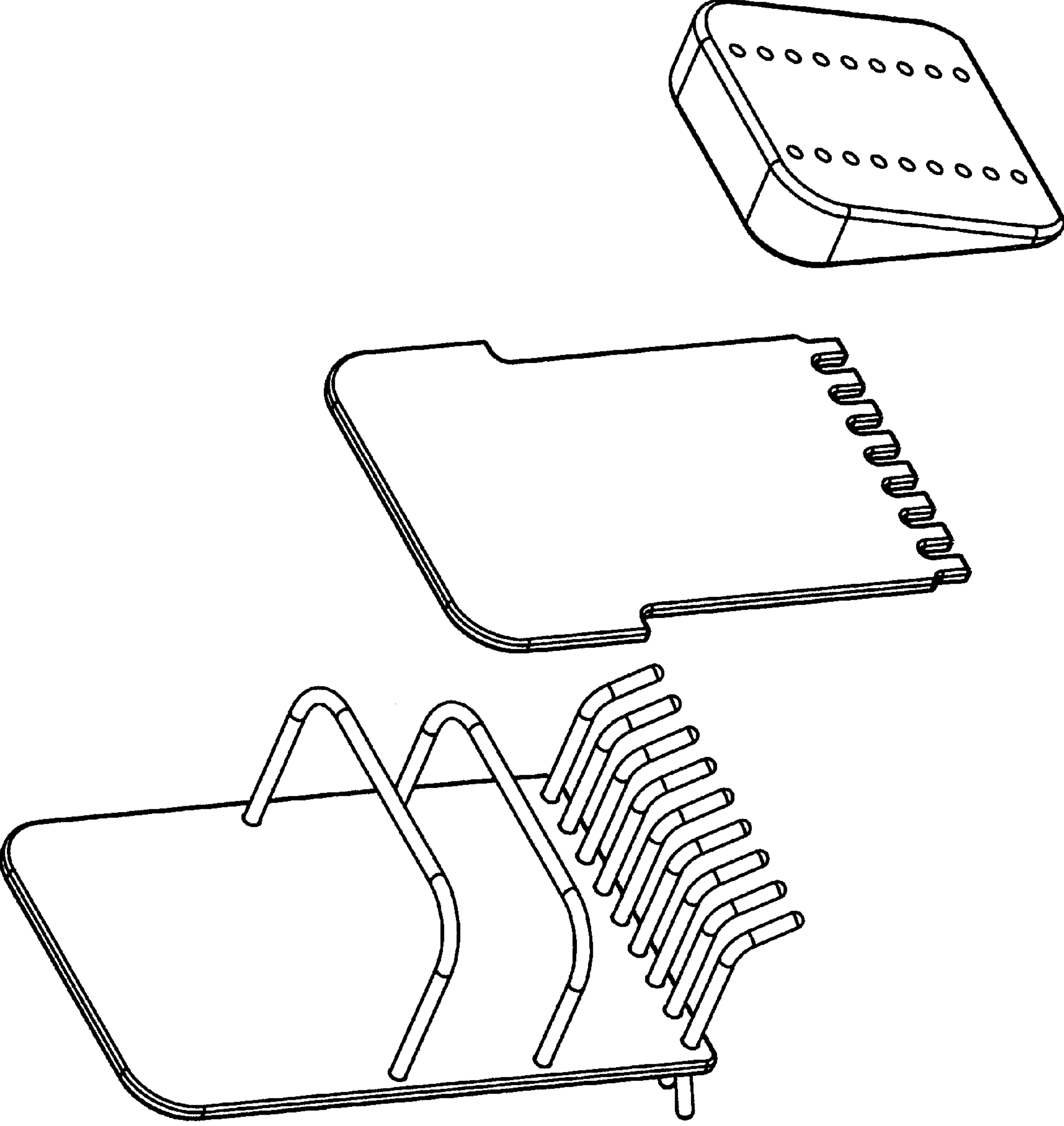


Fig. 2

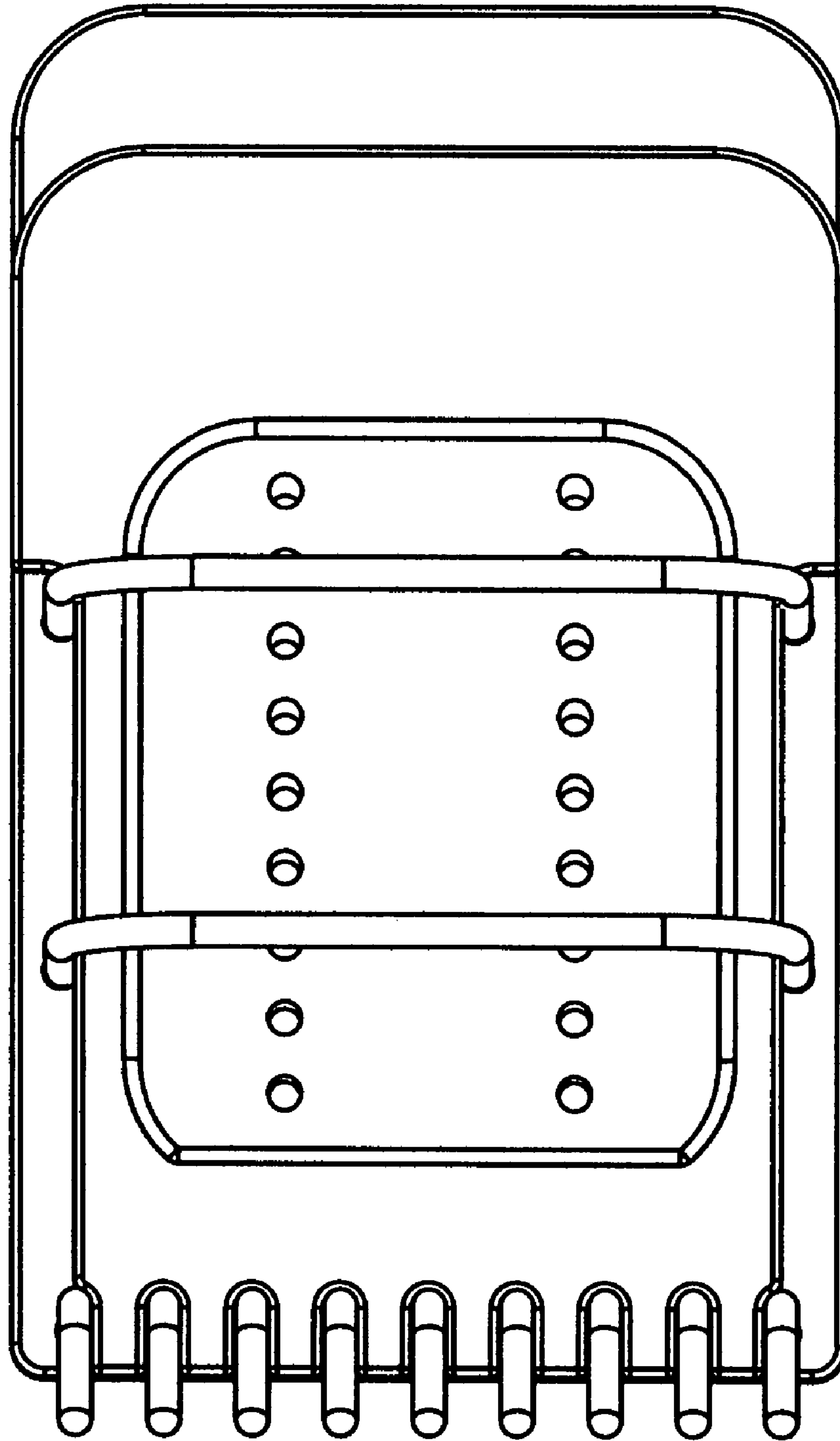


Fig. 3

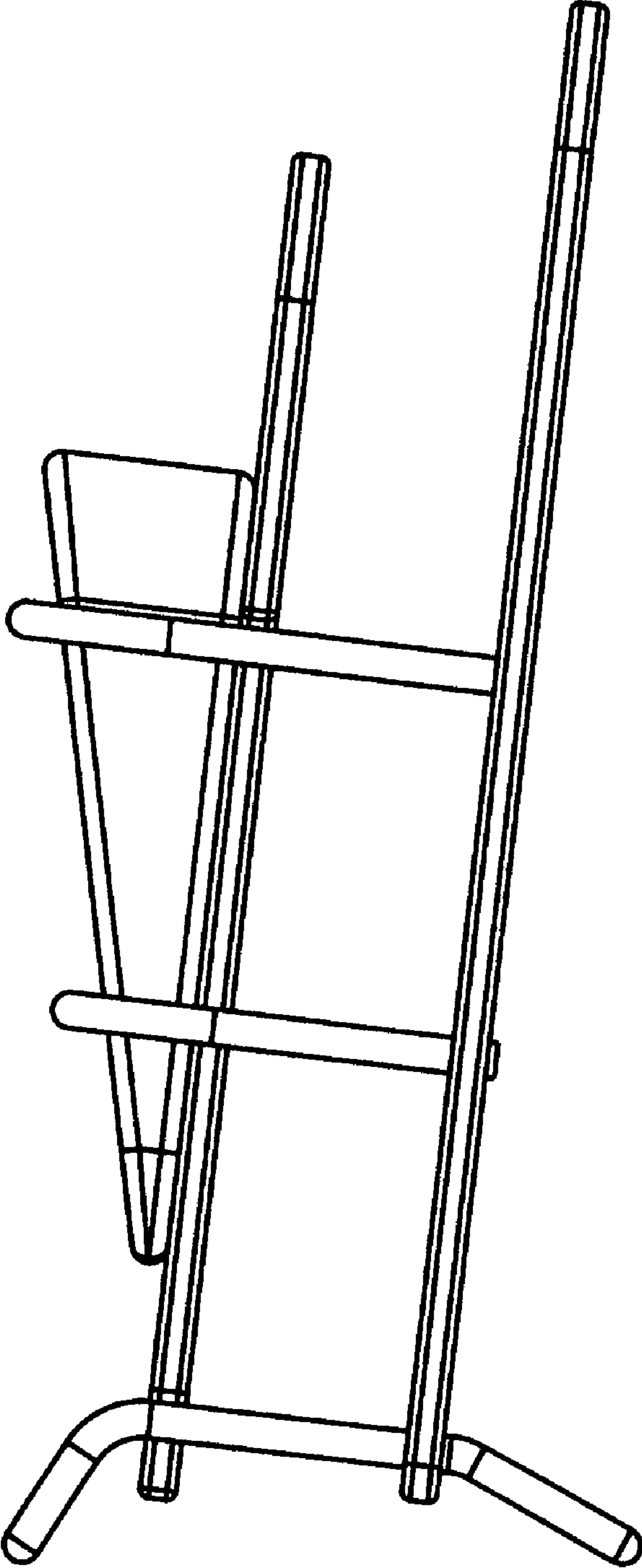


Fig 4

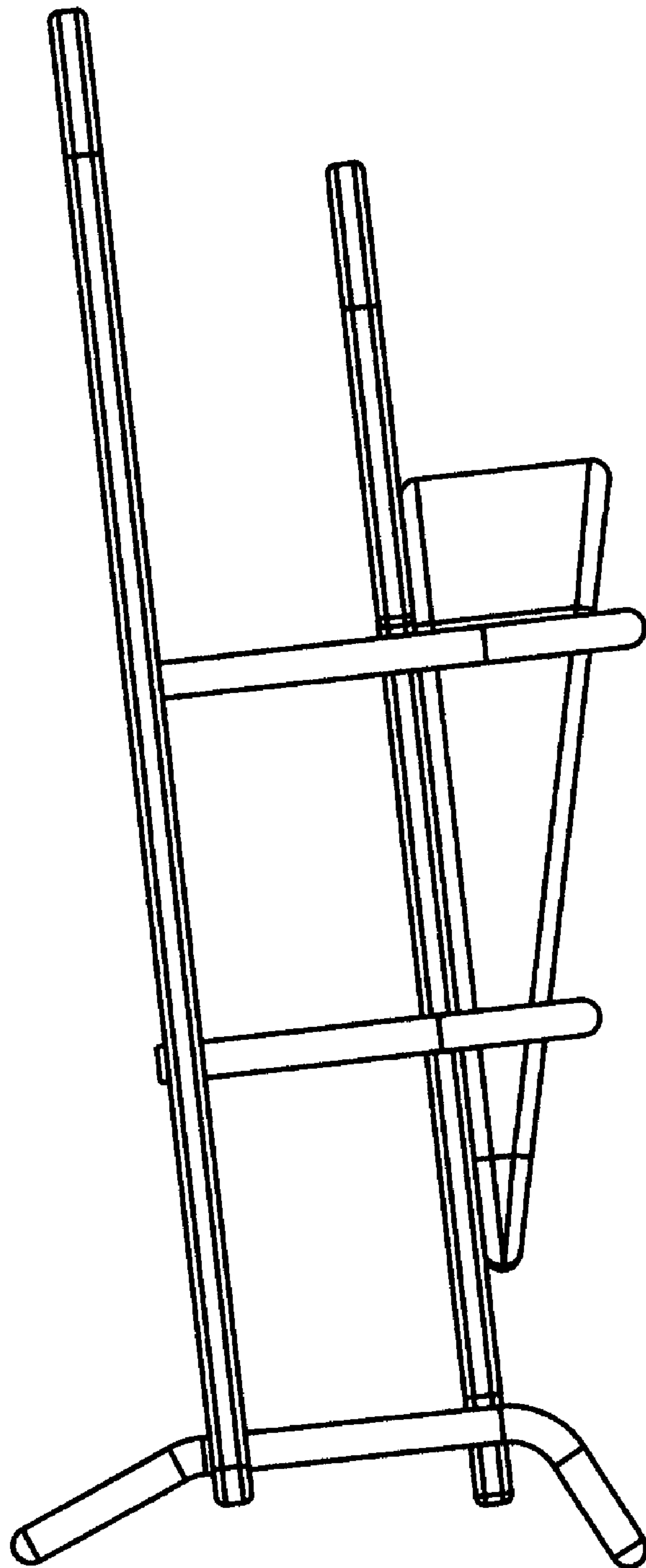


Fig. 5

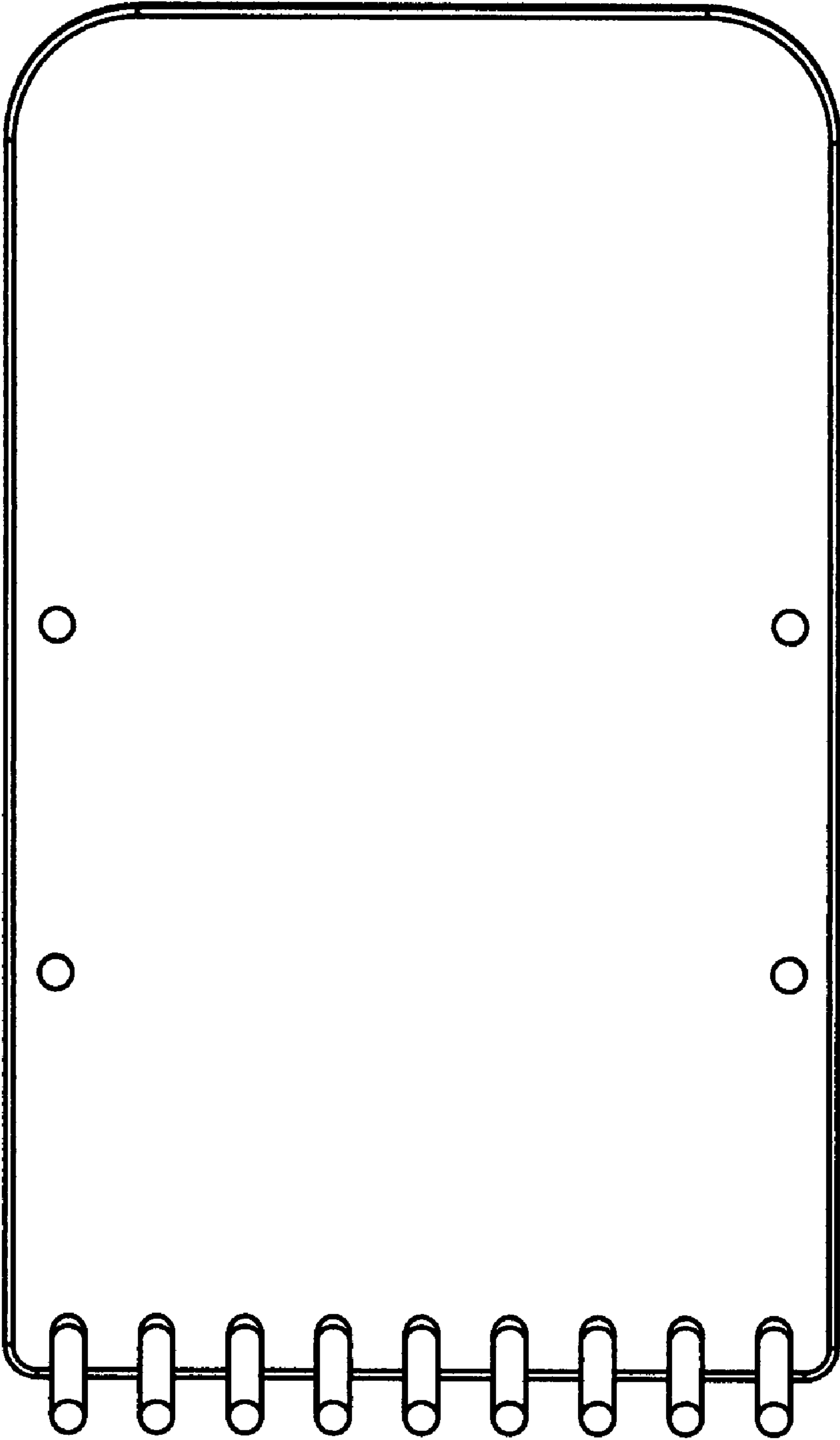


Fig. 6

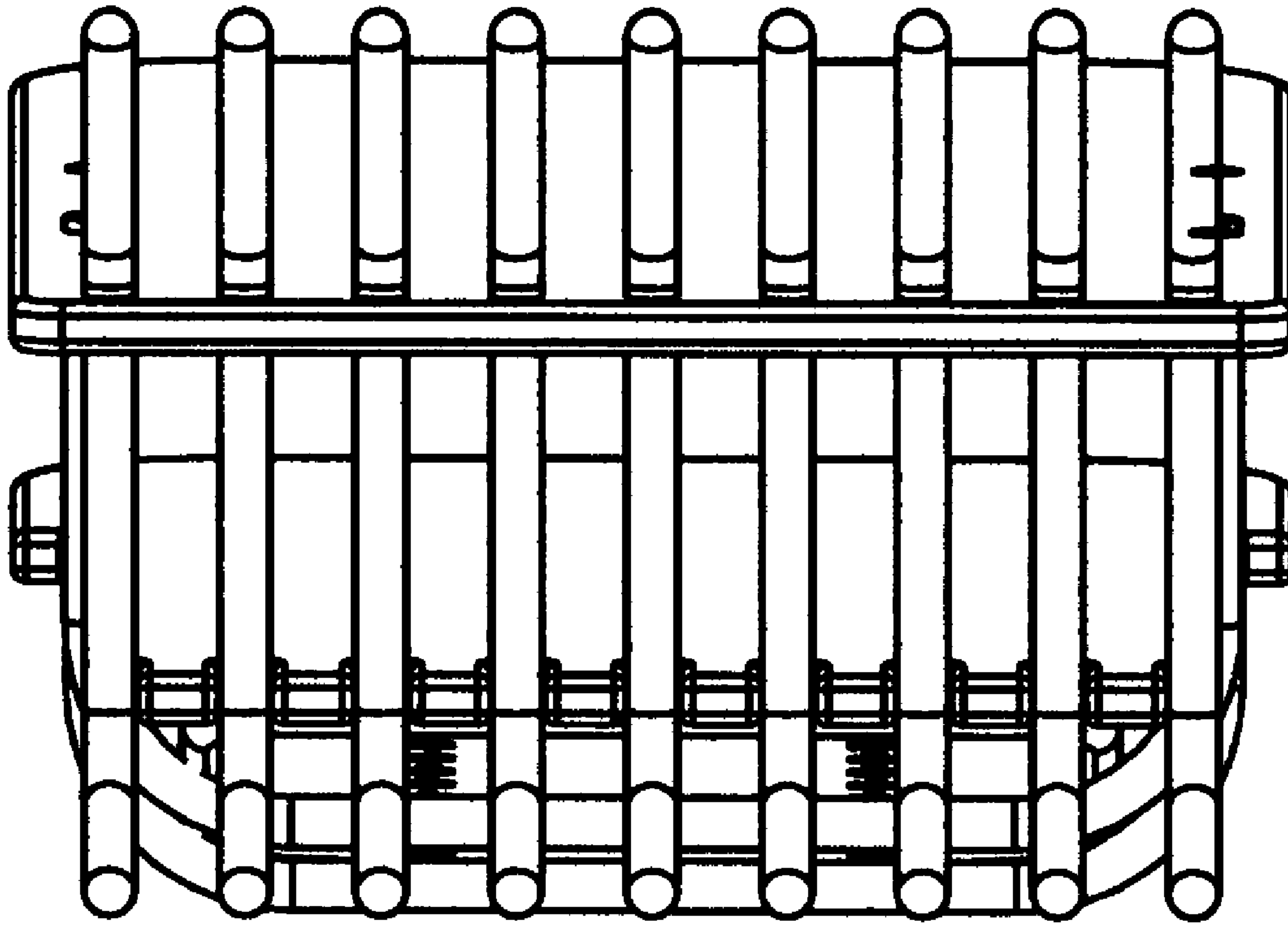


Fig. 7

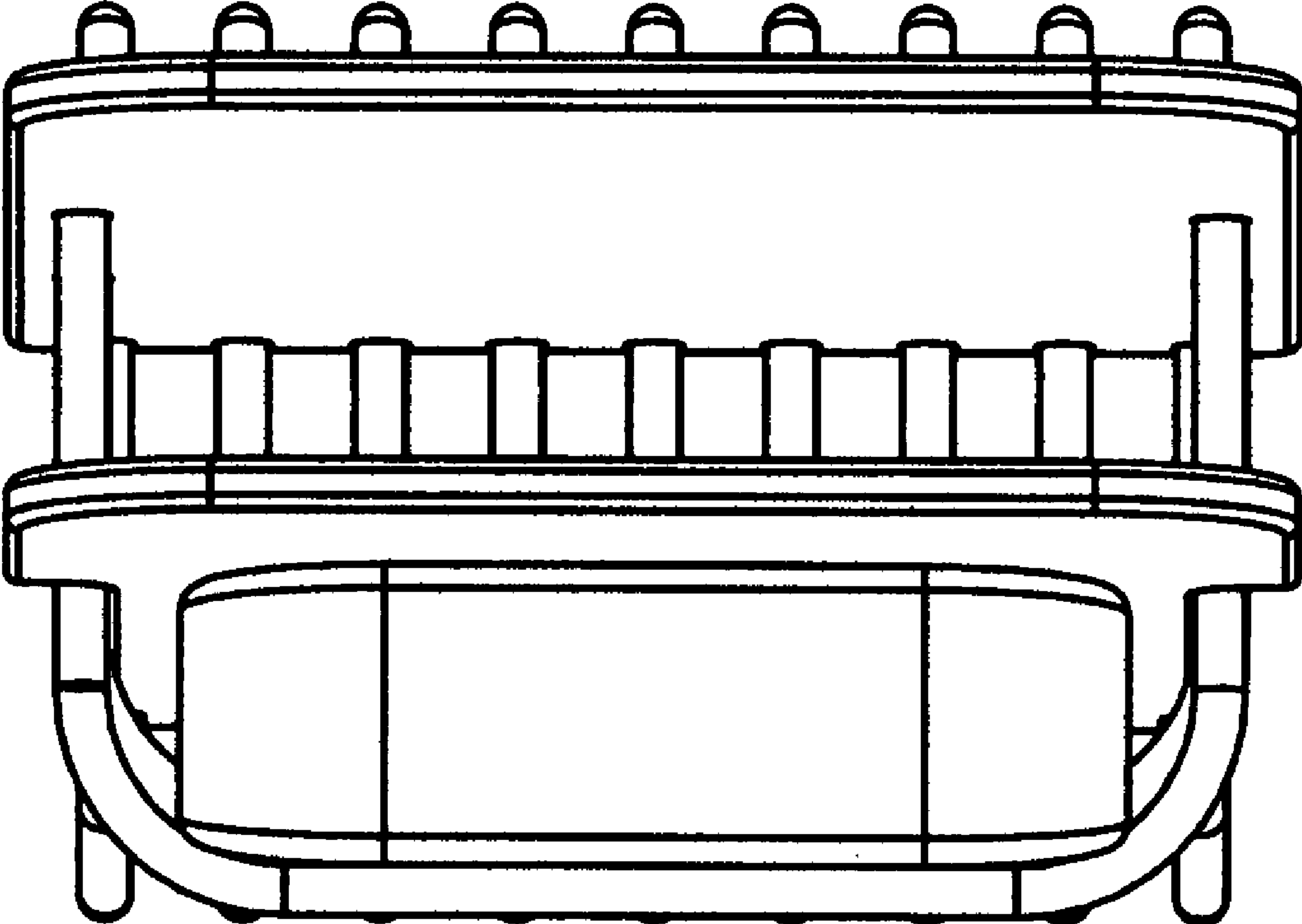


Fig.8