

US00D562640S

(12) **United States Design Patent**
Tucker et al.

(10) **Patent No.: US D562,640 S**
(45) **Date of Patent: ** Feb. 26, 2008**

(54) **CONTAINER FOR FOOD**

(75) Inventors: **Edward B. Tucker**, Yorkville, IL (US);
Anand Ramanujam, Oakville (CA);
Lawrence John Racana, Willowbrook,
IL (US); **Ares Marasligiller**, Cincinnati,
OH (US); **Jason Phillips**, Cincinnati,
OH (US); **Yashodhan Dhuru**,
Cincinnati, OH (US); **Gordon D.**
Thomas, Mason, OH (US); **Scott**
Zieker, Cincinnati, OH (US)

(73) Assignee: **The Glad Products Company**,
Oakland, CA (US)

(**) Term: **14 Years**

(21) Appl. No.: **29/254,060**

(22) Filed: **Feb. 15, 2006**

(51) **LOC (8) Cl.** **07-04**

(52) **U.S. Cl.** **D7/629; D7/542**

(58) **Field of Classification Search** D7/317-319,
D7/391-392.1, 396.2, 510-511, 550.1, 601-602,
D7/629; D9/414, 418, 420-425, 428-430,
D9/435, 436, 440-454, 503-504; D3/273,
D3/274; 206/216, 457, 508, 541, 557, 822;
215/200, 211, 224, 243; 220/213, 351-376,
220/601, 669, 674, 675, 700-703, 711-715,
220/719, 783, 789, 790, 796, 797; 229/108,
229/114, 116.1, 120.14, 122.27, 406, 407,
229/902-906, 938; 426/106, 129, 130
See application file for complete search history.

(56) **References Cited**

U.S. PATENT DOCUMENTS

3,401,825 A * 9/1968 Weiss 220/787
D282,616 S * 2/1986 Gallagher et al. D7/392.1
D336,596 S * 6/1993 Osgood et al. D7/608
D411,714 S * 6/1999 Wilson et al. D7/629

D415,385 S * 10/1999 Loew et al. D7/392.1
D415,652 S * 10/1999 Loew et al. D7/392.1
D417,367 S * 12/1999 Laib D7/602
D417,817 S * 12/1999 Loew et al. D7/392.1
D419,371 S * 1/2000 Haley D7/392.1
D419,394 S * 1/2000 Wilson et al. D7/629
6,168,044 B1 * 1/2001 Zettle et al. 220/784
D443,484 S * 6/2001 Maxwell et al. D7/629
D445,650 S * 7/2001 Maxwell et al. D7/629
D445,687 S * 7/2001 Gilbertson D9/454
D476,861 S * 7/2003 Zettle et al. D7/629
D480,264 S * 10/2003 de Groote et al. D7/392.1
D506,106 S * 6/2005 Ordiway et al. D7/629
D507,155 S * 7/2005 Gosen et al. D7/629
D519,327 S * 4/2006 Tucker et al. D7/629

* cited by examiner

Primary Examiner—Cathron C. Brooks

Assistant Examiner—Ricky Pham

(74) *Attorney, Agent, or Firm*—Thomas C. Feix

(57) **CLAIM**

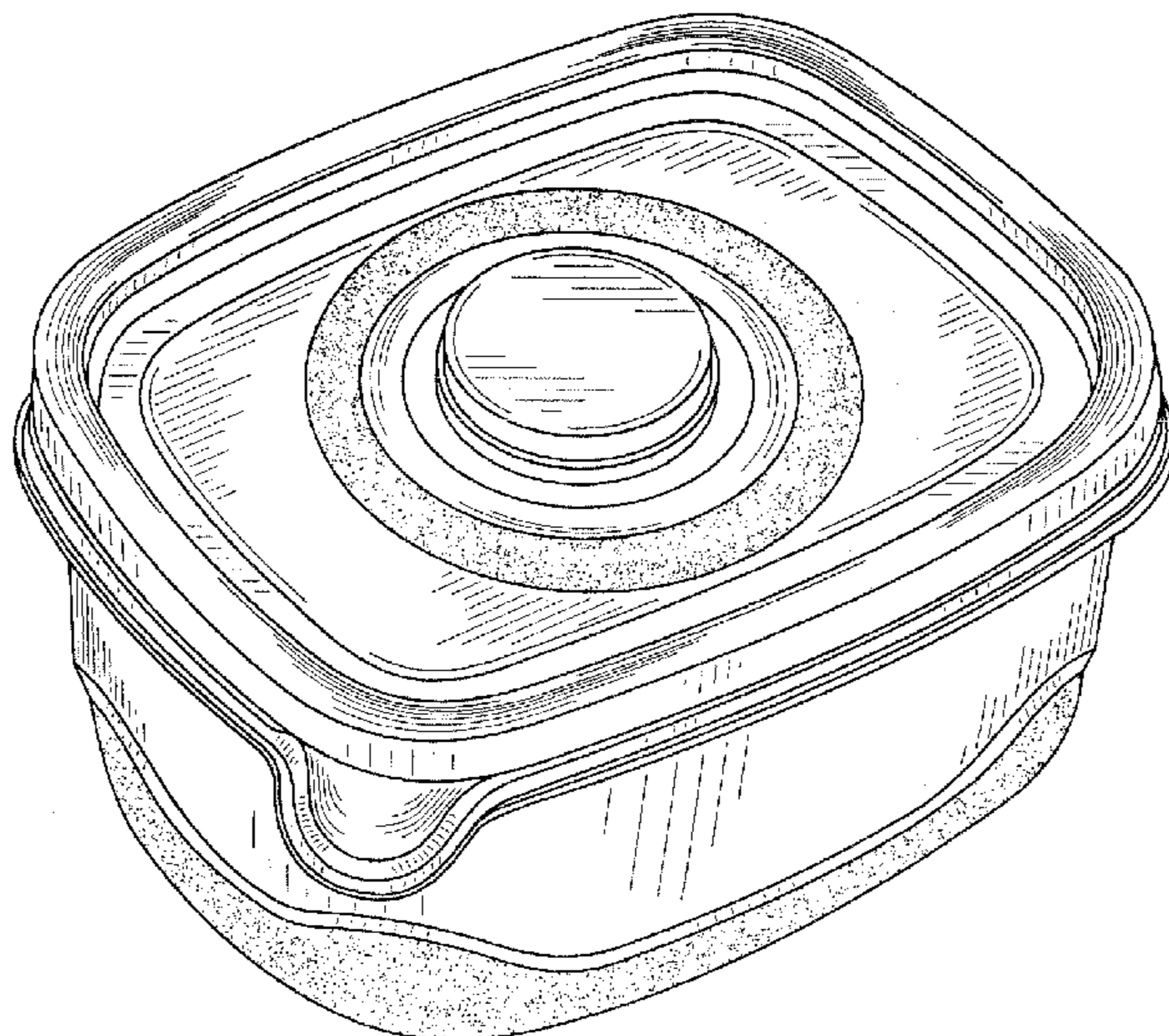
The ornamental design for a container for food, as shown.

DESCRIPTION

FIG. 1 is a front perspective view of a container for food showing our new design;
FIG. 2 is a top plan view thereof;
FIG. 3 is a bottom plan view thereof;
FIG. 4 is a front elevational view thereof;
FIG. 5; is a right side elevational view thereof;
FIG. 6 is a left side elevational view thereof; and,
FIG. 7 is a rear elevational view thereof.

The broken lines shown in the drawings are for illustrating portions of the container for food that form no part of the claimed design.

1 Claim, 2 Drawing Sheets



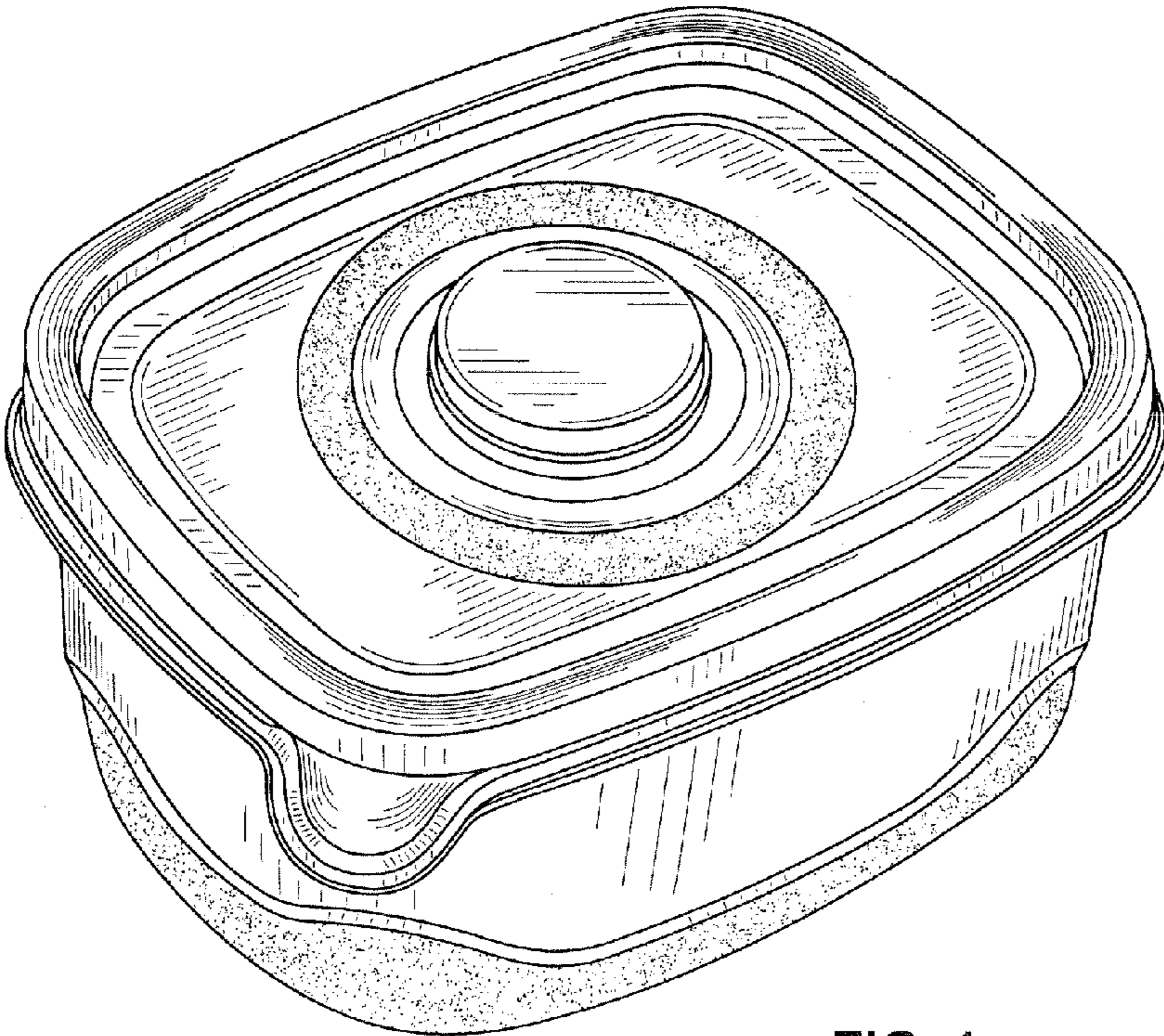


FIG. 1

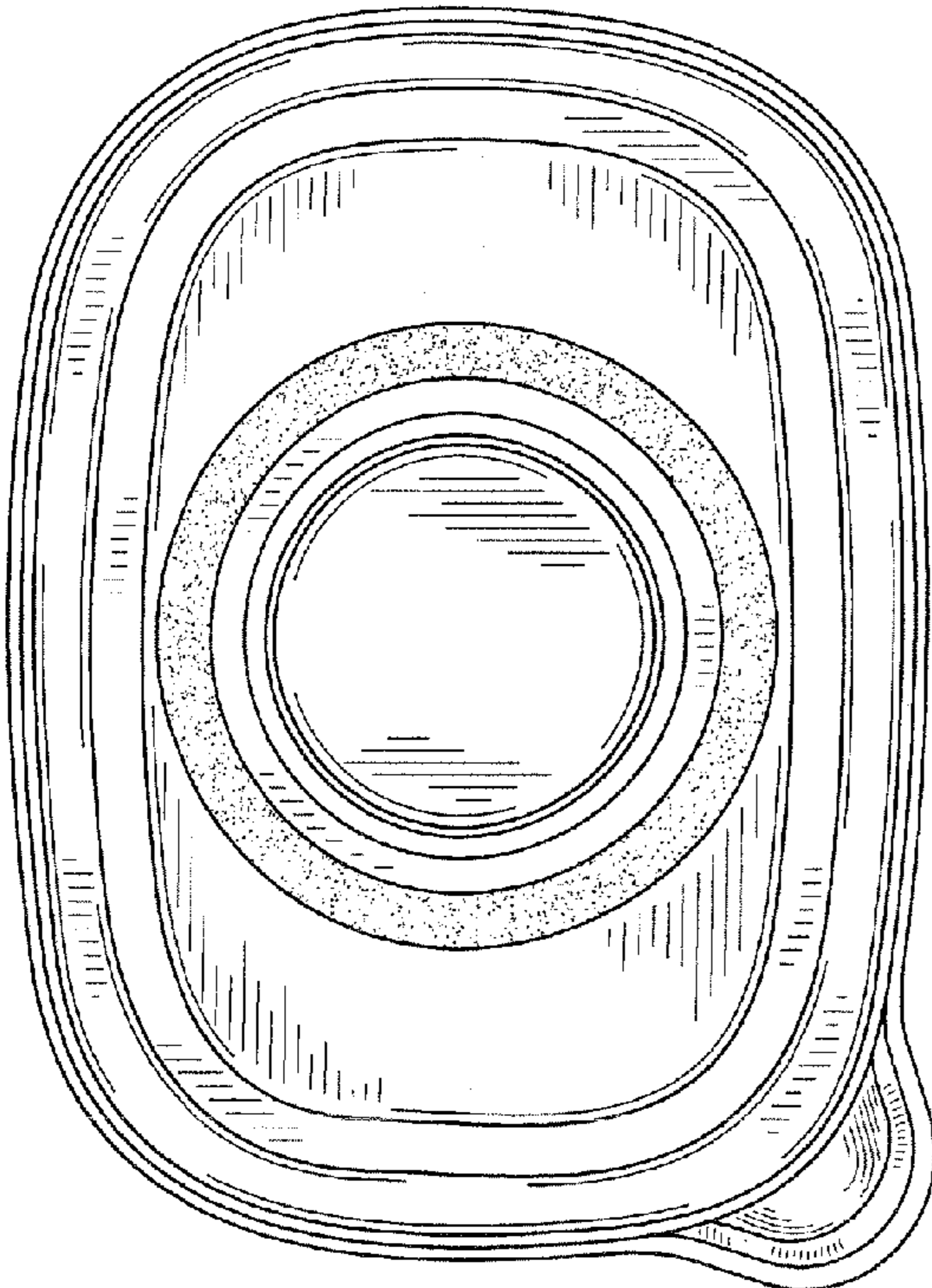


FIG. 2

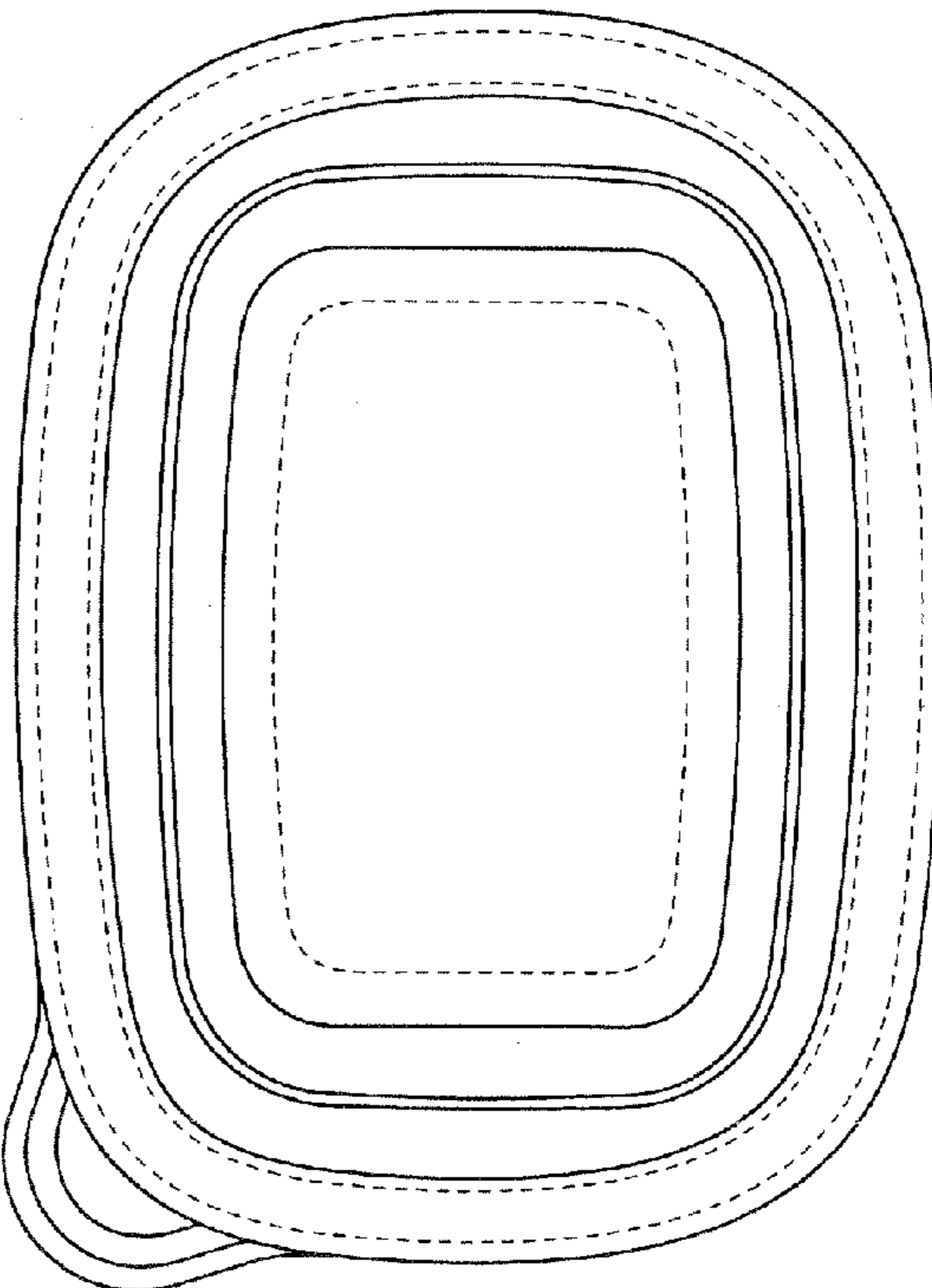


FIG. 3

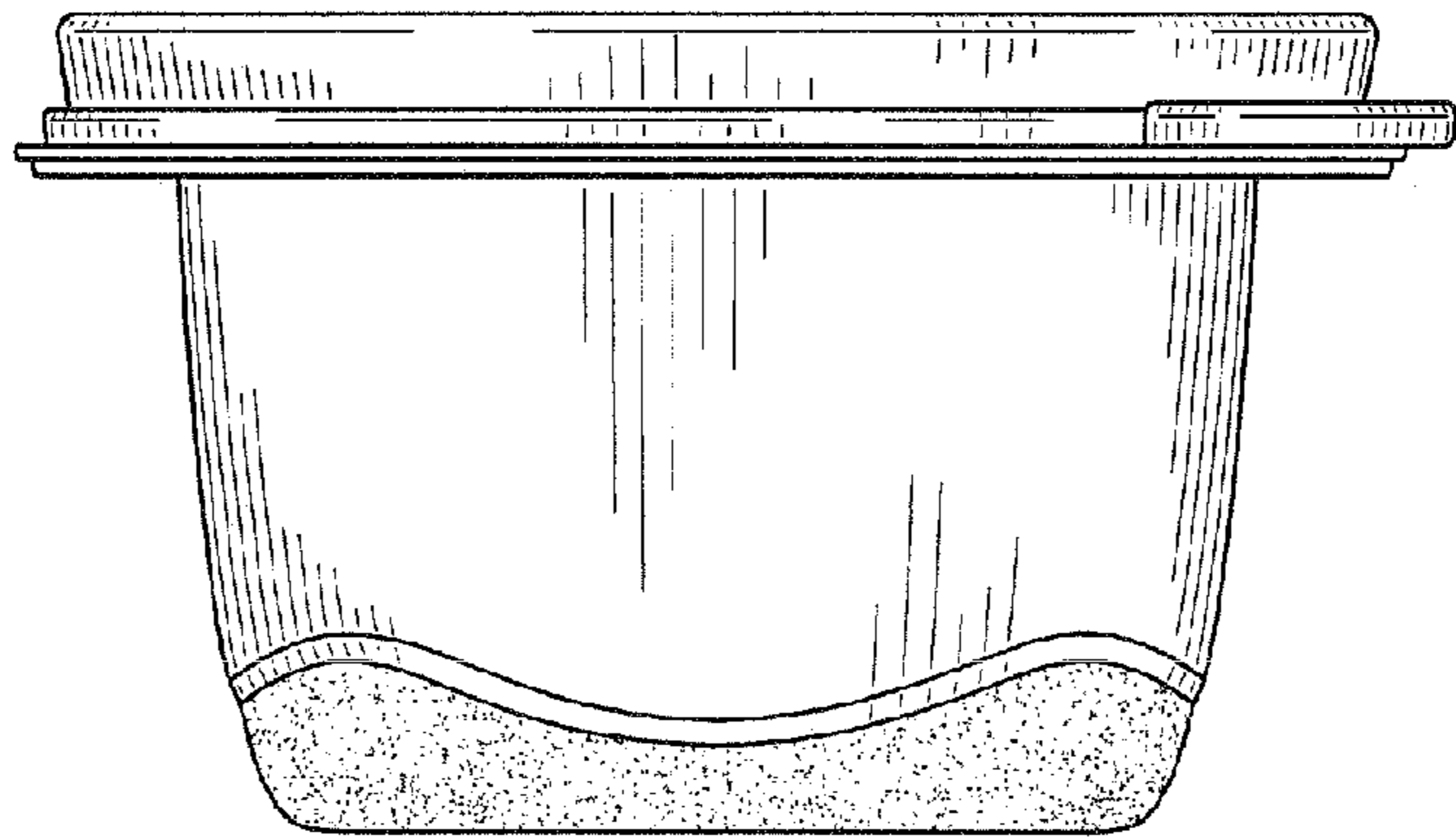


FIG. 4

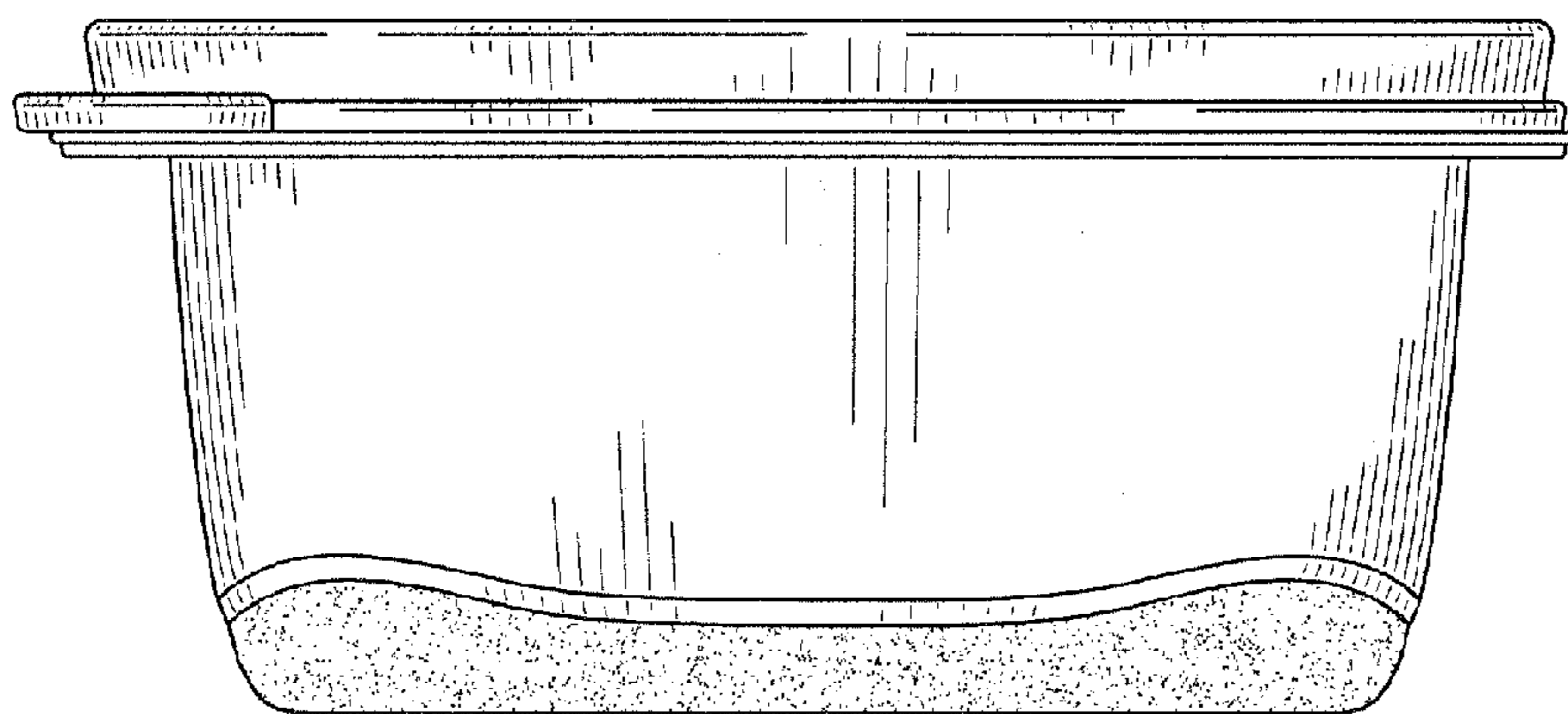


FIG. 5

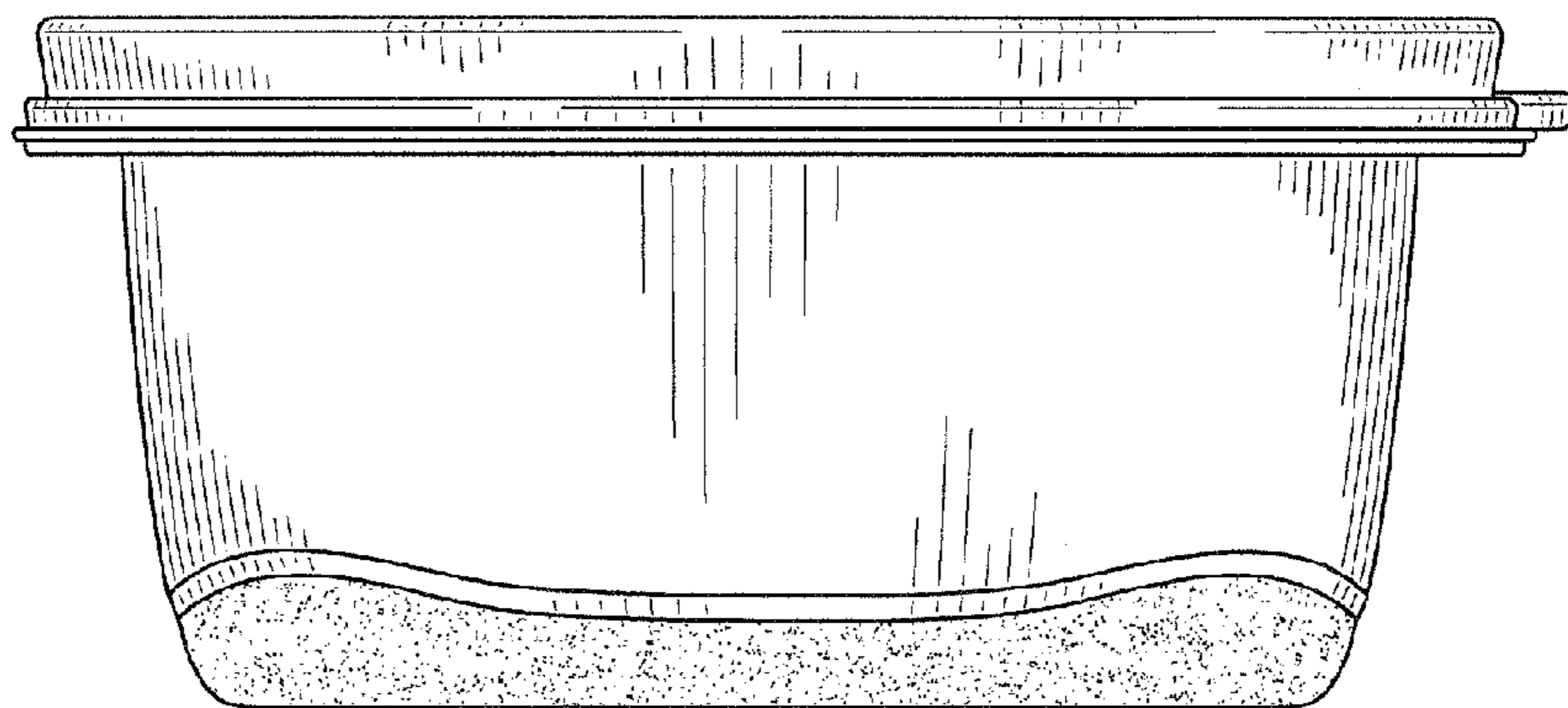


FIG. 6

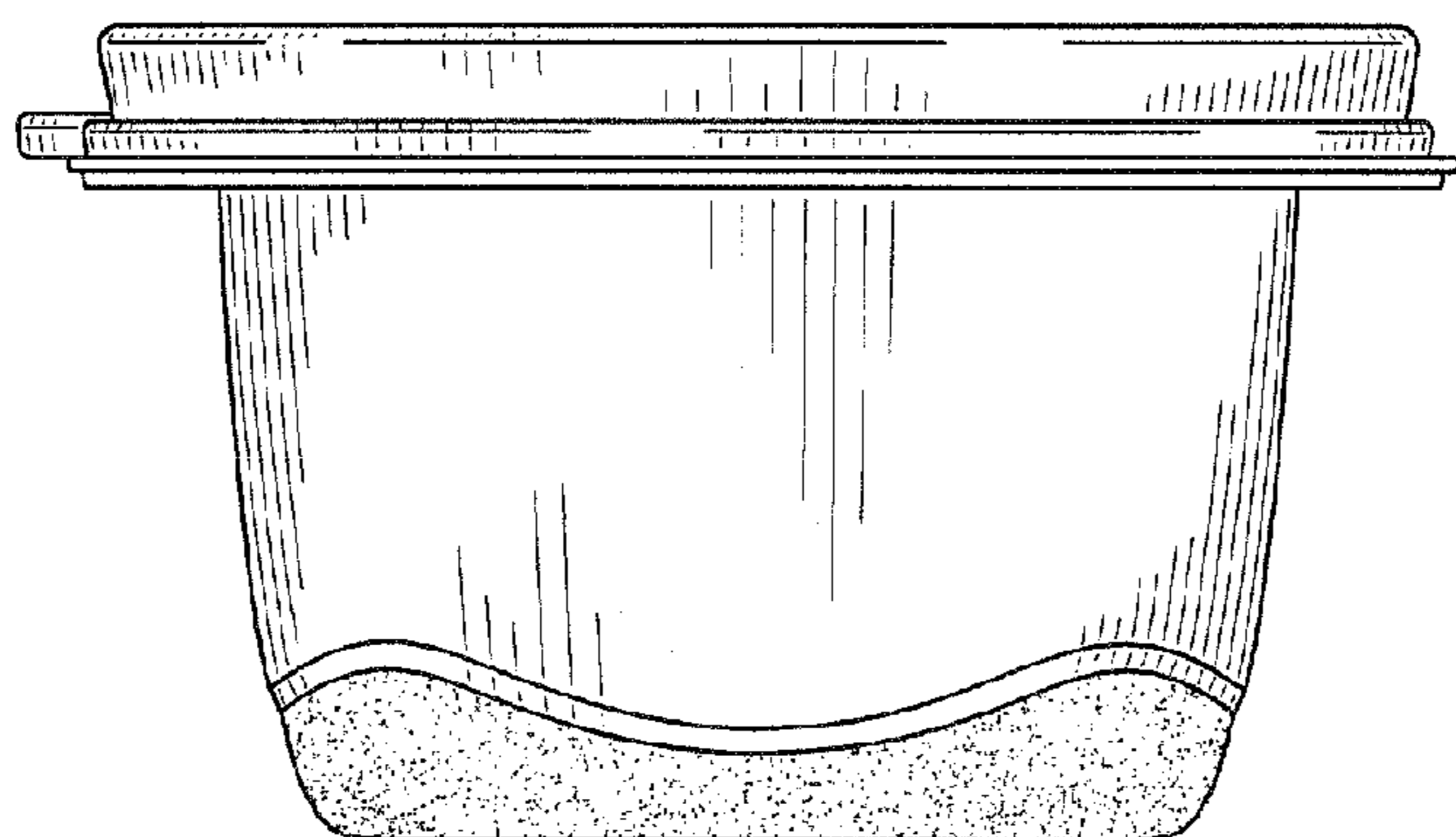


FIG. 7