



US00D562637S

(12) **United States Design Patent**  
**Gruneisen, III**

(10) **Patent No.:** **US D562,637 S**

(45) **Date of Patent:** **\*\* Feb. 26, 2008**

(54) **TRAY**

(75) **Inventor:** **Albert H. Gruneisen, III**, Louisville,  
KY (US)

(73) **Assignee:** **On Premises Services, Inc.**, Louisville,  
KY (US)

(\*\*) **Term:** **14 Years**

(21) **Appl. No.:** **29/255,576**

(22) **Filed:** **Mar. 9, 2006**

(51) **LOC (8) Cl.** ..... **07-01**

(52) **U.S. Cl.** ..... **D7/553.2**

(58) **Field of Classification Search** ..... D7/501,  
D7/550.1, 552.2, 553.1, 553.2, 553.5, 553.6,  
D7/553.7, 554.1, 554.4, 555, 557, 546, 548,  
D7/584, 586, 587; 220/574, 575, 516; 206/557,  
206/564; 294/172; D19/35

See application file for complete search history.

(56) **References Cited**

**U.S. PATENT DOCUMENTS**

D132,425 S \* 5/1942 Erickson ..... D7/553.5  
D199,684 S \* 12/1964 Lombardo ..... D7/553.2  
D206,760 S \* 1/1967 Kirwan ..... D7/553.5  
D206,763 S \* 1/1967 Kirwan ..... D7/553.5  
D208,260 S \* 8/1967 Meyer ..... D7/553.5  
D219,240 S \* 11/1970 Bridges ..... D7/553.5  
3,608,770 A \* 9/1971 Naimoli ..... 220/575  
D226,125 S \* 1/1973 Robinson ..... D7/553.2  
D261,589 S \* 11/1981 Herbst ..... D7/553.5

D264,538 S \* 5/1982 Pomroy ..... D7/553.2  
D267,766 S \* 2/1983 Storrs ..... D7/553.5  
D289,247 S \* 4/1987 Wang ..... D7/555  
D292,768 S \* 11/1987 Kearney ..... D7/553.5  
4,964,514 A \* 10/1990 Wycech ..... 206/564  
D338,135 S \* 8/1993 Anderson ..... D7/553.5  
D338,808 S \* 8/1993 Anderson ..... D7/553.5  
D353,515 S \* 12/1994 Anderson ..... D7/553.5  
D355,333 S \* 2/1995 Campbell ..... D7/553.2  
D436,500 S \* 1/2001 Kearney ..... D7/553.5  
D508,633 S \* 8/2005 Kozlowski et al. .... D7/553.2

\* cited by examiner

*Primary Examiner*—Charles A. Rademaker

(74) *Attorney, Agent, or Firm*—James C. Eaves, Jr.;  
Greenebaum Doll & McDonald PLLC

(57) **CLAIM**

The ornamental design for a tray, as shown and described.

**DESCRIPTION**

FIG. 1 is a top perspective view of a tray showing my new design;

FIG. 2 is a top plan view thereof;

FIG. 3 is a front elevation thereof;

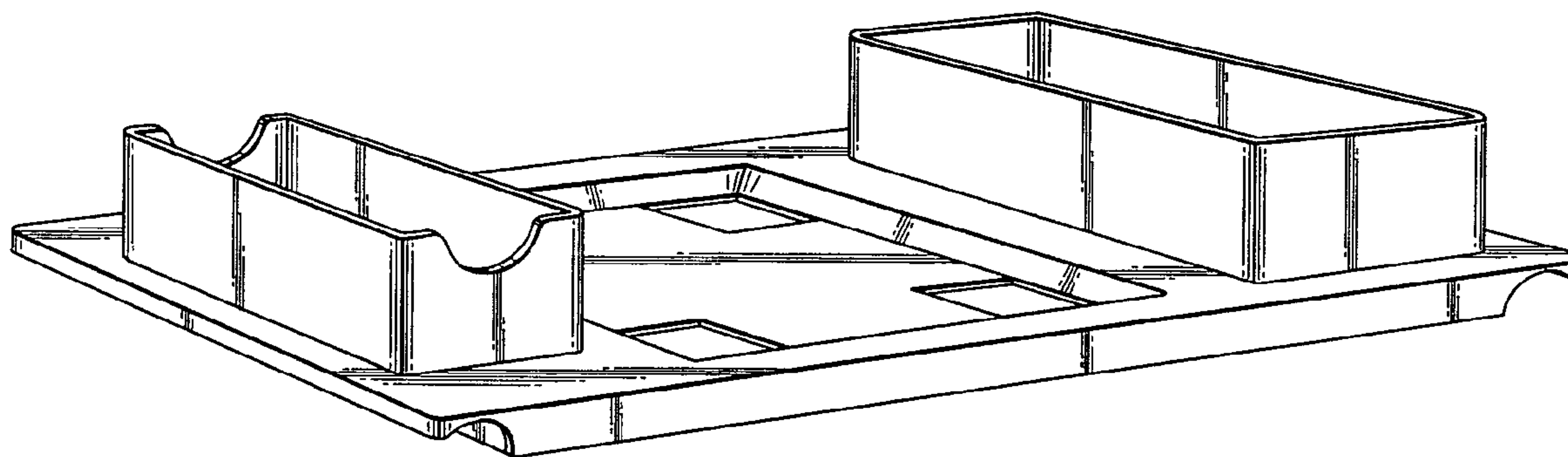
FIG. 4 is a rear elevation thereof;

FIG. 5 is a left side elevation thereof;

FIG. 6 is a right side elevation thereof; and,

FIG. 7 is a bottom plan view thereof.

**1 Claim, 5 Drawing Sheets**



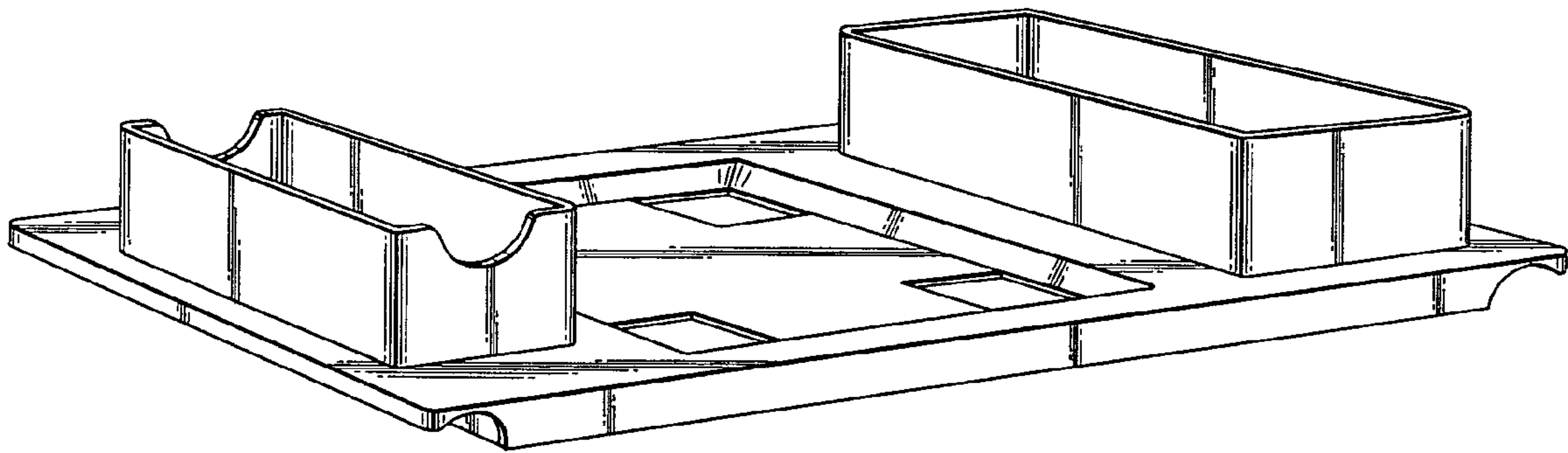


FIG. 1

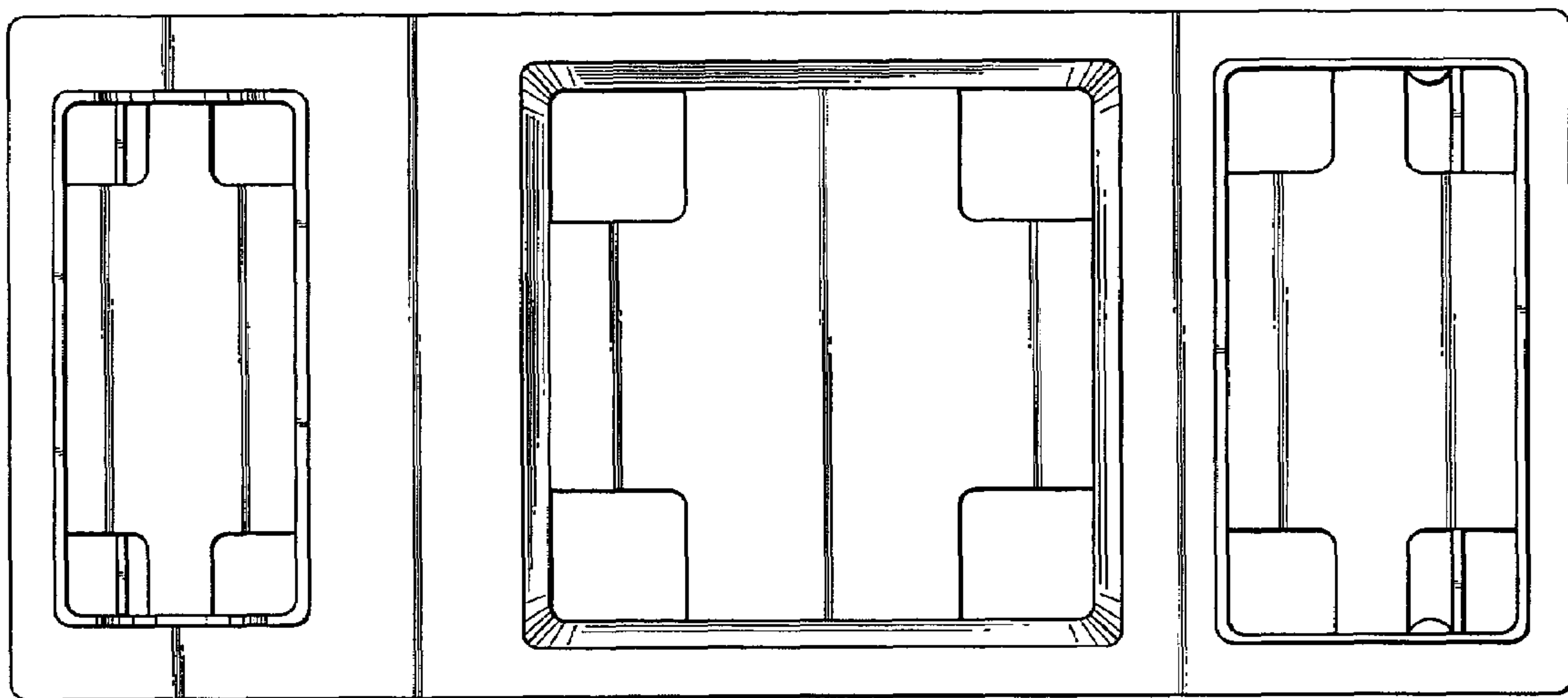


FIG. 2

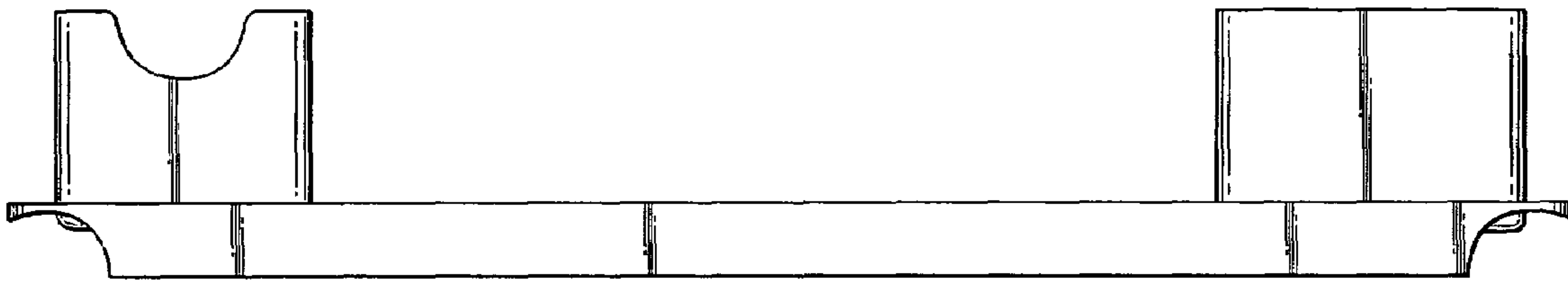


FIG. 3

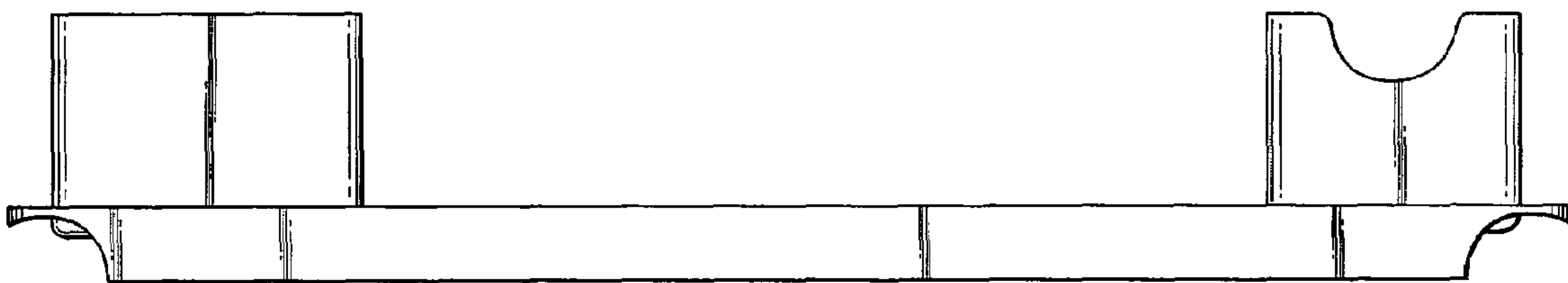


FIG. 4

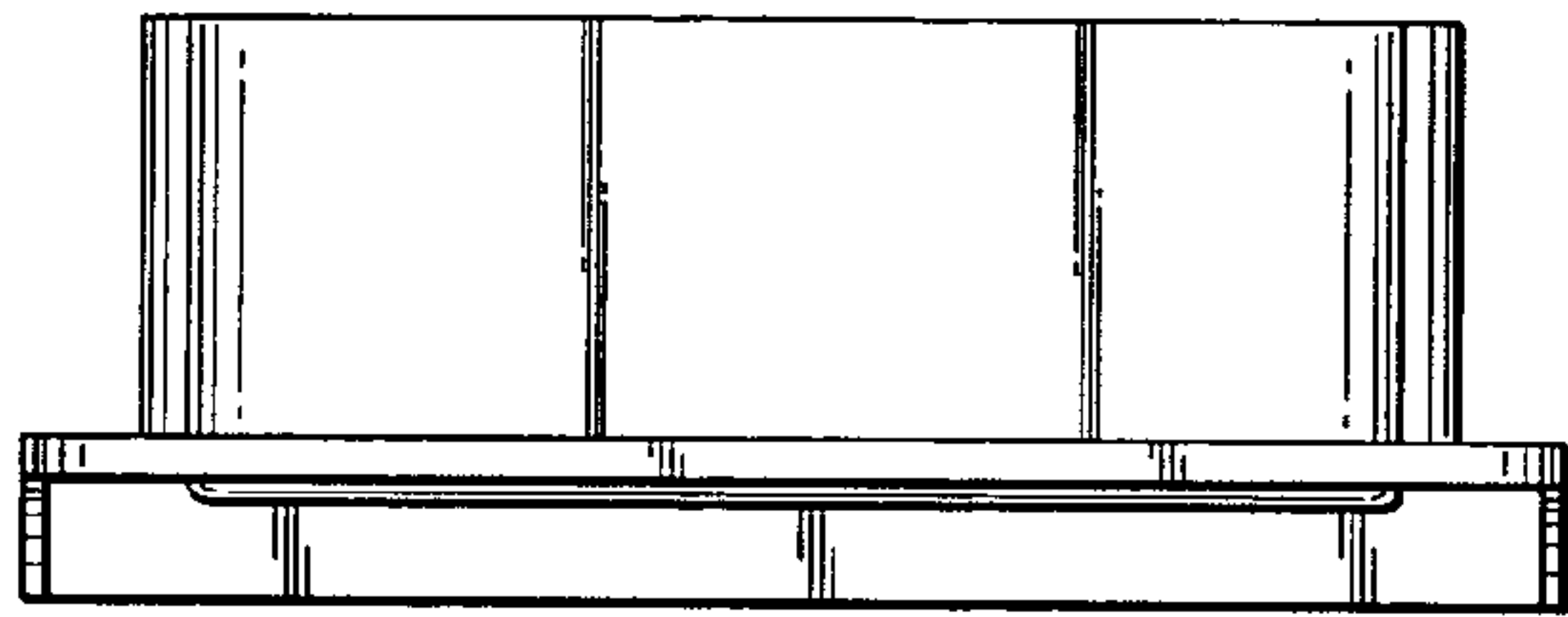


FIG. 5

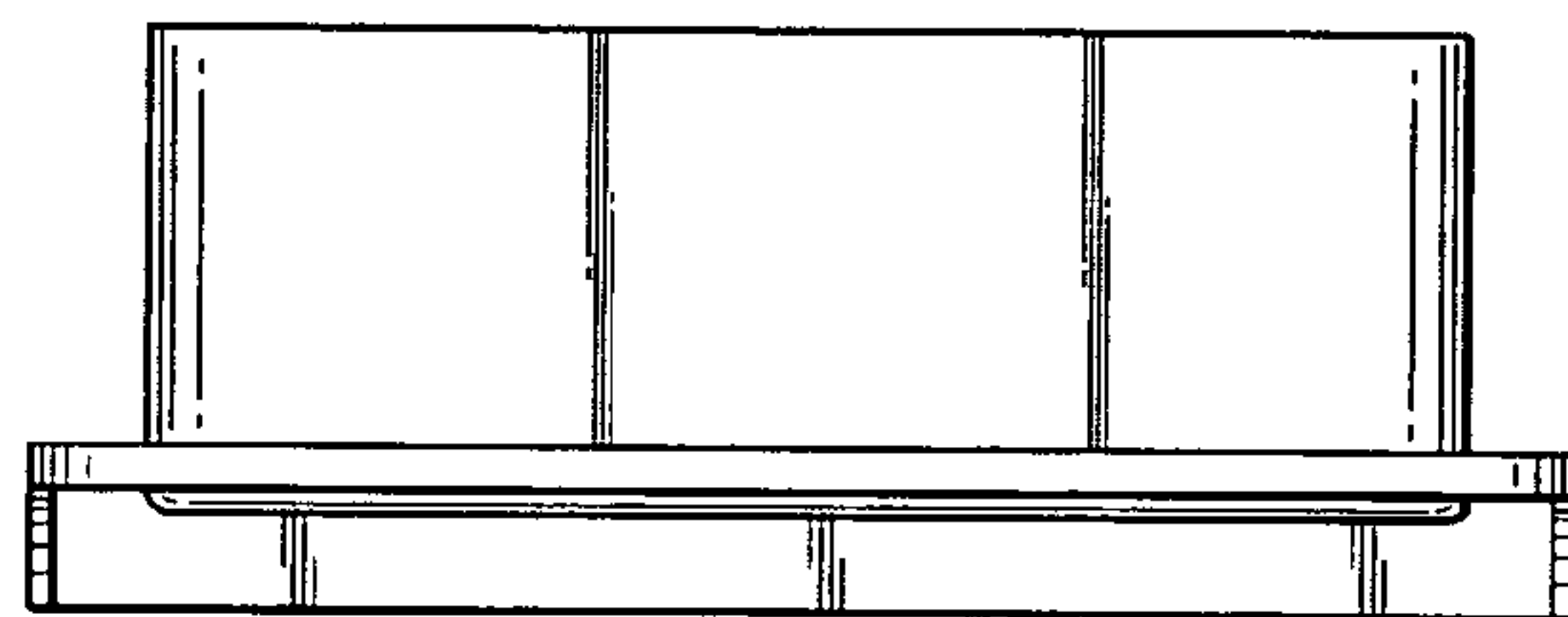


FIG. 6

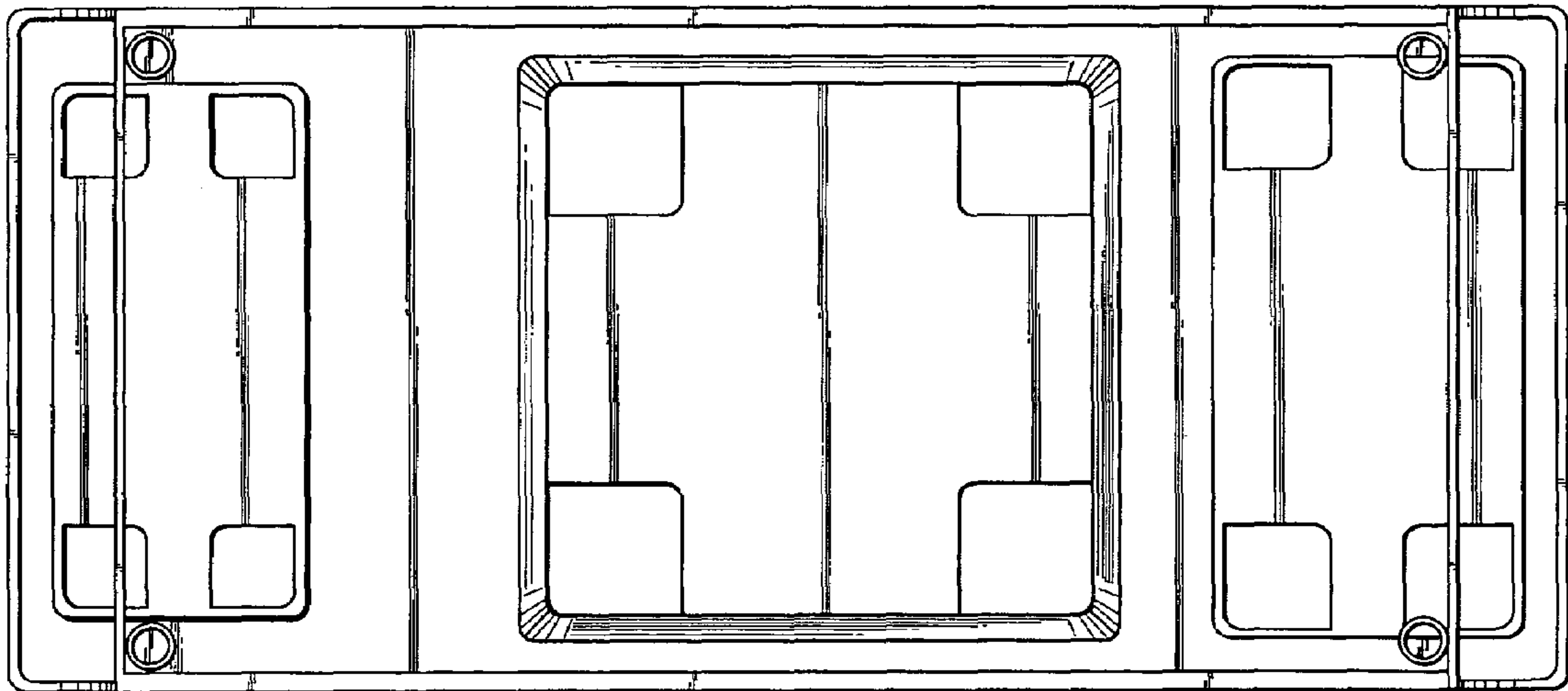


FIG. 7