



US00D562636S

(12) **United States Design Patent**  
**Weber**

(10) **Patent No.:** **US D562,636 S**

(45) **Date of Patent:** **\*\* Feb. 26, 2008**

(54) **TEA-CUP**

(75) **Inventor:** **Charlotte Weber, Trier (DE)**

(73) **Assignee:** **Villeroy & Boch AG, Mettlach (DE)**

(\*\*) **Term:** **14 Years**

(21) **Appl. No.:** **29/288,490**

(22) **Filed:** **Jun. 12, 2007**

(30) **Foreign Application Priority Data**

Dec. 13, 2006 (EM) ..... 000637350

(51) **LOC (8) Cl.** ..... **07-01**

(52) **U.S. Cl.** ..... **D7/536; D7/533; D7/509**

(58) **Field of Classification Search** ..... D7/500,  
D7/509, 523, 532, 533, 536, 544, 300, 584;  
D9/530, 537, 538, 549, 556; 215/387, DIG. 7;  
D11/152, 153; 220/592.16, 592.17, 703,  
220/710.5

See application file for complete search history.

(56) **References Cited**

**U.S. PATENT DOCUMENTS**

D72,281 S \* 3/1927 Schmidt ..... D7/536  
D101,620 S \* 10/1936 Cowan ..... D7/536  
D102,350 S \* 12/1936 Bayreuther ..... D7/536

D184,566 S \* 3/1959 Holworth ..... D7/622  
D202,644 S \* 10/1965 Lowrie ..... D7/536  
D227,135 S \* 6/1973 Davis et al. .... D7/536  
D286,723 S \* 11/1986 Everhan ..... D7/536  
D363,897 S \* 11/1995 Carlson ..... D11/152  
6,203,638 B1 \* 3/2001 Uram ..... 156/89.11

\* cited by examiner

*Primary Examiner*—Philip S. Hyder  
*Assistant Examiner*—Cynthia Underwood  
(74) *Attorney, Agent, or Firm*—Friedrich Kueffner

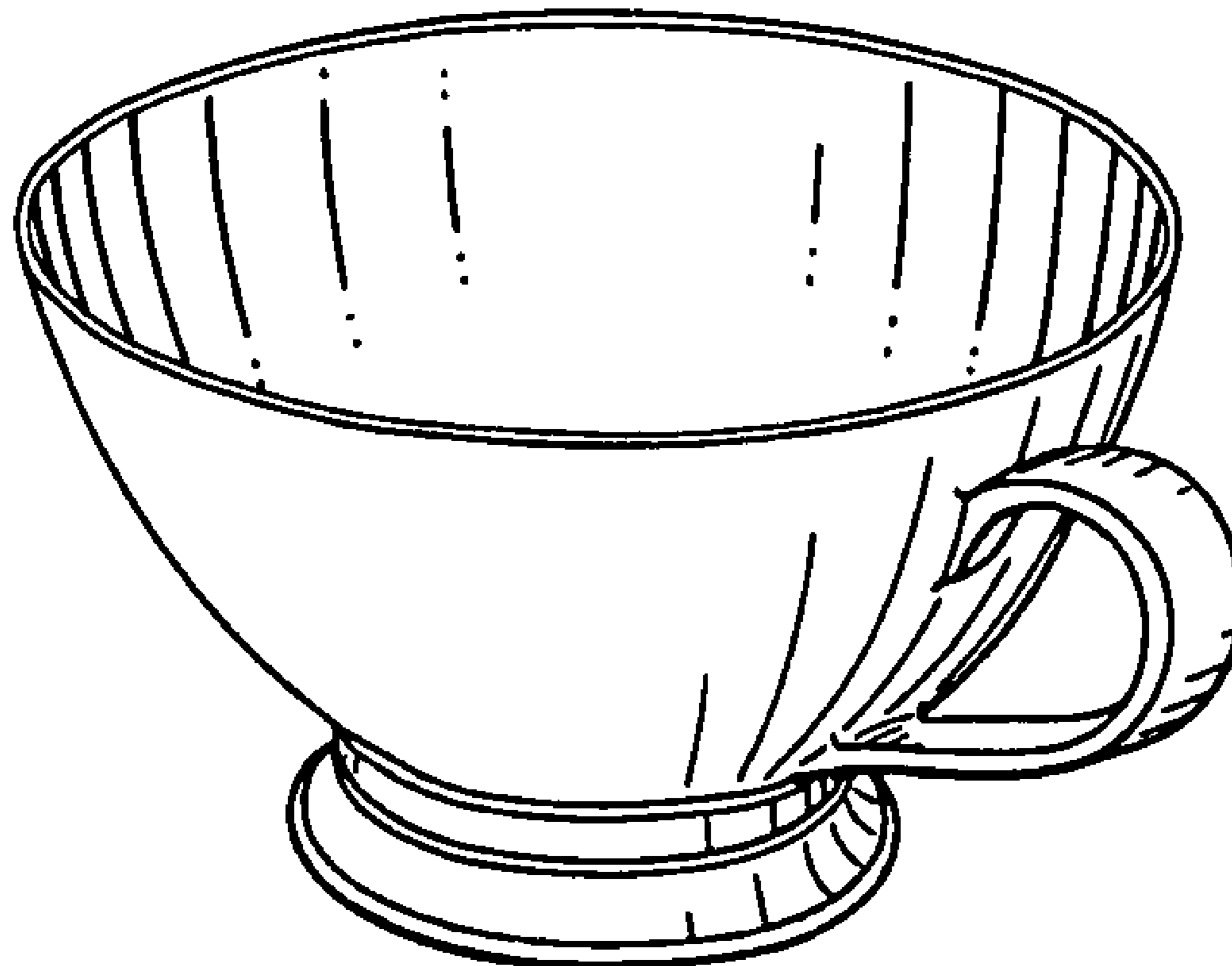
(57) **CLAIM**

The ornamental design for a tea-cup, as shown and described.

**DESCRIPTION**

FIG. 1 is a front view of a tea-cup showing my new design;  
FIG. 2 is a back view thereof;  
FIG. 3 is a side view thereof;  
FIG. 4 is a another side view thereof;  
FIG. 5 is a perspective view thereof;  
FIG. 6 is a top view thereof; and,  
FIG. 7 is a bottom view thereof.

**1 Claim, 2 Drawing Sheets**



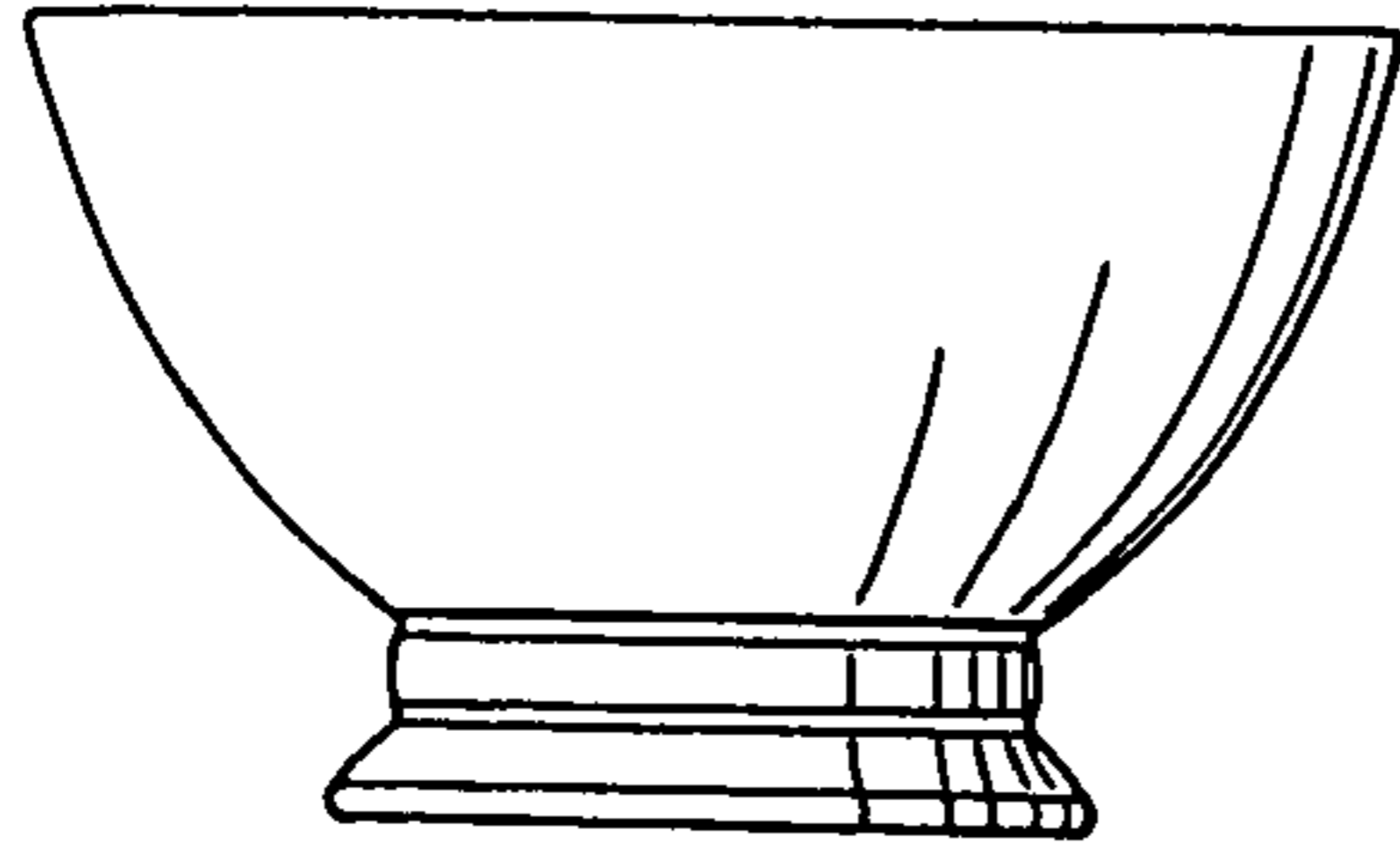


FIG. 1

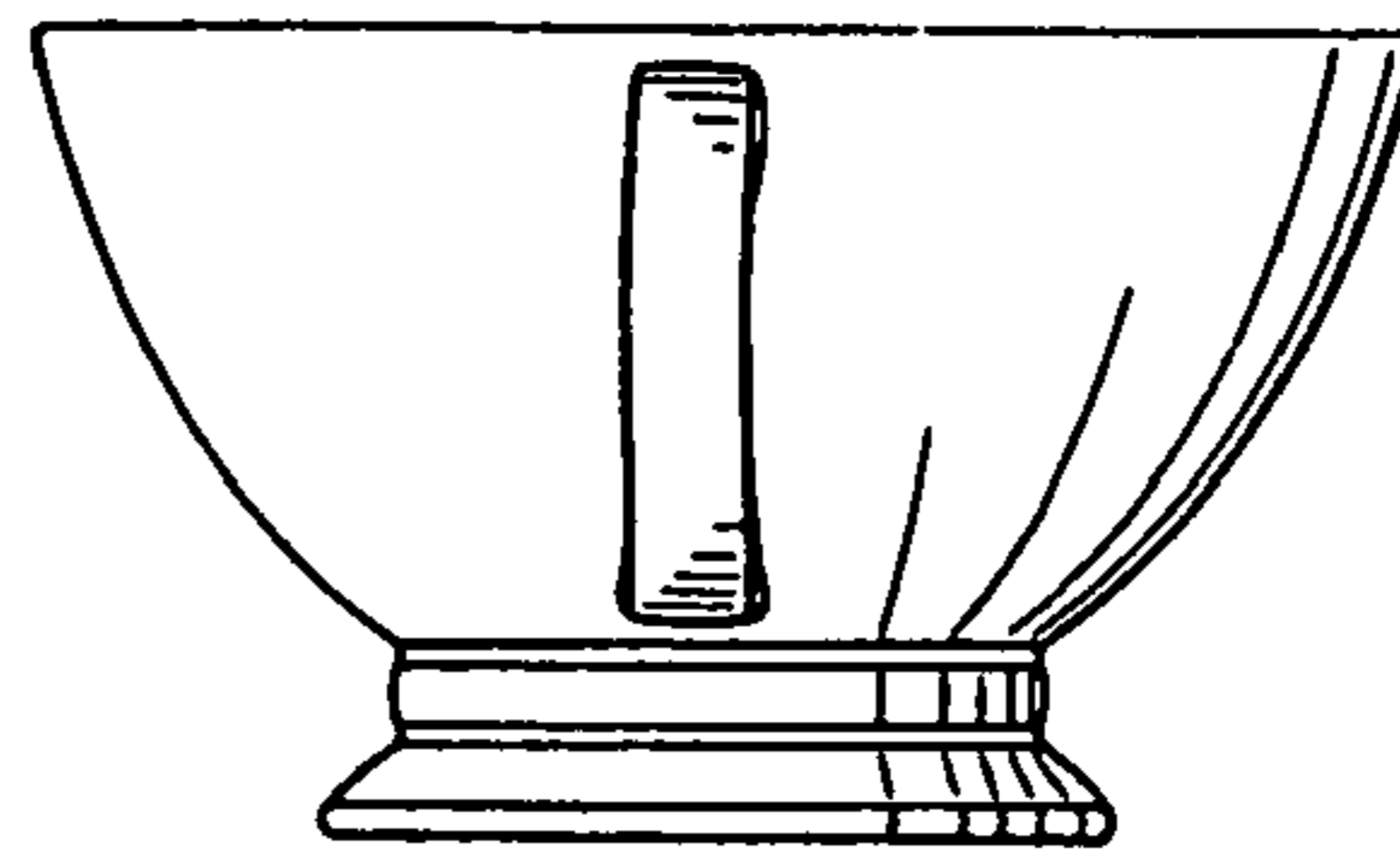


FIG. 2

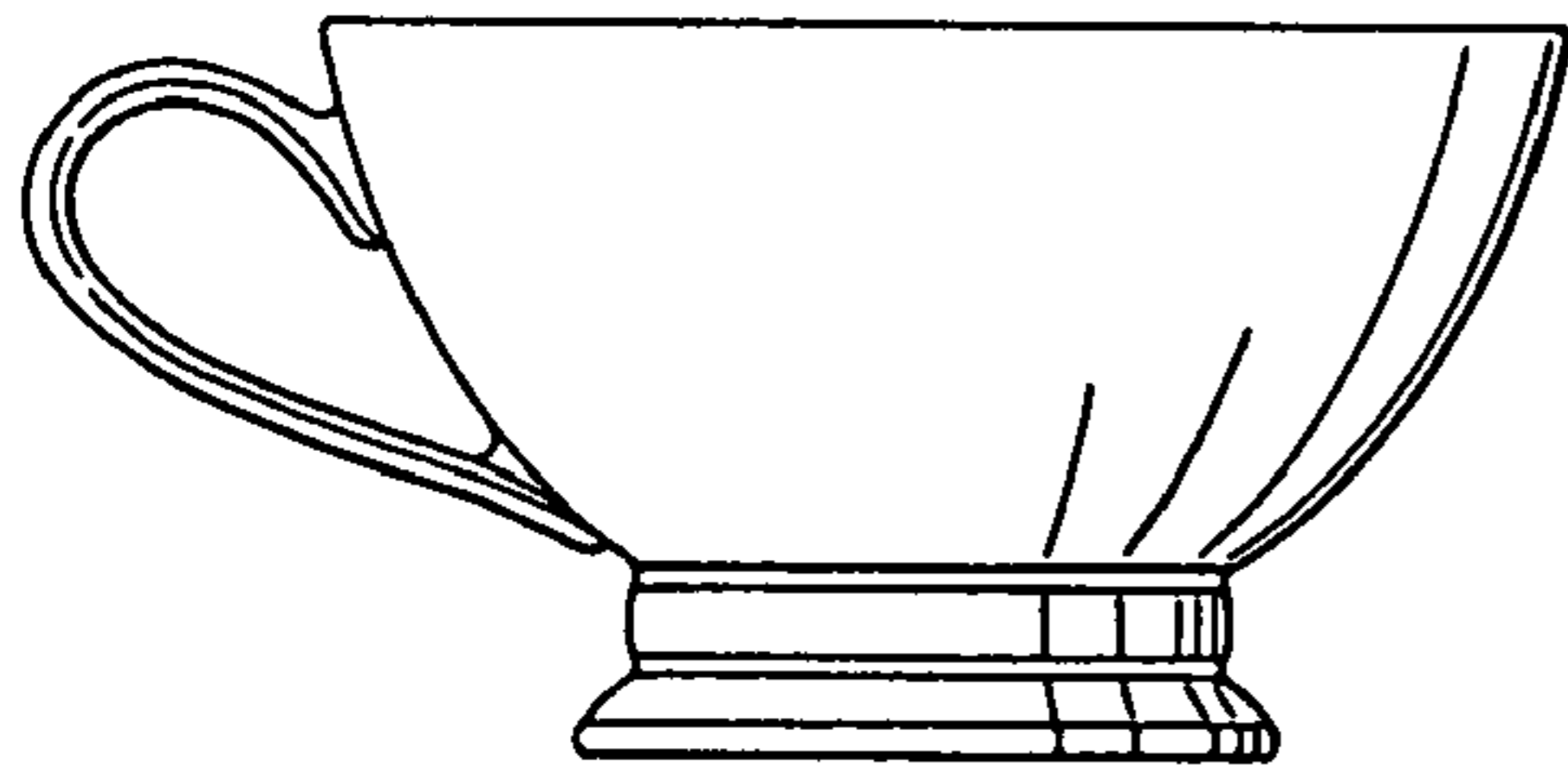


FIG. 3

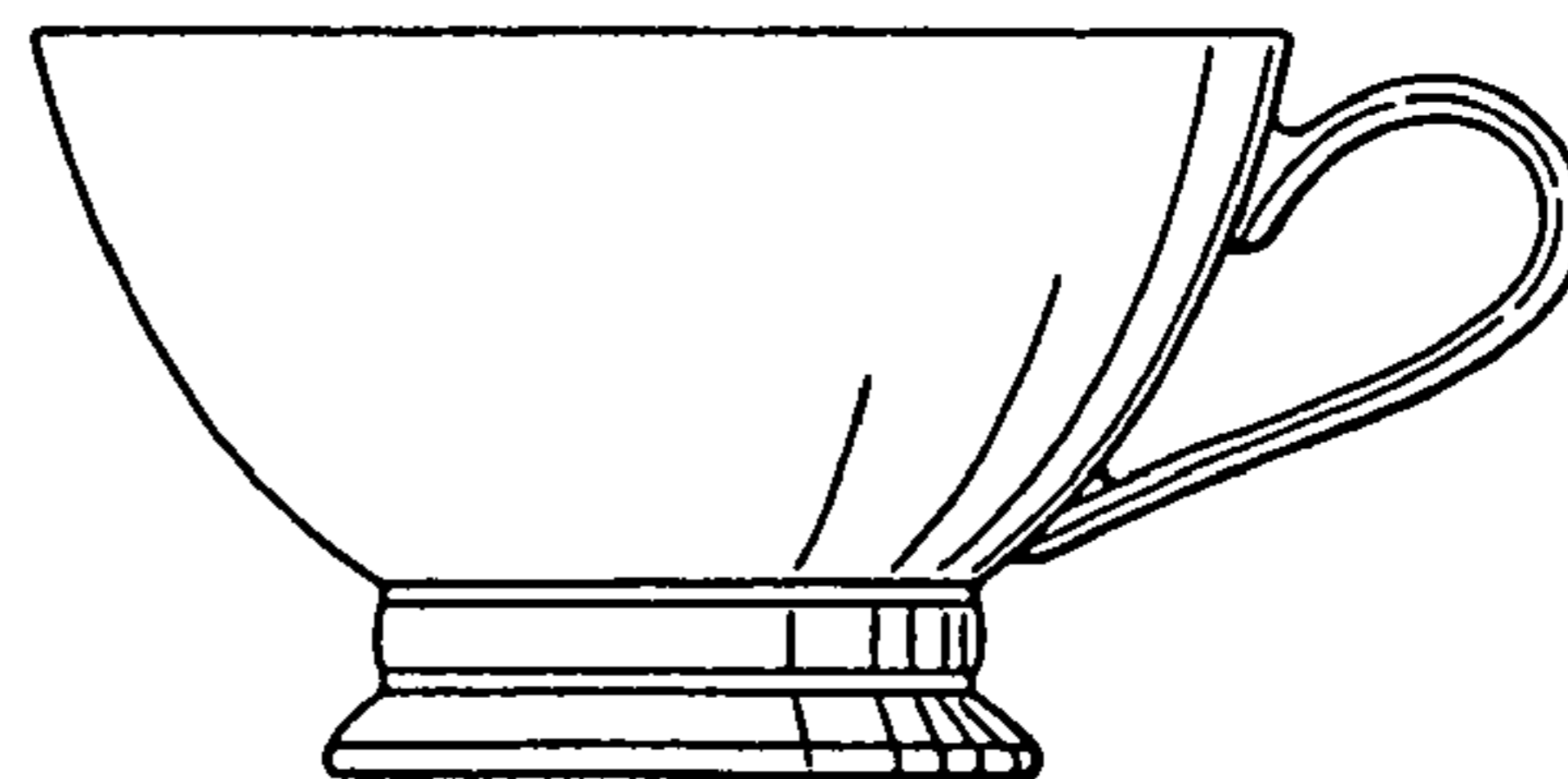


FIG. 4

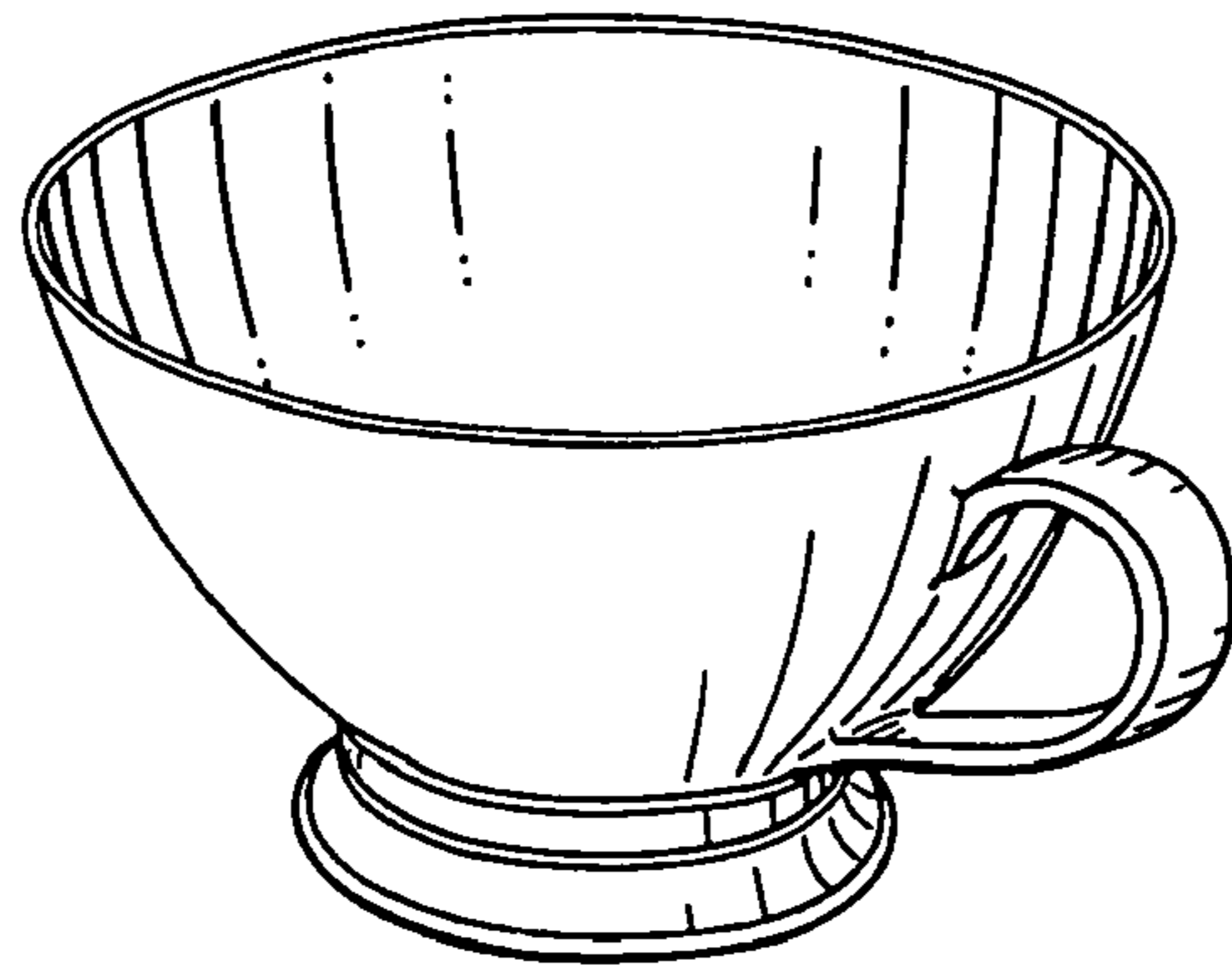


FIG.5

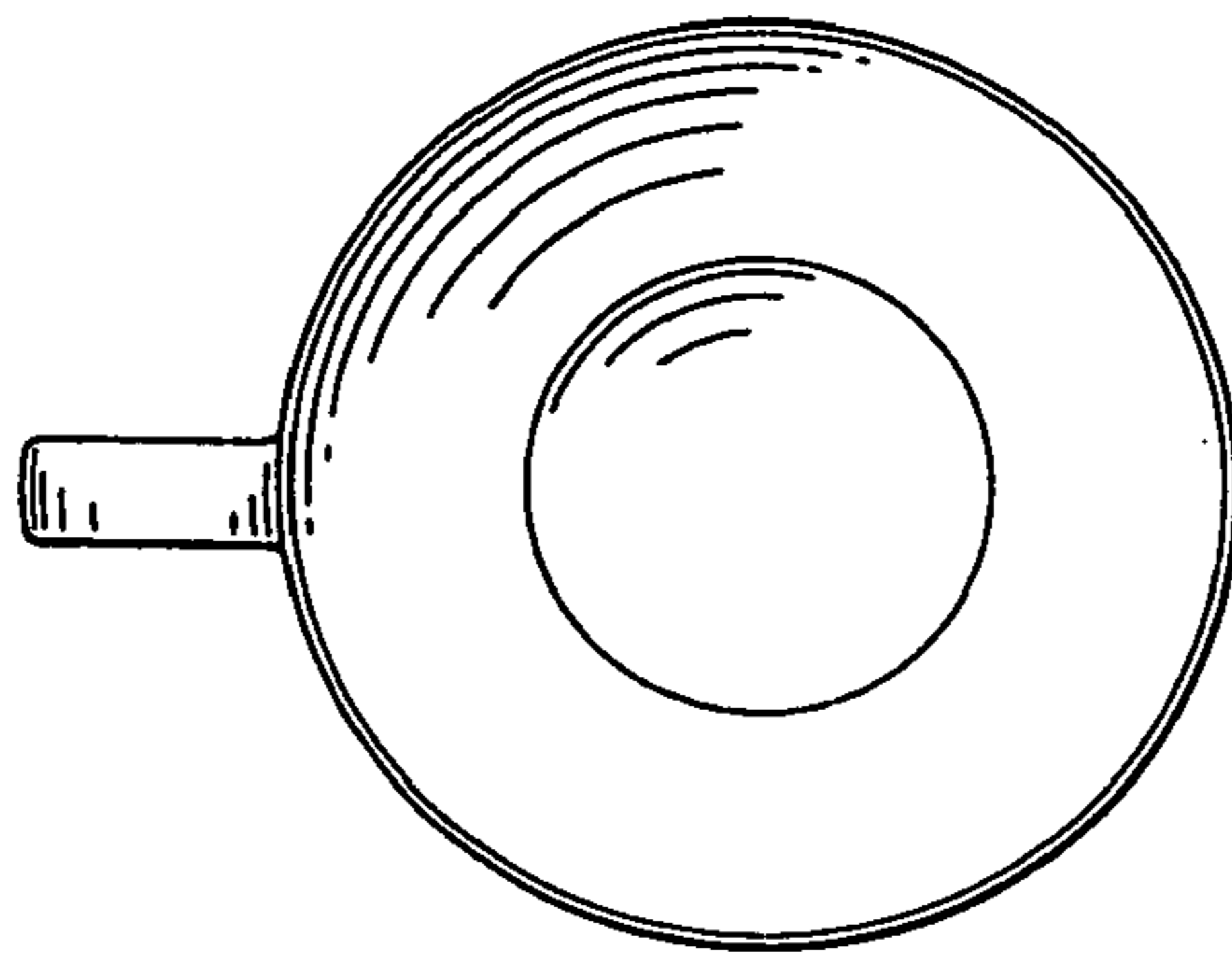


FIG.6

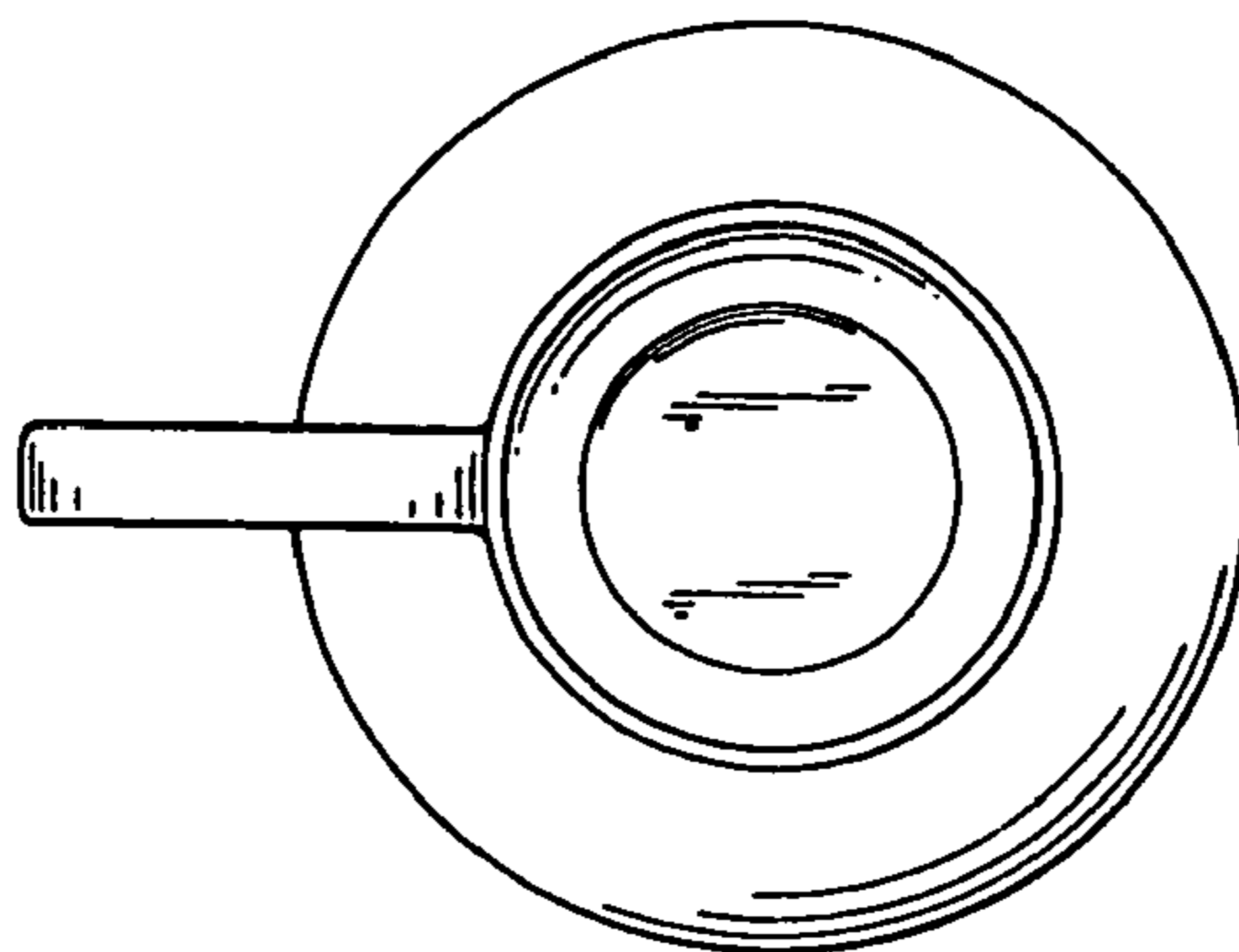


FIG.7