



US00D562635S

(12) **United States Design Patent**
Weber

(10) **Patent No.:** **US D562,635 S**

(45) **Date of Patent:** **** Feb. 26, 2008**

(54) **CUP**
(75) Inventor: **Charlotte Weber**, Trier (DE)
(73) Assignee: **Villeroy & Boch AG**, Mettlach (DE)
(**) Term: **14 Years**

D102,350 S * 12/1936 Bayreuther D7/536
D184,566 S * 3/1959 Holworth D7/622
D202,644 S * 10/1965 Lowrie D7/536
D227,135 S * 6/1973 Davis et al. D7/536
D286,723 S * 11/1986 Everhan D7/536
D363,897 S * 11/1995 Carlson D11/152
6,203,638 B1 * 3/2001 Uram 156/89.11

(21) Appl. No.: **29/288,488**

(22) Filed: **Jun. 12, 2007**

(30) **Foreign Application Priority Data**

Dec. 13, 2006 (EM) 000637350

(51) **LOC (8) Cl.** **07-01**

(52) **U.S. Cl.** **D7/536; D7/533; D7/509**

(58) **Field of Classification Search** D7/500,
D7/509, 523, 532, 533, 536, 544, 300, 584;
D9/530, 537, 538, 549, 556; 215/387, DIG. 7;
D11/152, 153; 220/592.16, 592.17, 703,
220/710.5

See application file for complete search history.

(56) **References Cited**

U.S. PATENT DOCUMENTS

D72,281 S * 3/1927 Schmidt D7/536
D101,620 S * 10/1936 Cowan D7/536

* cited by examiner

Primary Examiner—Philip S. Hyder

Assistant Examiner—Cynthia Underwood

(74) *Attorney, Agent, or Firm*—Friedrich Kueffner

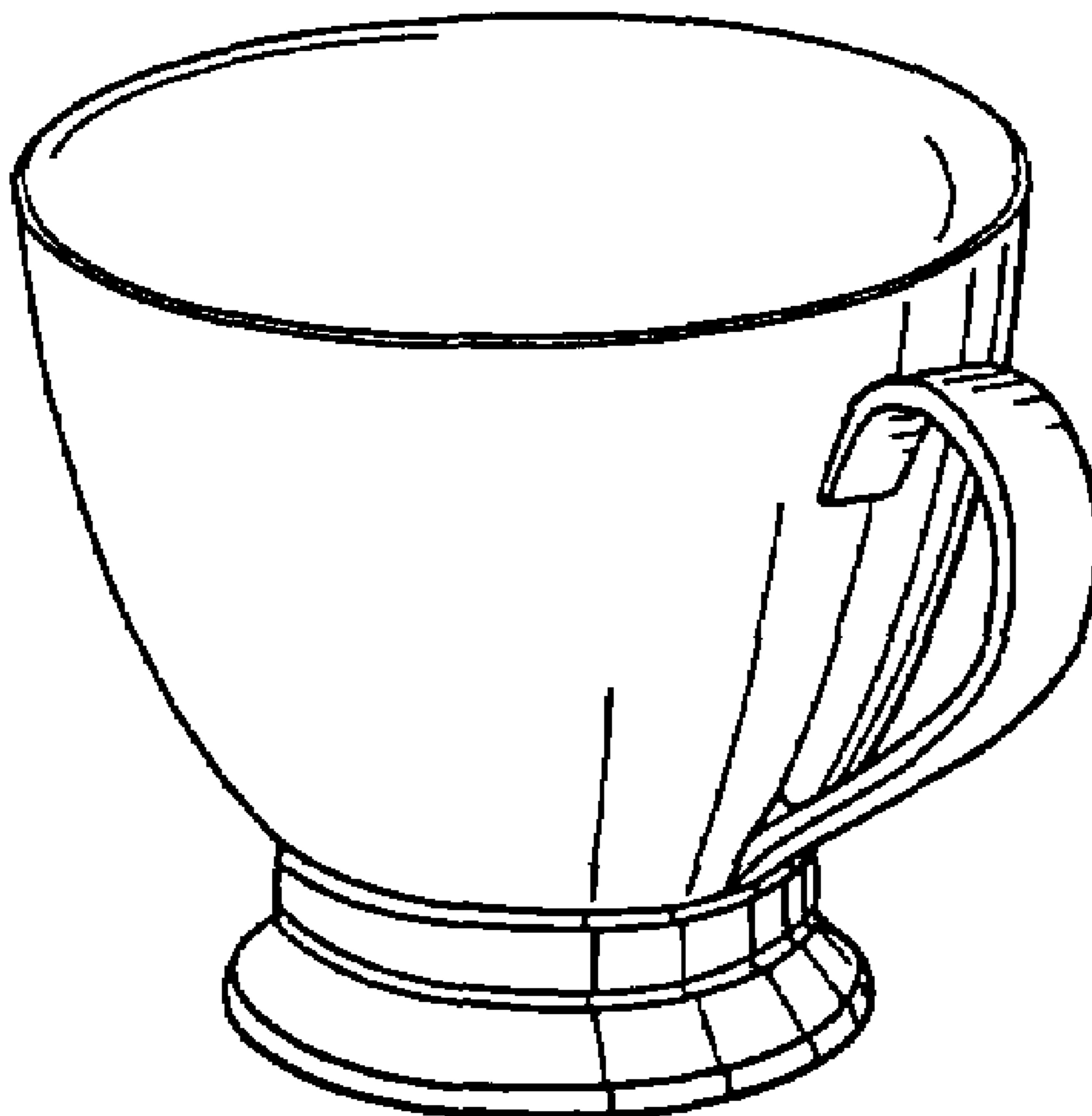
(57) **CLAIM**

The ornamental design for a cup, as shown and described.

DESCRIPTION

FIG. 1 is a front view of a cup showing my new design;
FIG. 2 is a back view thereof;
FIG. 3 is a side view thereof;
FIG. 4 is a another side view thereof;
FIG. 5 is a perspective view thereof;
FIG. 6 is a top view thereof; and,
FIG. 7 is a bottom view thereof.

1 Claim, 2 Drawing Sheets



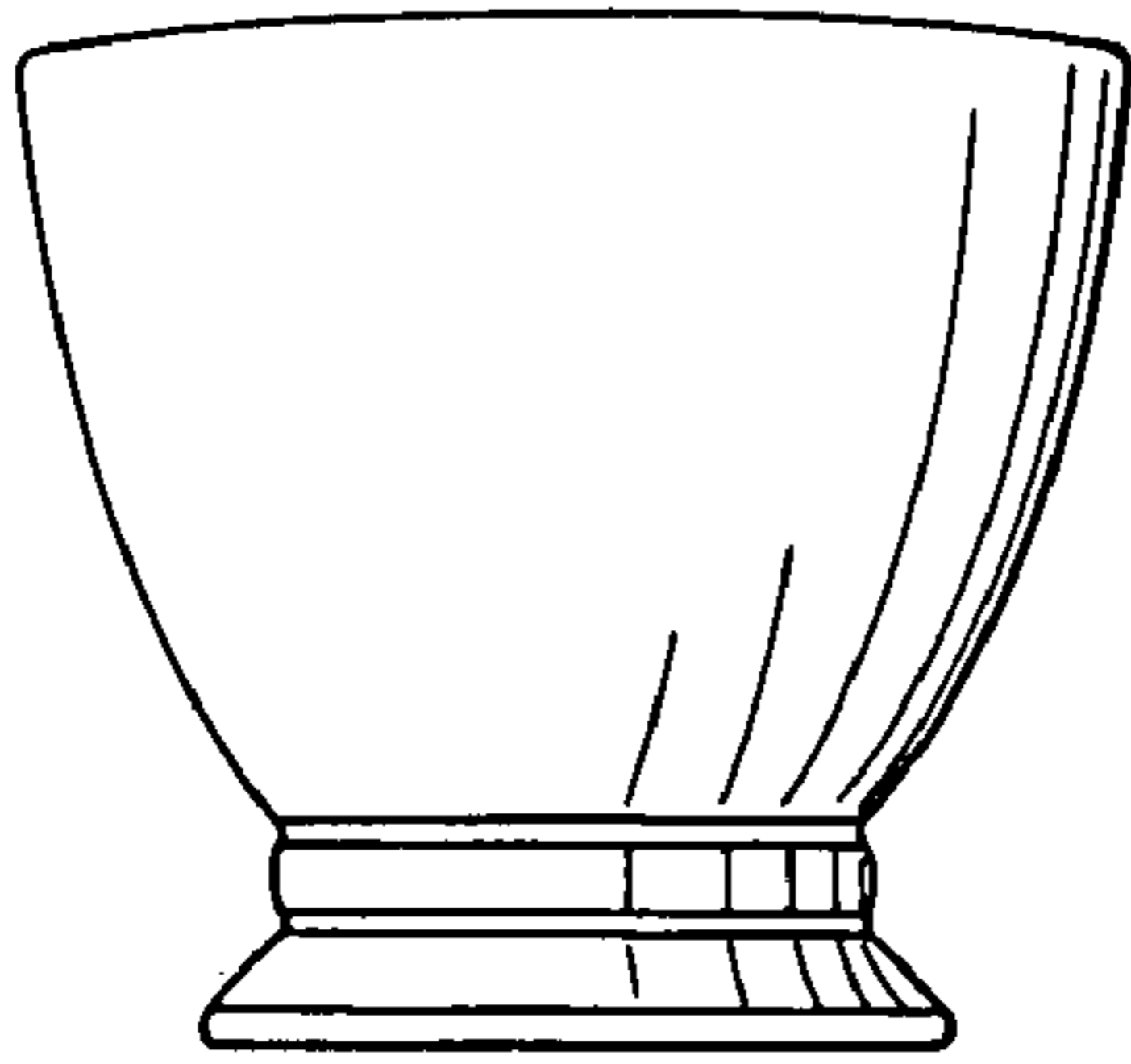


FIG. 1

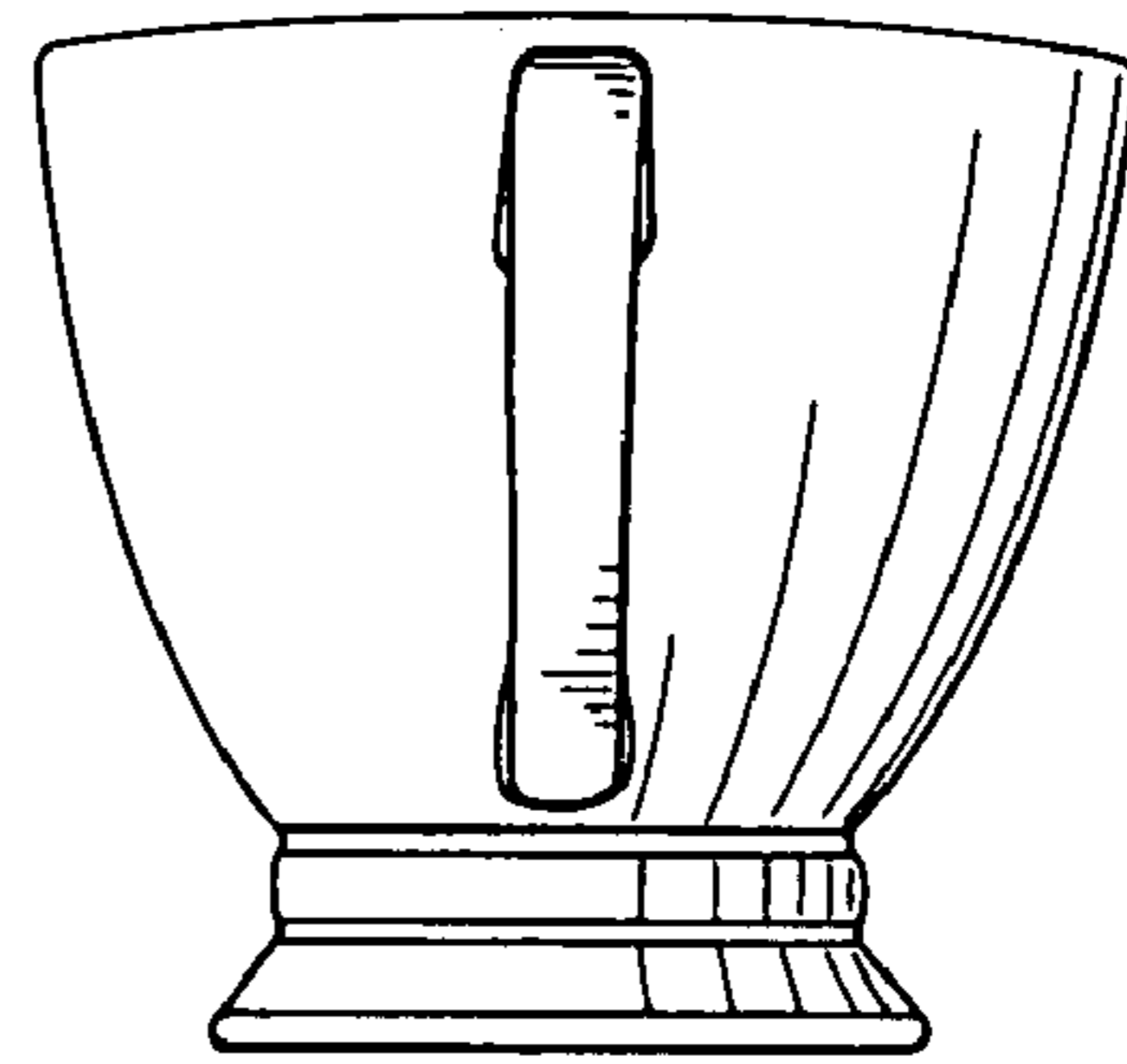


FIG. 2

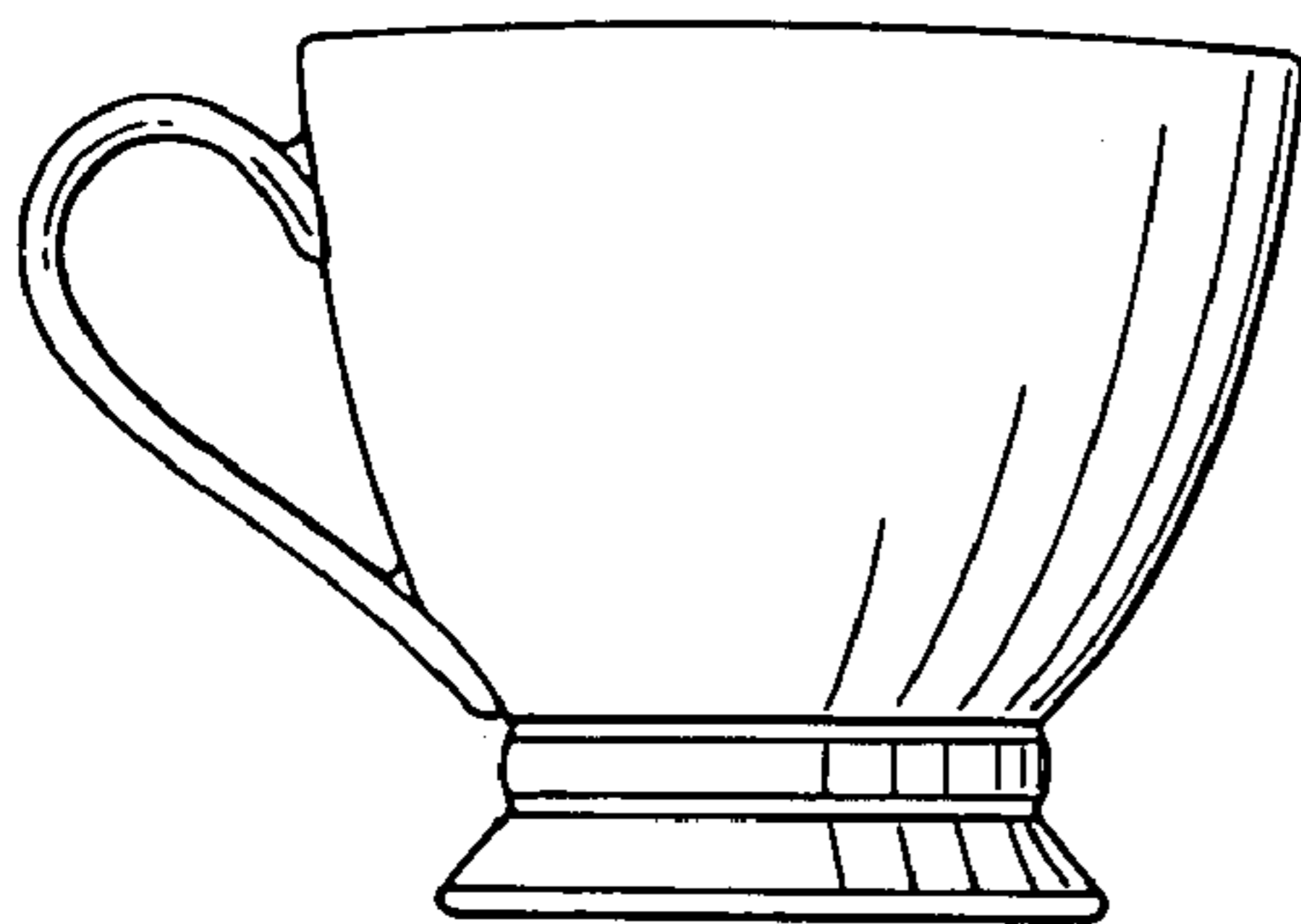


FIG. 3

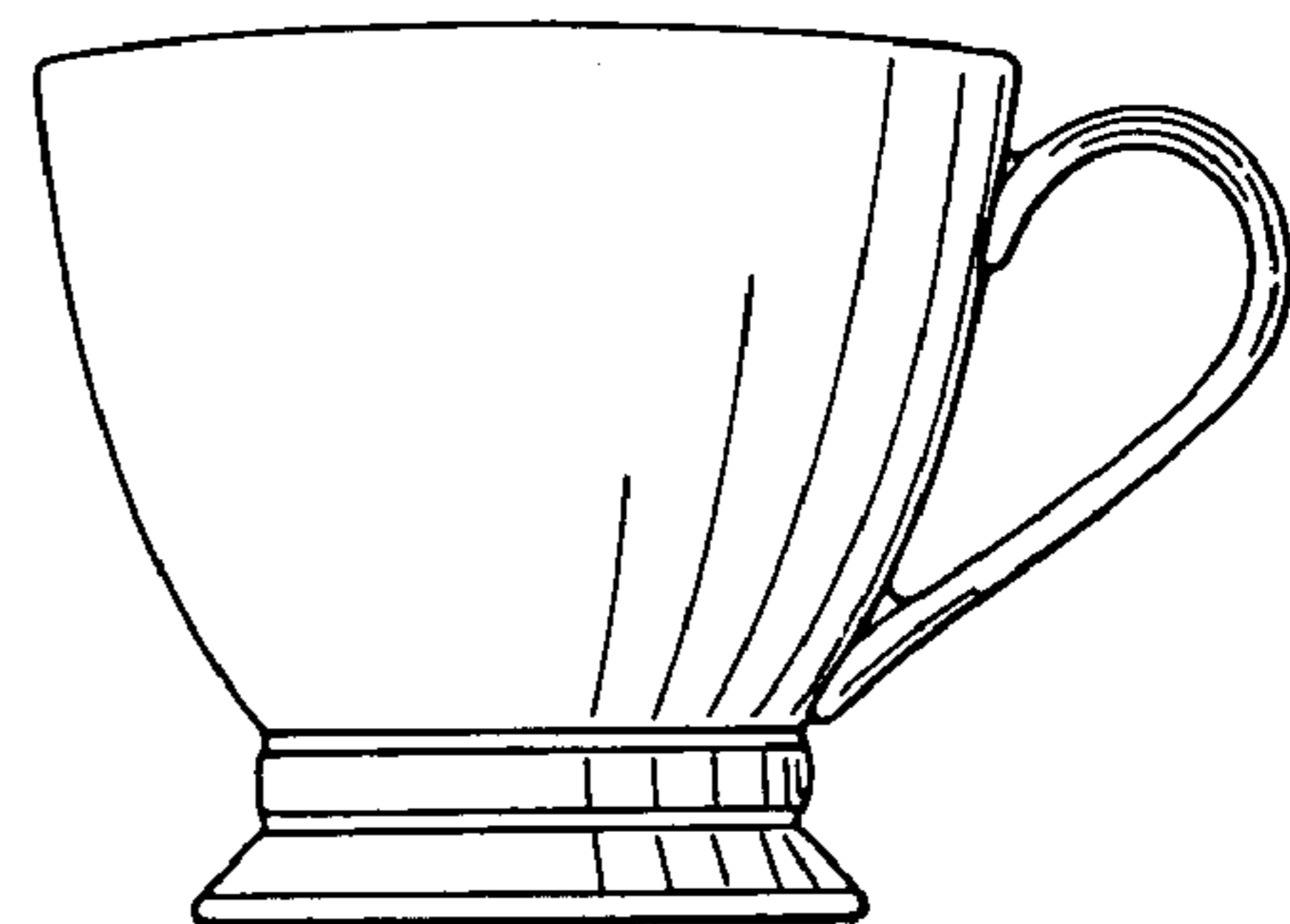


FIG. 4

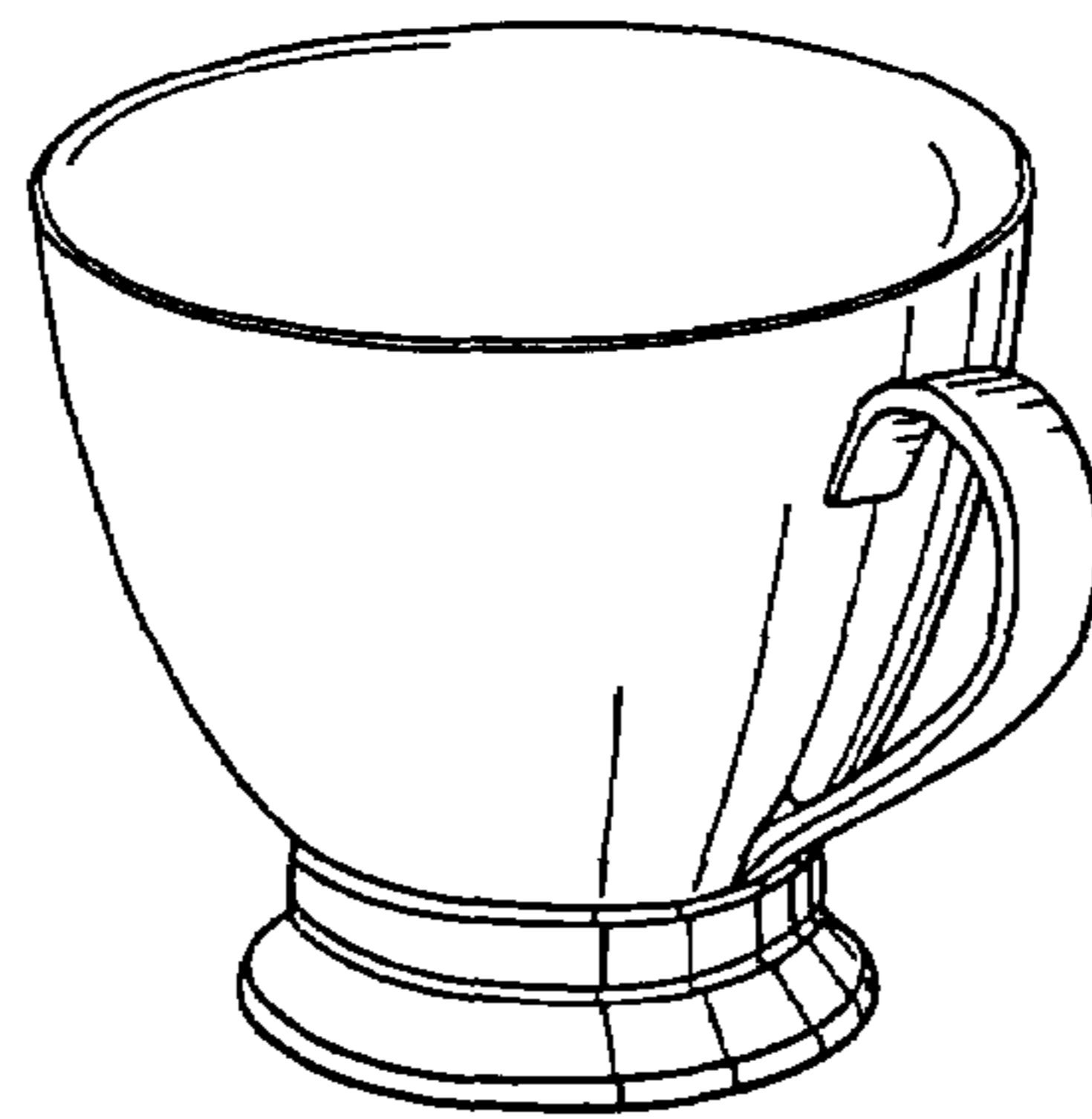


FIG.5

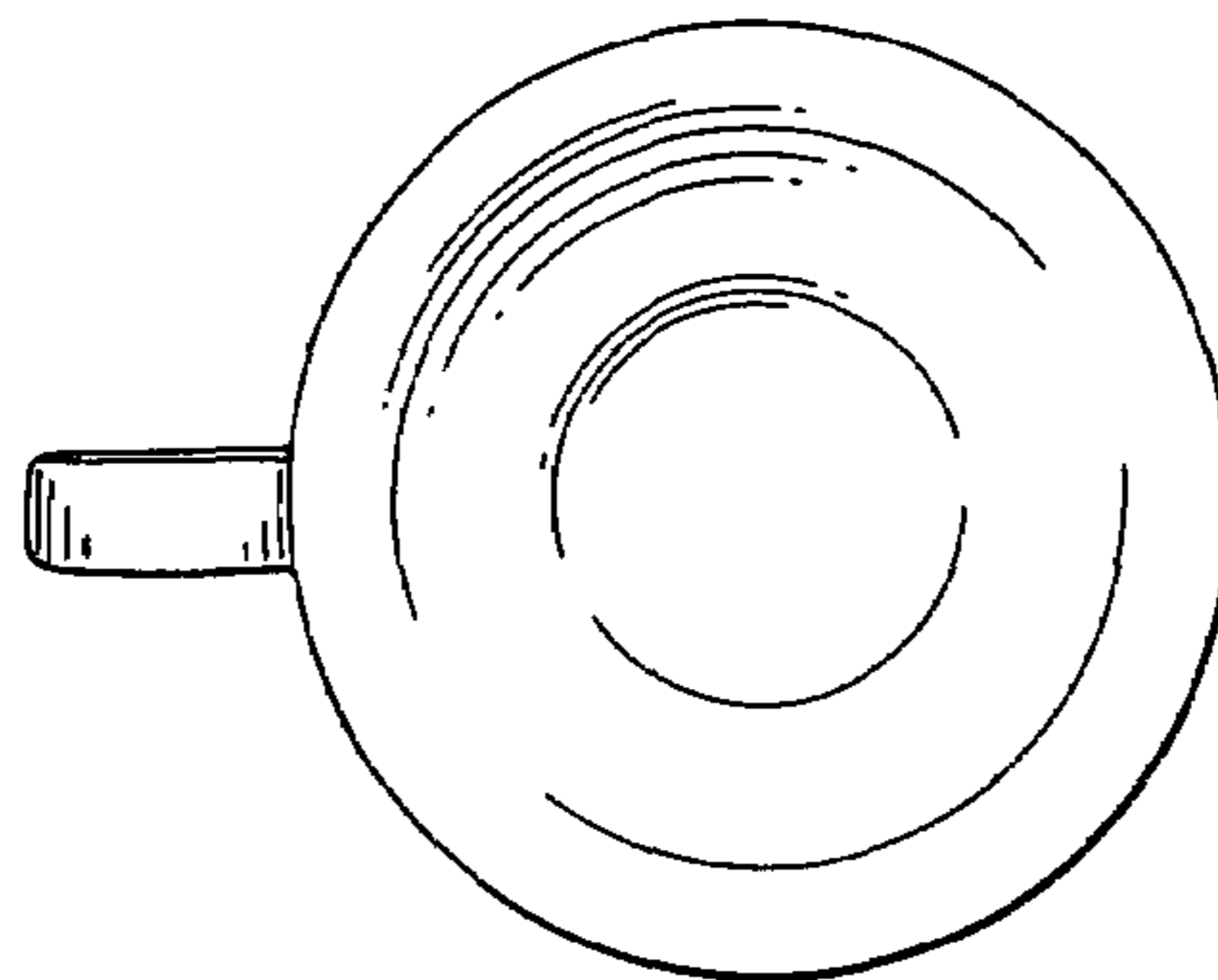


FIG.6

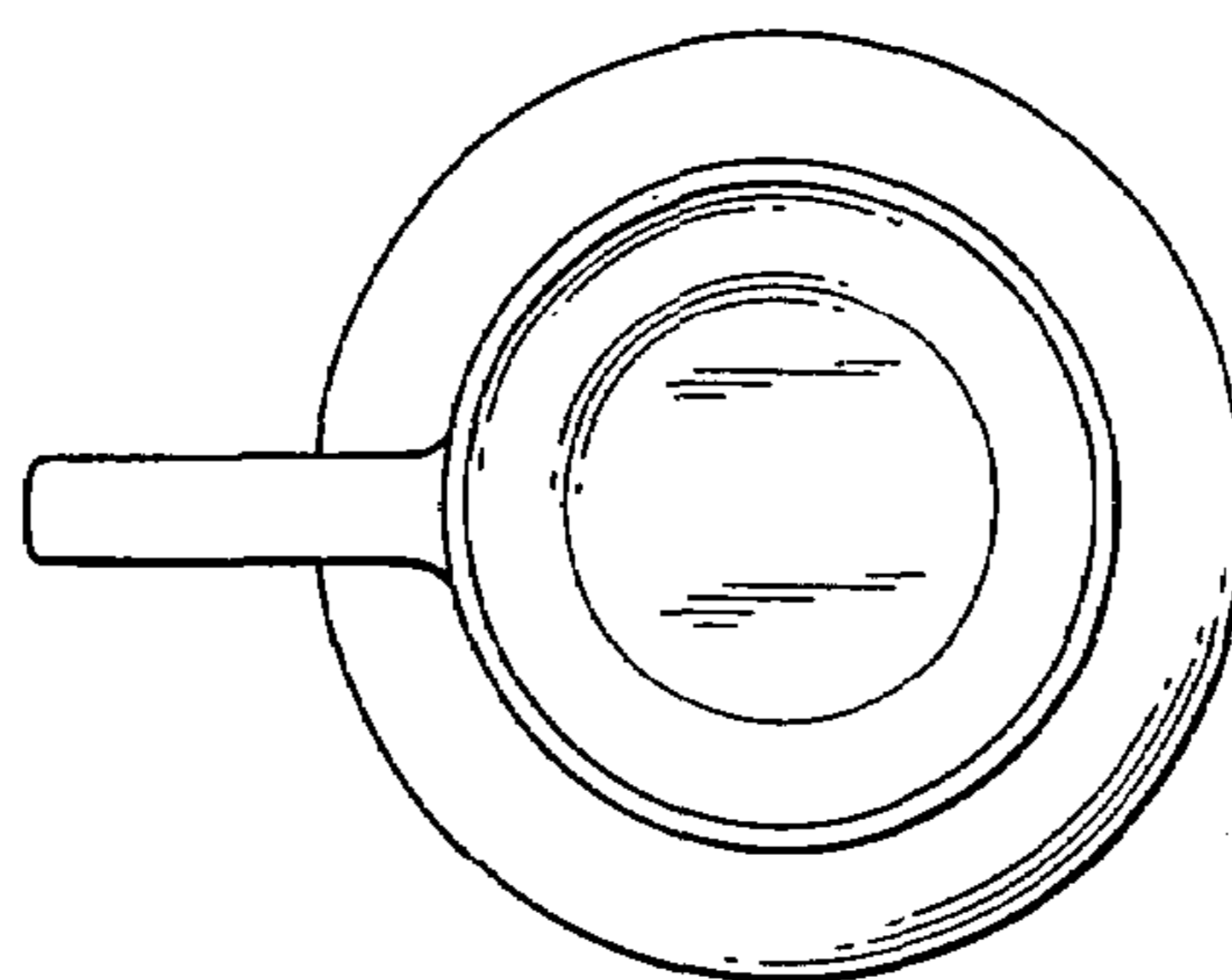


FIG.7