

US00D562628S

(12) **United States Design Patent**
Henley et al.

(10) **Patent No.:** **US D562,628 S**
(45) **Date of Patent:** **** Feb. 26, 2008**

(54) **PORTABLE GRILL ASSEMBLY**
(75) Inventors: **Michael E. Henley**, Liberty Township, OH (US); **Michael Steven Joss**, Chicago, IL (US); **Charles Moses**, Columbus, GA (US)

(73) Assignee: **Char-Broil LLC**, Columbus, GA (US)

(**) Term: **14 Years**

(21) Appl. No.: **29/262,708**

(22) Filed: **Jul. 10, 2006**

(51) **LOC (8) Cl.** **07-02**

(52) **U.S. Cl.** **D7/402**

(58) **Field of Classification Search** D7/332, D7/334-347, 402-404; 446/153; 126/25 R, 126/25 A, 25 AA, 37 R, 38, 41 R, 40, 50, 126/39 B, 268, 276, 9 R; 99/449, 481, 482
See application file for complete search history.

(56) **References Cited**

U.S. PATENT DOCUMENTS

- 5,623,866 A * 4/1997 Home 99/444
- D456,202 S * 4/2002 McNair et al. D7/332
- D460,312 S * 7/2002 Fry et al. D7/334
- D472,757 S * 4/2003 Schulte et al. D7/334

- 6,951,213 B2 * 10/2005 Coleman et al. 126/38
- D520,298 S * 5/2006 Huegerich et al. D7/402
- D525,829 S * 8/2006 Chung D7/402
- D526,842 S * 8/2006 Chung D7/402
- 2003/0029436 A1 * 2/2003 Carden et al. 126/41 R

* cited by examiner

Primary Examiner—Ruth McInroy

(74) *Attorney, Agent, or Firm*—James W. Kayden; Thomas, Kayden, Horstemeyer & Risley LLP

(57) **CLAIM**

We claim the ornamental design for a portable grill assembly, as shown and described.

DESCRIPTION

FIG. 1 is a perspective view of a portable grill assembly showing our new design;

FIG. 2 is a front elevational view thereof;

FIG. 3 is a rear elevational view thereof;

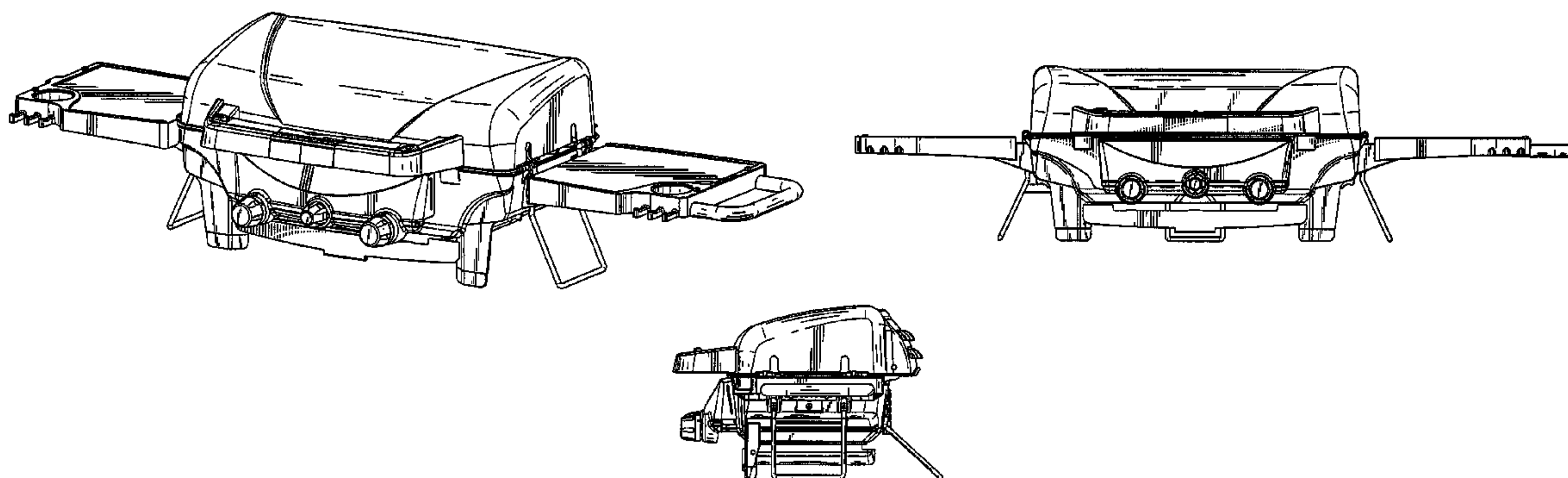
FIG. 4 is a left side elevational view thereof;

FIG. 5 is a right side elevational view thereof;

FIG. 6 is a top plan view thereof; and,

FIG. 7 is a bottom plan view thereof.

1 Claim, 5 Drawing Sheets



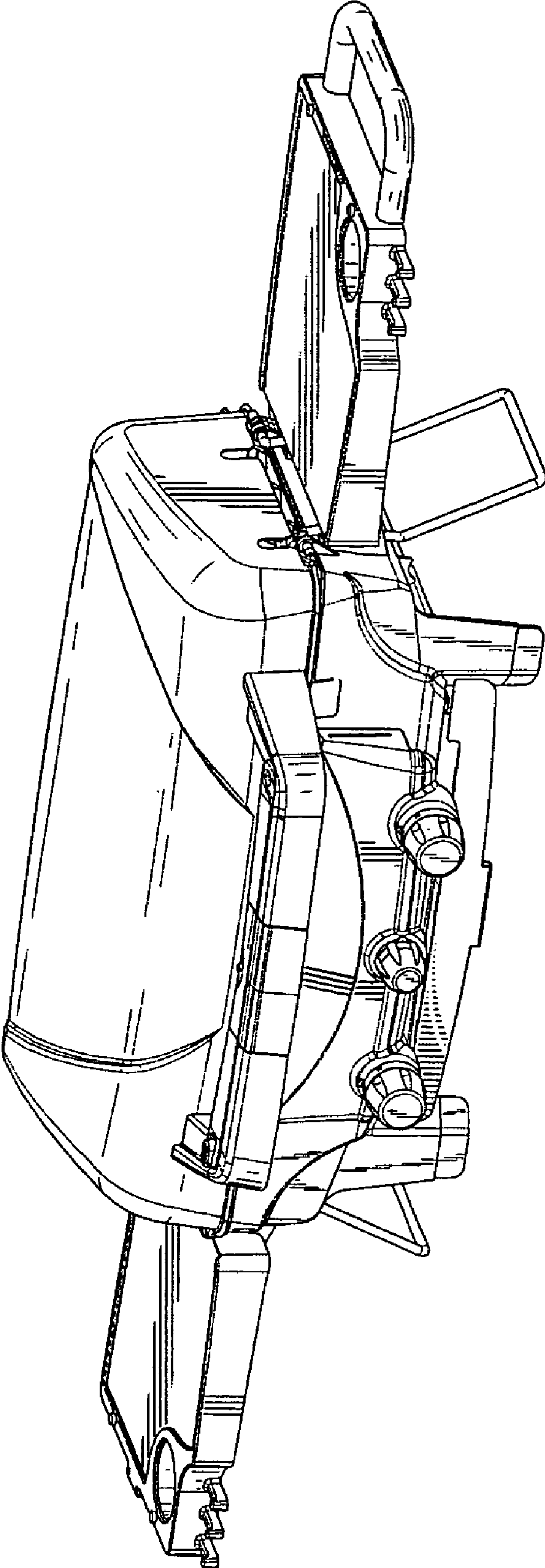


Fig. 1

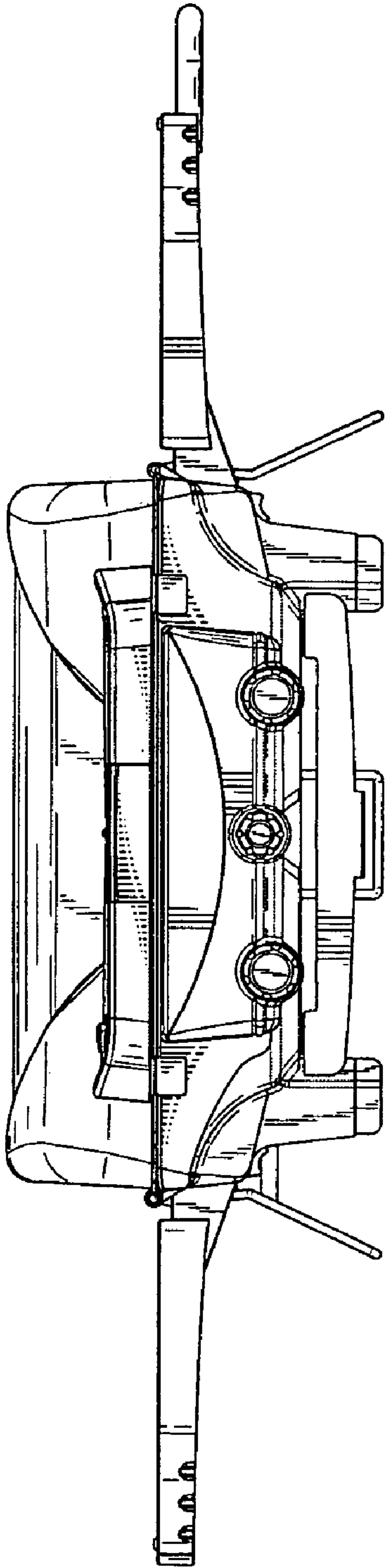


Fig. 2

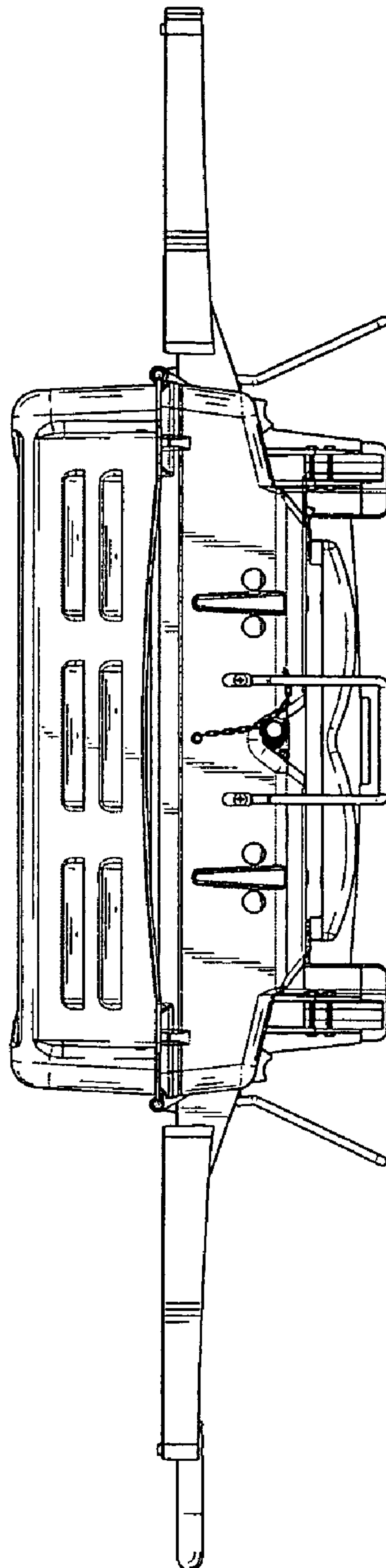


Fig. 5

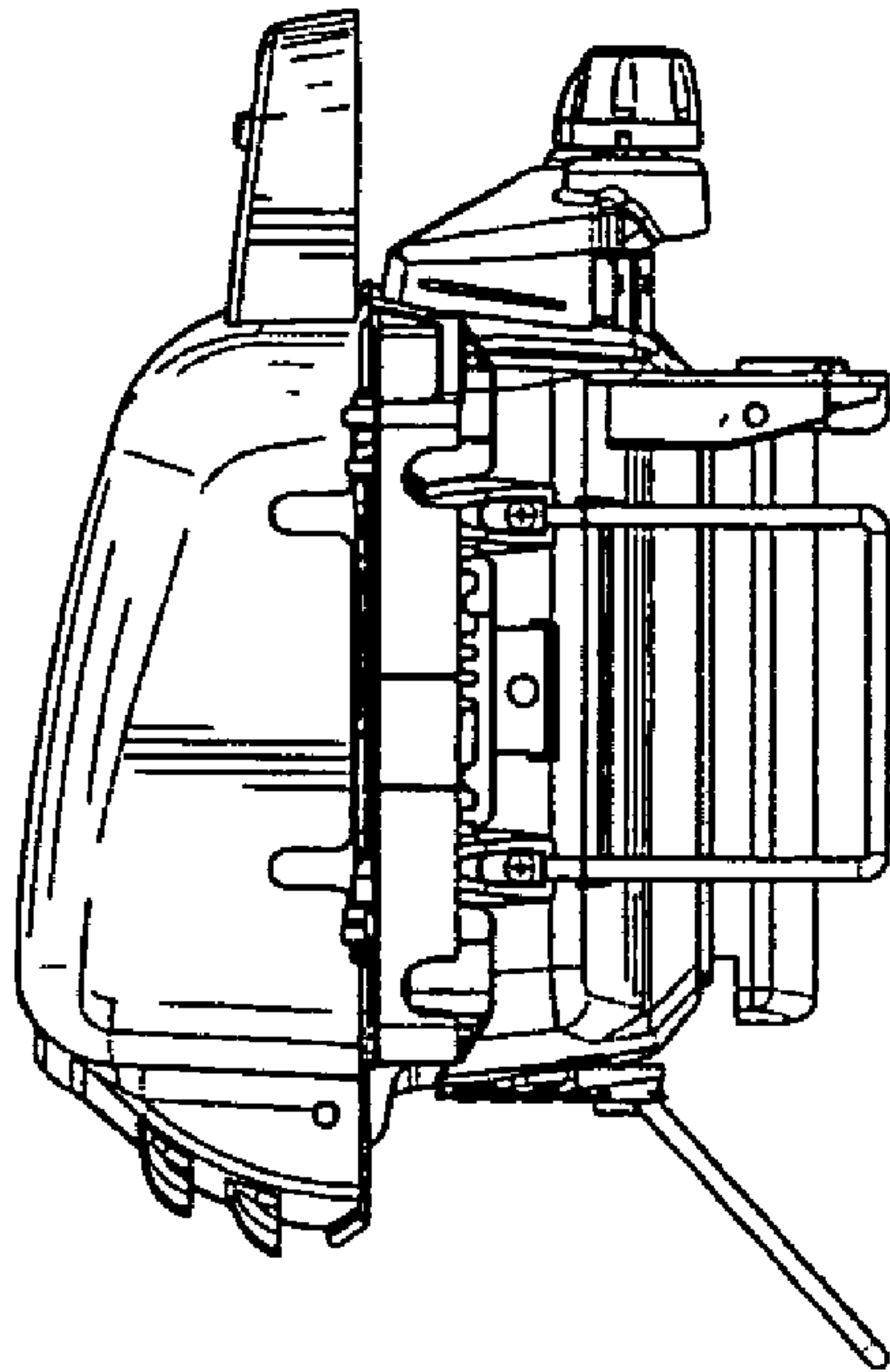


Fig. 5

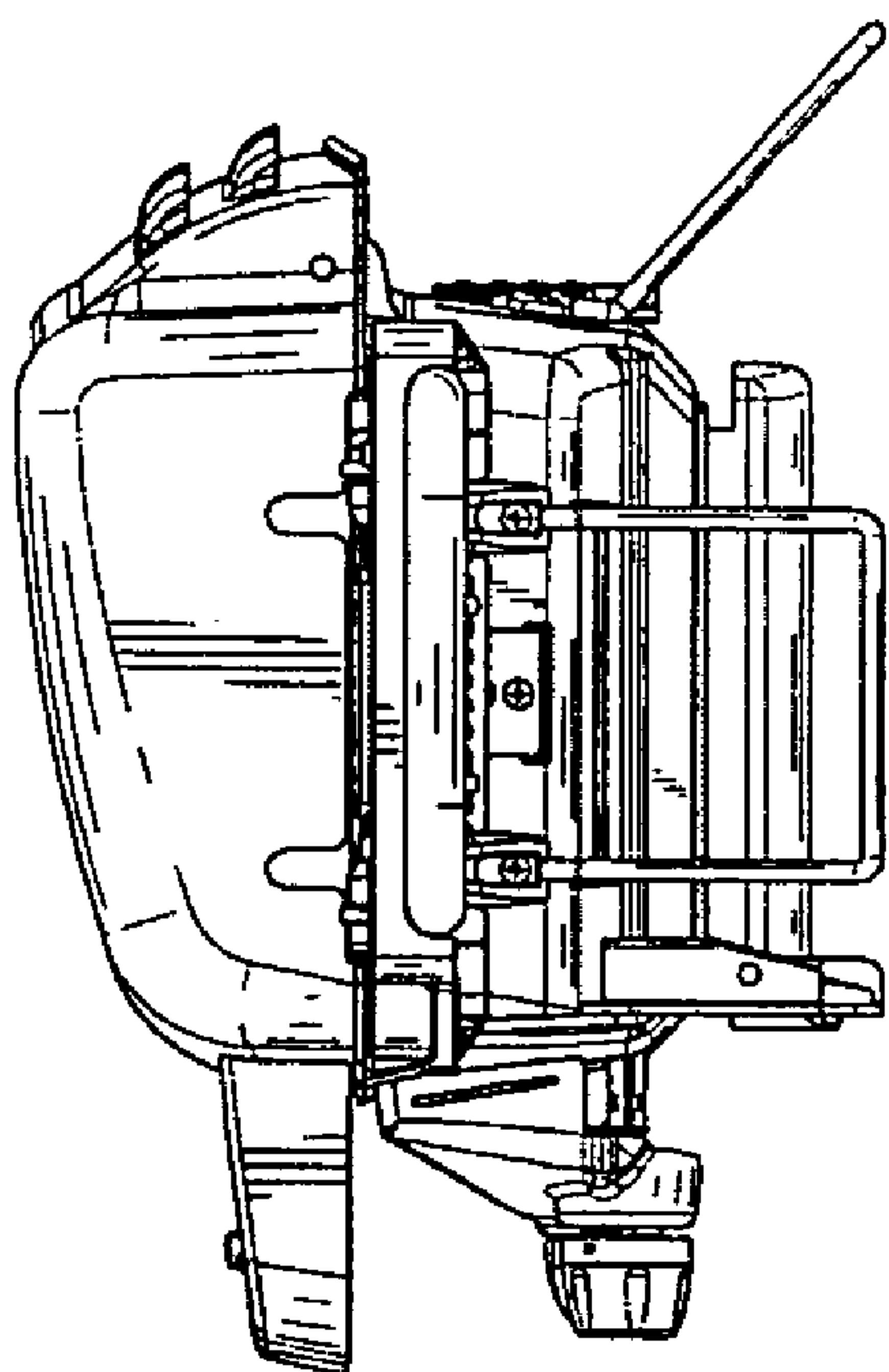


Fig. 4

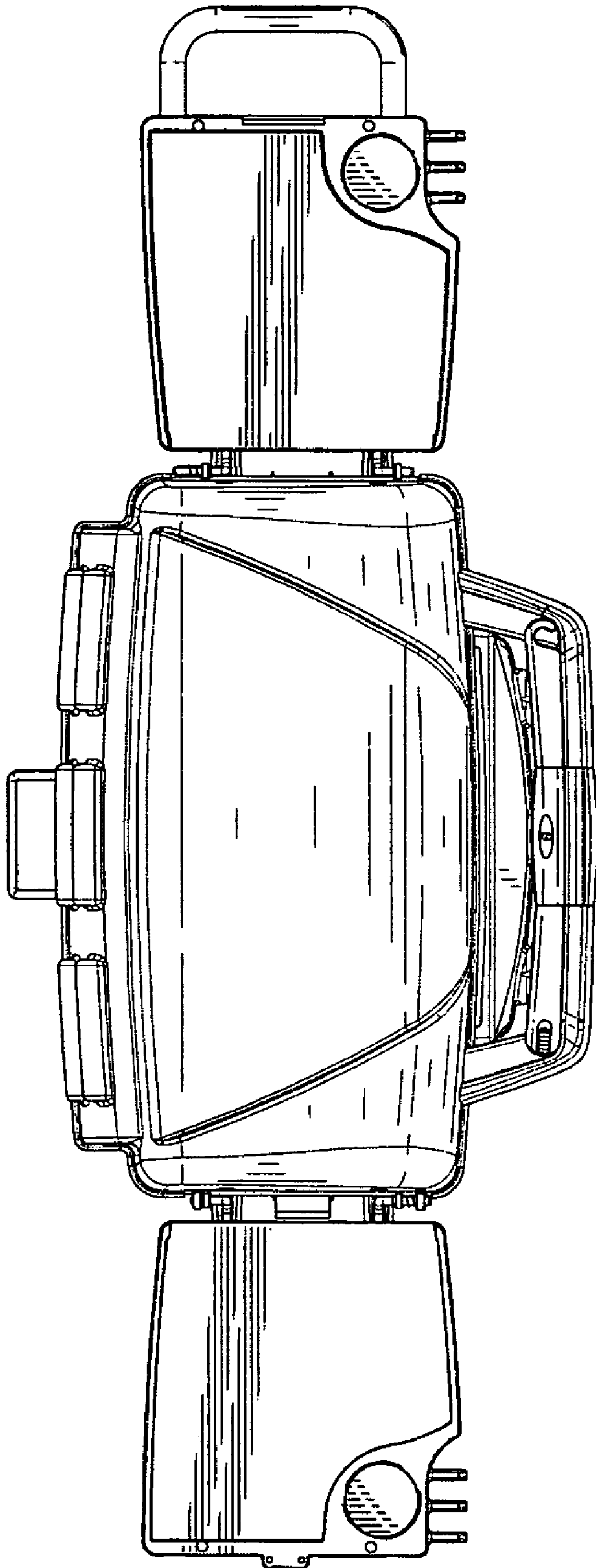


Fig. 6

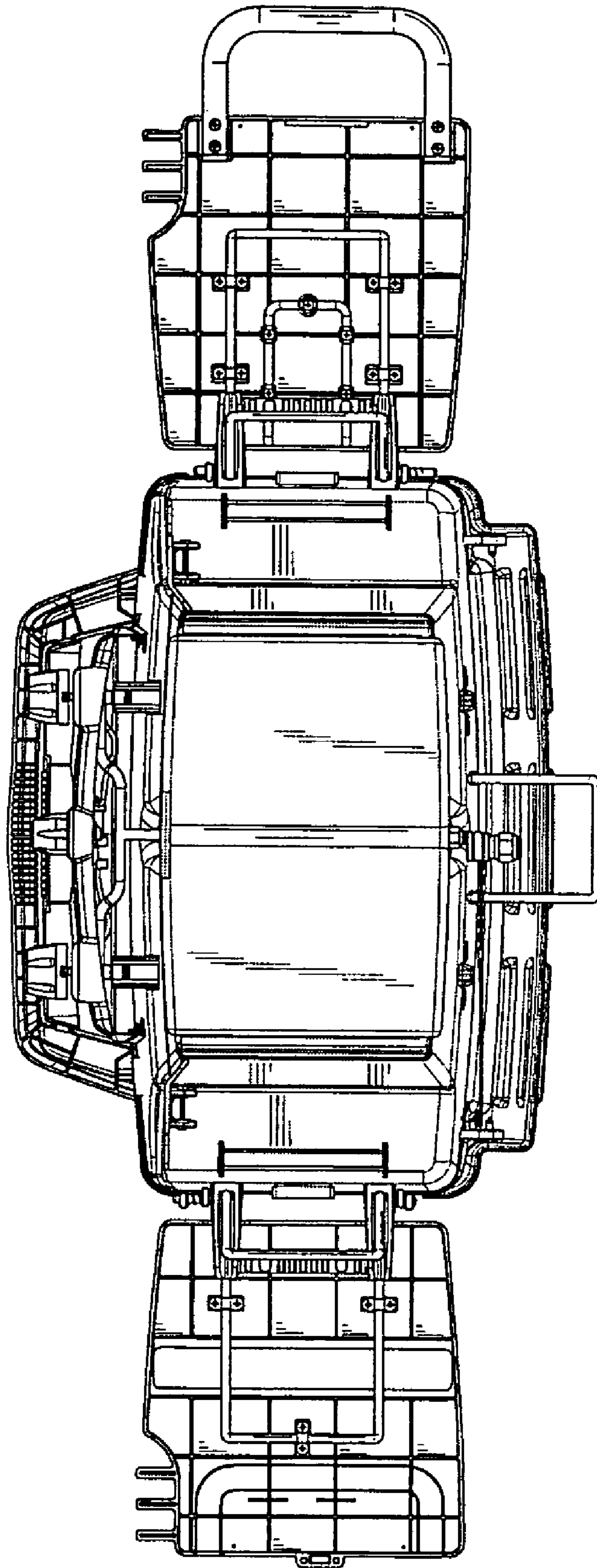


Fig. 1