

US00D562627S

(12) **United States Design Patent**
McDonald

(10) **Patent No.:** **US D562,627 S**

(45) **Date of Patent:** **** Feb. 26, 2008**

(54) **DISPENSING SPOUT**

(76) Inventor: **Michael McDonald**, 3 Nita St., East
Northport, NY (US) 11731

(**) Term: **14 Years**

(21) Appl. No.: **29/272,068**

(22) Filed: **Feb. 1, 2007**

(51) **LOC (8) Cl.** **07-01**

(52) **U.S. Cl.** **D7/398; D7/397; D7/387**

(58) **Field of Classification Search** **D7/300.2,**
D7/301-2, 313, 395, 396.2, 397, 387, 392,
D7/632, 901, 300, 392.1, 515, 628, 510, 511;
D9/451, 632; D23/249, 255, 270, 567, 571;
222/566

See application file for complete search history.

(56) **References Cited**

U.S. PATENT DOCUMENTS

D289,610 S *	5/1987	Neyer	D9/632
D327,817 S *	7/1992	Paullin	D7/515
D349,630 S *	8/1994	Redmon	D7/606
D370,836 S *	6/1996	Van Blankenburg	D7/625
D379,149 S *	5/1997	Powell et al.	D9/451
D405,318 S *	2/1999	Steinfels	D7/515

D416,799 S *	11/1999	Adams	D9/451
D418,417 S *	1/2000	Hollinger	D9/440
D419,449 S *	1/2000	Adams	D9/451
D419,450 S *	1/2000	Adams	D9/451
D419,880 S *	2/2000	Adams	D9/451
D471,060 S *	3/2003	Salsman	D7/392.1
D493,709 S *	8/2004	Tamez	D9/632
D507,181 S *	7/2005	Malik	D9/451
D535,157 S *	1/2007	Hoehne	D7/628

* cited by examiner

Primary Examiner—Philip S. Hyder

Assistant Examiner—Cynthia Underwood

(74) *Attorney, Agent, or Firm*—Hoffman, Wasson & Gitler,
PC

(57) **CLAIM**

The ornamental design for a dispensing spout, as shown and described.

DESCRIPTION

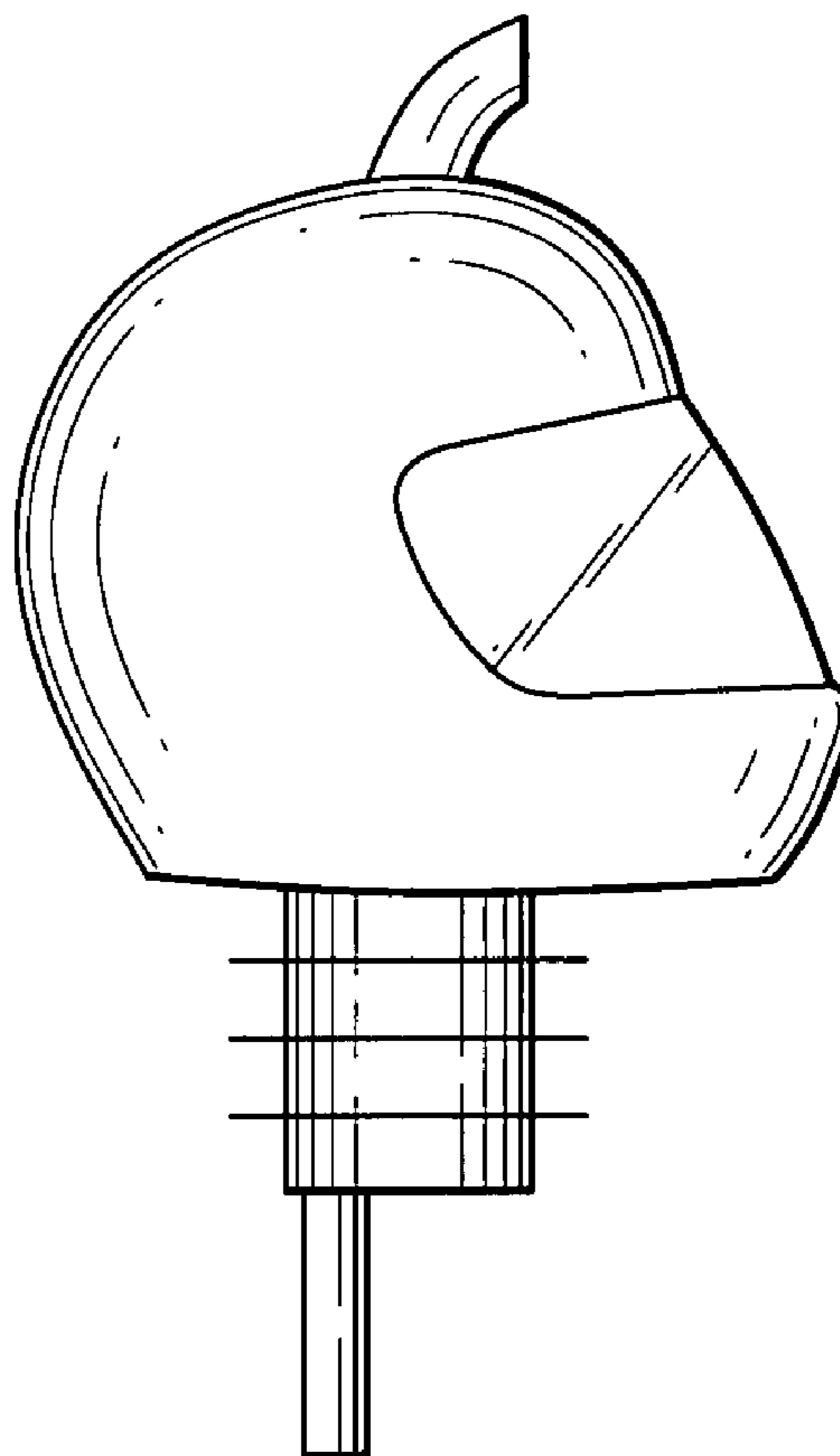
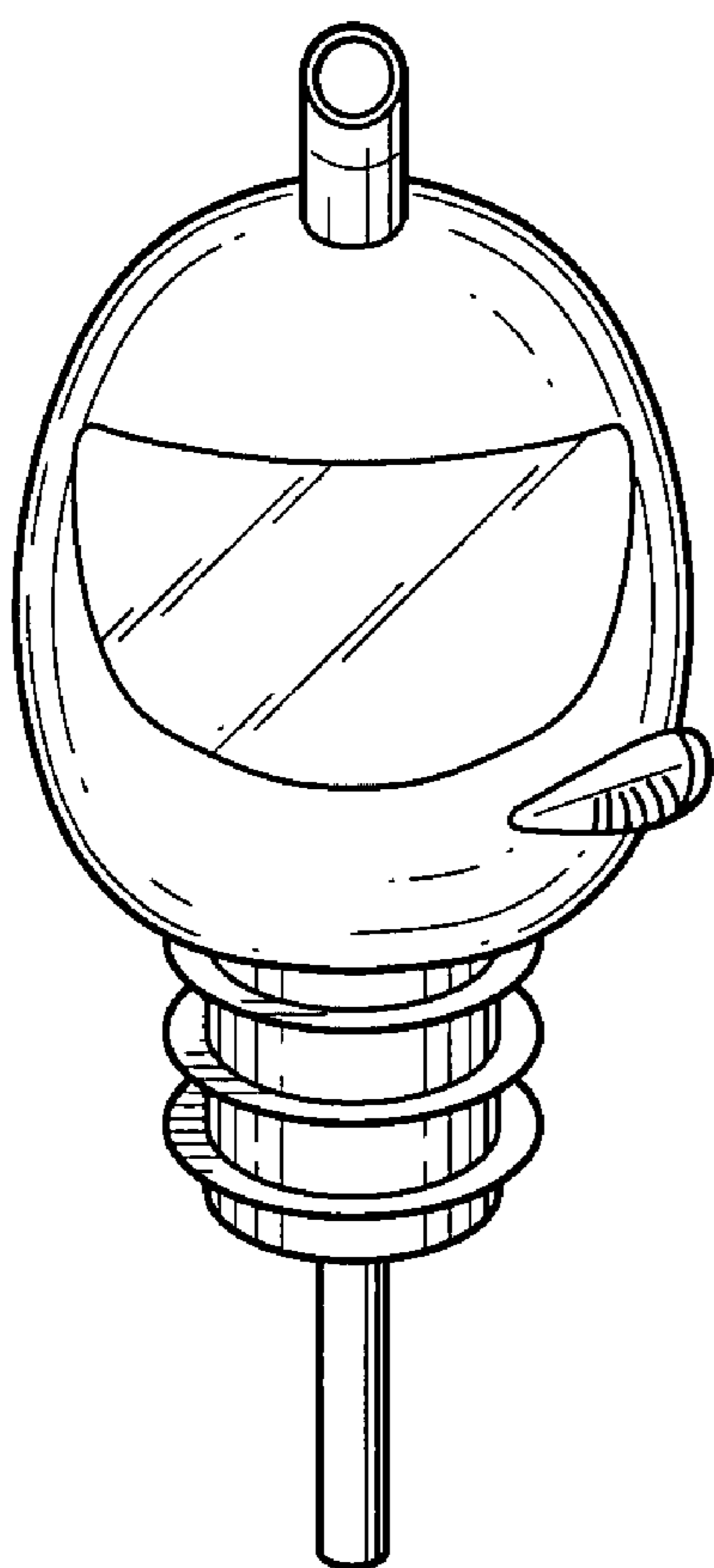
FIG. 1 is a top view of the dispensing spout;

FIG. 2 is a bottom view of the dispensing spout;

FIG. 3 is a front view of the dispensing spout; and,

FIG. 4 is a right side view of the dispensing spout.

1 Claim, 1 Drawing Sheet



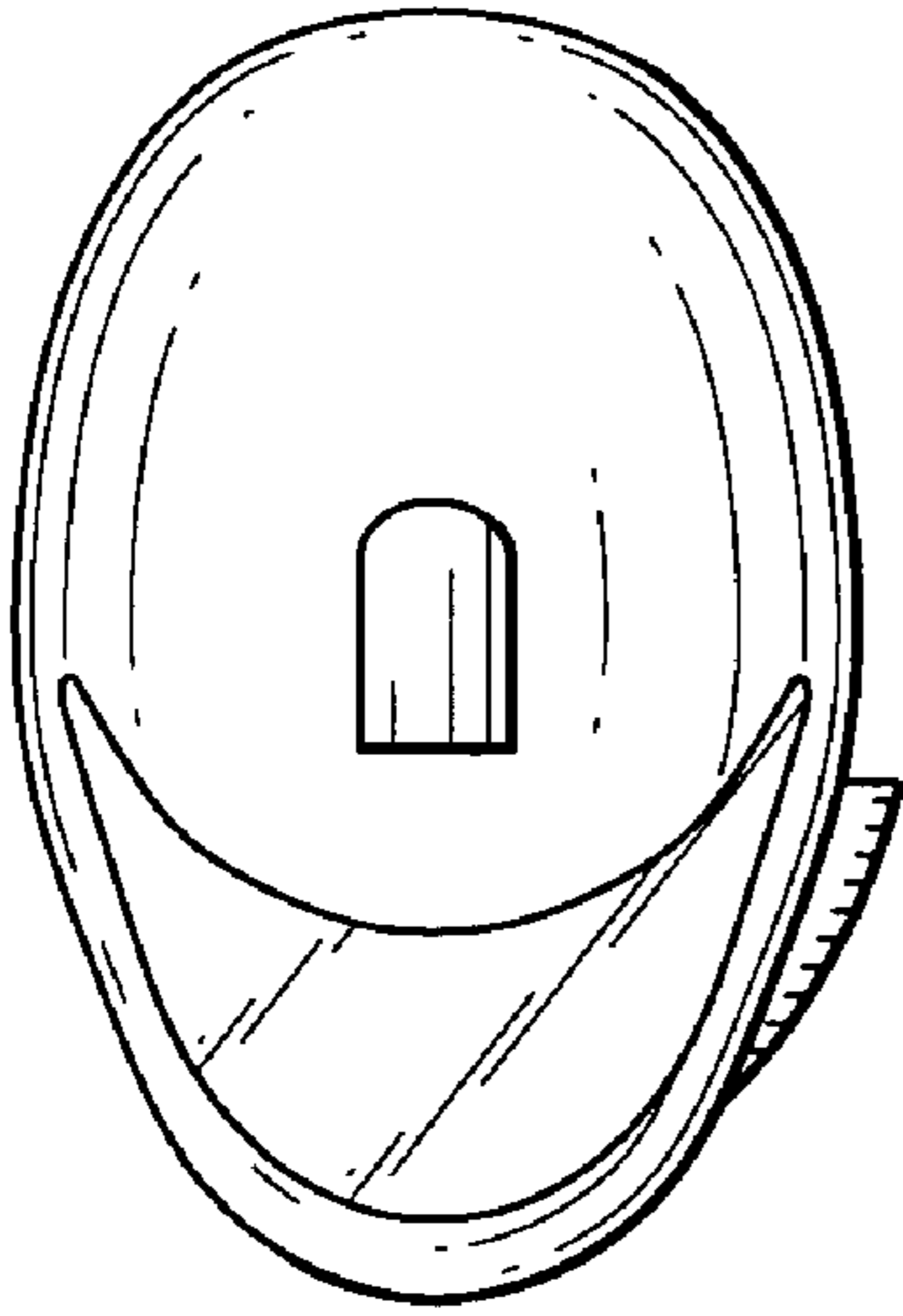


FIG. 1

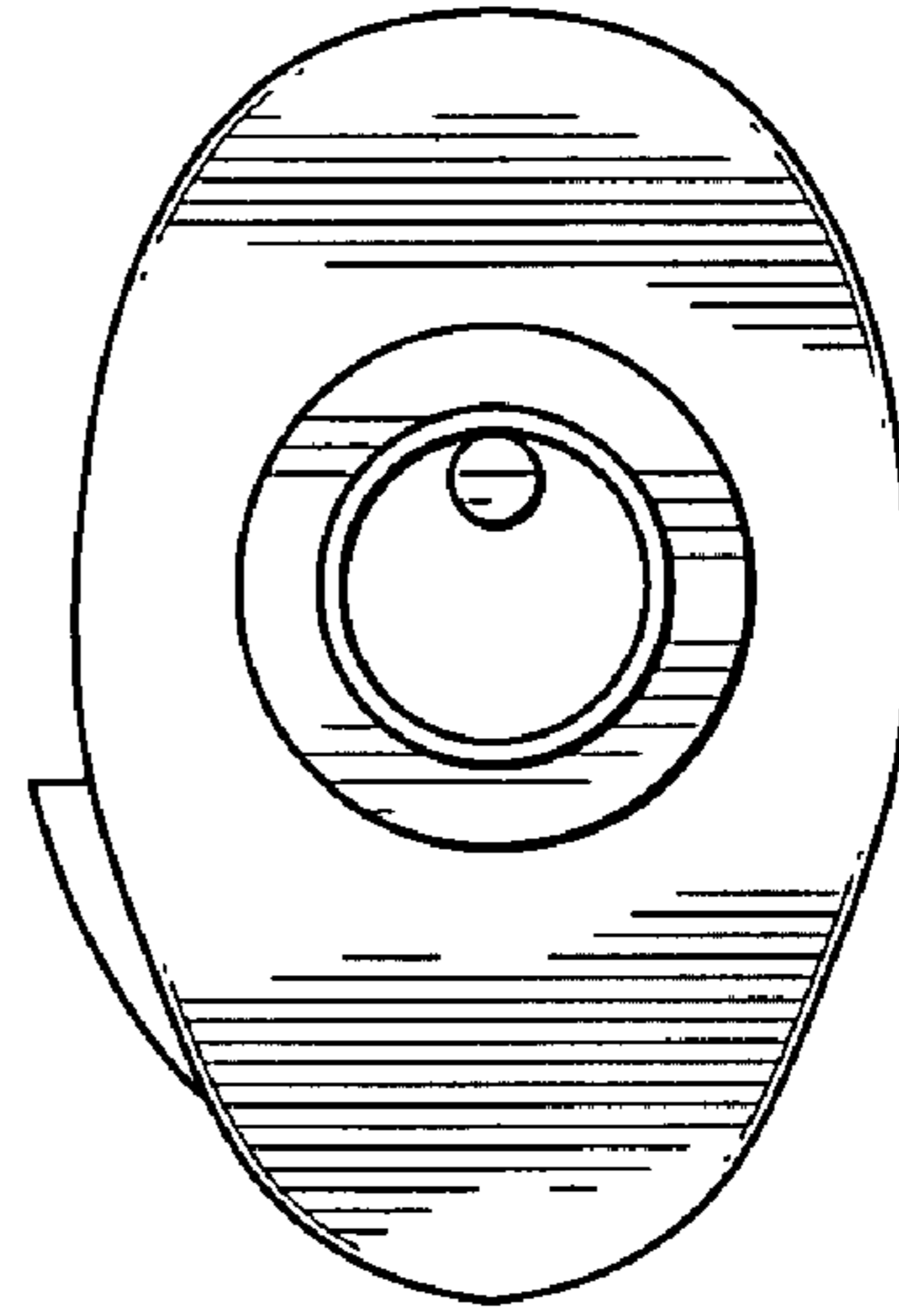


FIG. 2

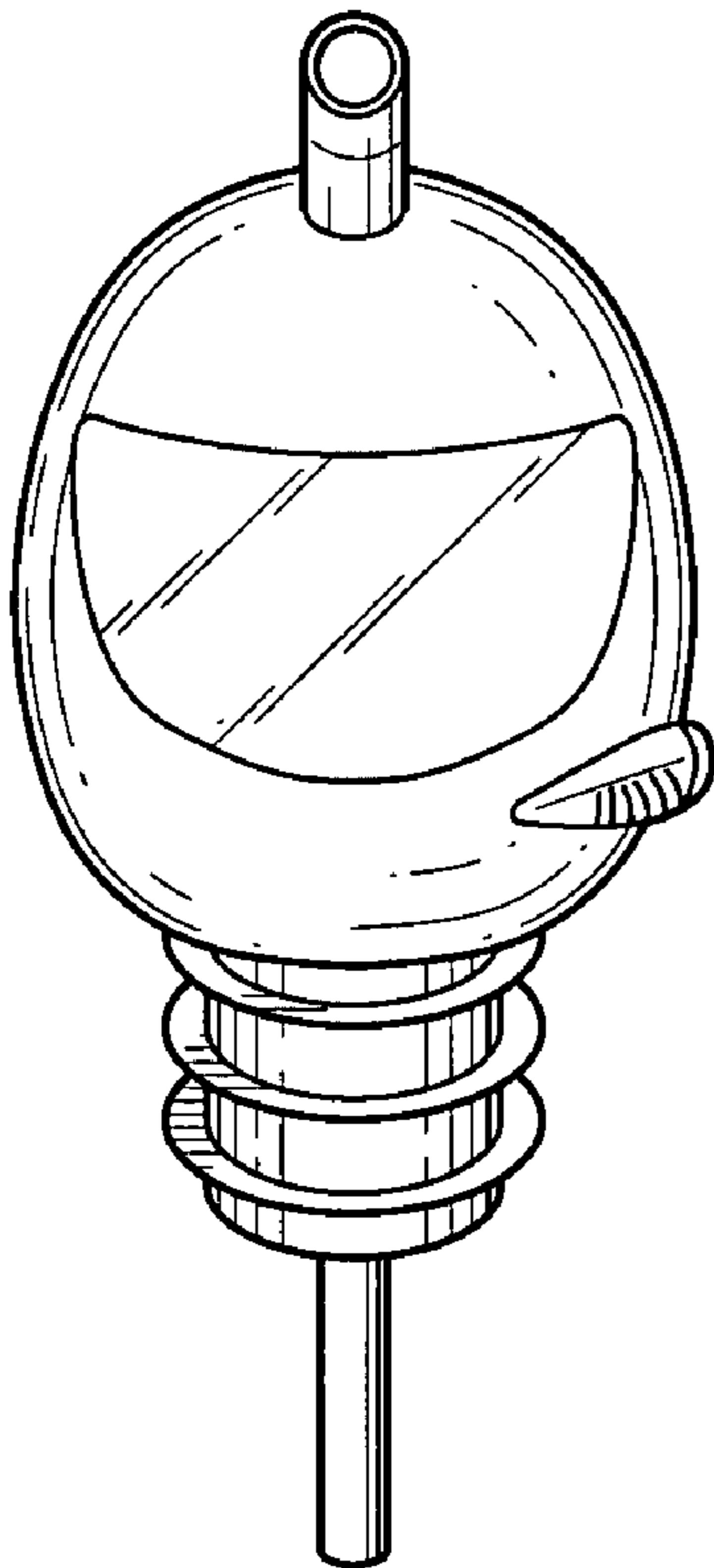


FIG. 3

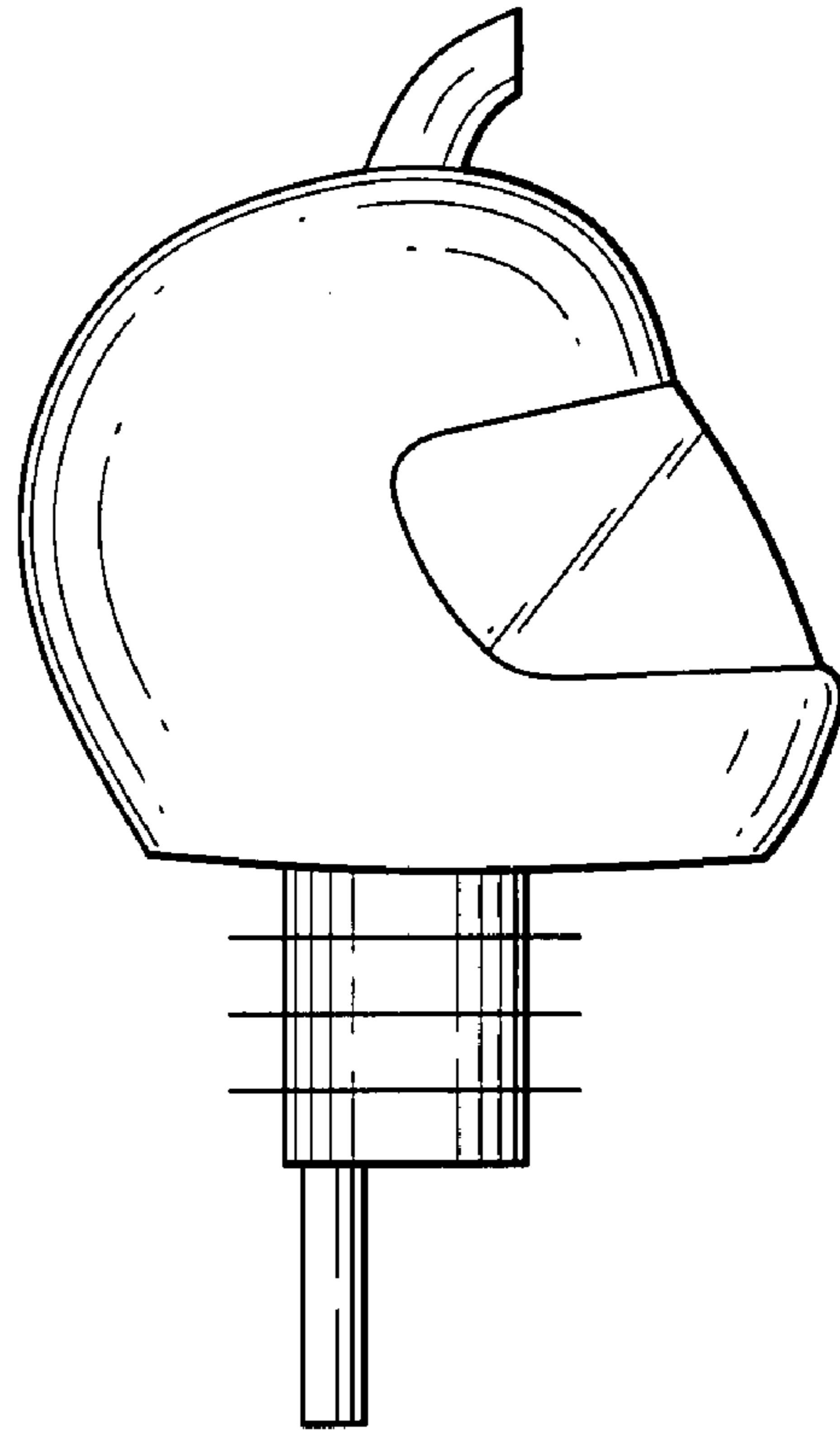


FIG. 4