



US00D562622S

(12) **United States Design Patent**
Weaver

(10) **Patent No.:** **US D562,622 S**

(45) **Date of Patent:** **** Feb. 26, 2008**

(54) **BOTTLE IDENTIFYING TAG**

(76) **Inventor:** **Barbara Weaver**, 114 Little Silver Pkwy., Little Silver, NJ (US) 07739

(**) **Term:** **14 Years**

(21) **Appl. No.:** **29/264,871**

(22) **Filed:** **Aug. 21, 2006**

(51) **LOC (8) Cl.** **07-01**

(52) **U.S. Cl.** **D7/387; D7/396.2; D20/22**

(58) **Field of Classification Search** D7/387, D7/396.2, 396.6, 398, 633, 708.1, 706-708; D3/208; D8/16-19; D9/751, 752, 434; D20/22, D20/42, 10, 19, 27; 40/633, 666; 24/16 PB See application file for complete search history.

(56) **References Cited**

U.S. PATENT DOCUMENTS

D28,619	S	*	5/1898	McFadden	D20/22
1,350,890	A	*	8/1920	Tanzey	40/666
D276,787	S	*	12/1984	Burns	D8/18
4,631,783	A	*	12/1986	Hayashi	24/16 PB
D370,386	S	*	6/1996	Pallesen	D7/398
5,573,152	A	*	11/1996	Arnold	224/148.4

D434,896	S	*	12/2000	Haugh et al.	D3/208
D458,523	S	*	6/2002	Newton, Sr.	D8/17
D505,588	S	*	5/2005	Wax	D7/396.2
D510,108	S	*	9/2005	Moshitta	D20/42

* cited by examiner

Primary Examiner—Philip S. Hyder
Assistant Examiner—Cynthia Underwood

(57) **CLAIM**

The ornamental design for a bottle identifying tag, as shown and described.

DESCRIPTION

FIG. 1 is an isometric view of the bottle identifying tag; FIG. 2 is a front elevational view thereof; FIG. 3 is a rear elevational view thereof; FIG. 4 is a bottom plan view thereof; FIG. 5 is a top plan view thereof; FIG. 6 is a left elevational view thereof; and, FIG. 7 is a right elevational view thereof.

1 Claim, 2 Drawing Sheets

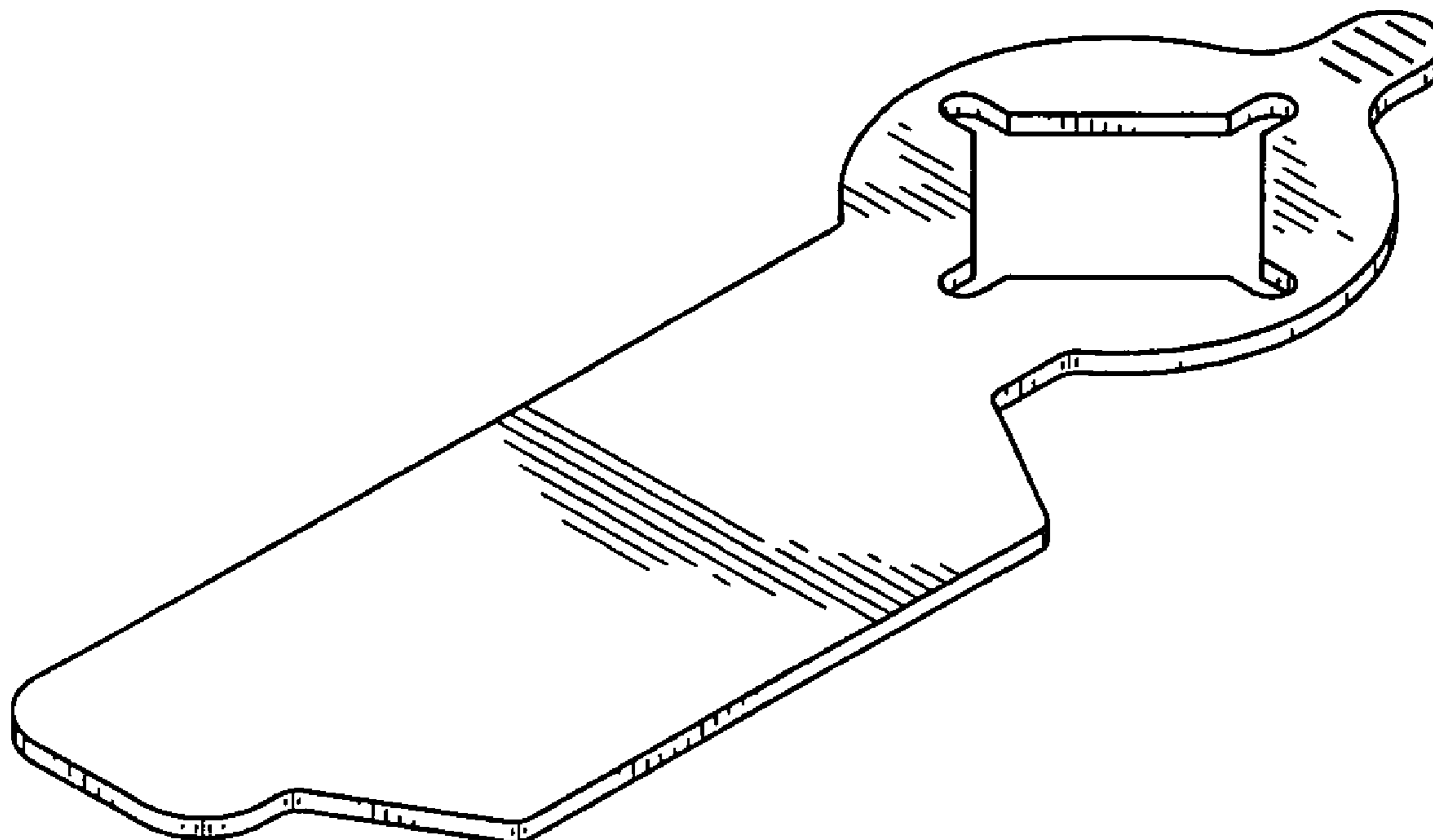


FIG. 1

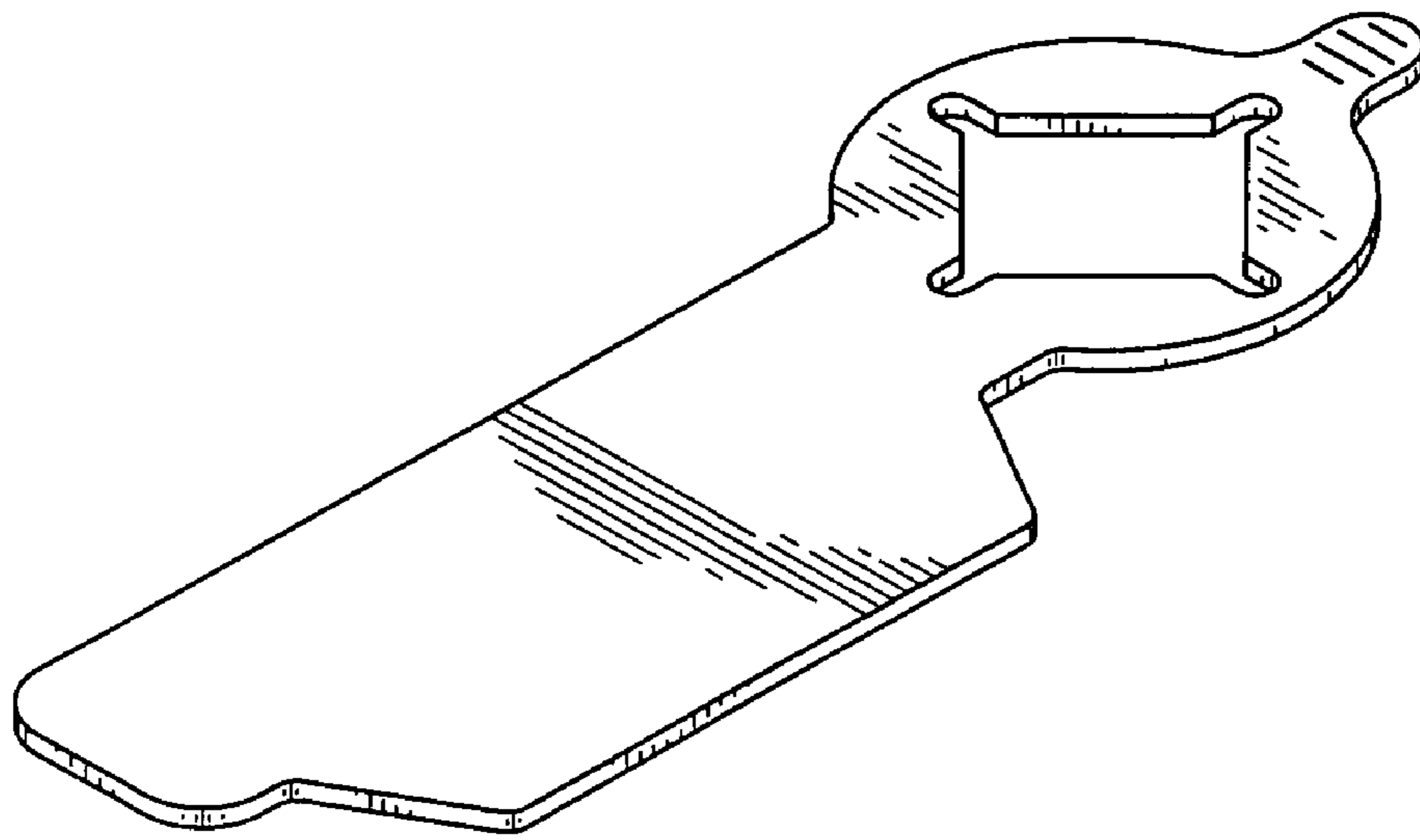


FIG. 2

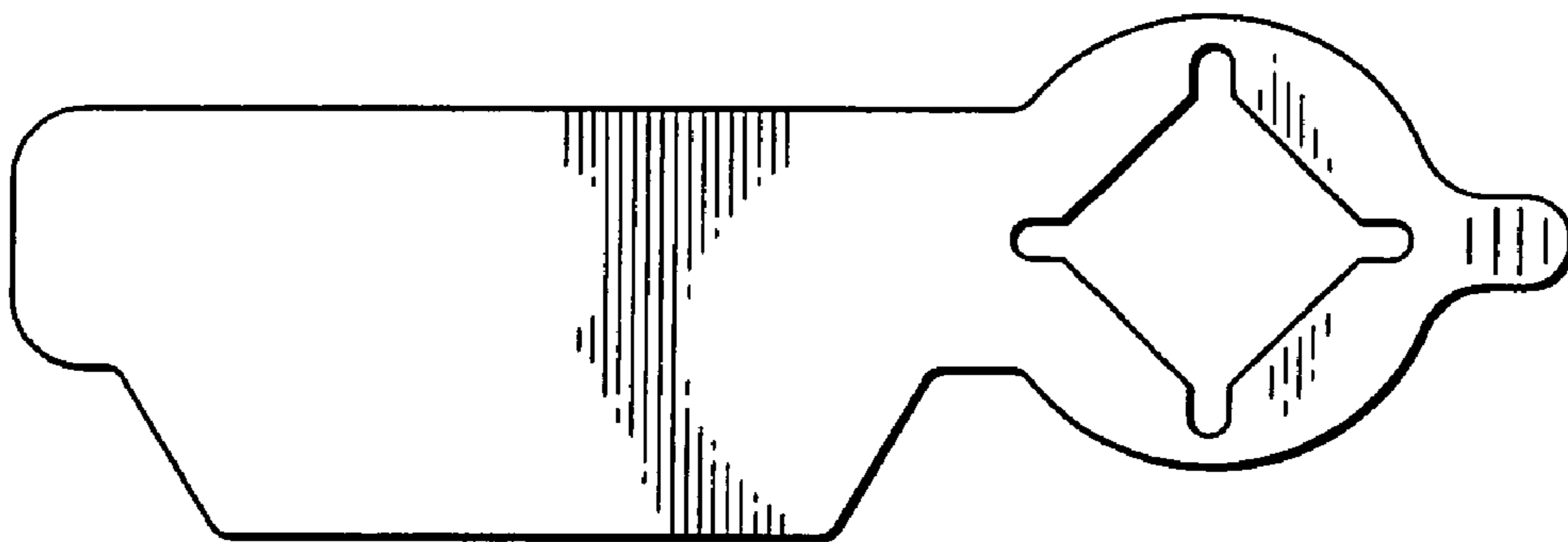


FIG. 3

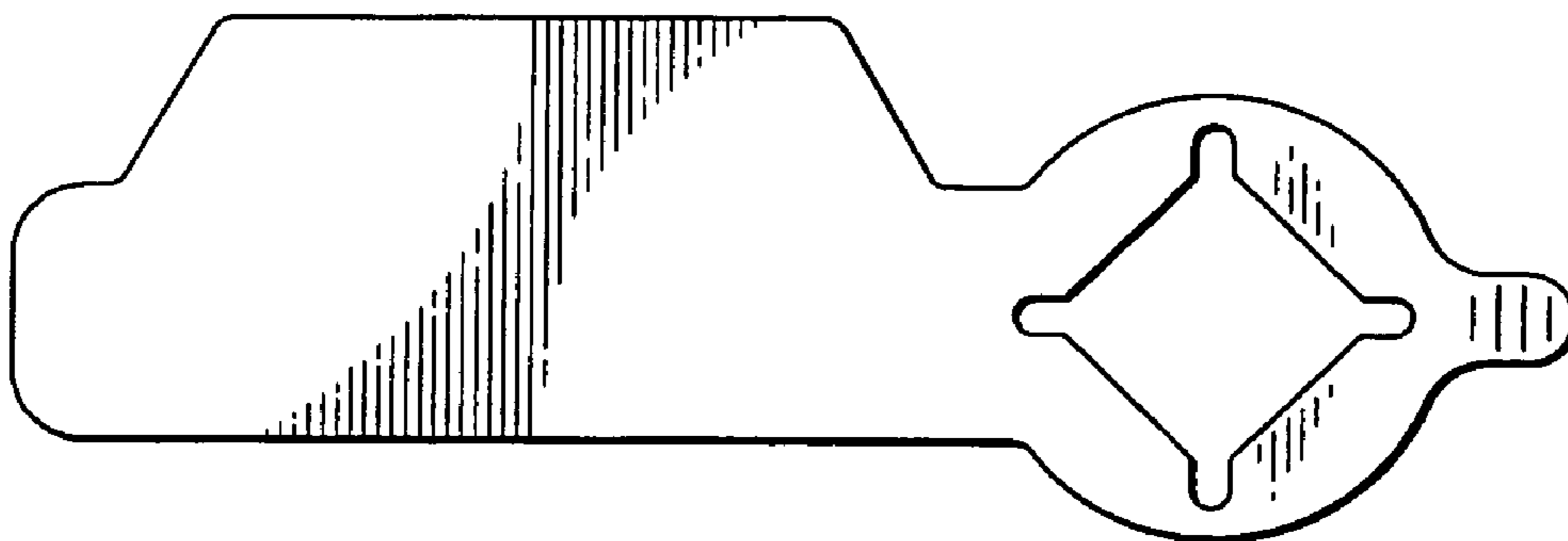


FIG. 4

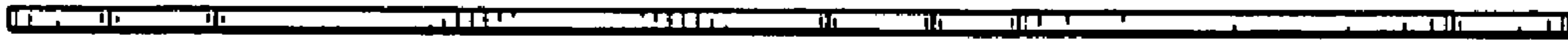


FIG. 5

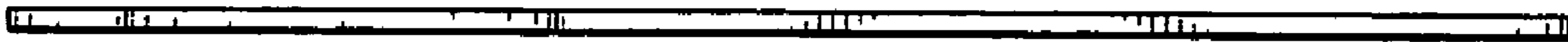


FIG. 6



FIG. 7

