

US00D562620S

(12) **United States Design Patent**
Li

(10) **Patent No.:** **US D562,620 S**

(45) **Date of Patent:** **** Feb. 26, 2008**

(54) **FRYER AND ROASTER**

(75) Inventor: **Junhong Li**, Xiamen (CN)

(73) Assignee: **Tsann Kuen Enterprises Co., Ltd.**
(CN)

(**) Term: **14 Years**

(21) Appl. No.: **29/281,950**

(22) Filed: **Jul. 6, 2007**

(30) **Foreign Application Priority Data**

May 22, 2007 (CN) 2007 3 0139313

(51) **LOC (8) Cl.** **07-02**

(52) **U.S. Cl.** **D7/352**

(58) **Field of Classification Search** D7/323,
D7/328-332, 334-339, 347, 352-363; 99/219,
99/331, 339-341, 349, 357, 369, 372-375,
99/385, 386, 389, 424, 425, 444, 446, 466,
99/601, 618, 620; 219/524, 525, 620-622,
219/732-734; 220/23.8

See application file for complete search history.

(56) **References Cited**

U.S. PATENT DOCUMENTS

D462,228 S *	9/2002	Wu	D7/352
D462,229 S *	9/2002	Wu	D7/352
D462,230 S *	9/2002	Wu	D7/352
D462,566 S *	9/2002	Wu	D7/352
D493,663 S *	8/2004	Lin et al.	D7/347
D494,407 S *	8/2004	Lin et al.	D7/347

D521,310 S *	5/2006	Lin	D7/352
D522,802 S *	6/2006	Dreimann et al.	D7/352
D526,154 S *	8/2006	Dreimann et al.	D7/352
D540,109 S *	4/2007	Dreimann et al.	D7/352
D541,580 S *	5/2007	Dreimann et al.	D7/352
D550,025 S *	9/2007	Chao	D7/352
D550,026 S *	9/2007	Chao	D7/352

* cited by examiner

Primary Examiner—Caron D. Veynar

Assistant Examiner—Ricky Pham

(74) *Attorney, Agent, or Firm*—Kening Li

(57) **CLAIM**

The ornamental design for a fryer and roaster, as shown and described.

DESCRIPTION

FIG. 1 is a top plan view of the present fryer and roaster;

FIG. 2 is a front elevational view thereof;

FIG. 3 is a rear elevational view thereof;

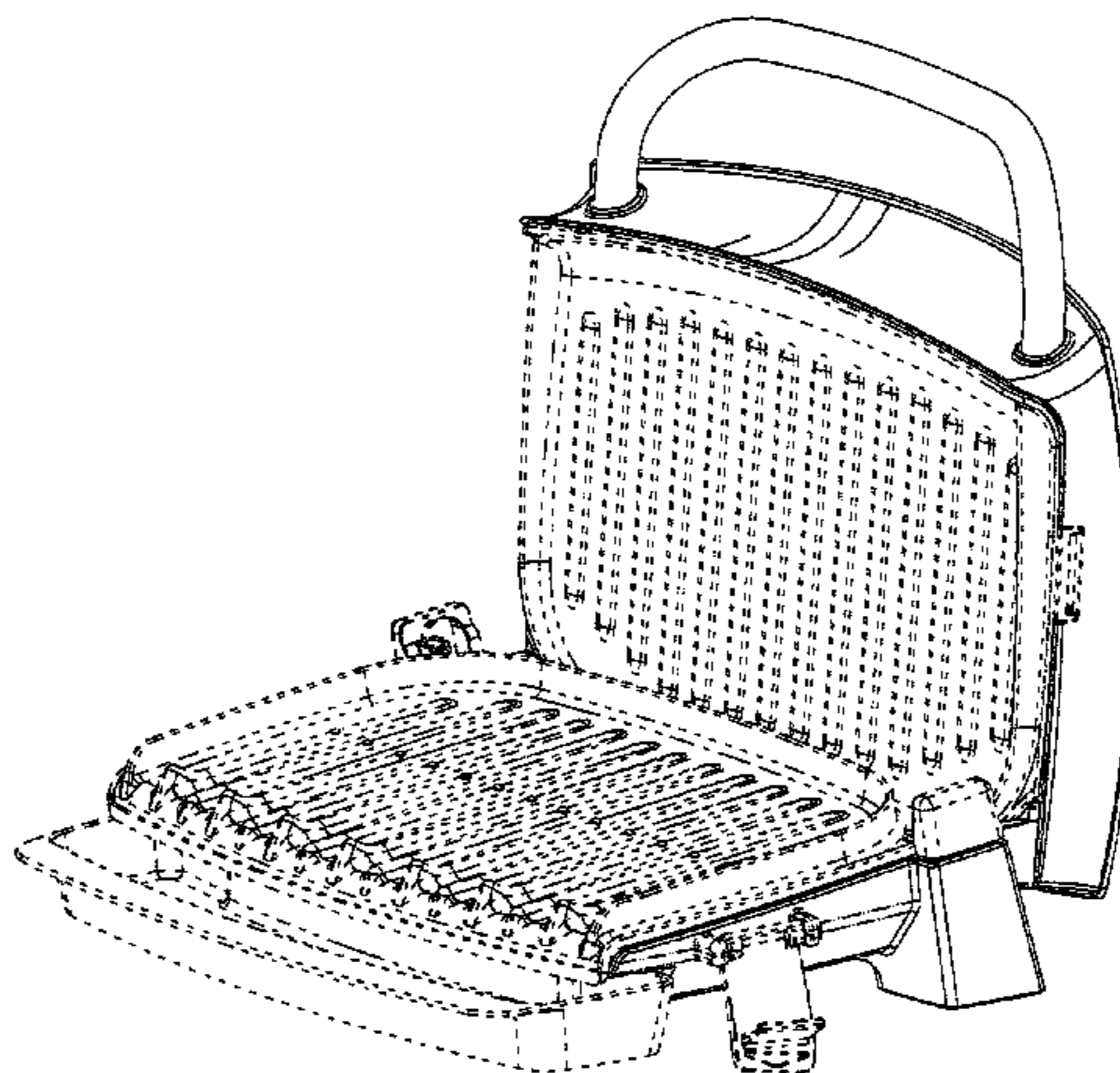
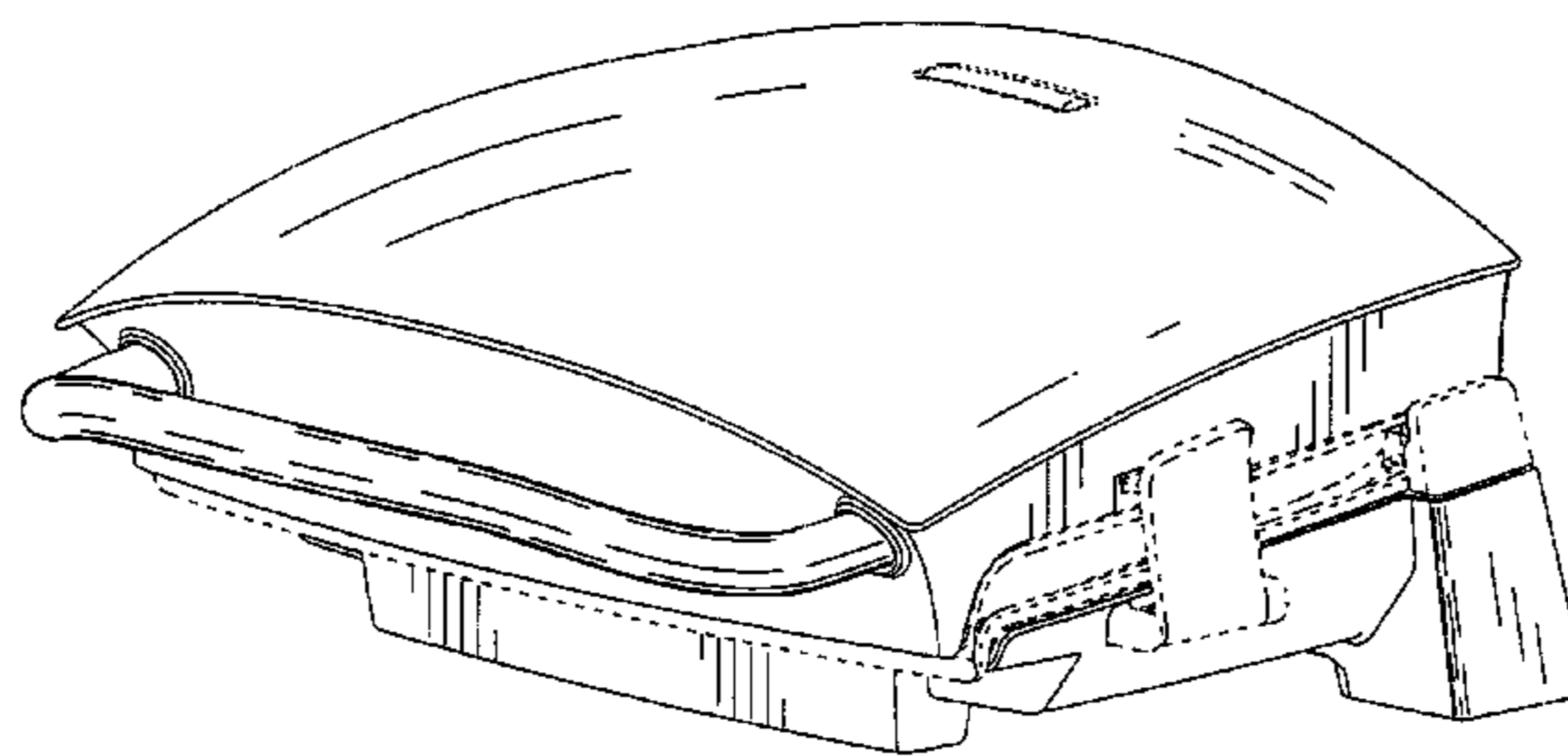
FIG. 4 is a side elevational view thereof, the opposite side being a mirror image;

FIG. 5 is an isometric view of the present fryer and roaster shown on a closed position; and,

FIG. 6 is an isometric view of the present fryer and roaster shown in an opened position.

The broken lines shown in the drawings are for illustrative purposes only and form no part of the claimed design.

1 Claim, 6 Drawing Sheets



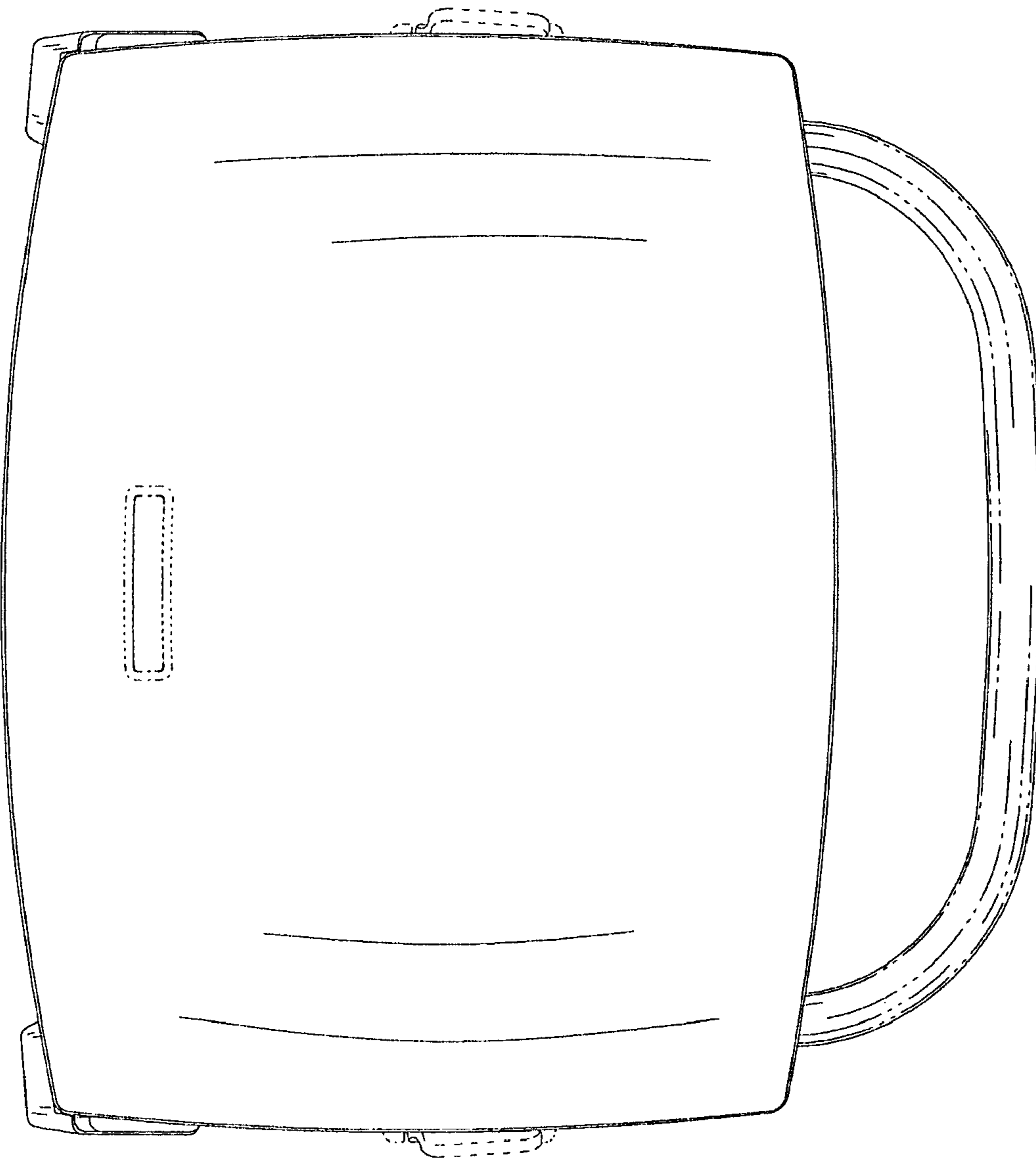


Fig.1

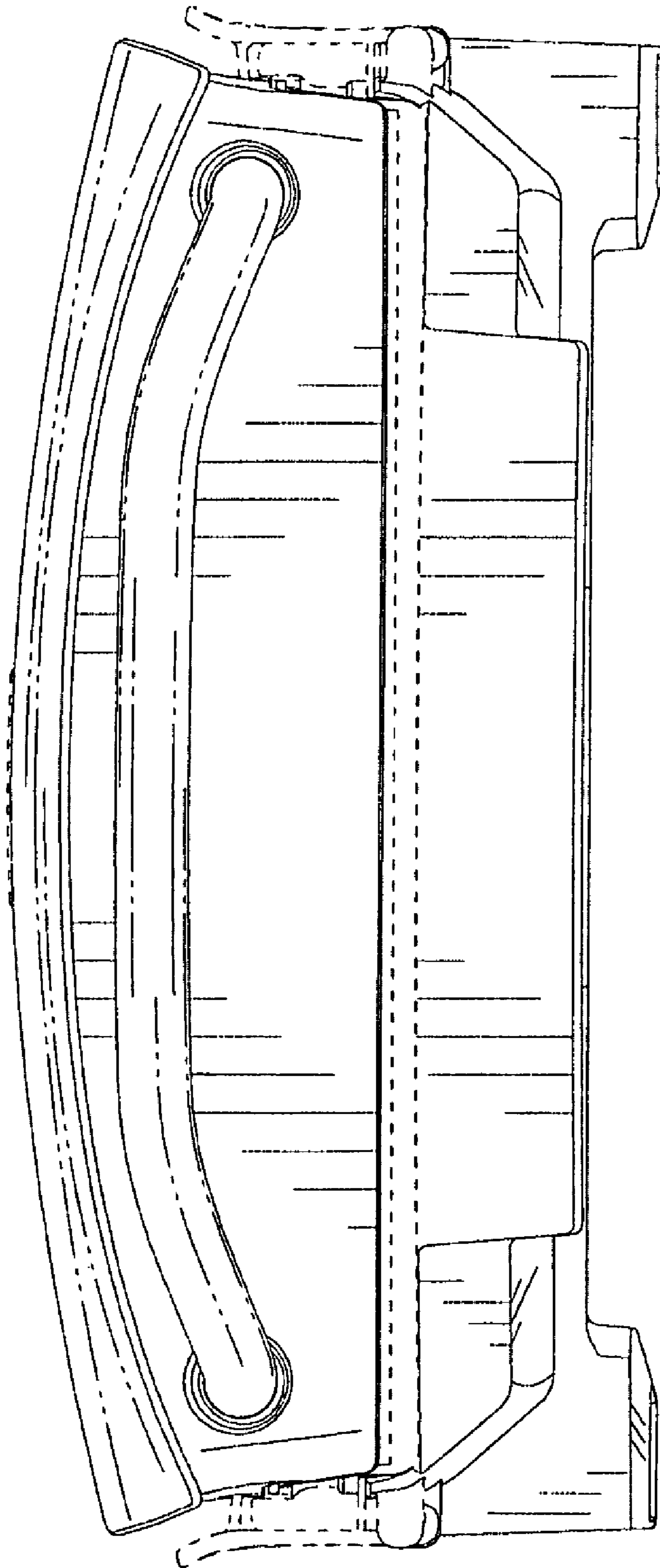


Fig.2

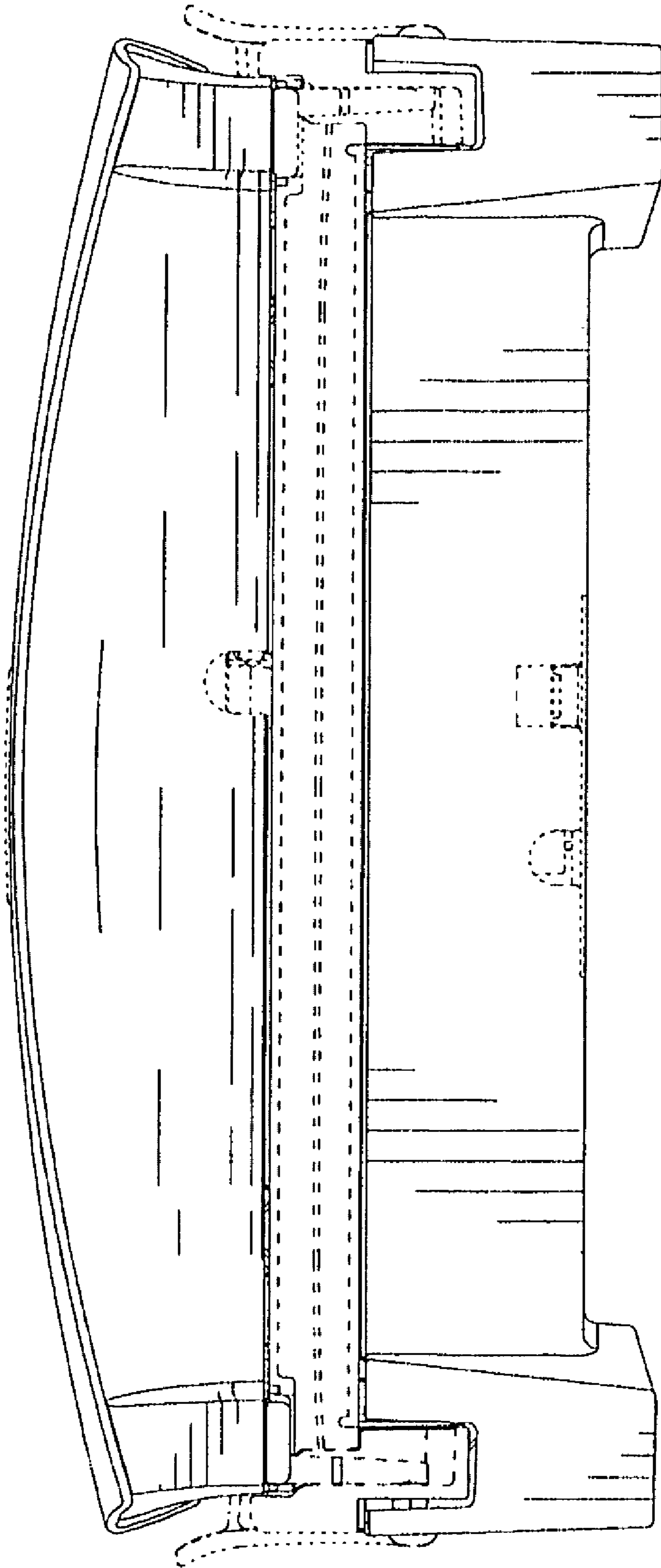


Fig.3

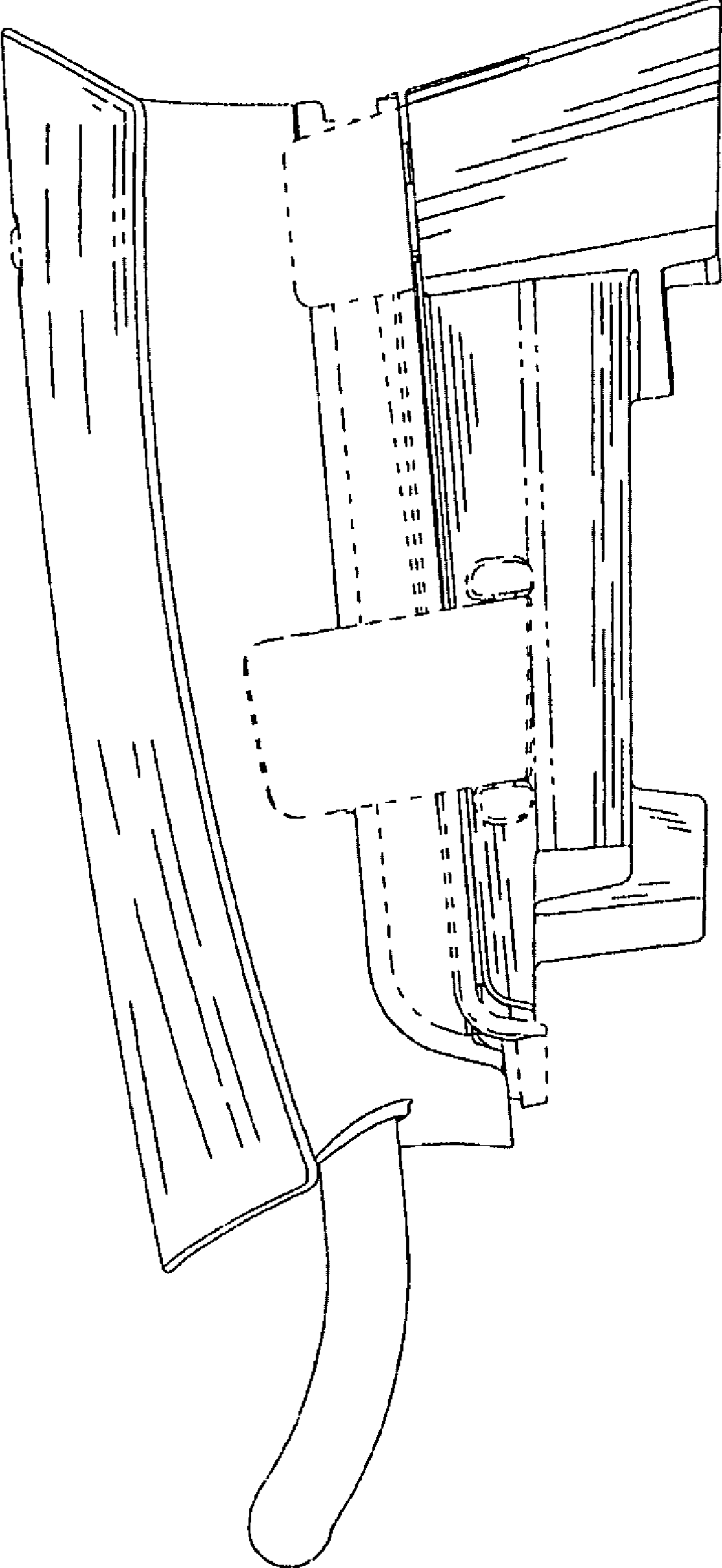


Fig.4

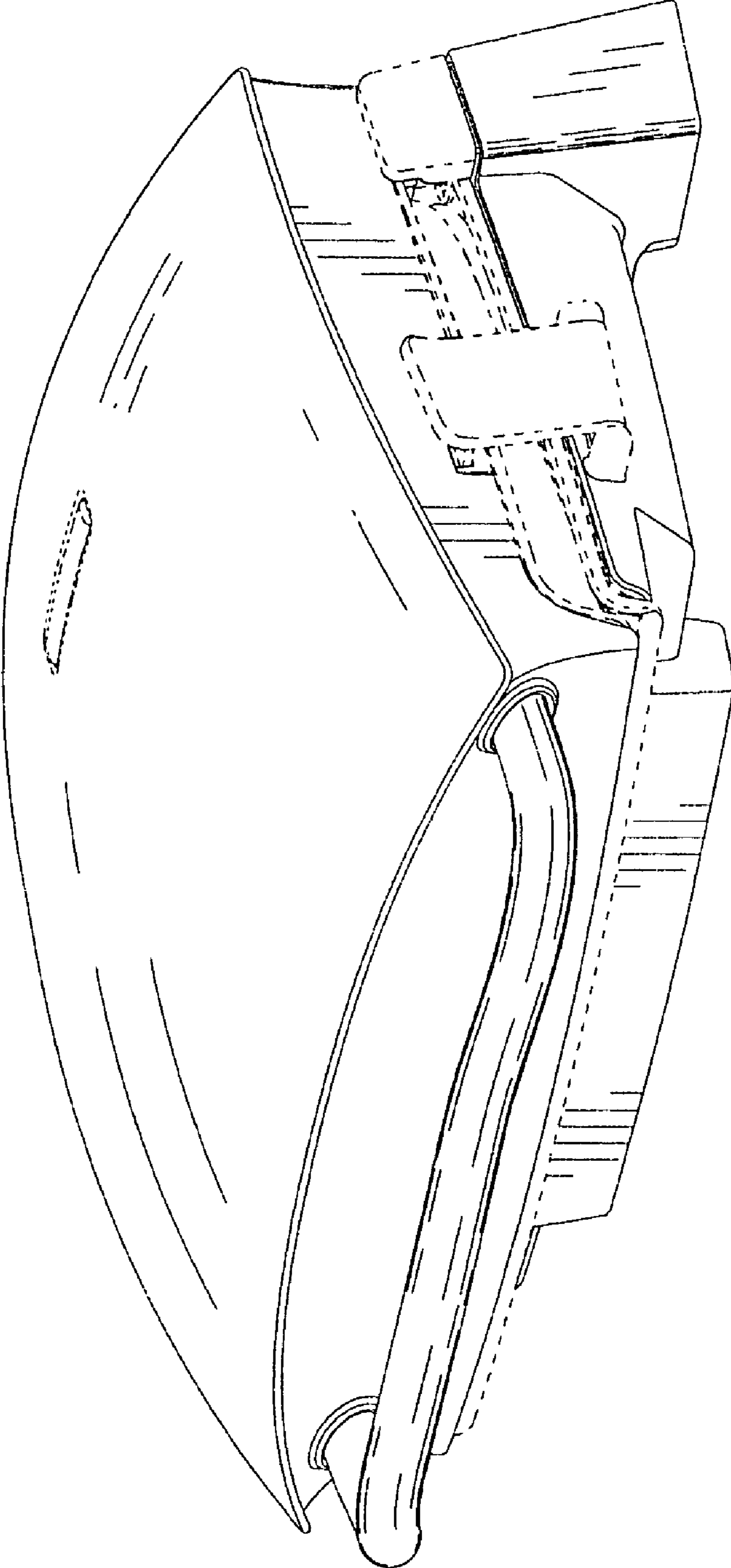


Fig.5

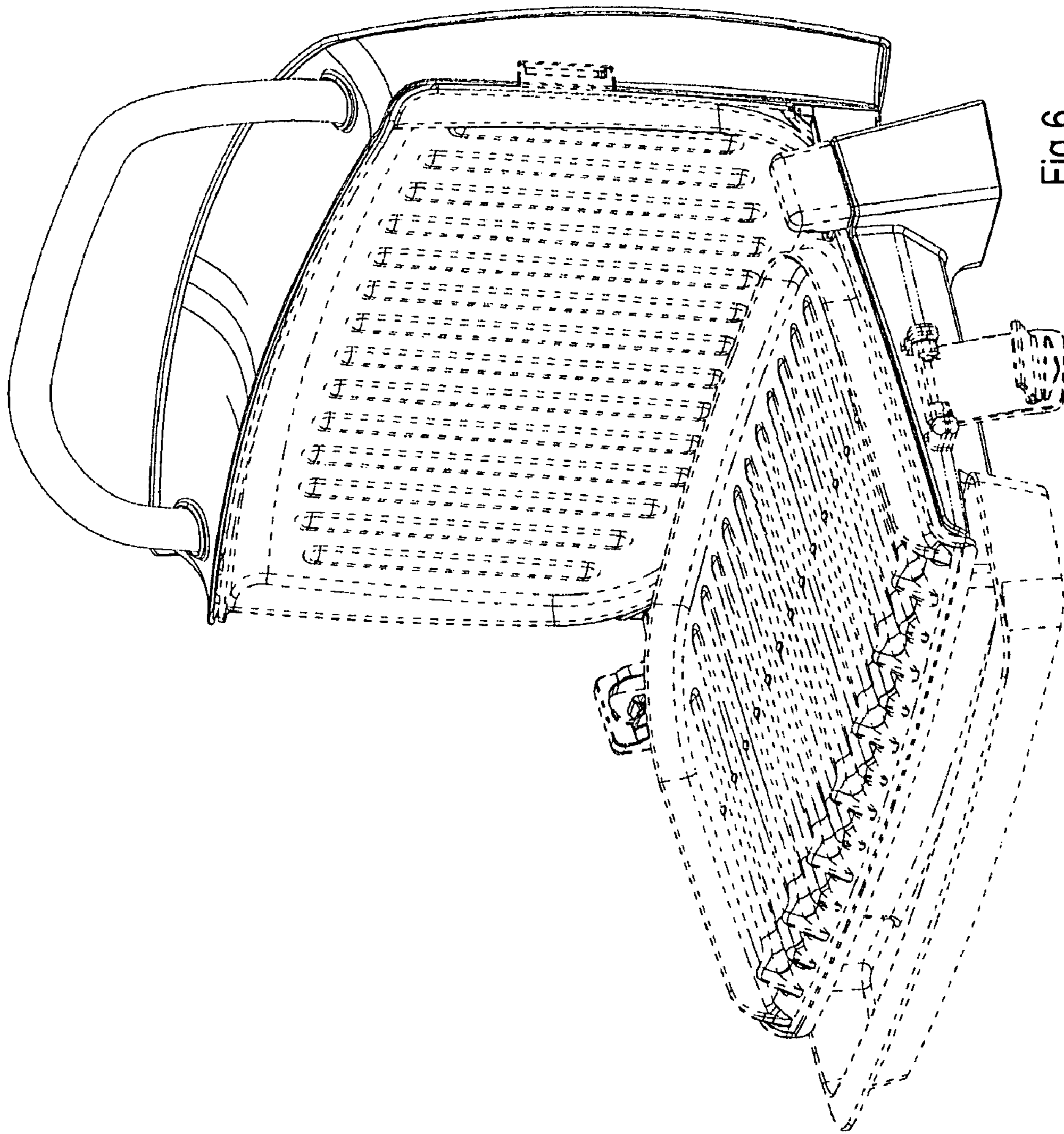


Fig.6