

US00D562619S

(12) **United States Design Patent**  
**Henley et al.**

(10) **Patent No.:** **US D562,619 S**

(45) **Date of Patent:** **\*\* Feb. 26, 2008**

(54) **PORTABLE BARBECUE GRILL AND CART ASSEMBLY**

(75) Inventors: **Michael E. Henley**, Liberty Township, OH (US); **Michael Steven Joss**, Chicago, IL (US); **Charles Moses**, Columbus, GA (US)

(73) Assignee: **Char-Broil LLC**, Columbus, GA (US)

(\*\*) Term: **14 Years**

(21) Appl. No.: **29/262,718**

(22) Filed: **Jul. 10, 2006**

(51) **LOC (8) Cl.** ..... **07-02**

(52) **U.S. Cl.** ..... **D7/334**

(58) **Field of Classification Search** ..... D7/332, D7/334-337, 402-404; 446/153; 126/25 R, 126/25 A, 25 AA, 37 R, 38, 41 R, 40, 50, 126/39 B, 268, 276, 9 R; 99/449, 481, 482  
See application file for complete search history.

(56) **References Cited**

**U.S. PATENT DOCUMENTS**

- 5,623,866 A \* 4/1997 Home ..... 99/444
- D456,202 S \* 4/2002 McNair et al. .... D7/332
- D460,312 S \* 7/2002 Fry et al. .... D7/334

- D472,757 S \* 4/2003 Schulte et al. .... D7/334
- 6,951,213 B2 \* 10/2005 Coleman et al. .... 126/38
- D520,298 S \* 5/2006 Huegerich et al. .... D7/402
- D525,829 S \* 8/2006 Chung ..... D7/402
- D526,842 S \* 8/2006 Chung ..... D7/402
- 2003/0029436 A1 \* 2/2003 Carden et al. .... 126/41 R

\* cited by examiner

*Primary Examiner*—Ruth McInroy

(74) *Attorney, Agent, or Firm*—James W. Kayden; Thomas, Kayden, Horstemeyer & Risley, LLP

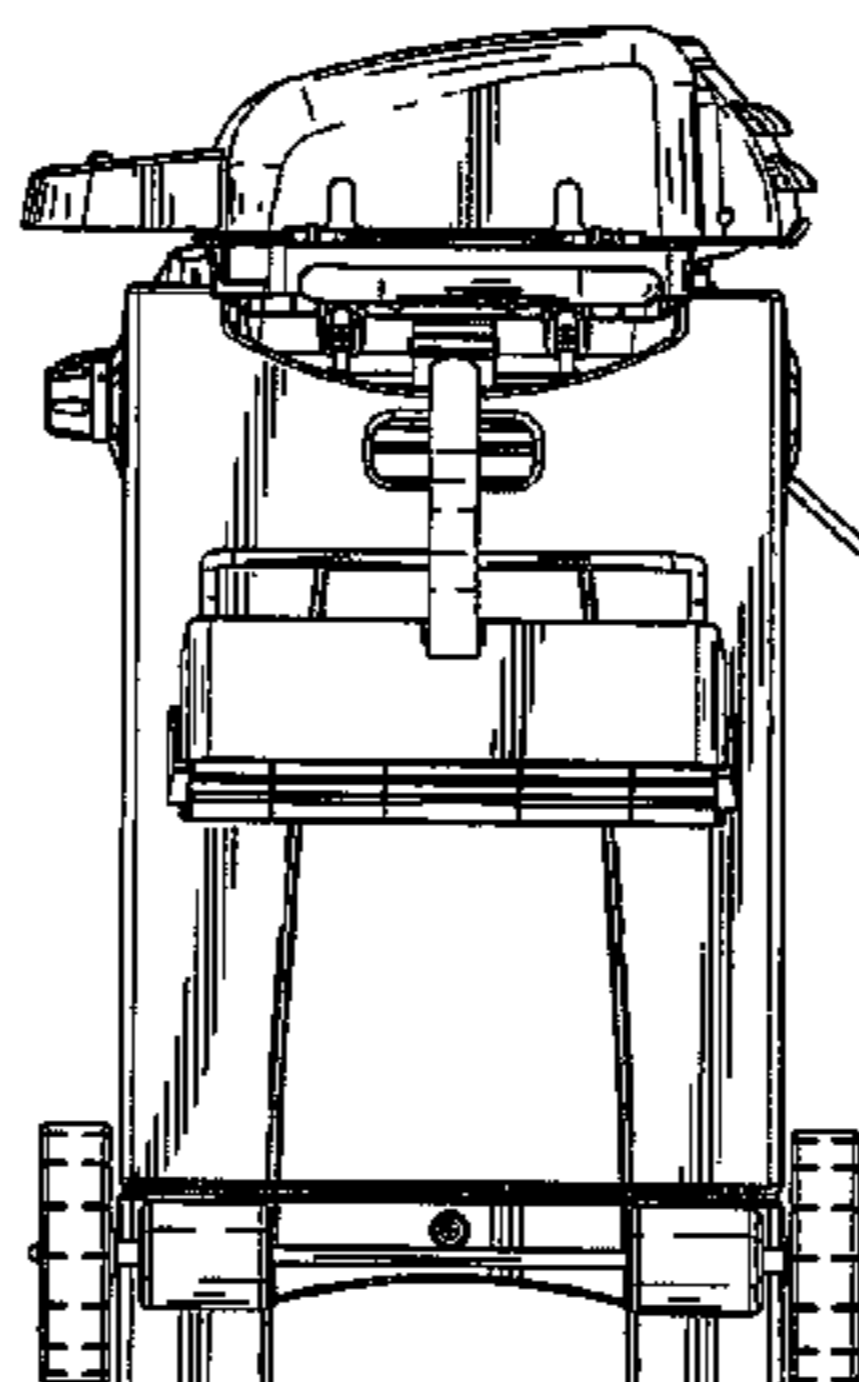
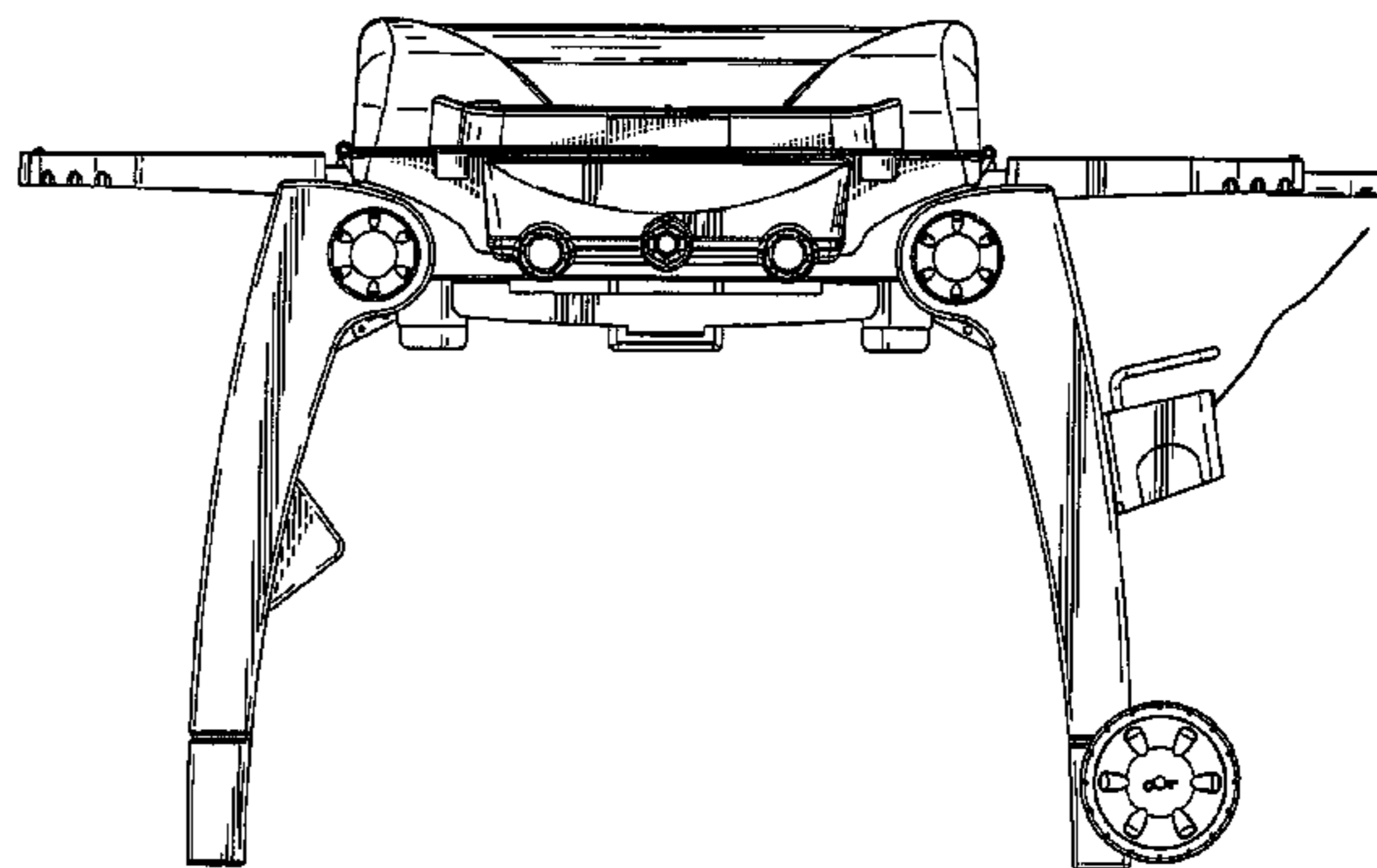
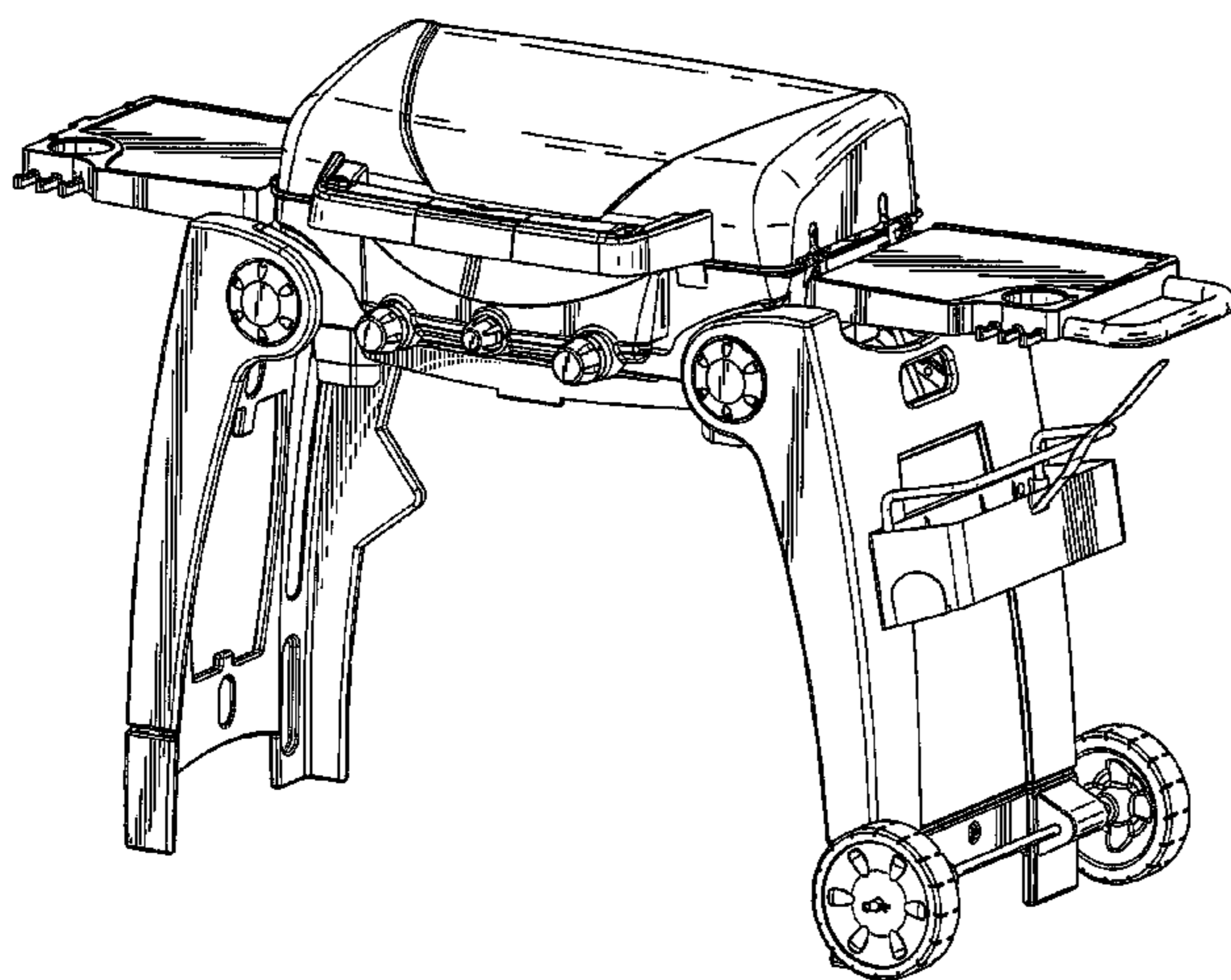
(57) **CLAIM**

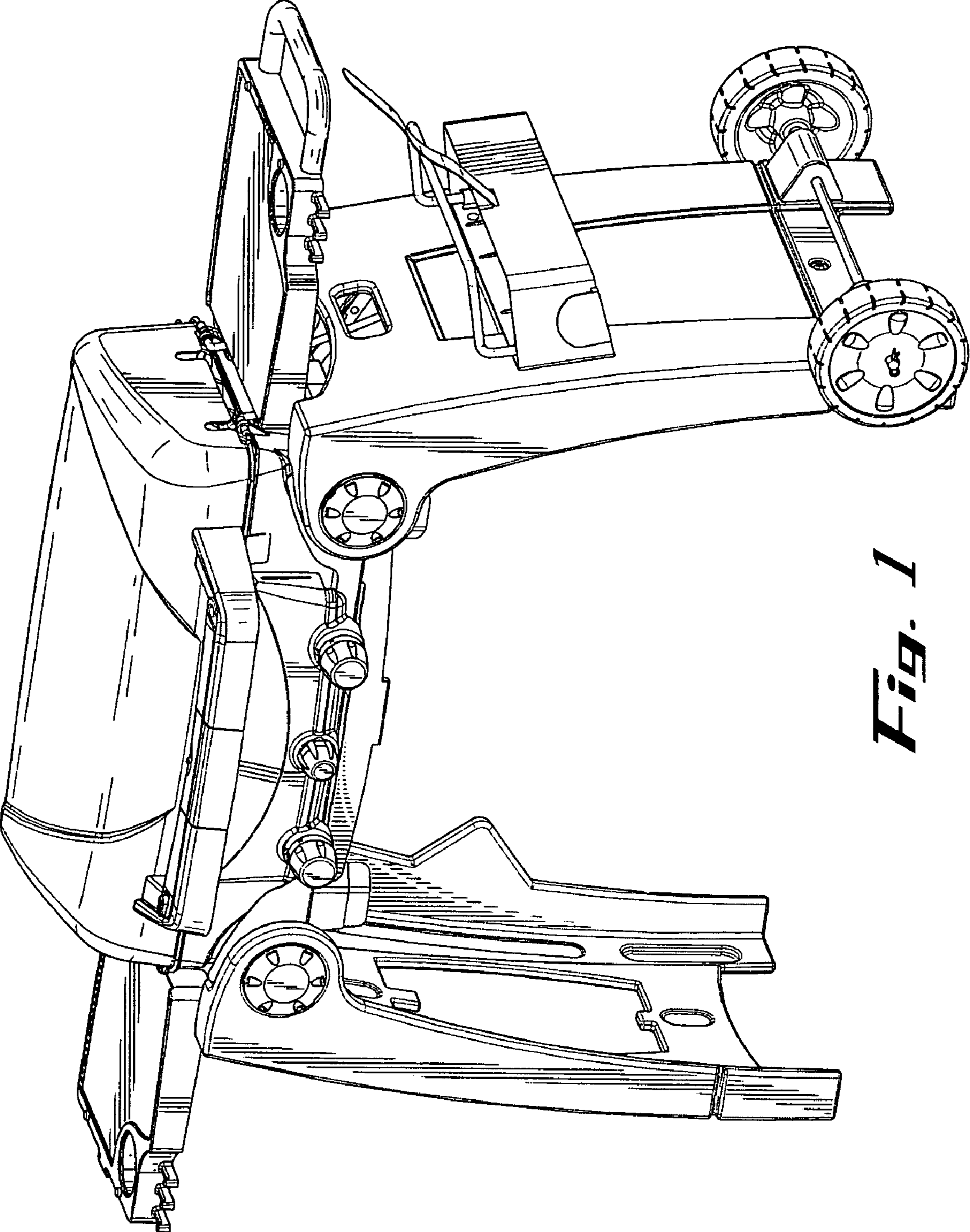
We claim the ornamental design for a portable barbecue grill and cart assembly, as shown and described.

**DESCRIPTION**

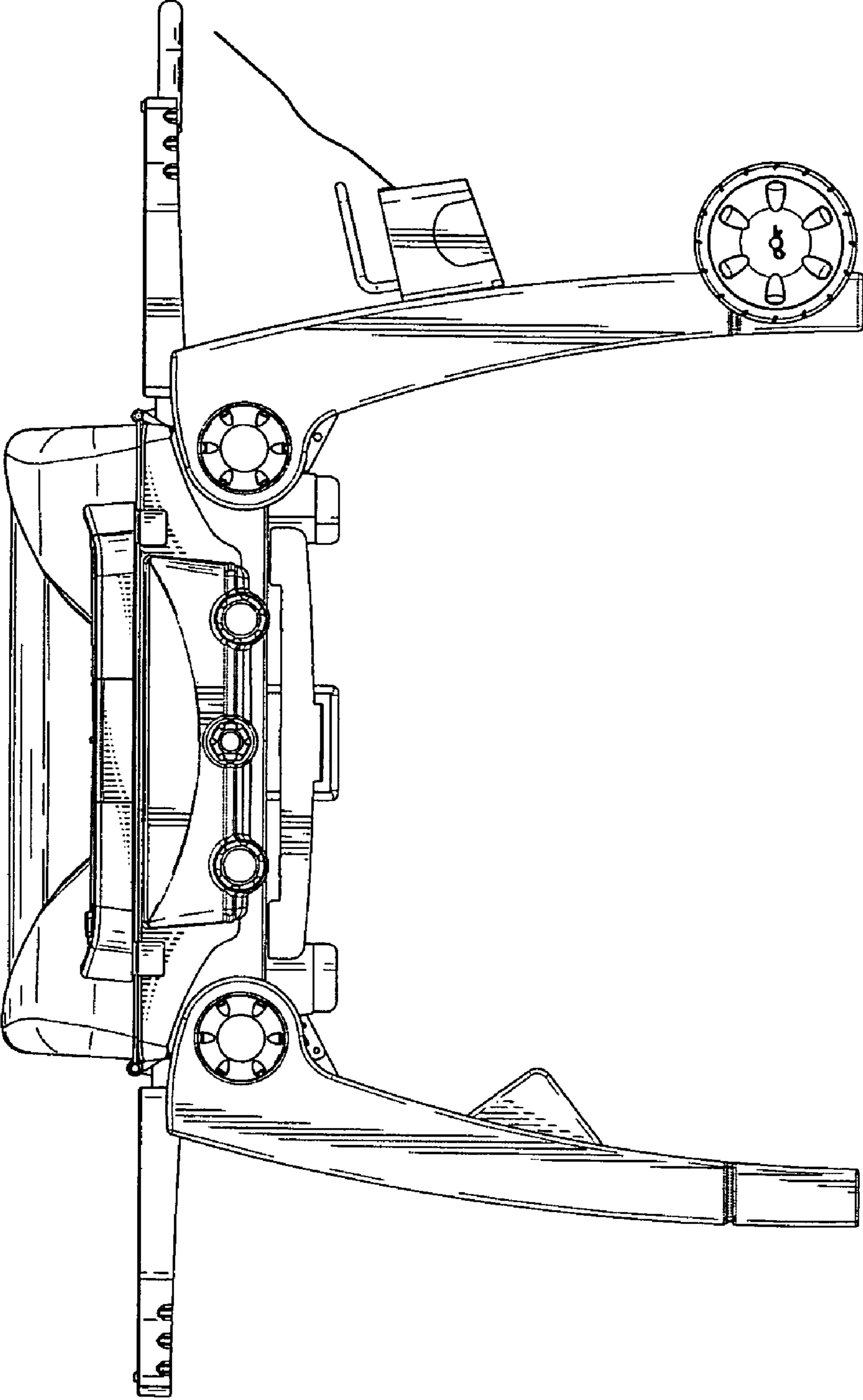
FIG. 1 is a perspective view showing our new portable barbecue grill and cart assembly;  
 FIG. 2 is a front elevational view thereof;  
 FIG. 3 is a rear elevational view thereof;  
 FIG. 4 is a right side elevational view thereof;  
 FIG. 5 is a left side elevational view thereof;  
 FIG. 6 is a top plan view thereof; and,  
 FIG. 7 is a bottom plan view thereof.

**1 Claim, 6 Drawing Sheets**

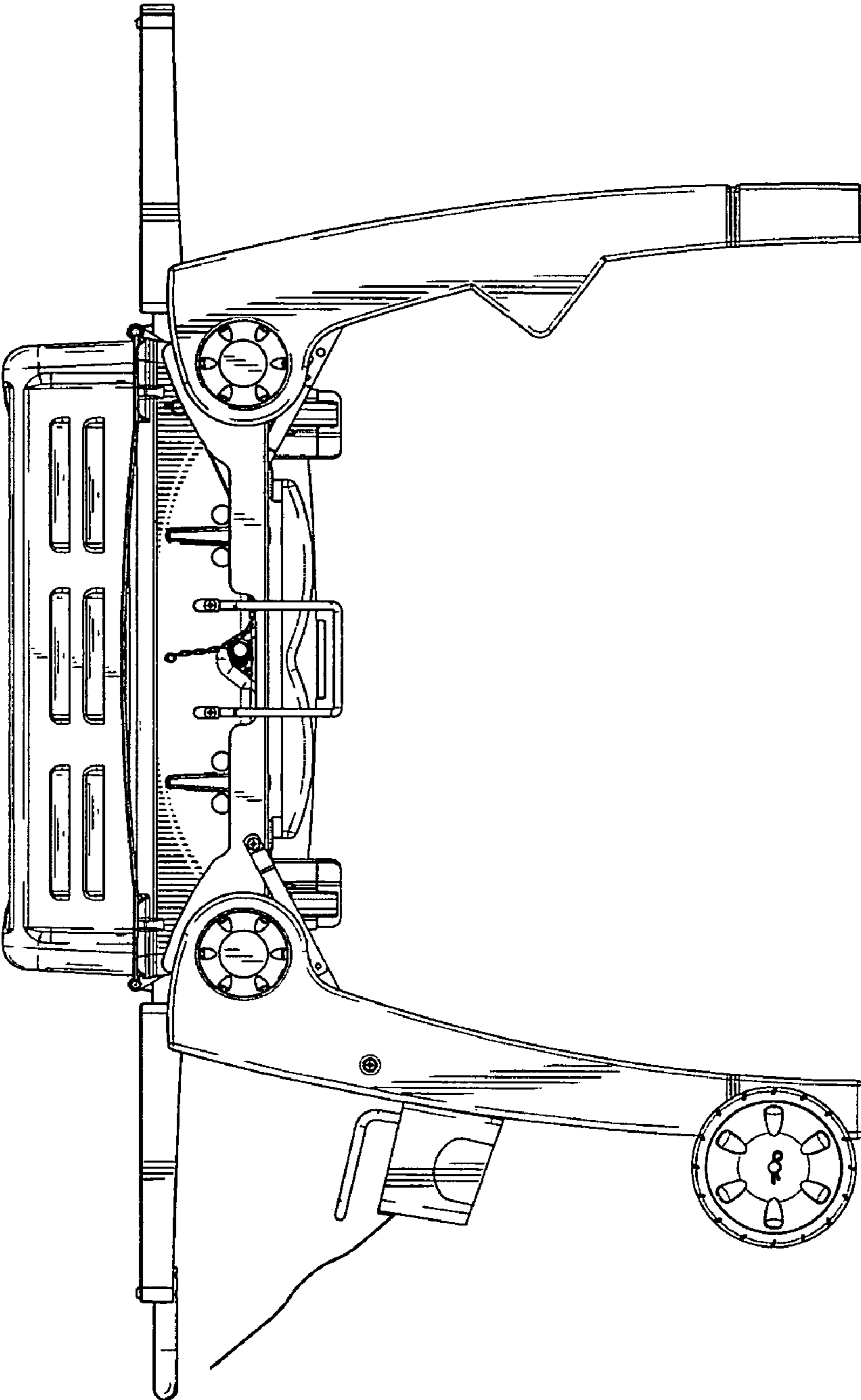




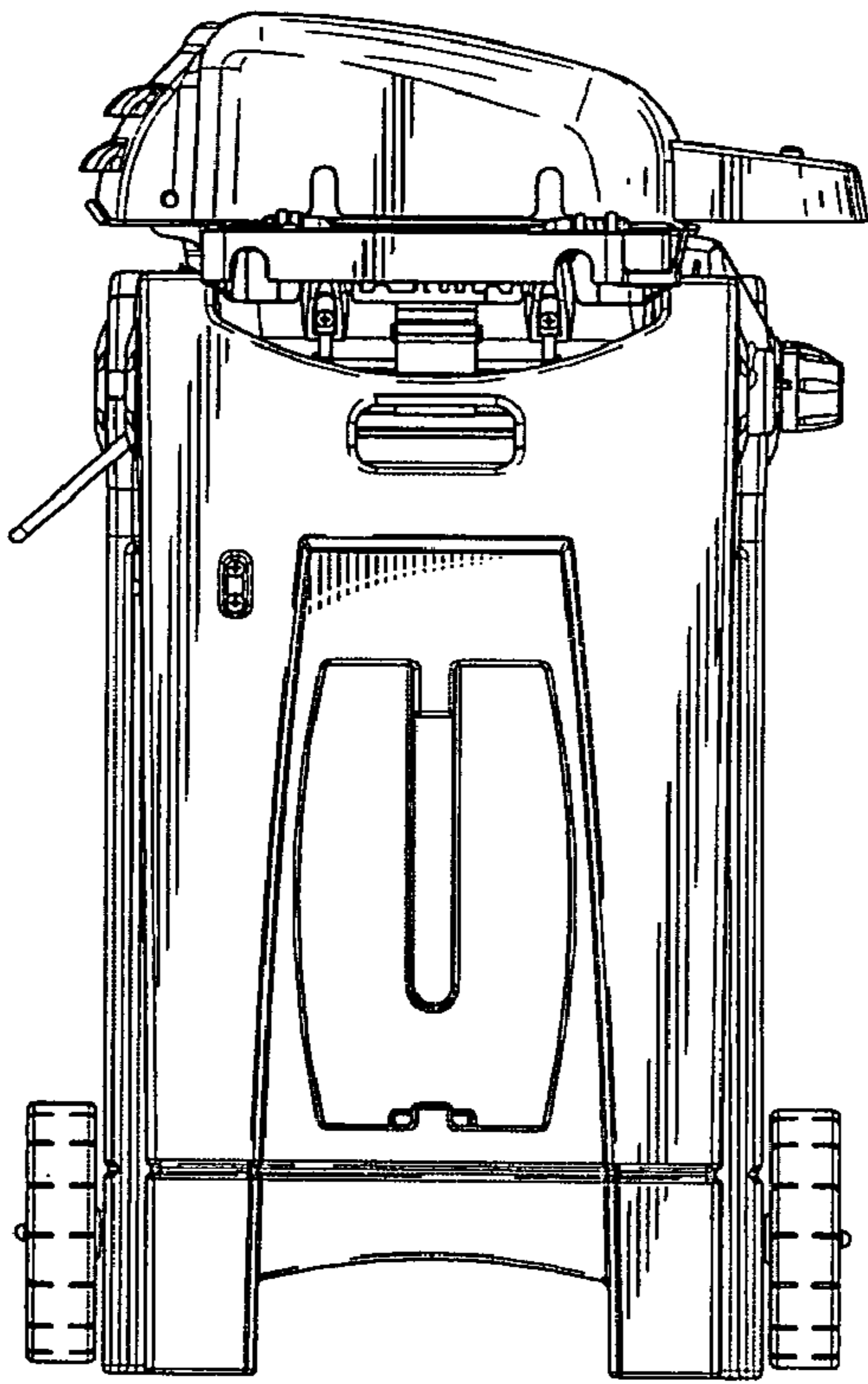
*Fig. 1*



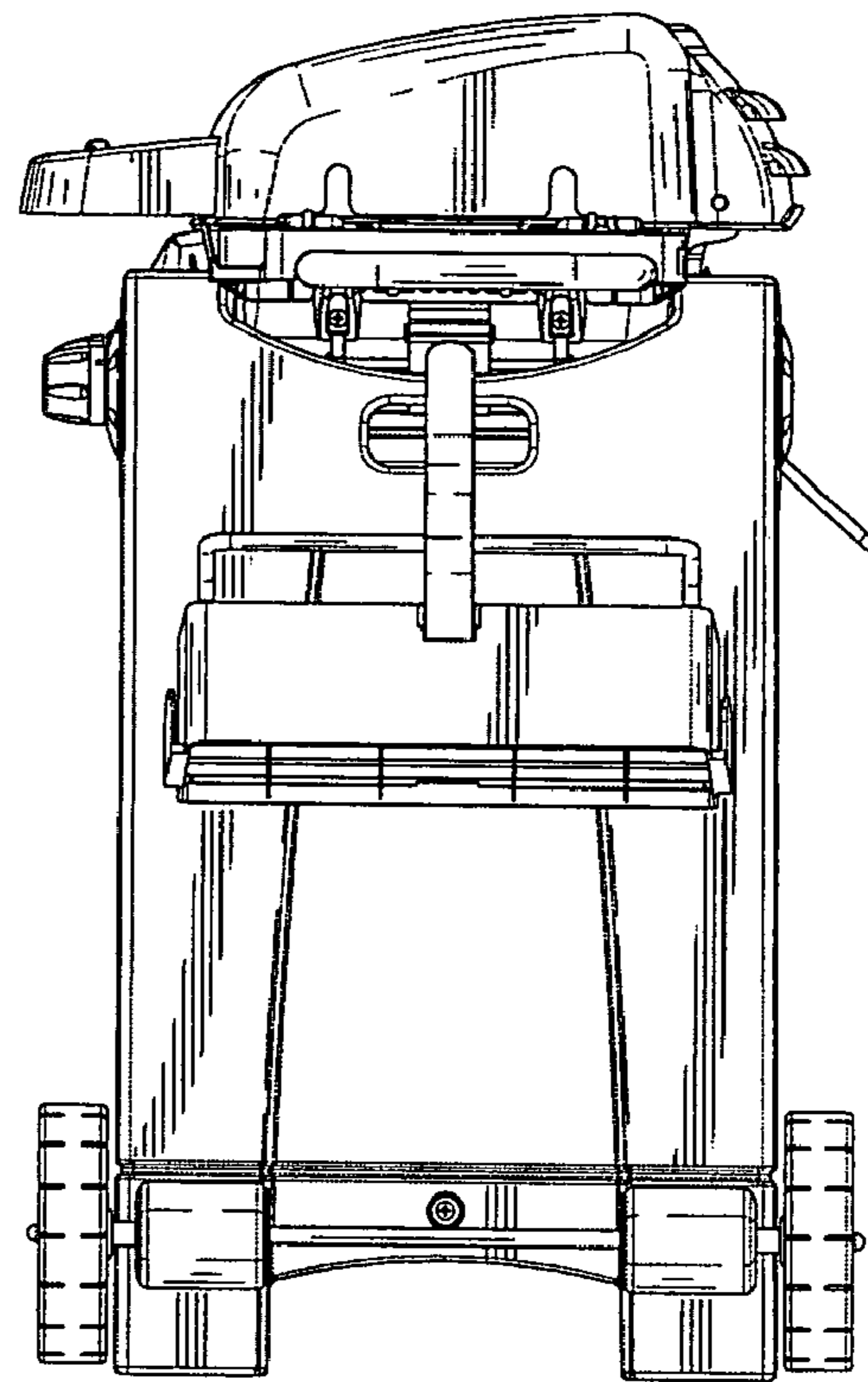
*Fig. 2*



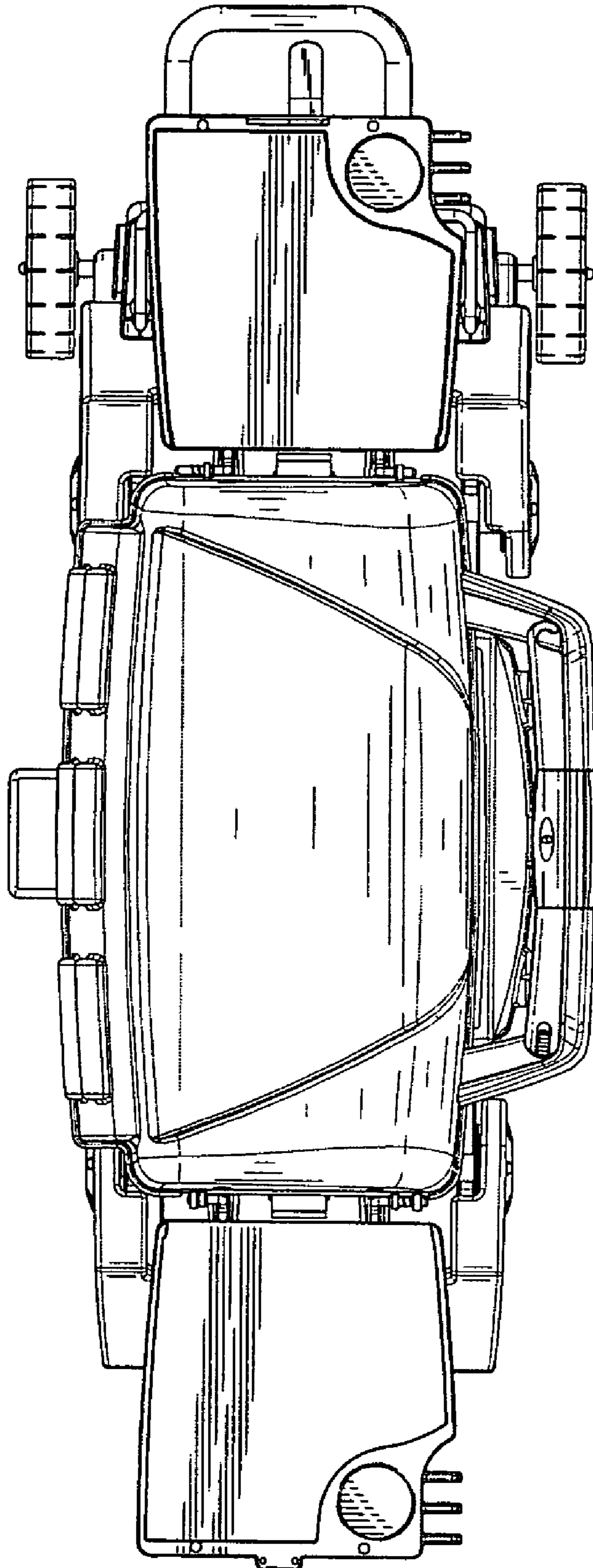
*Fig. 3*



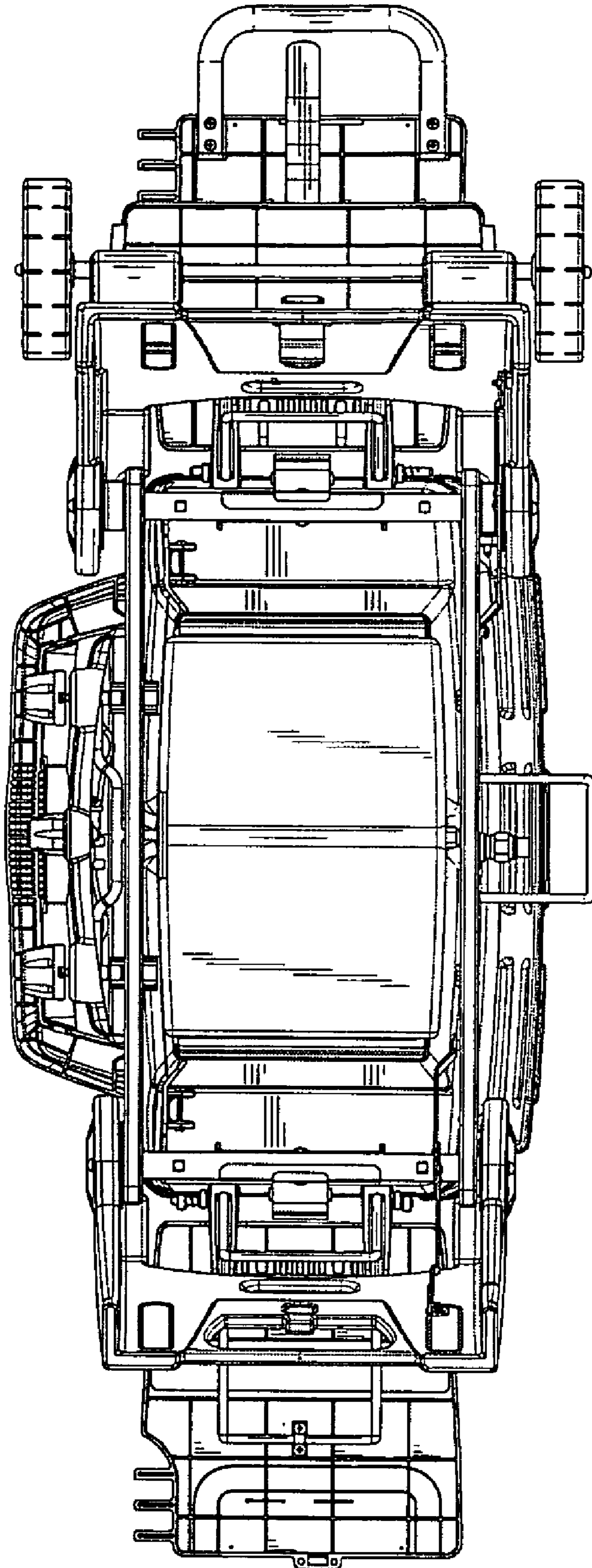
*Fig. 4*



*Fig. 5*



*Fig. 6*



**Fig. 7**