

US00D562618S

(12) **United States Design Patent**
Bodum

(10) **Patent No.:** **US D562,618 S**

(45) **Date of Patent:** **** Feb. 26, 2008**

(54) **TOASTER**

(75) Inventor: **Jørgen Bodum**, Meggen (CH)

(73) Assignee: **Pi-Design AG**, Triengen (CH)

(**) Term: **14 Years**

(21) Appl. No.: **29/282,716**

(22) Filed: **Jul. 27, 2007**

(30) **Foreign Application Priority Data**

Jan. 30, 2007 (DK) DA 2007 00016

(51) **LOC (8) Cl.** **07-02**

(52) **U.S. Cl.** **D7/330**

(58) **Field of Classification Search** D7/323,
D7/328-333, 385, 390, 340, 341, 346, 354-365,
D7/367, 402, 405-411; D13/158, 162, 162.1,
D13/163; D23/335, 337; 99/331, 332, 357,
99/375, 385; 219/214, 388, 405, 443.1, 450.1,
219/492

See application file for complete search history.

(56) **References Cited**

U.S. PATENT DOCUMENTS

D232,210 S * 7/1974 Hentschel D7/330
D286,673 S * 11/1986 Kahn D23/337

D505,487 S * 5/2005 Blateri D23/335
D514,869 S * 2/2006 Currie D7/330
D518,563 S * 4/2006 Blateri D23/335
D525,475 S * 7/2006 Yeung D7/330
D550,339 S * 9/2007 Bucher et al. D23/335

* cited by examiner

Primary Examiner—Caron D. Veynar

Assistant Examiner—Ricky Pham

(74) *Attorney, Agent, or Firm*—Cowan, Liebowitz & Latman, PC

(57) **CLAIM**

The ornamental design for a toaster, as shown.

DESCRIPTION

FIG. 1 is a perspective view of the toaster showing my new design;

FIG. 2 is a front view thereof;

FIG. 3 is a back view thereof;

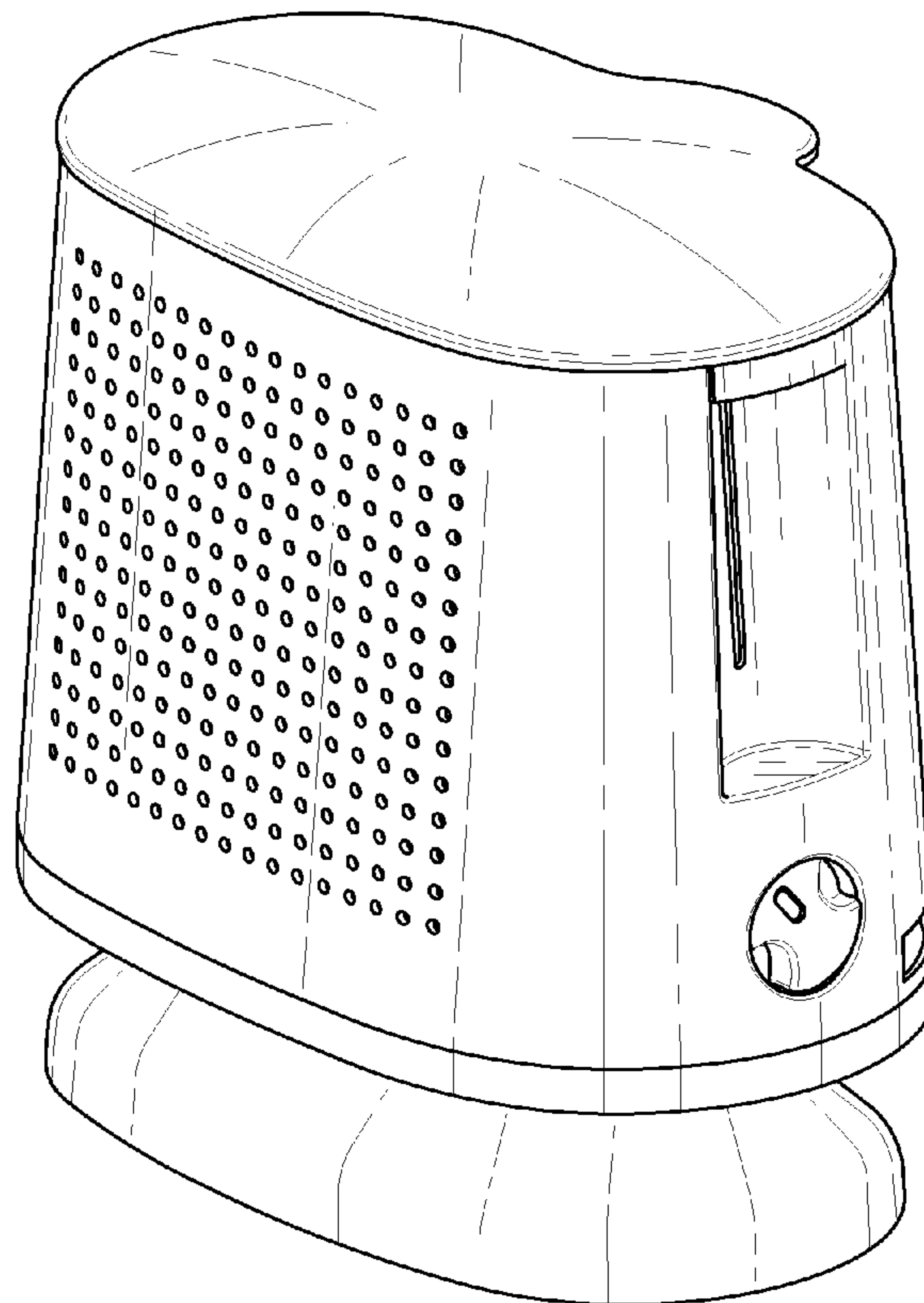
FIG. 4 is a right side view thereof;

FIG. 5 is a left side view thereof;

FIG. 6 is a top view thereof; and,

FIG. 7 is a bottom view thereof.

1 Claim, 7 Drawing Sheets



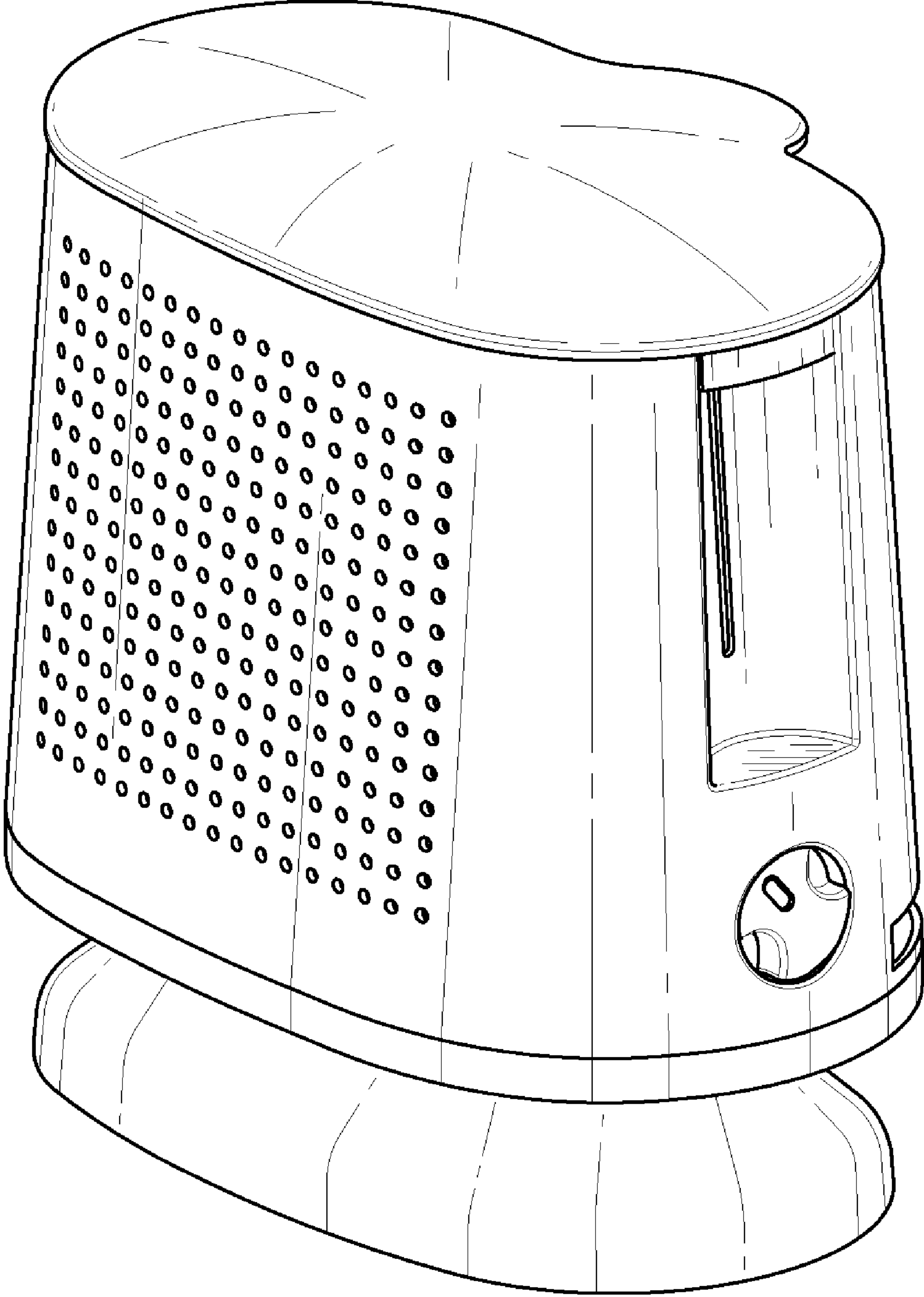


FIG. 1

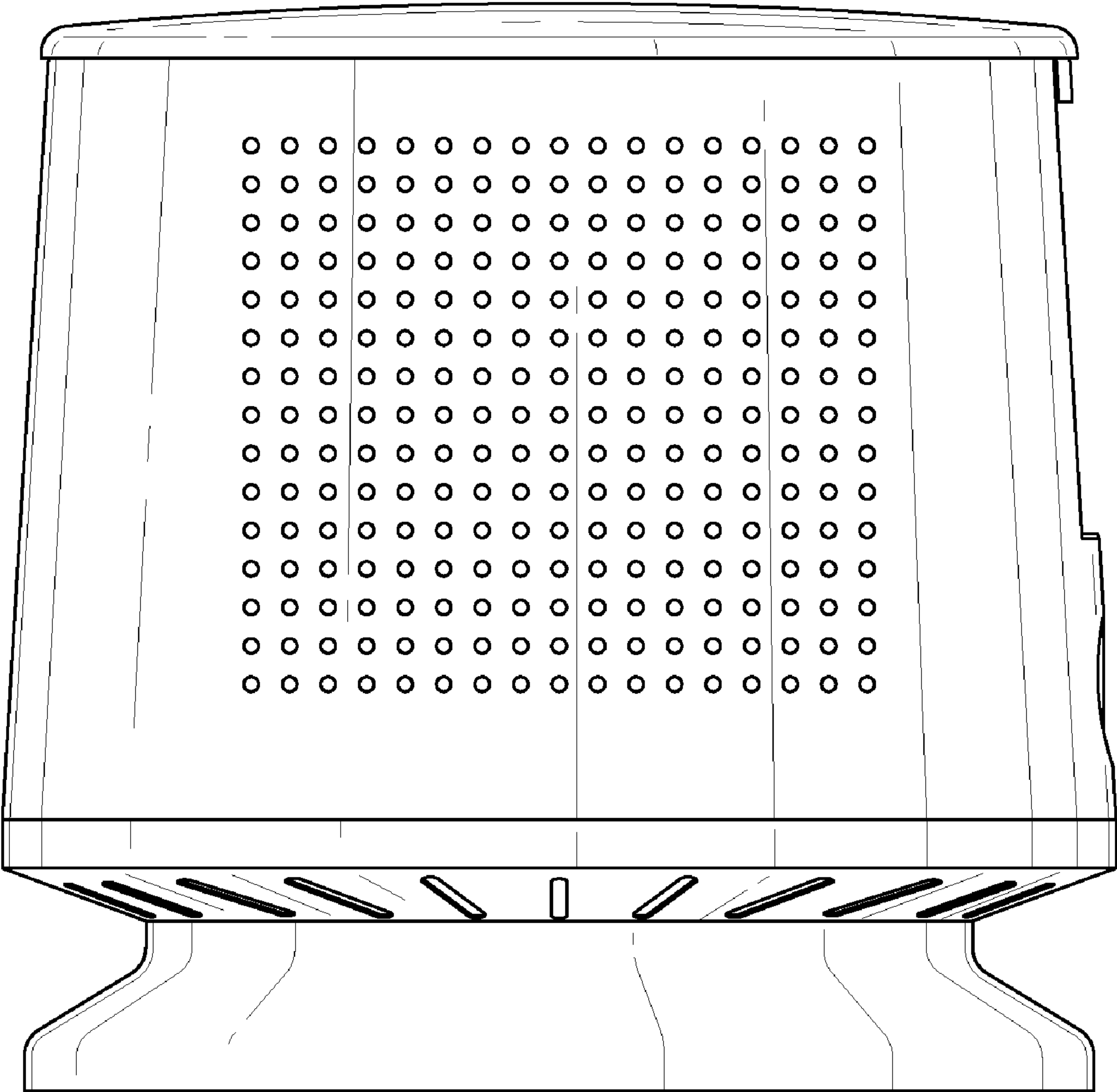


FIG. 2

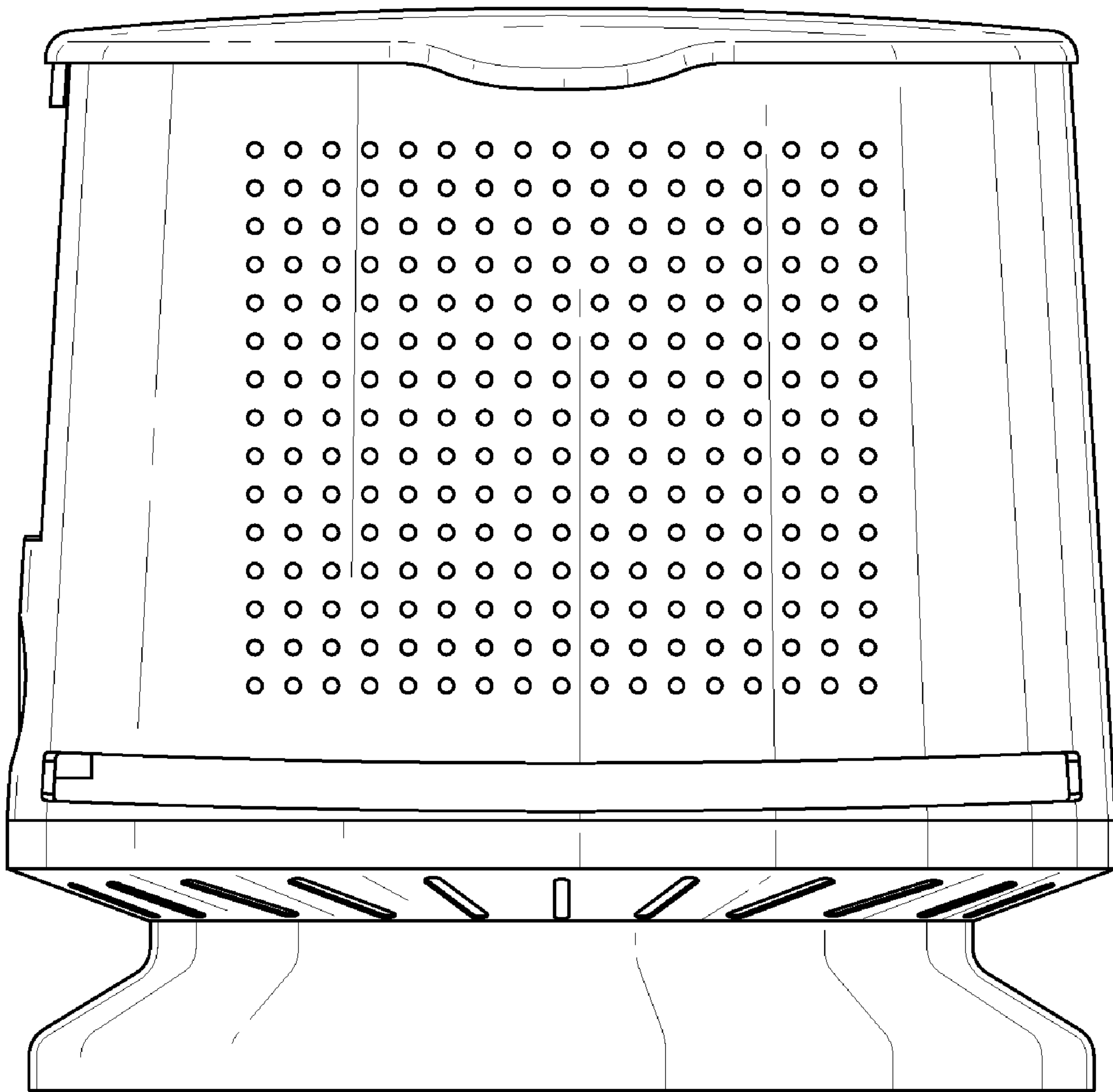


FIG. 3

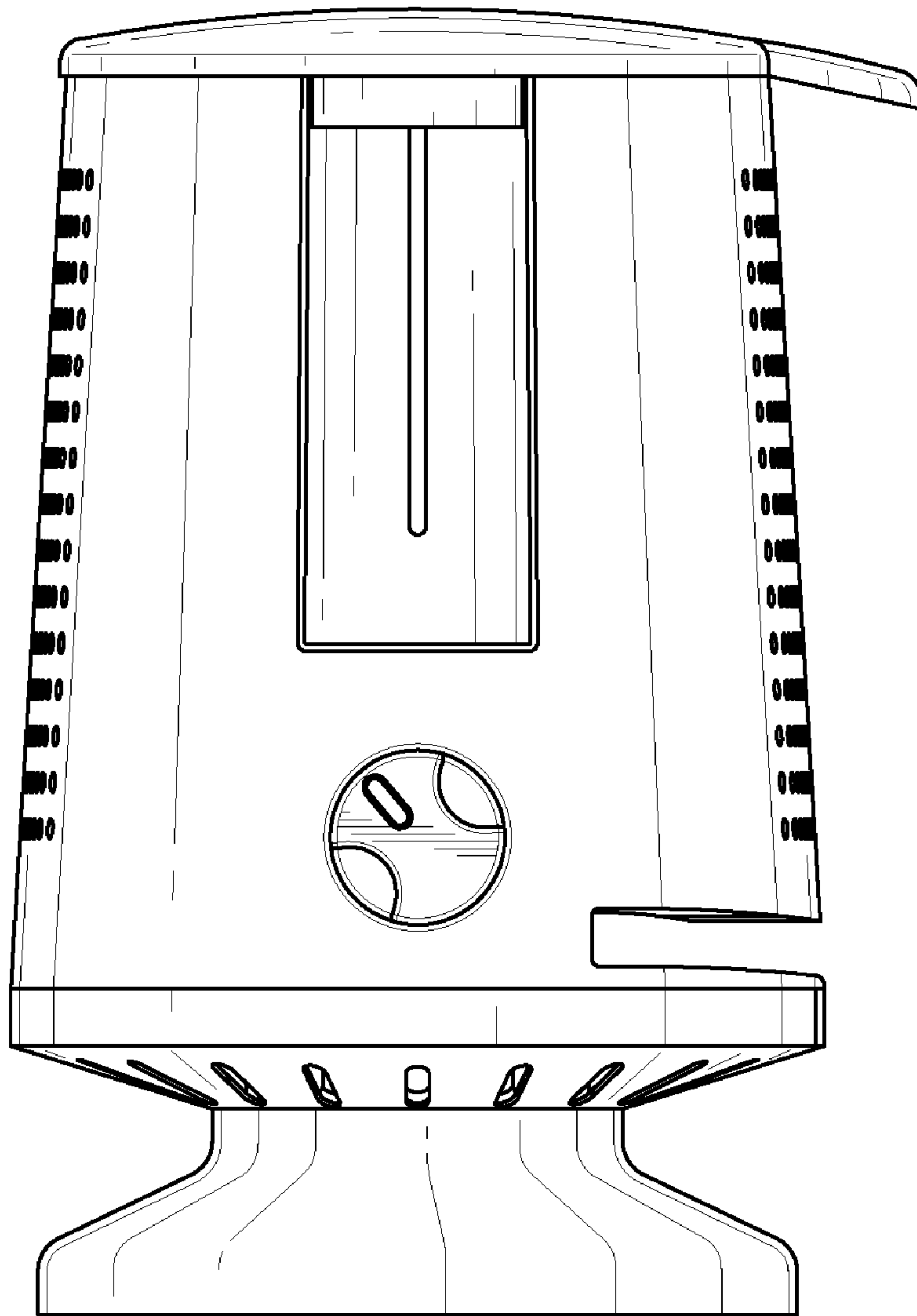


FIG. 4

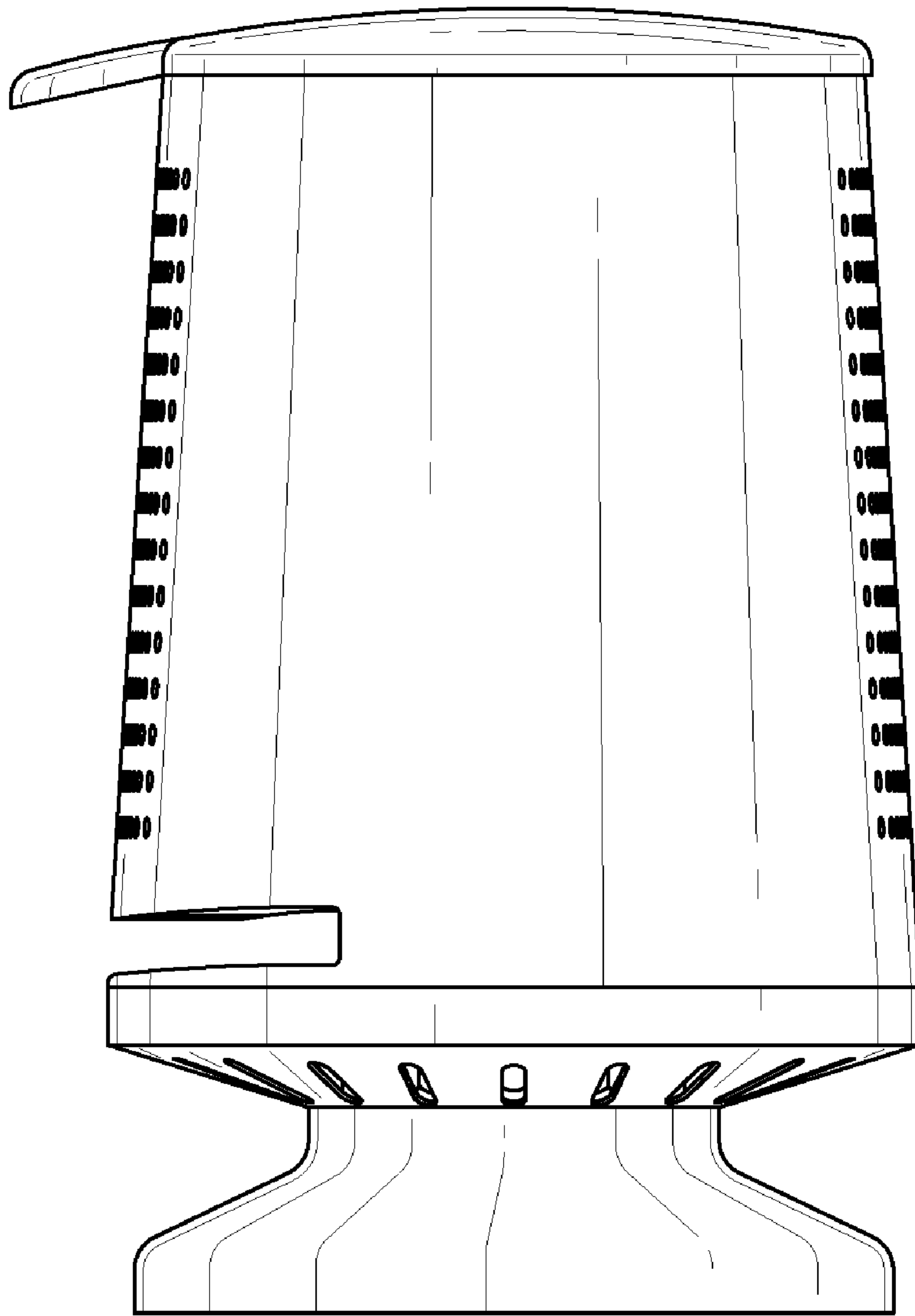


FIG. 5

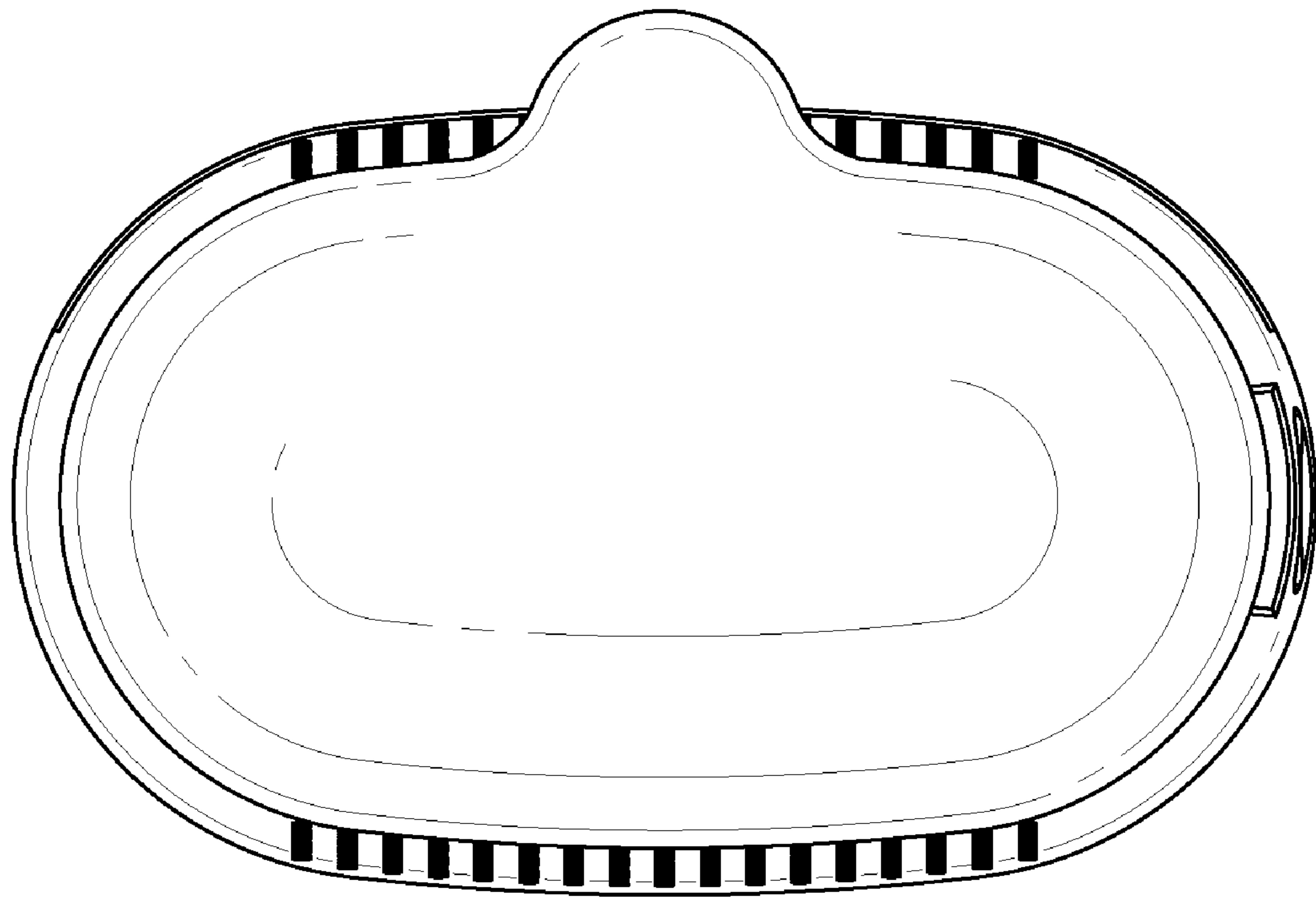


FIG. 6

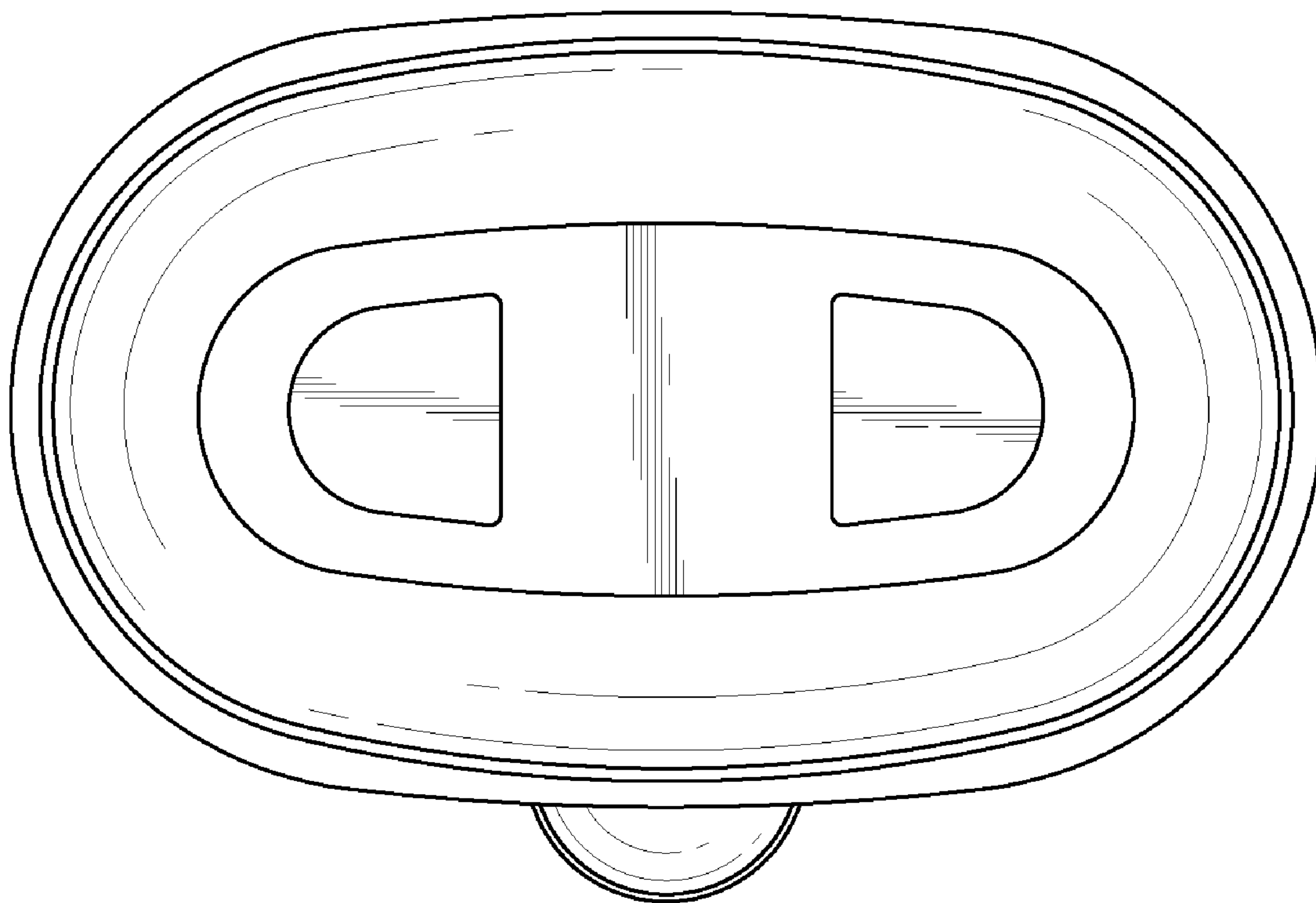


FIG. 7