



US00D562617S

(12) **United States Design Patent**  
**Liebe**

(10) **Patent No.:** **US D562,617 S**

(45) **Date of Patent:** **\*\* Feb. 26, 2008**

(54) **COFFEE MACHINE**

(75) Inventor: **Thomas Liebe**, Thun (CH)

(73) Assignee: **M. Schaerer AG**, Moosedorf (CH)

(\*\*) Term: **14 Years**

(21) Appl. No.: **29/264,857**

(22) Filed: **Aug. 18, 2006**

(30) **Foreign Application Priority Data**

Feb. 20, 2006 (CH) ..... 132601

(51) **LOC (8) Cl.** ..... **07-01**

(52) **U.S. Cl.** ..... **D7/309; D7/311**

(58) **Field of Classification Search** ..... D7/309–311,  
D7/305–308, 300; 99/294, 288, 280, 295,  
99/323.2; 222/146.6, 129.3

See application file for complete search history.

(56) **References Cited**

**U.S. PATENT DOCUMENTS**

D192,344 S *	3/1962	Hrabe .....	D7/308
D298,401 S *	11/1988	Frech .....	D7/308
D298,504 S *	11/1988	Frech .....	D7/308
D309,842 S *	8/1990	Frech .....	D7/308
D332,199 S *	1/1993	Pomeroy .....	D7/309
D334,863 S *	4/1993	Phillips et al. ....	D7/308
D346,717 S *	5/1994	Geiger .....	D7/309
D365,490 S *	12/1995	Pomeroy .....	D7/309

D390,058 S *	2/1998	Landers .....	D7/307
D396,987 S *	8/1998	Seiffert .....	D7/309
D413,757 S *	9/1999	Viguer Munoz .....	D7/309
D417,118 S *	11/1999	Pomeroy .....	D7/306
D445,292 S *	7/2001	Sowden .....	D7/309
D455,596 S *	4/2002	Boos .....	D7/309
D502,354 S *	3/2005	Bruttin .....	D7/309
D505,821 S *	6/2005	Liebe et al. ....	D7/305
D520,300 S *	5/2006	Bruttin .....	D7/309
D552,915 S *	10/2007	Yeh .....	D7/309

\* cited by examiner

*Primary Examiner*—Marianne Pandozzi

(74) *Attorney, Agent, or Firm*—Abelman, Frayne & Schwab

(57) **CLAIM**

The ornamental design for a coffee machine, as shown and described.

**DESCRIPTION**

FIG. 1 is a perspective view of a coffee machine according to my new design;

FIG. 2 is a front view of the coffee machine;

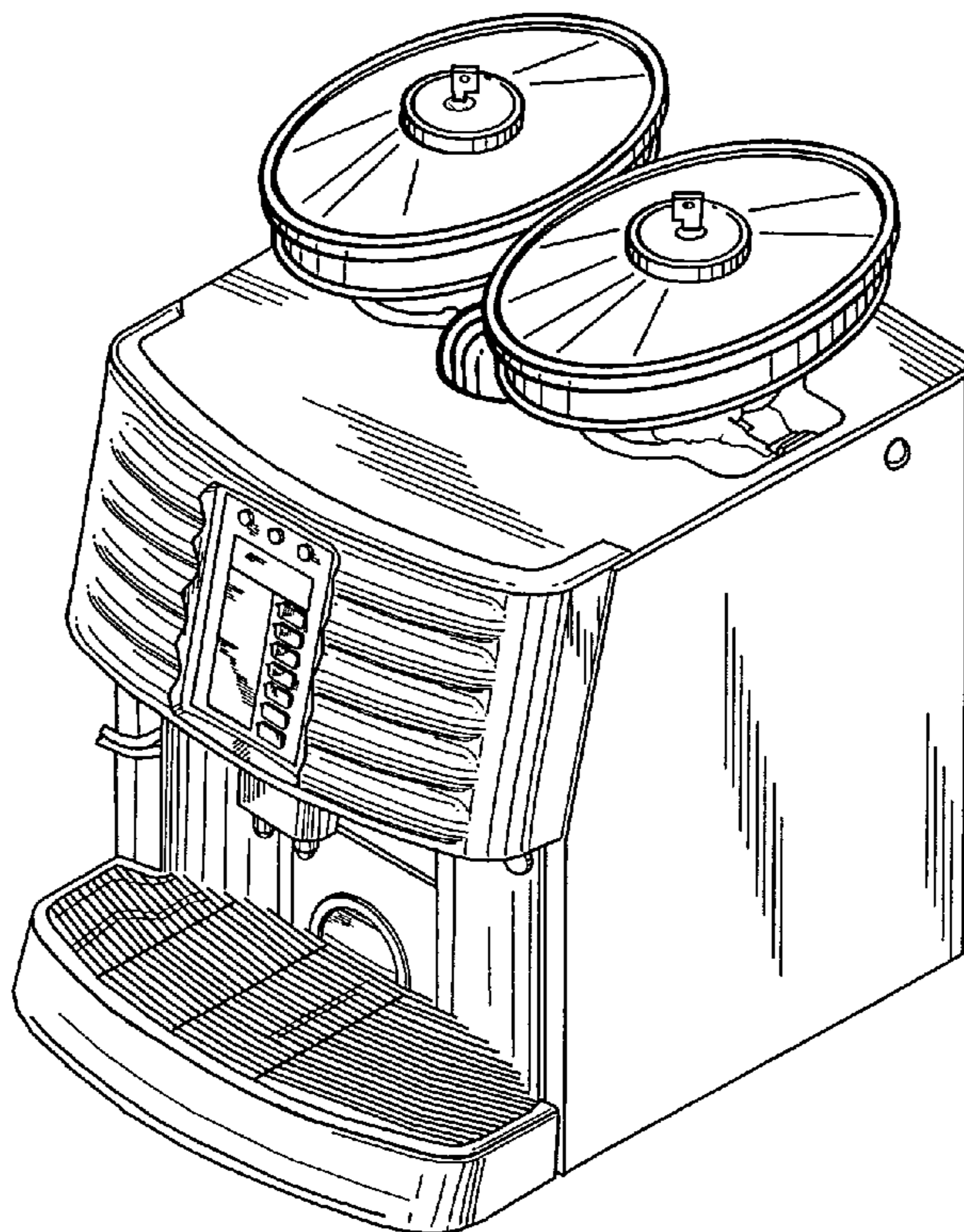
FIG. 3 is a left side view of the coffee machine;

FIG. 4 is a right side view of the coffee machine;

FIG. 5 is a rear view of the coffee machine; and,

FIG. 6 is a top plan view thereof.

**1 Claim, 6 Drawing Sheets**



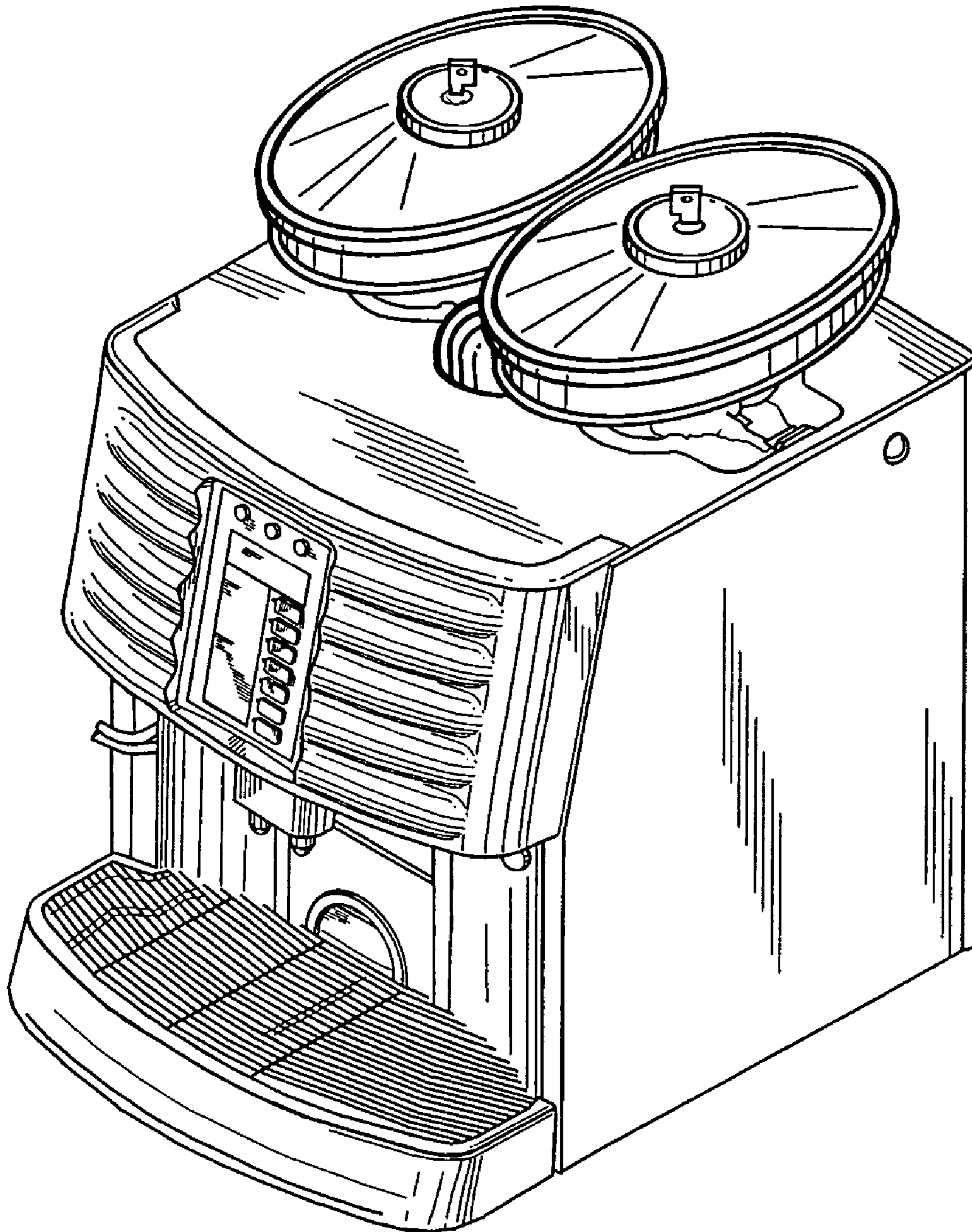


FIG. 1

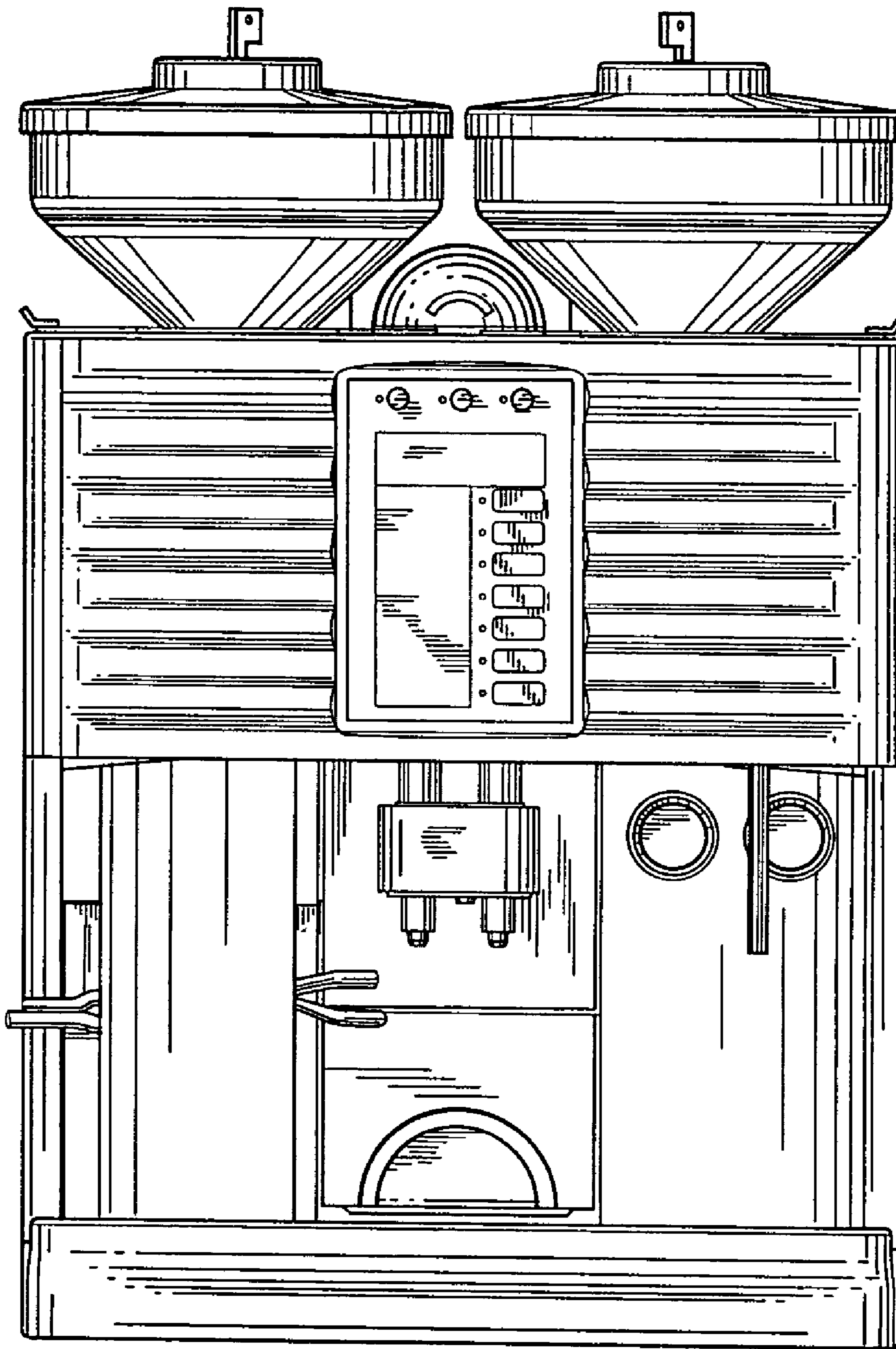


FIG.2



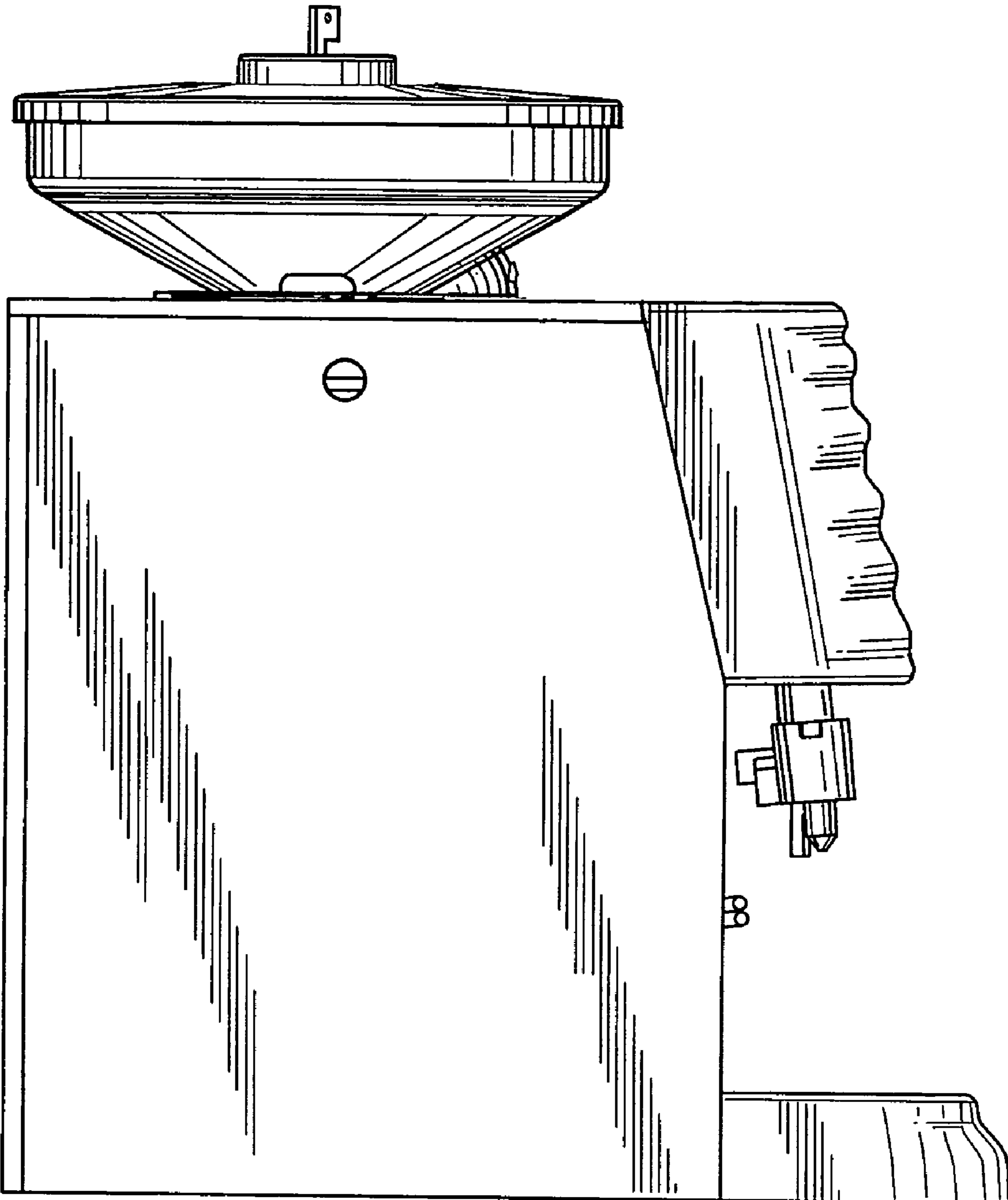


FIG.3

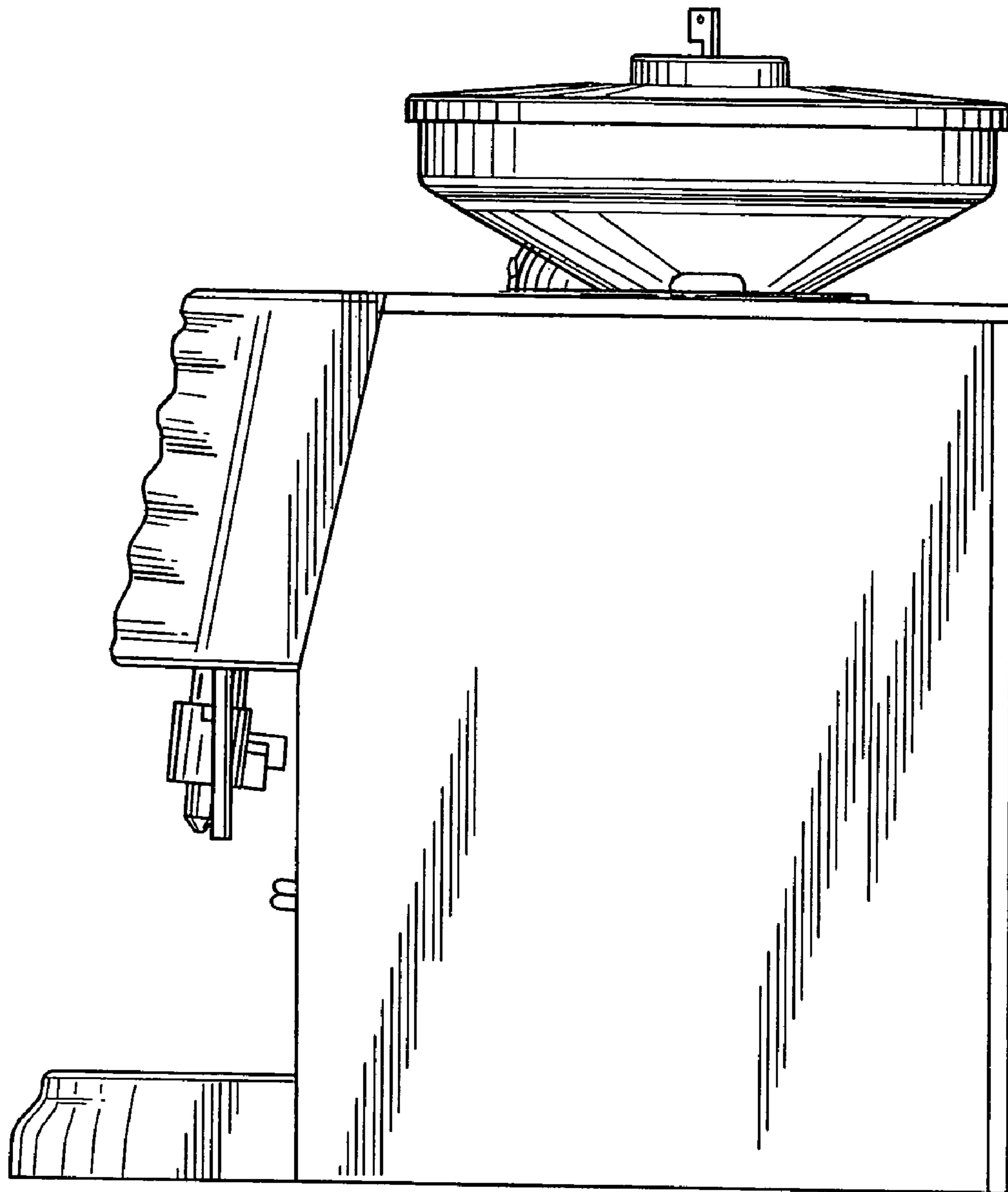


FIG.4

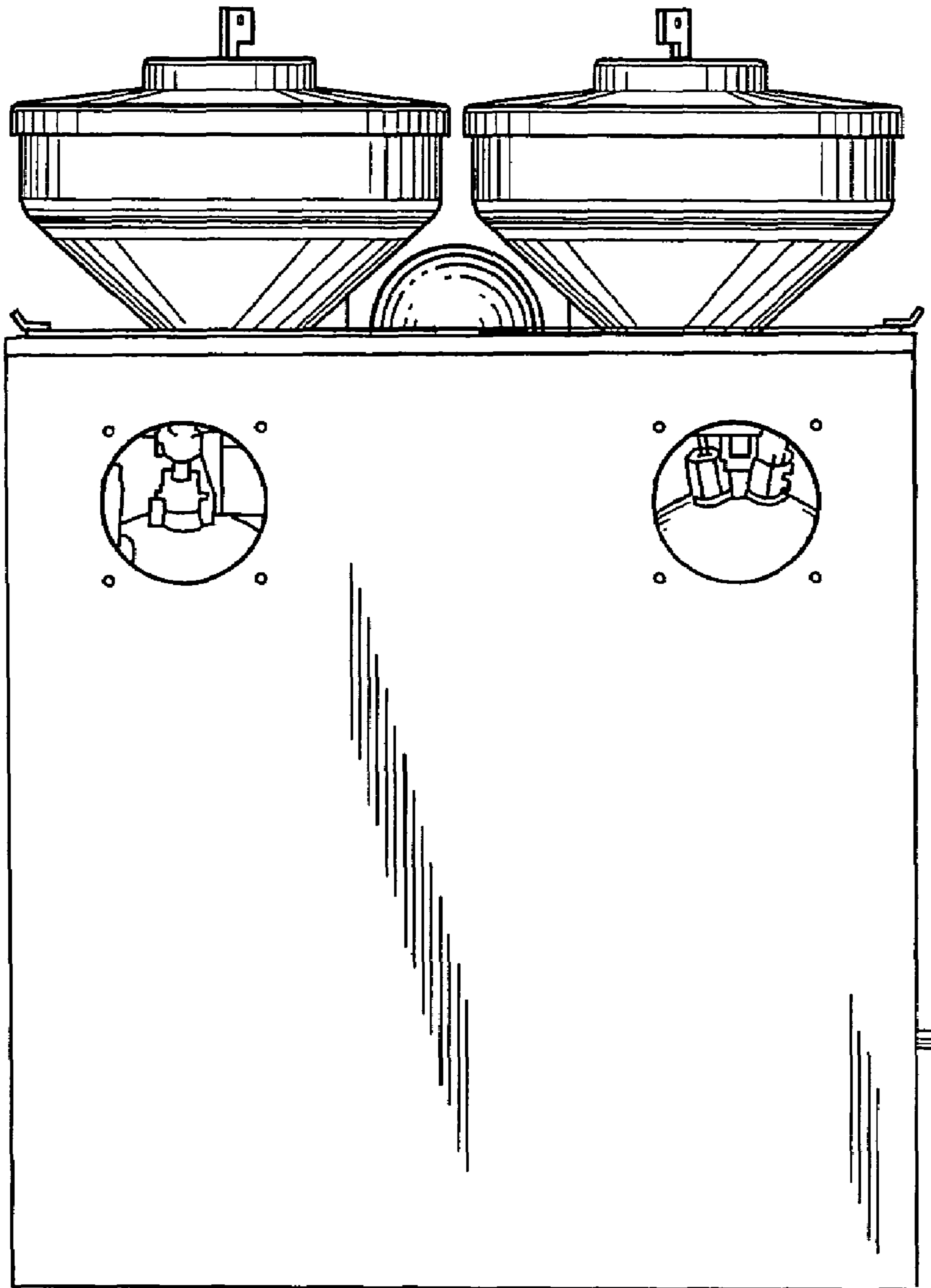


FIG.5

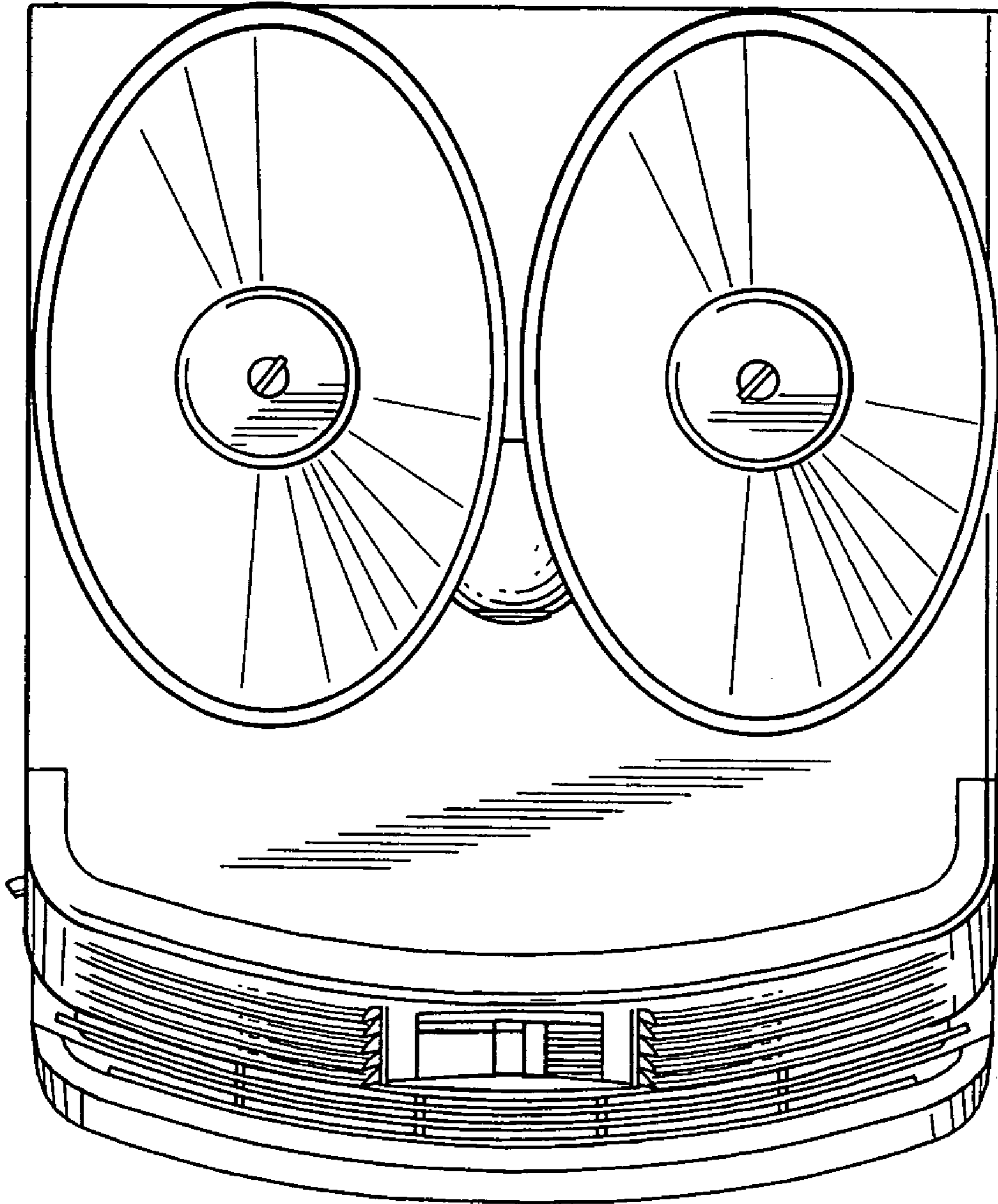


FIG.6