

US00D562616S

(12) **United States Design Patent**
Tonelli

(10) **Patent No.:** **US D562,616 S**

(45) **Date of Patent:** **** Feb. 26, 2008**

(54) **DRINK MAKING MACHINE**

(75) Inventor: **Stefano Tonelli**, Gaggio Montano (IT)

(73) Assignee: **Seaco IPR Limited**, Dublin (IE)

(**) Term: **14 Years**

(21) Appl. No.: **29/259,487**

(22) Filed: **May 9, 2006**

(30) **Foreign Application Priority Data**

Nov. 10, 2005 (EM) 000428834-0004

(51) **LOC (8) Cl.** **07-01**

(52) **U.S. Cl.** **D7/306; D7/309; D7/311**

(58) **Field of Classification Search** D7/309-311,
D7/306-308, 300, 305; 99/289 R, 295, 282,
99/304; 222/129.1, 129.2, 129.3, 129.4
See application file for complete search history.

(56) **References Cited**

U.S. PATENT DOCUMENTS

D414,371 S *	9/1999	Seiffert	D7/309
D431,748 S *	10/2000	Cahen	D7/309
D445,292 S *	7/2001	Sowden	D7/309
D449,199 S *	10/2001	Cahen	D7/309
D486,346 S *	2/2004	Jonsson	D7/309

D510,675 S *	10/2005	Ball	D7/306
D523,279 S *	6/2006	Zemp	D7/309
D526,524 S *	8/2006	Jordana	D7/309
D526,828 S *	8/2006	Jordana	D7/309
D536,917 S *	2/2007	McWilliam	D7/309
D538,578 S *	3/2007	McWilliam	D7/309
D543,771 S *	6/2007	Julemont	D7/309

* cited by examiner

Primary Examiner—Marianne Pandozzi

(74) *Attorney, Agent, or Firm*—Abelman, Frayne & Schwab

(57) **CLAIM**

The ornamental design for a drink making machine, as shown and described.

DESCRIPTION

FIG. 1 is a front view of a drink making machine, showing my new design;

FIG. 2 is a front, side perspective view thereof;

FIG. 3 is a rear, side perspective view thereof;

FIG. 4 is a rear view thereof;

FIG. 5 is a top plan view thereof;

FIG. 6 is a left side view thereof; and,

FIG. 7 is a right side view thereof.

1 Claim, 7 Drawing Sheets

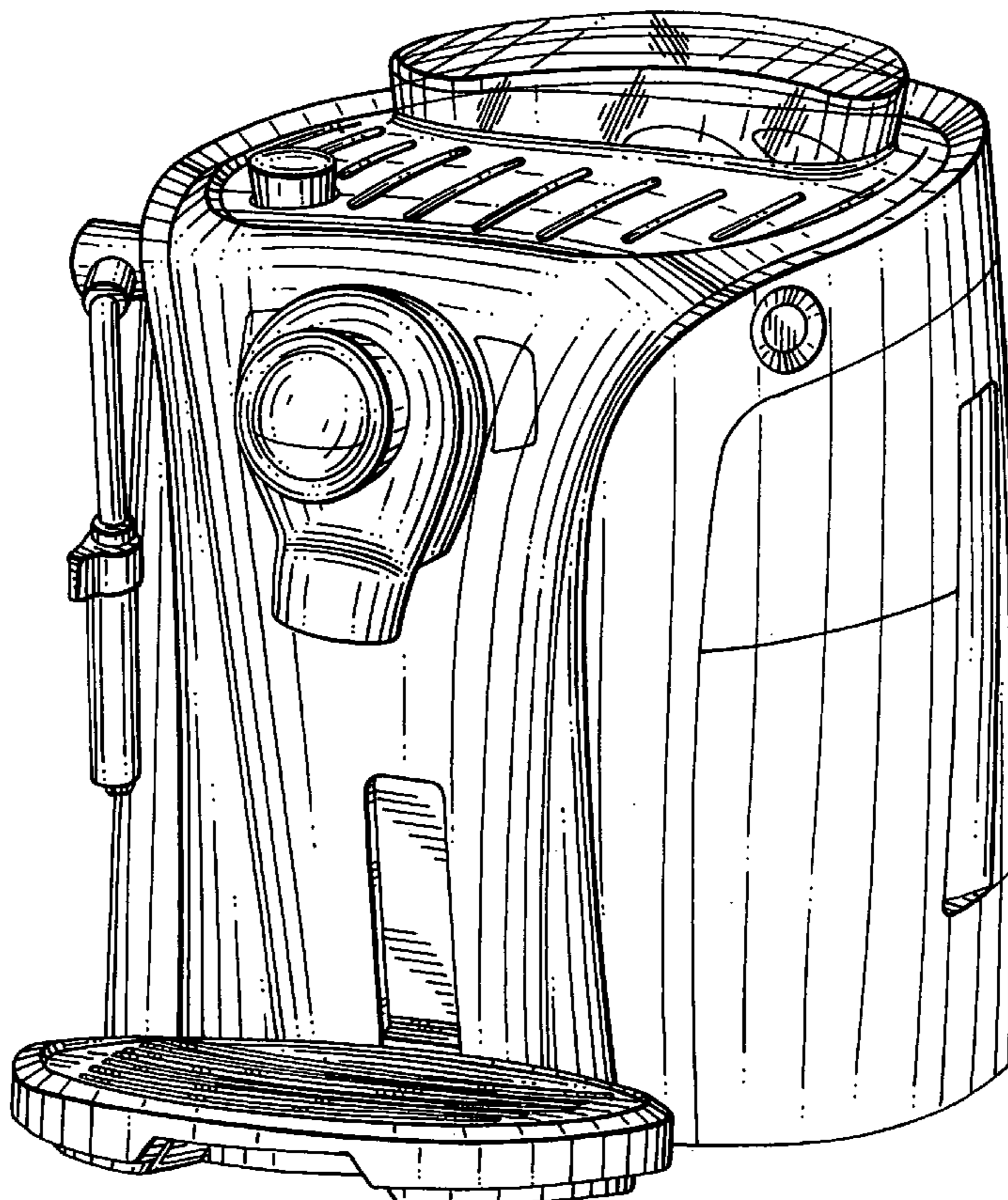
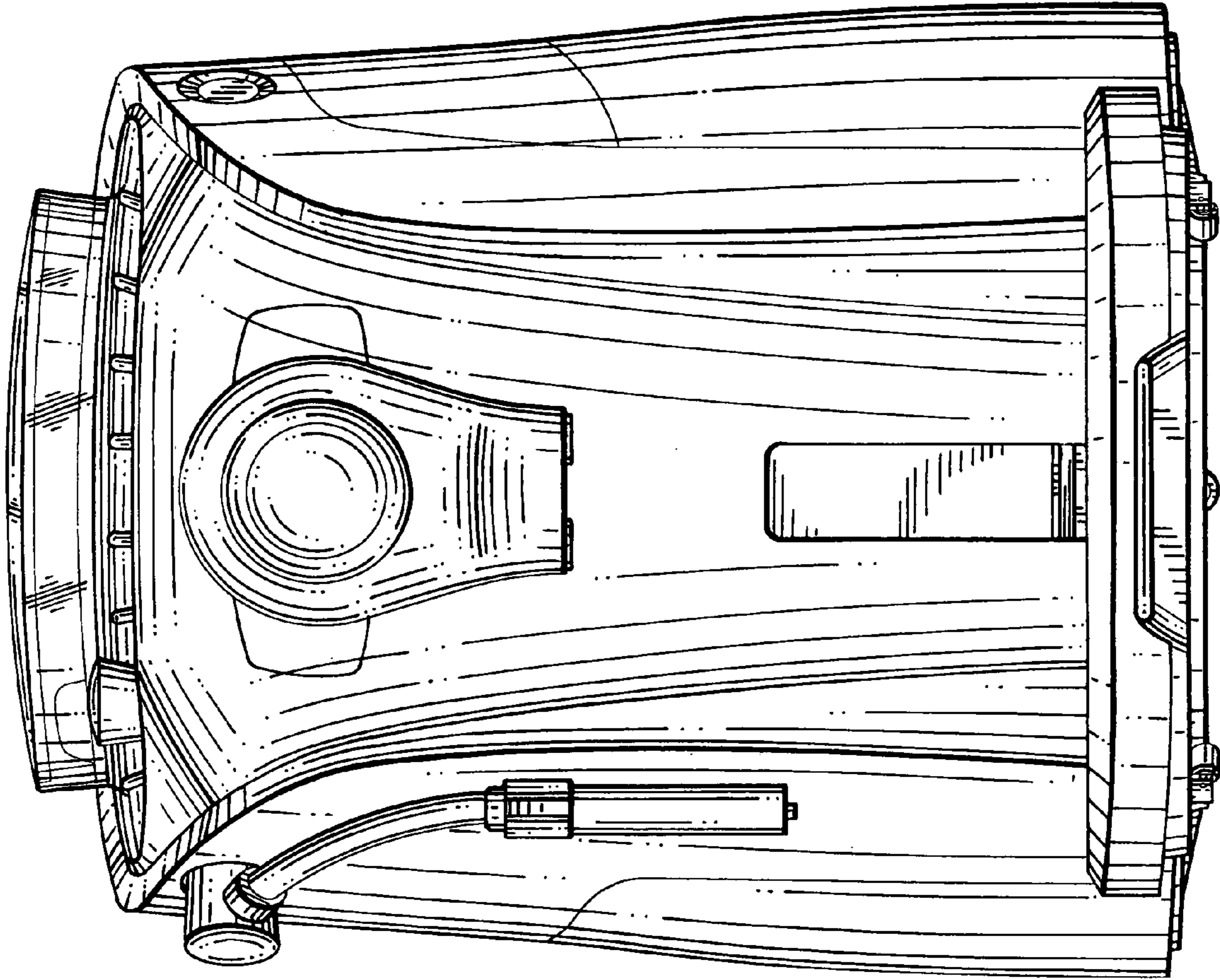


FIG. 1



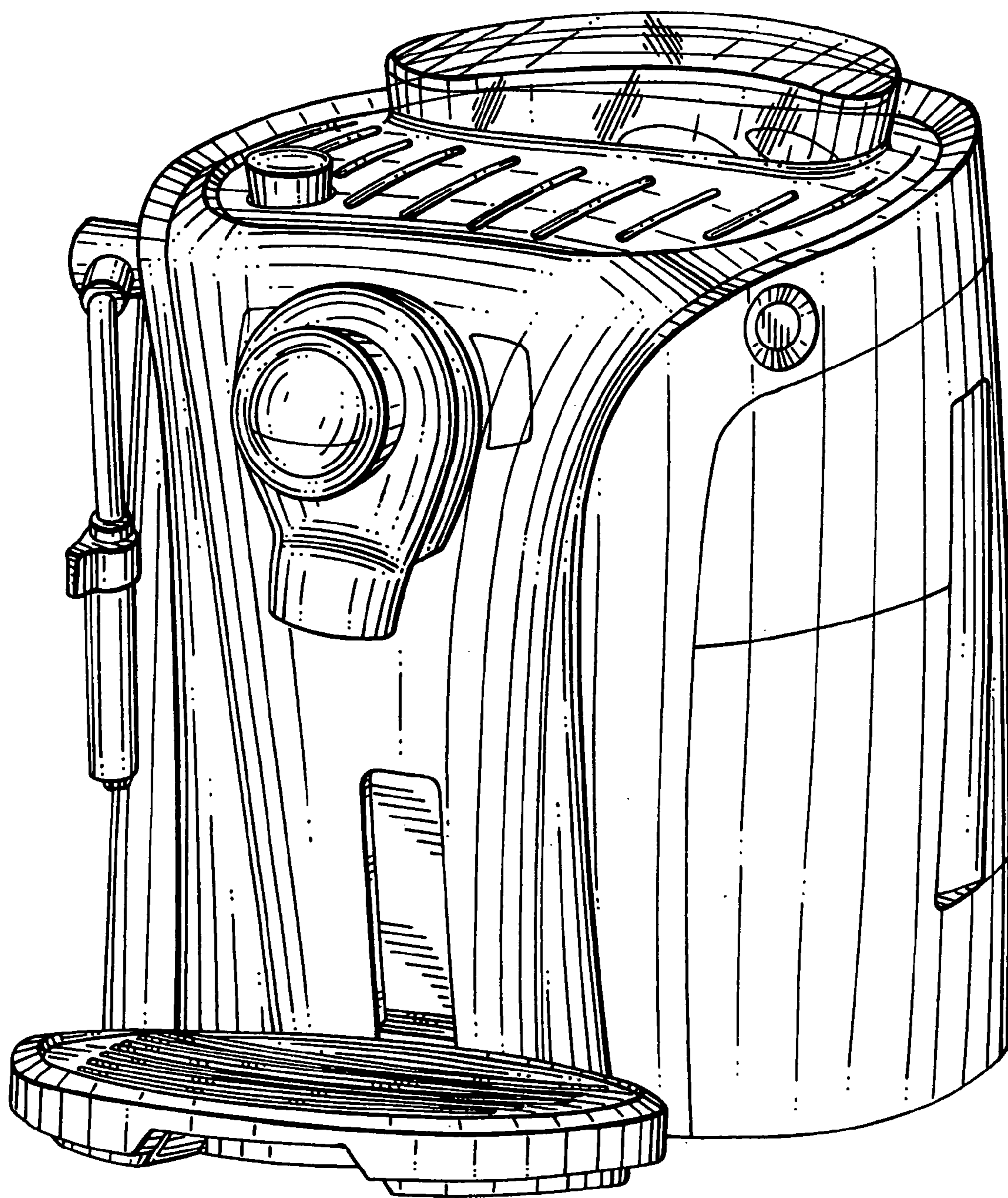


FIG. 2

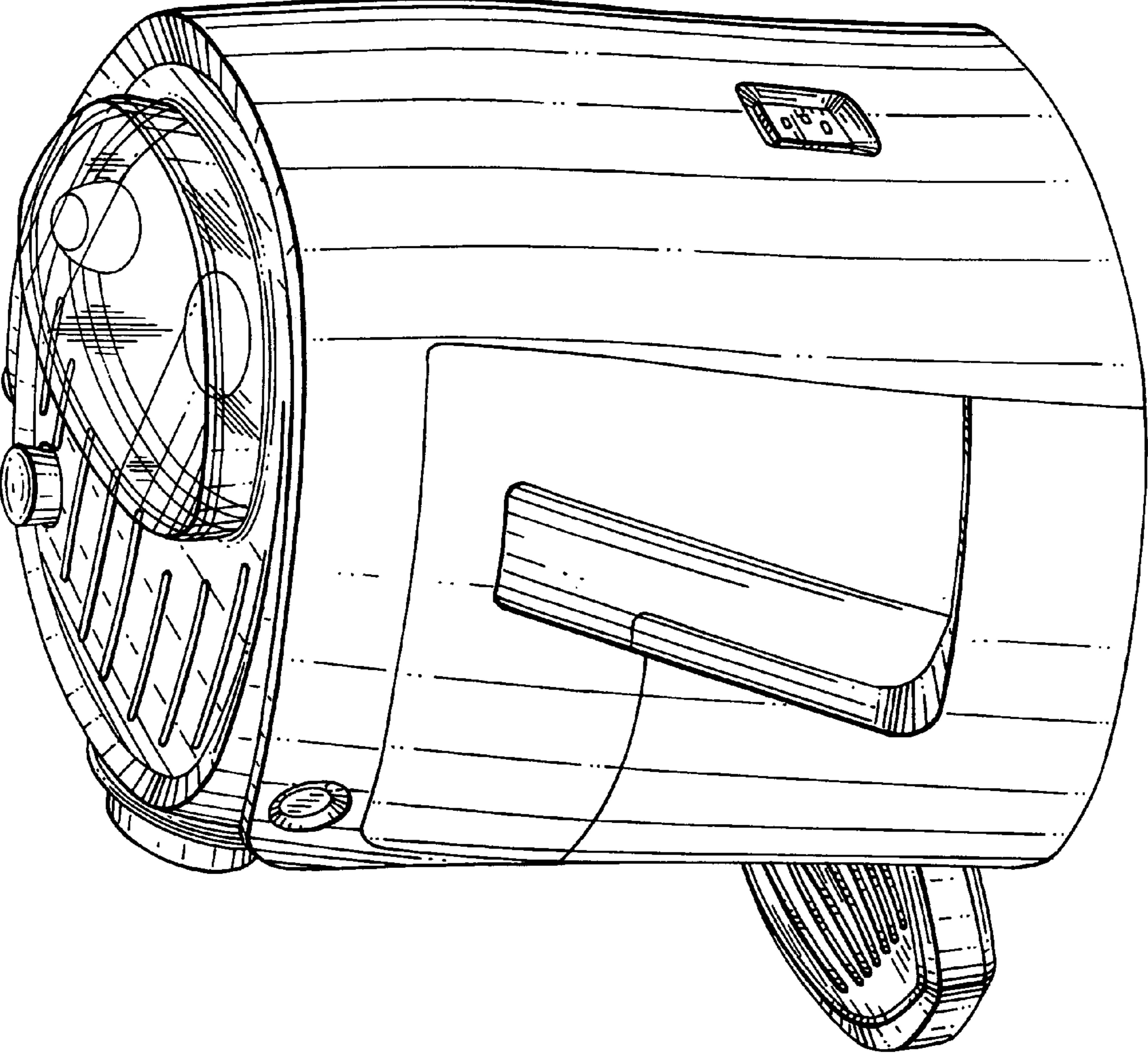


FIG. 3

FIG. 4

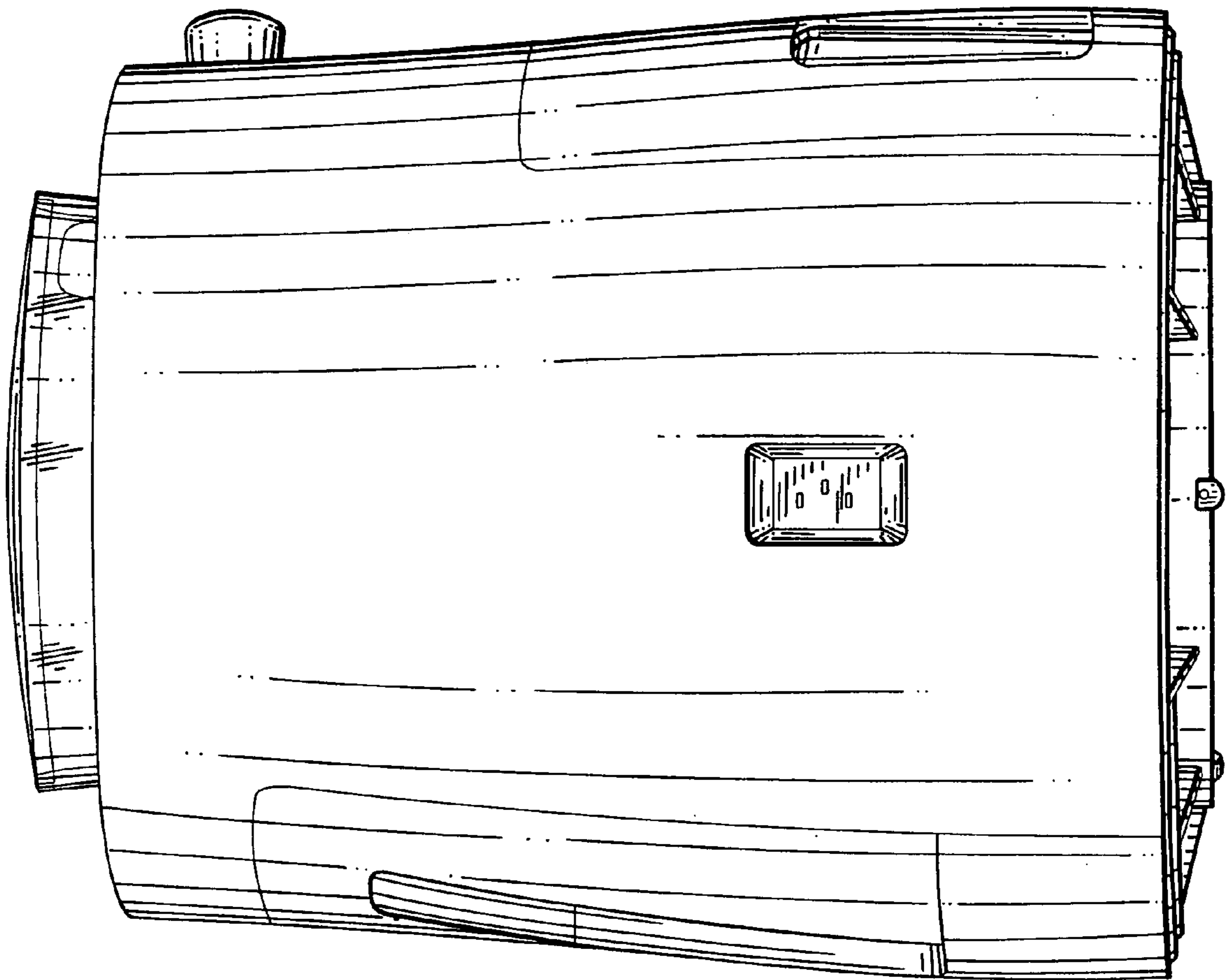


FIG. 5

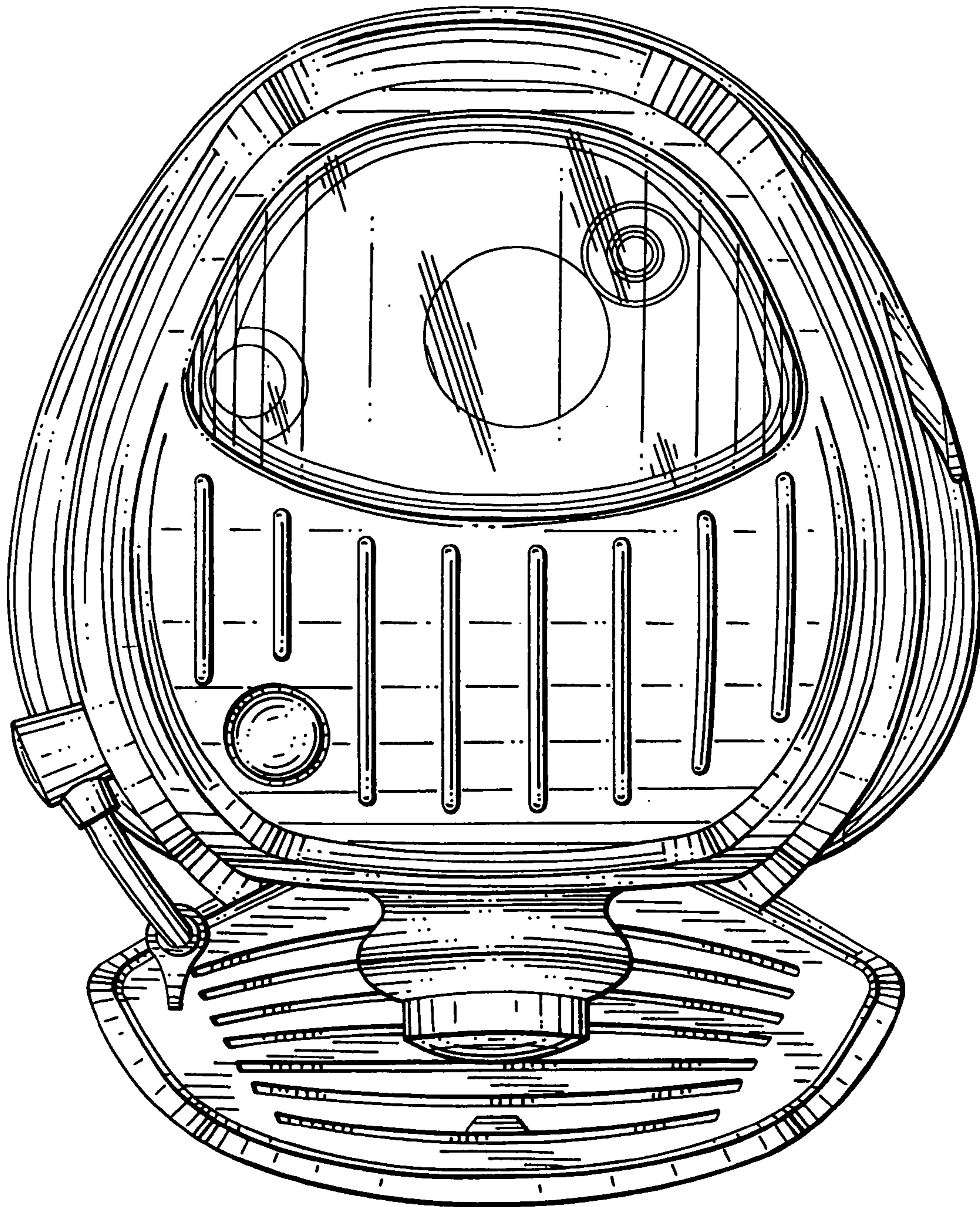
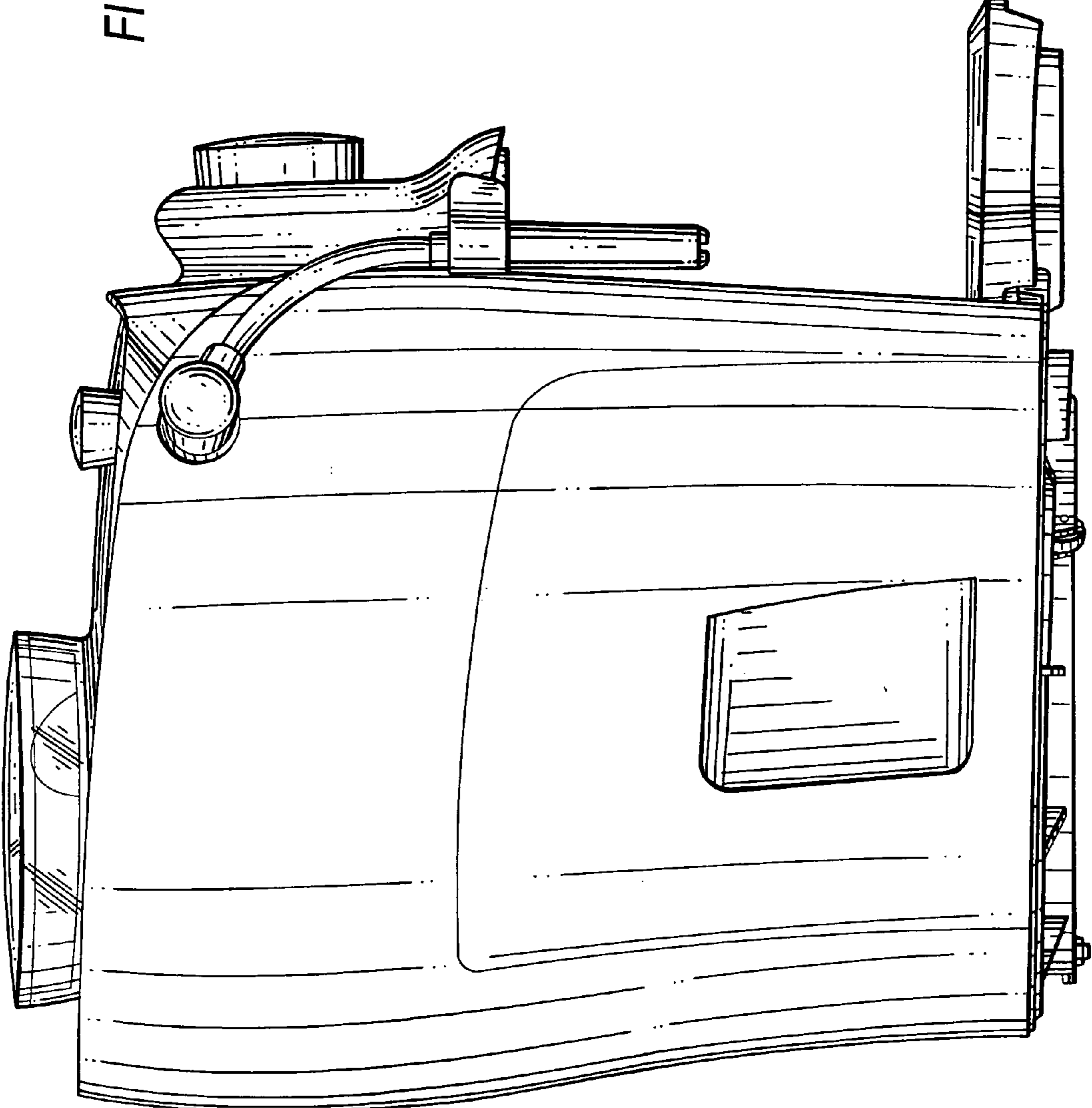


FIG. 6



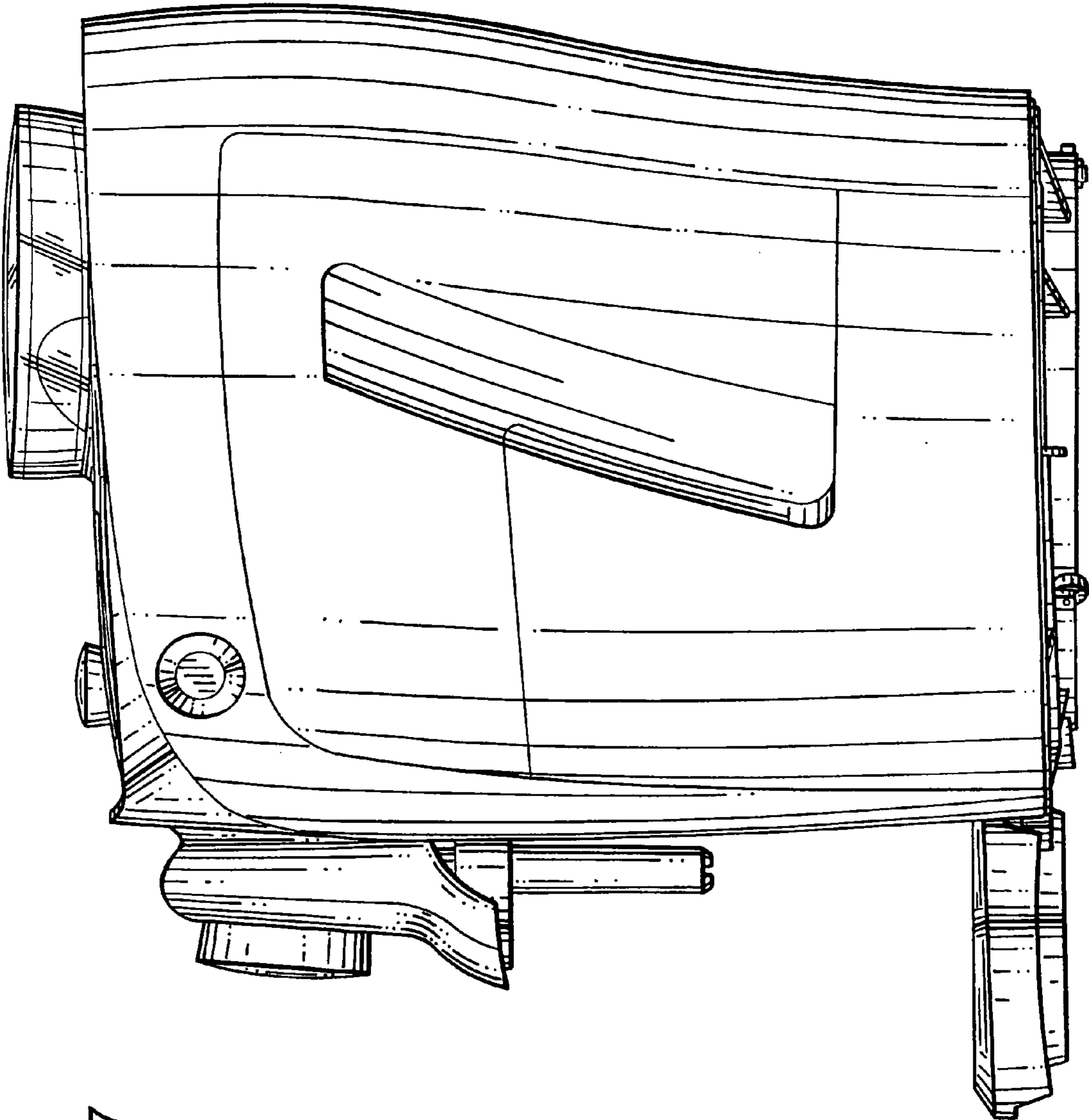


FIG. 7