

US00D562610S

(12) **United States Design Patent**
Harmston

(10) **Patent No.:** **US D562,610 S**

(45) **Date of Patent:** **** Feb. 26, 2008**

(54) **BOW HANGER**

(76) **Inventor:** **Terry Harmston**, 30378 Flamingo St.
NW., Isanti, MN (US) 55040

(**) **Term:** **14 Years**

(21) **Appl. No.:** **29/249,520**

(22) **Filed:** **Oct. 10, 2006**

(51) **LOC (8) Cl.** **08-08**

(52) **U.S. Cl.** **D6/552**

(58) **Field of Classification Search** D6/552;
248/309.1; 206/315.1, 315.11; 211/13.1,
211/86.01, 87.01, 88.01, 85.7

See application file for complete search history.

(56) **References Cited**

U.S. PATENT DOCUMENTS

D310,479 S *	9/1990	Speetzen	D6/552
D417,353 S *	12/1999	Laga	D6/552
D437,164 S *	2/2001	Fickett	D6/552
D499,920 S *	12/2004	Hoag et al.	D6/552
D533,743 S *	12/2006	Eastman	D6/552

* cited by examiner

Primary Examiner—Brian N Vinson

(74) *Attorney, Agent, or Firm*—Steven E. Kahm; Nikolai & Mersereau, P.A.

(57) **CLAIM**

The ornamental design for the “bow hanger”, as shown and described.

DESCRIPTION

FIG. 1 is an oblique view of the bow hanger and hook showing my new design deployed on a tree, which is shown in broken lines and understood to form no part of the claimed design;

FIG. 2 is an oblique view partially folded;

FIG. 3 is an oblique view folded;

FIG. 4 is a top view of the bow hanger and hook;

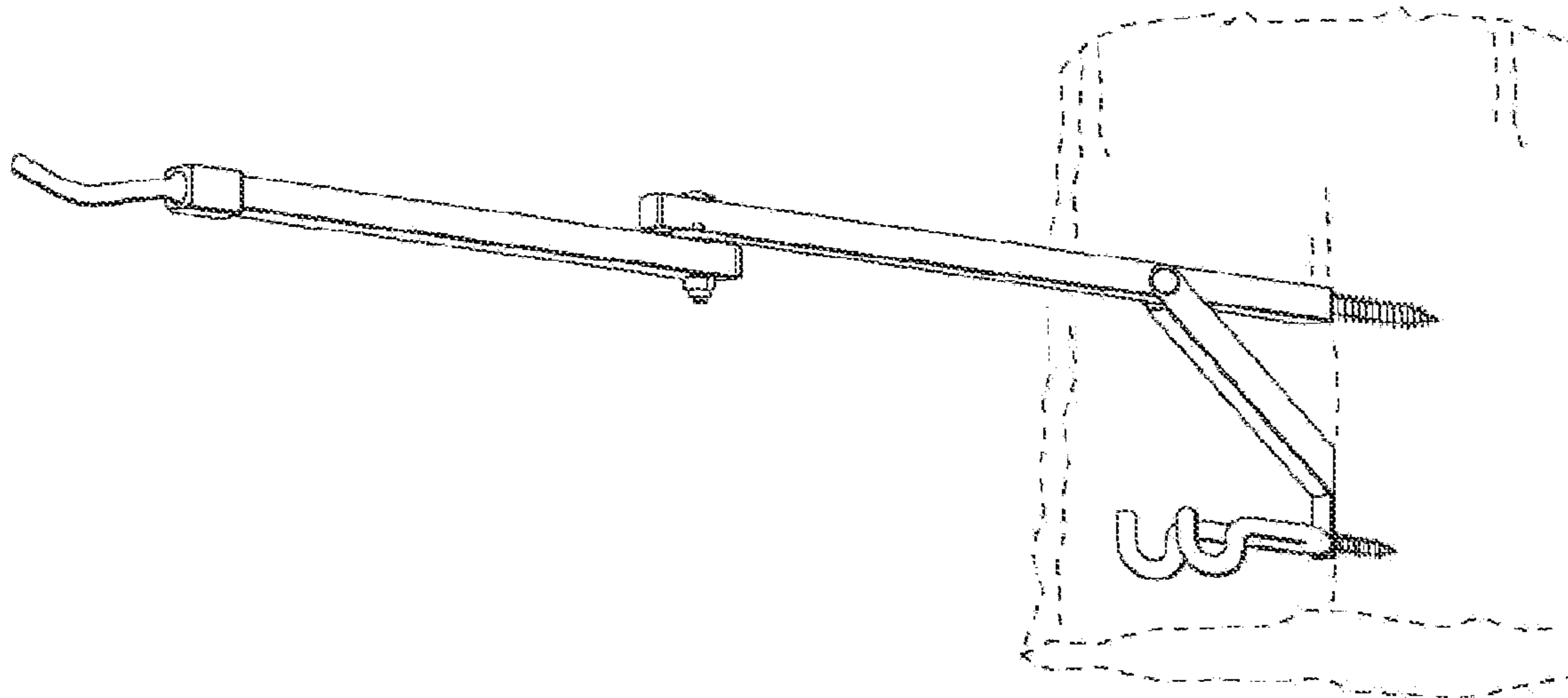
FIG. 5 is a left side view of the bow hanger, the right side view being symmetrical, and hook;

FIG. 6 is a bottom view of the bow hanger and hook;

FIG. 7 is a front view of the bow hanger; and,

FIG. 8 is a back view of the bow hanger.

1 Claim, 2 Drawing Sheets



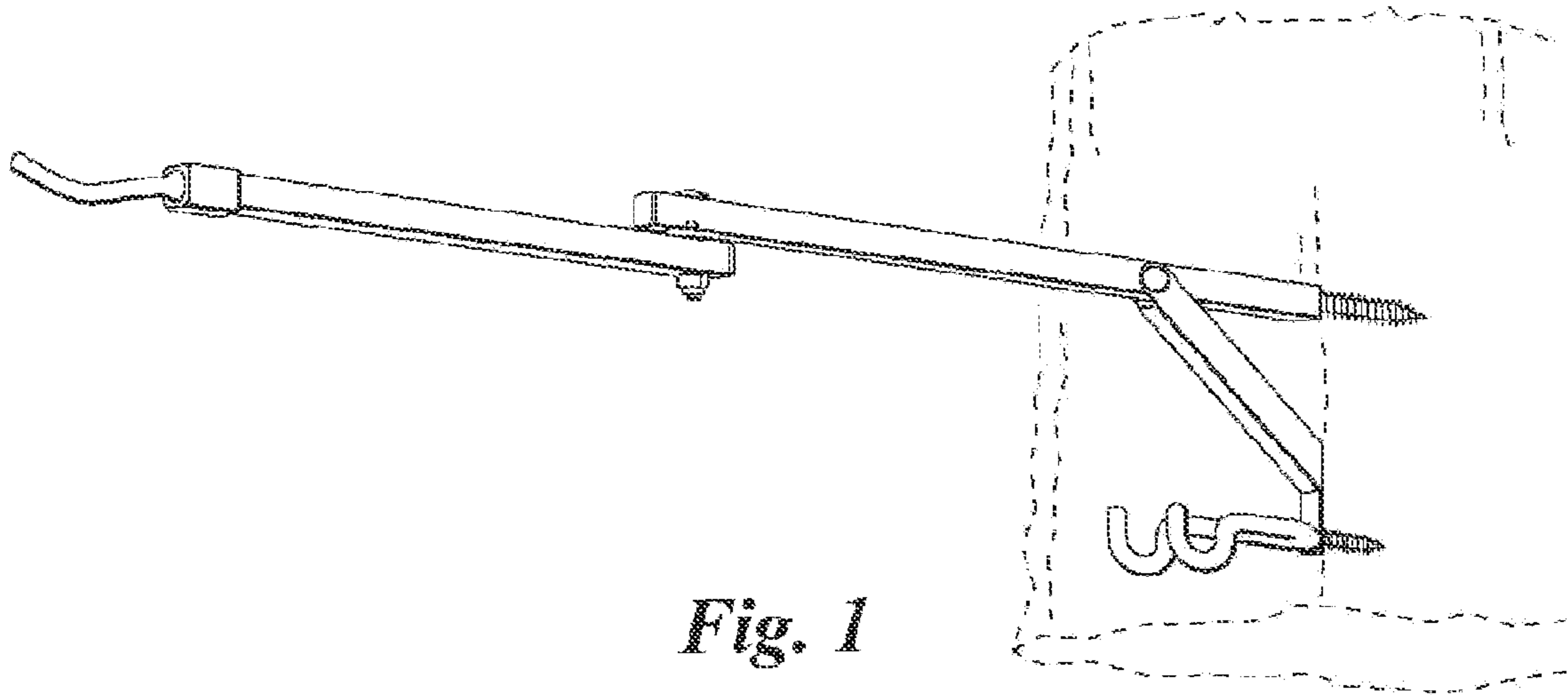


Fig. 1

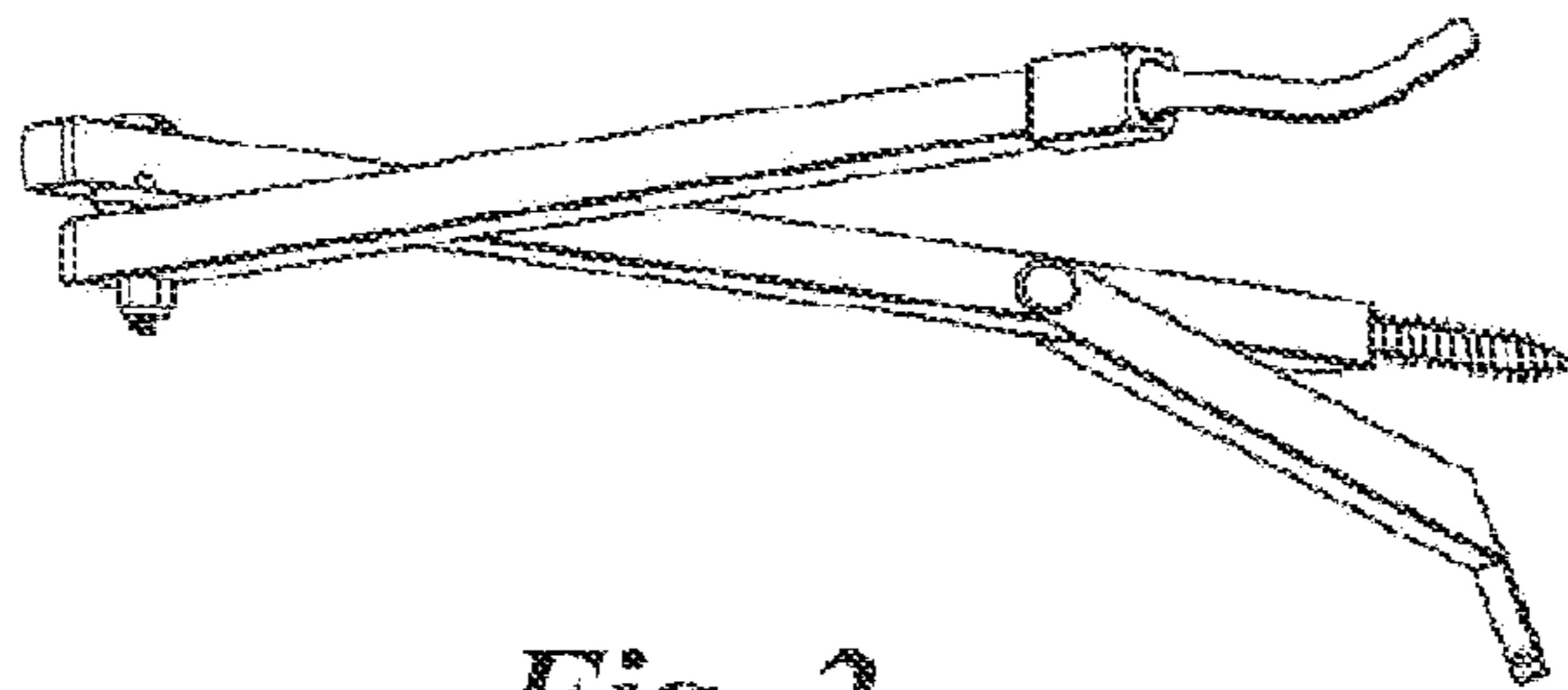


Fig. 2

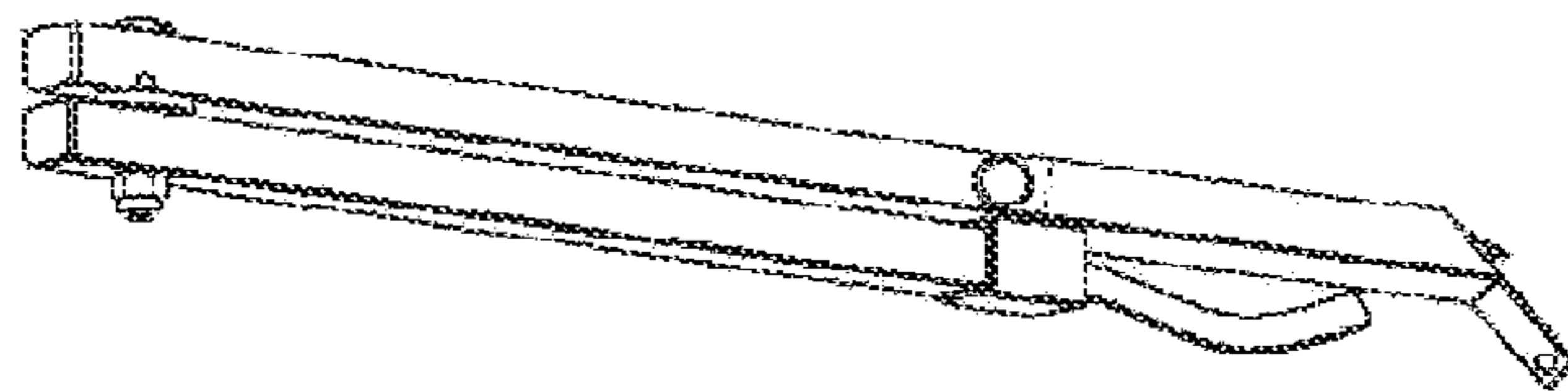


Fig. 3



Fig. 4

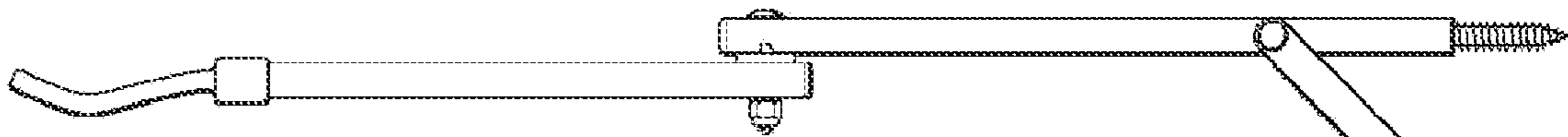
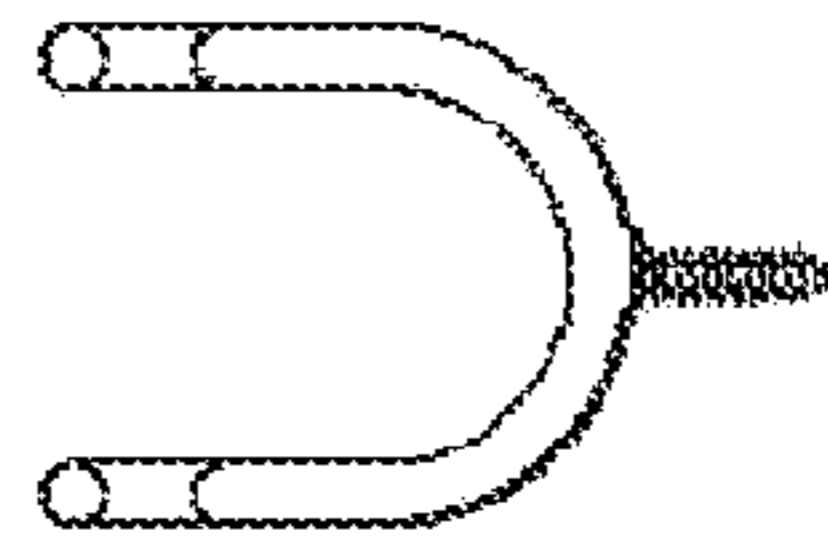


Fig. 5

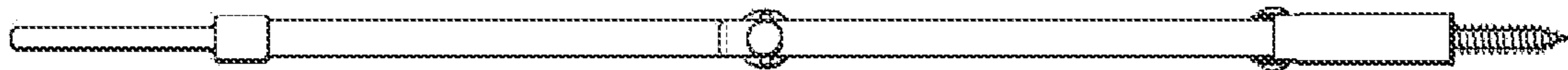
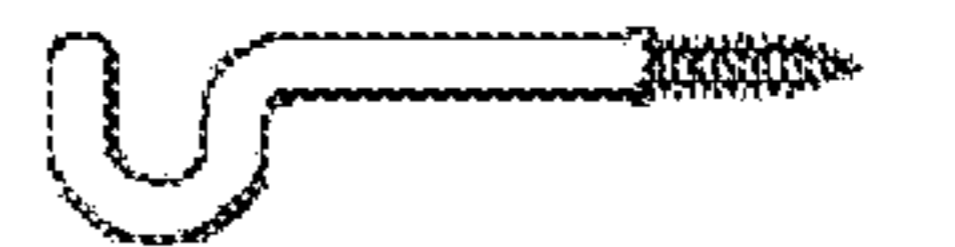


Fig. 6

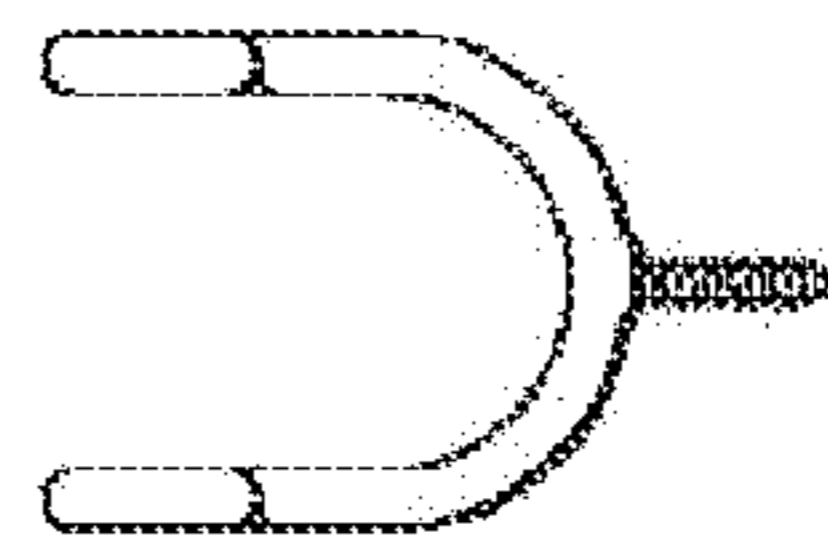


Fig. 7



Fig. 8