



US00D562609S

(12) **United States Design Patent**  
**Kramer**

(10) **Patent No.: US D562,609 S**

(45) **Date of Patent: \*\* Feb. 26, 2008**

(54) **SHOWER MASSAGE CADDY**

(75) Inventor: **Todd Kramer**, Marlton, NJ (US)

(73) Assignee: **Zenith Products Corp.**, New Castle, DE (US)

(\*\*) Term: **14 Years**

(21) Appl. No.: **29/278,365**

(22) Filed: **Mar. 27, 2007**

(51) **LOC (8) Cl.** ..... **23-02**

(52) **U.S. Cl.** ..... **D6/525**

(58) **Field of Classification Search** ..... D6/524,  
D6/525, 566, 536, 540; 211/13.1, 74, 71.01,  
211/86.01, 75, 88.01, 90.01, 90.03, 106, 119,  
211/126.1, 133.5, 181.1, 134

See application file for complete search history.

(56) **References Cited**

U.S. PATENT DOCUMENTS

D351,750 S *	10/1994	Sweeney	.....	D6/525
D396,157 S *	7/1998	Hofman	.....	D6/525
D446,670 S *	8/2001	Emery et al.	.....	D6/525
6,520,351 B1 *	2/2003	Zadro	.....	211/119
D473,084 S *	4/2003	Suero, Jr.	.....	D6/525
D473,411 S *	4/2003	Walker	.....	D6/525
D477,947 S *	8/2003	Snell	.....	D6/525
D479,074 S *	9/2003	Snell	.....	D6/525
D489,207 S *	5/2004	Rosen	.....	D6/525

D498,102 S *	11/2004	Snell	.....	D6/525
D512,861 S *	12/2005	Rosen	.....	D6/525
D530,551 S *	10/2006	Snell	.....	D6/525
D530,948 S *	10/2006	Snell	.....	D6/525

OTHER PUBLICATIONS

Photographic image, shower caddy, 1 page.  
Photographic image, shower caddy, 1 page.

\* cited by examiner

*Primary Examiner*—Brian N Vinson

(74) *Attorney, Agent, or Firm*—Panitch Schwarze Belisario & Nadel LLP

(57) **CLAIM**

The ornamental design for a shower massage caddy, as shown and described.

**DESCRIPTION**

FIG. 1 is a front elevation view of a shower massage caddy in accordance with my new design;

FIG. 2 is a rear elevation view thereof;

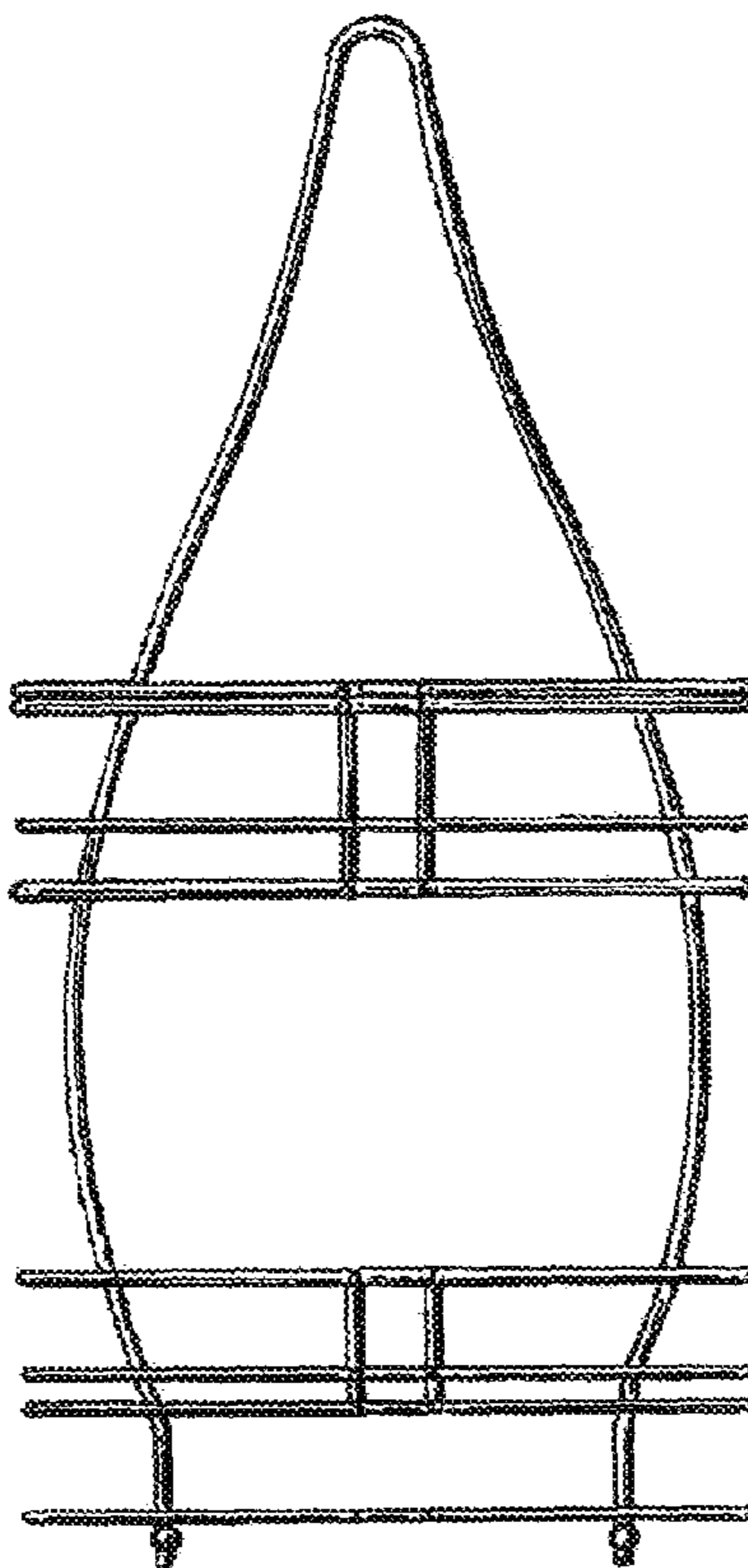
FIG. 3 is a top plan view thereof;

FIG. 4 is a bottom plan view thereof;

FIG. 5 is a right side elevation view thereof, with the left side being a mirror image; and,

FIG. 6 is a front right side perspective view thereof.

**1 Claim, 2 Drawing Sheets**



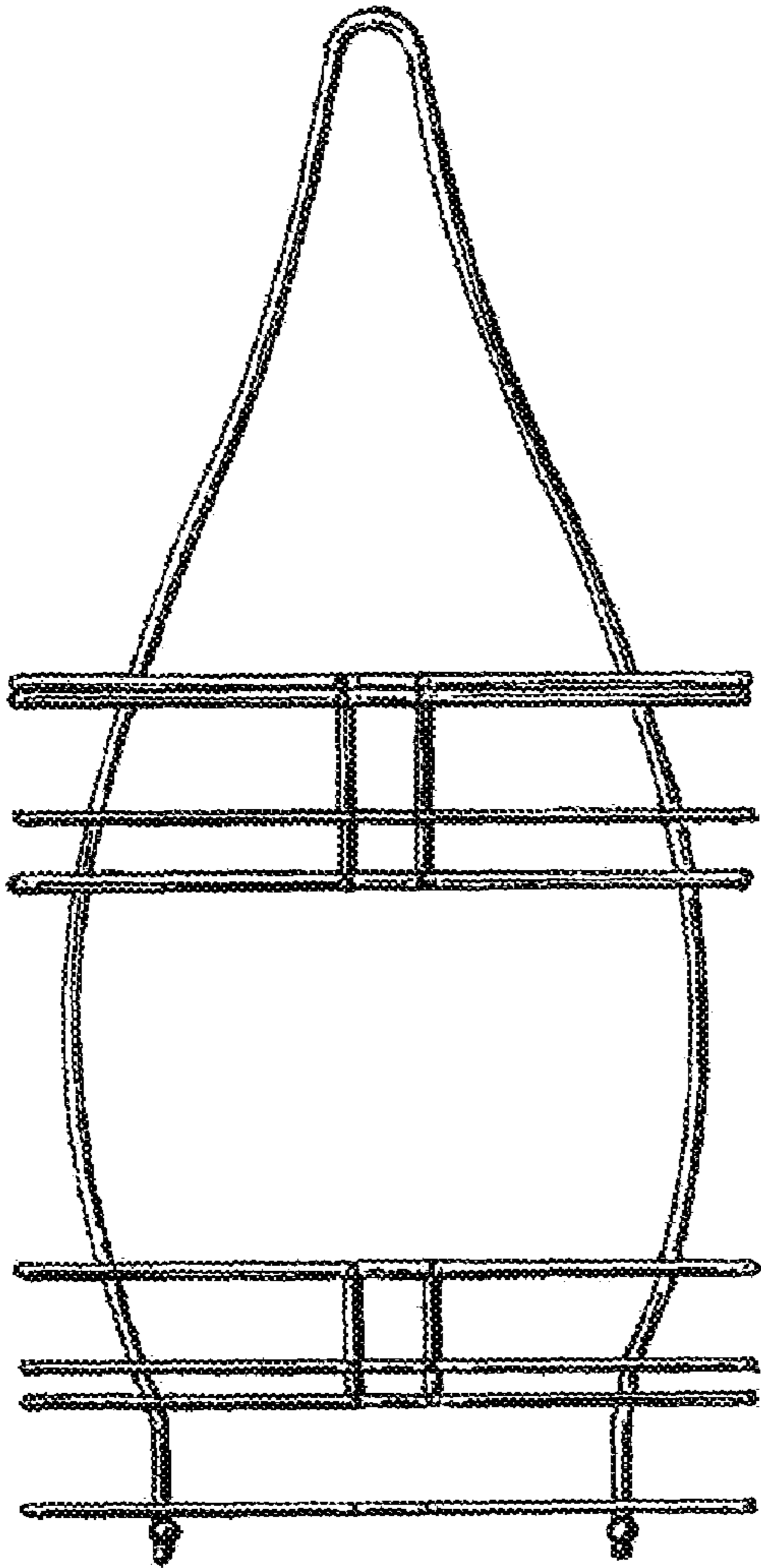


FIG. 1

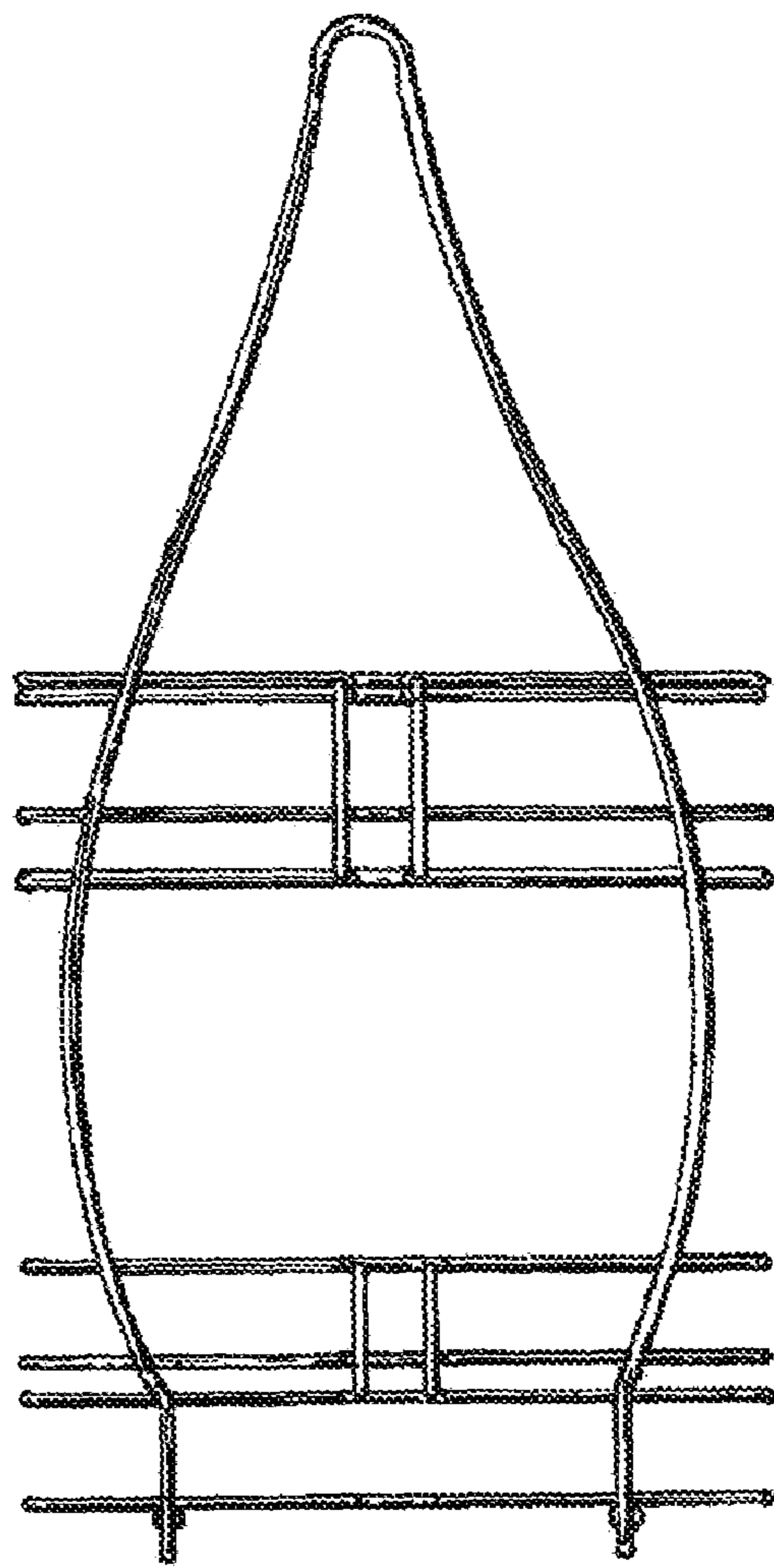


FIG. 2

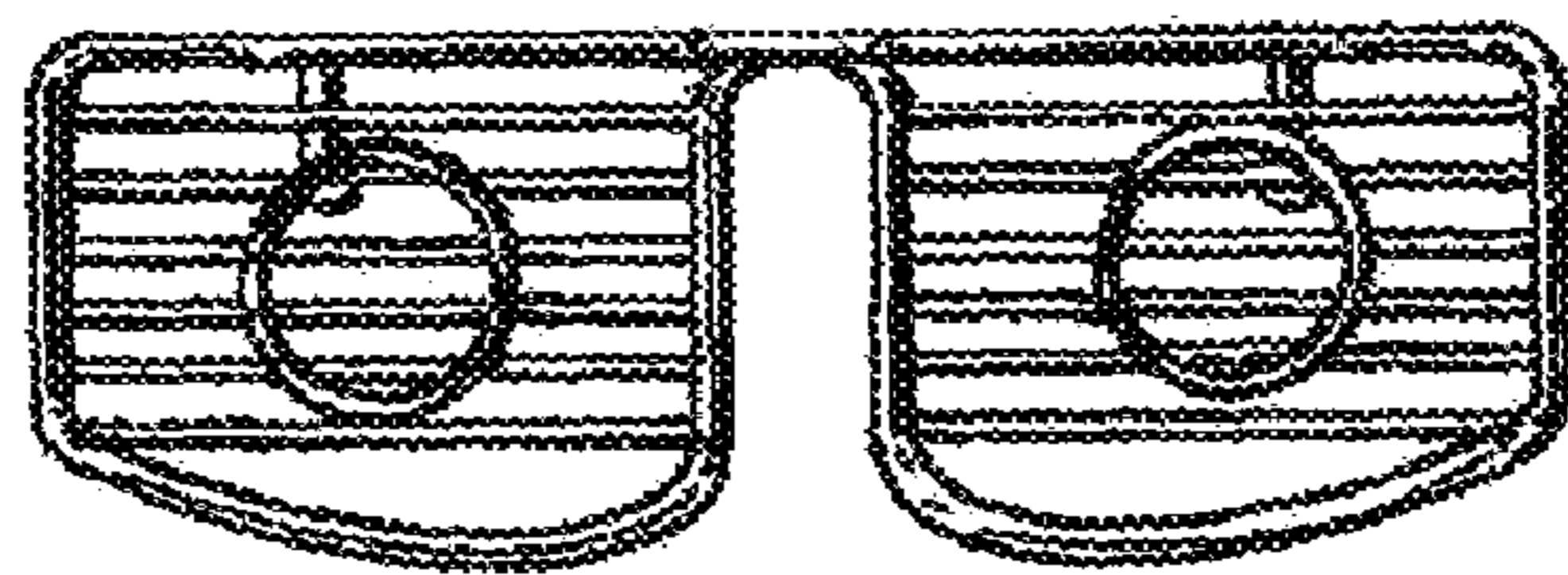


FIG. 3

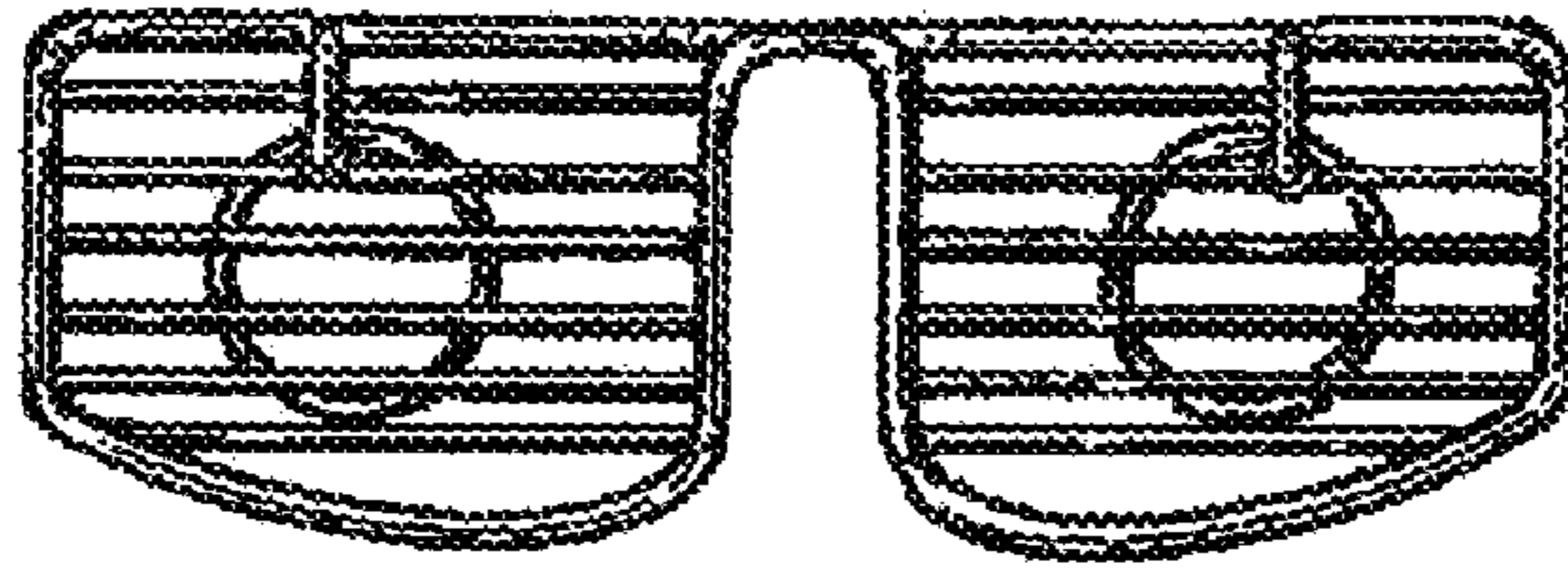


FIG. 4

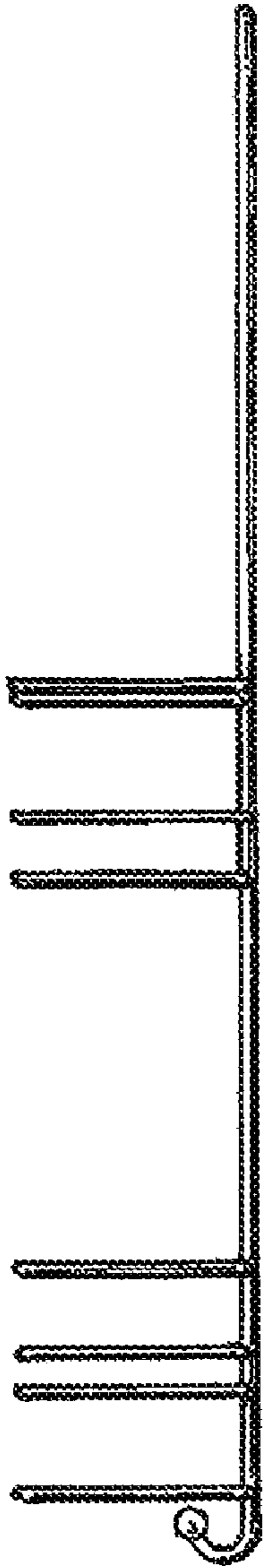


FIG. 5

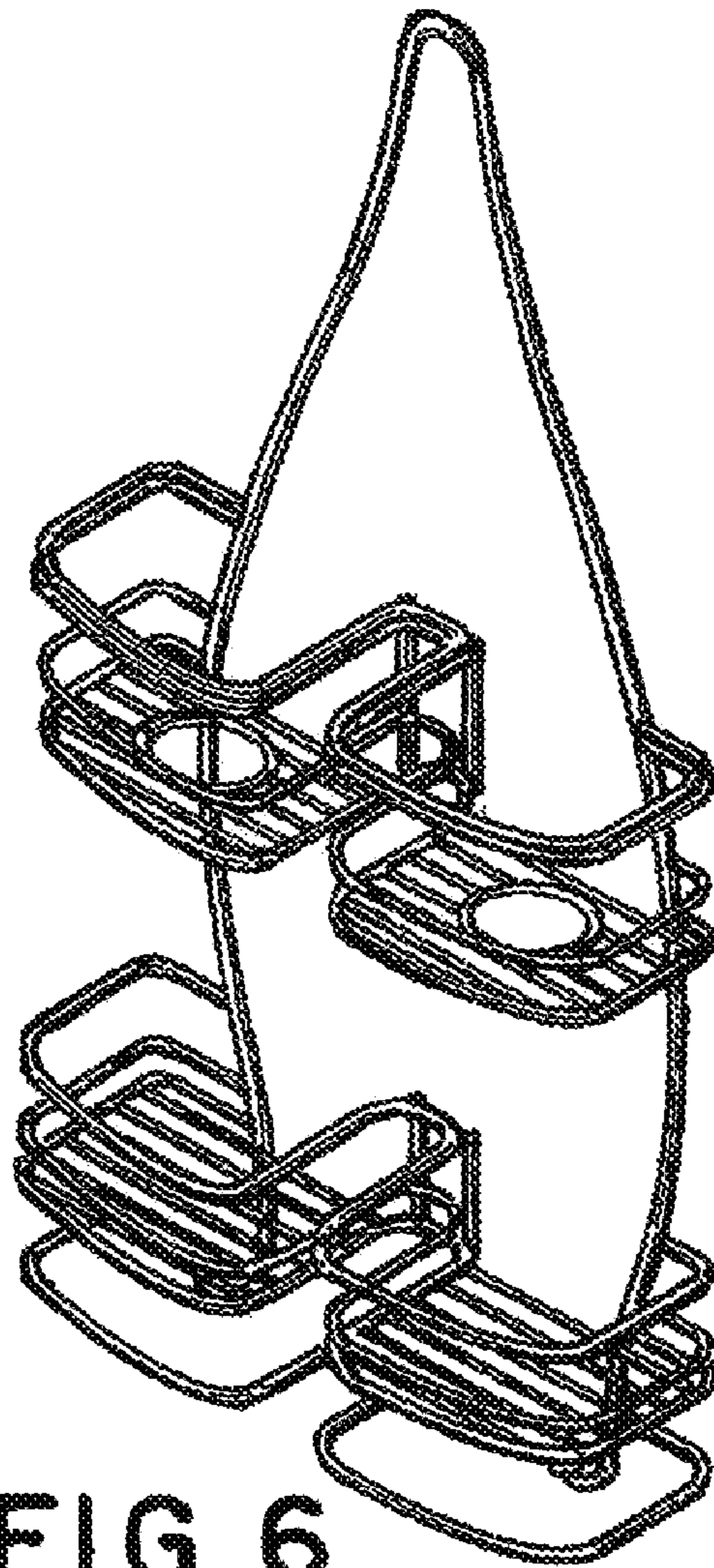


FIG. 6