



US00D562607S

(12) **United States Design Patent**
Chen

(10) **Patent No.:** **US D562,607 S**

(45) **Date of Patent:** **** Feb. 26, 2008**

(54) **POST FOR BATH ACCESSORY**

D498,098 S * 11/2004 Chen D6/524
D499,290 S * 12/2004 Lai D6/524
D544,266 S * 6/2007 Wu D6/524

(76) Inventor: **Lien-Fu Chen**, No. 11, Lane 66, Fu
Dong Street, Fu Shan Li, Chung Hua
City (TW)

* cited by examiner

(**) Term: **14 Years**

Primary Examiner—Brian N Vinson

(74) *Attorney, Agent, or Firm*—Charles E. Baxley

(21) Appl. No.: **29/285,221**

(57) **CLAIM**

(22) Filed: **Mar. 23, 2007**

The ornamental design for a post for bath accessory, as shown and described.

(51) **LOC (8) Cl.** **23-02**

(52) **U.S. Cl.** **D6/524; D6/550**

(58) **Field of Classification Search** D6/518-524,
D6/548-550; D8/300, 303, 315-321, 349,
D8/354, 363, 373, 380; 108/28-29; 211/13.1,
211/16, 60.1, 100, 86.01, 87.01, 88.01, 88.04,
211/105.1-105.2, 123, 182, 181.1; 248/176,
248/176.1, 251, 302, 309.1; 16/110.1, 412,
16/415; 242/570, 590, 595-598
See application file for complete search history.

DESCRIPTION

FIG. 1 is a perspective view of a post for bath accessory showing my new design;

FIG. 2 is a front elevational view thereof;

FIG. 3 is a rear elevational view thereof;

FIG. 4 is a left side elevational view thereof;

FIG. 5 is a right side elevational view thereof;

FIG. 6 is a top plan view thereof;

FIG. 7 is a bottom plan view thereof; and,

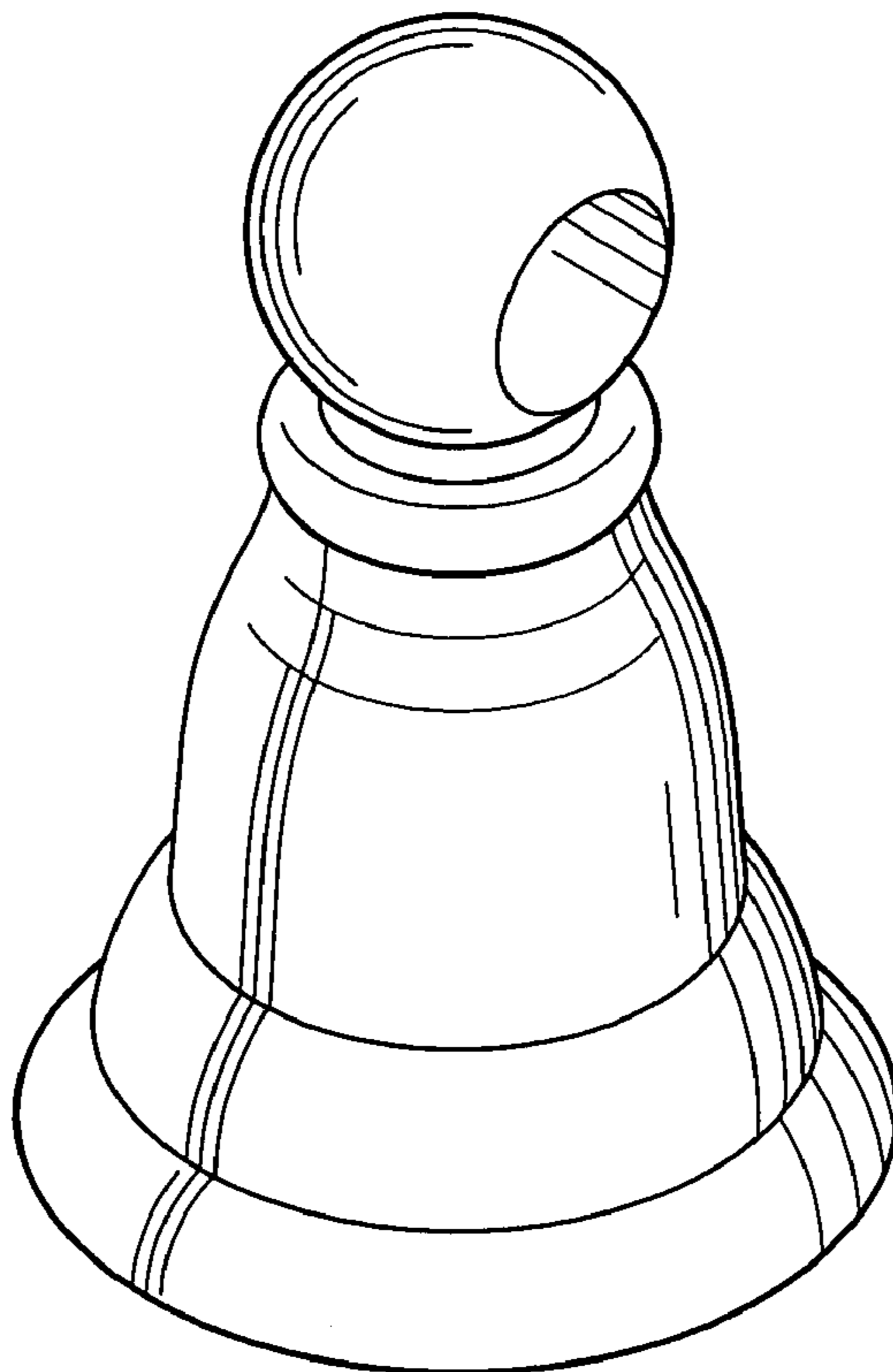
FIG. 8 is a reduced top, front, and right side perspective view thereof, with the broken-line disclosure of a towel bar being for illustrative purposes only and forming no part of the claimed design.

(56) **References Cited**

U.S. PATENT DOCUMENTS

D337,230 S * 7/1993 Wang D6/550
D390,397 S * 2/1998 Chen D6/550
D424,354 S * 5/2000 Duggan D6/550
D431,948 S * 10/2000 Chen D6/524
D497,751 S * 11/2004 Roberts et al. D6/524

1 Claim, 5 Drawing Sheets



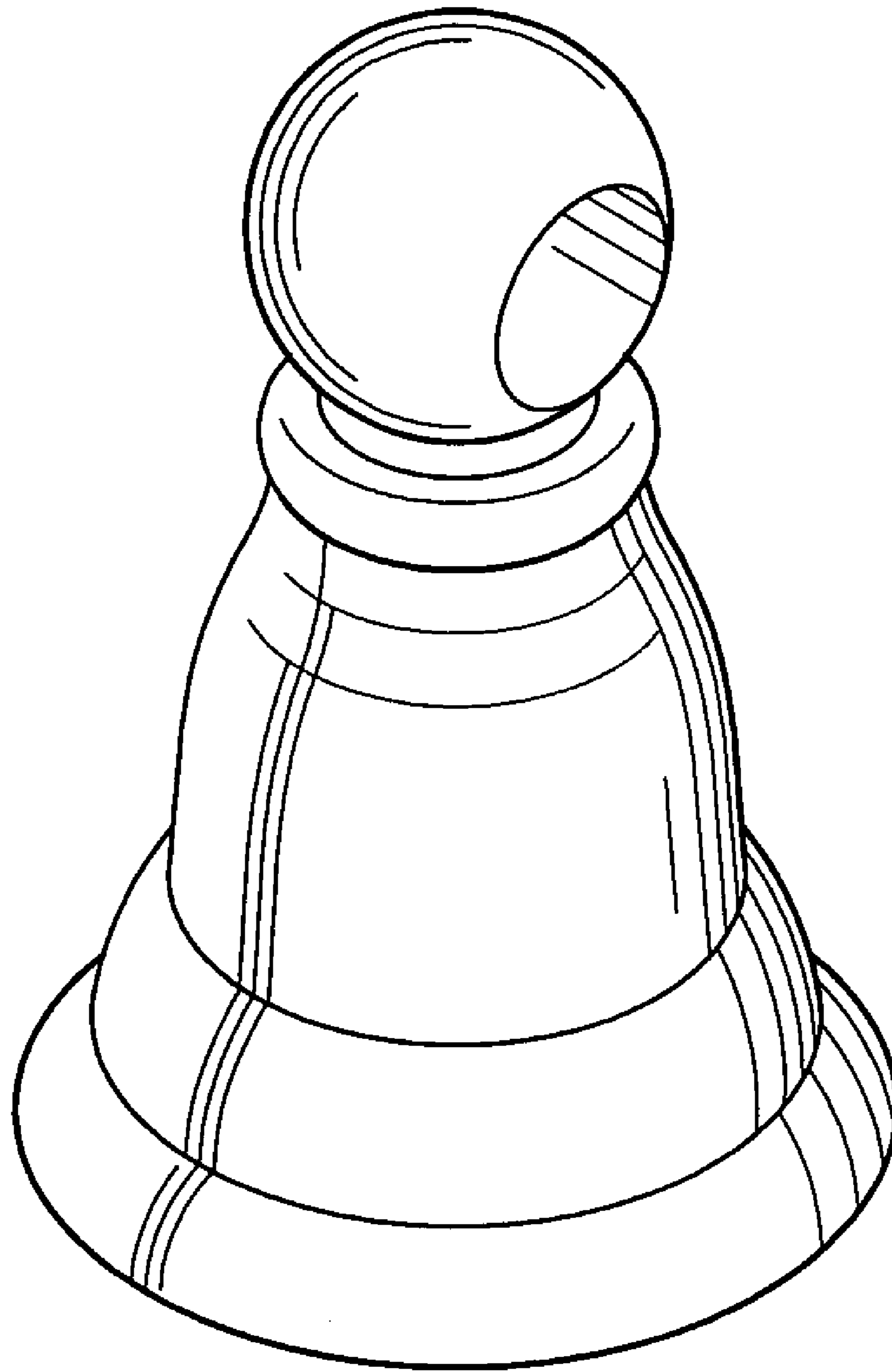


FIG. 1

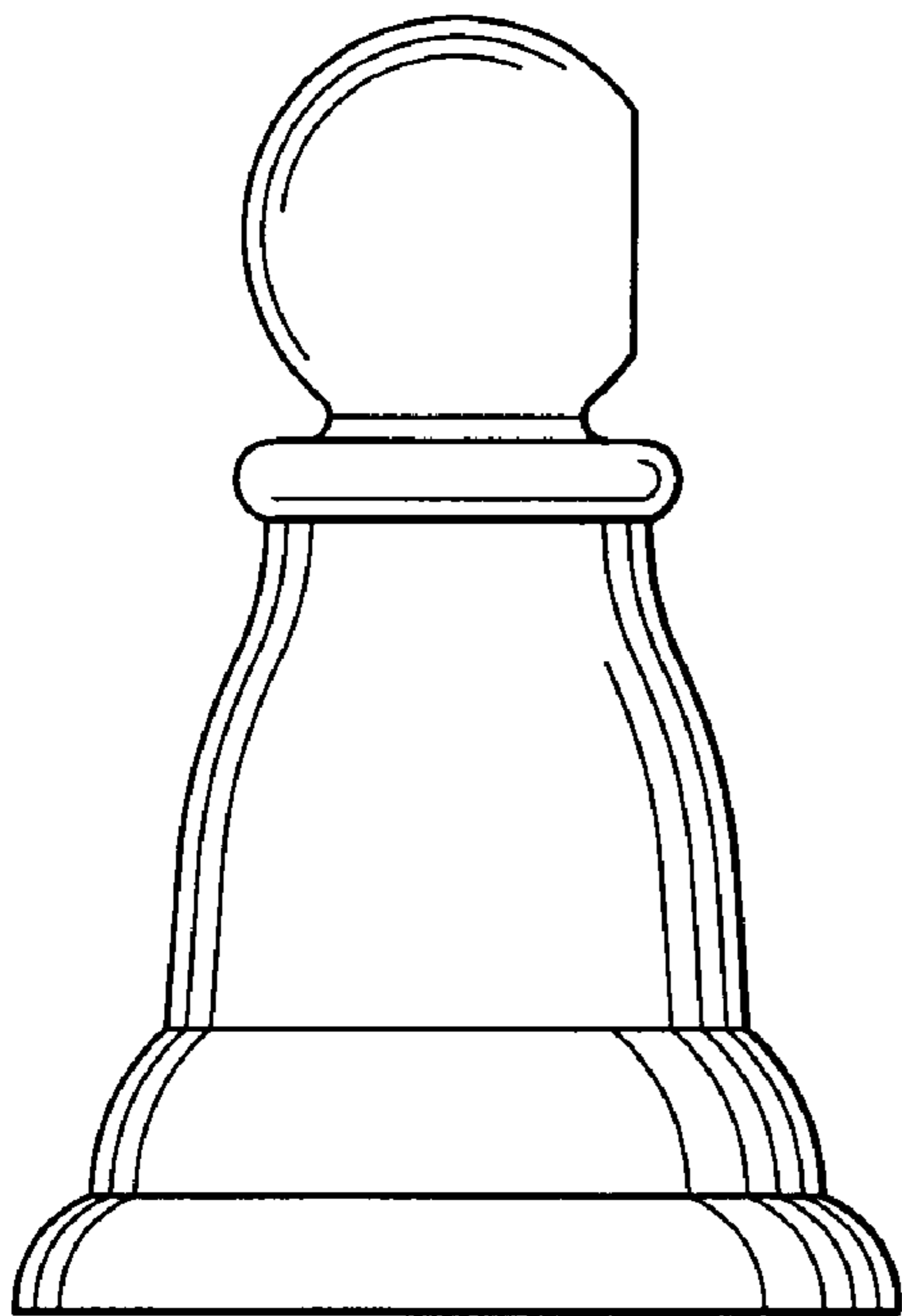


FIG. 2

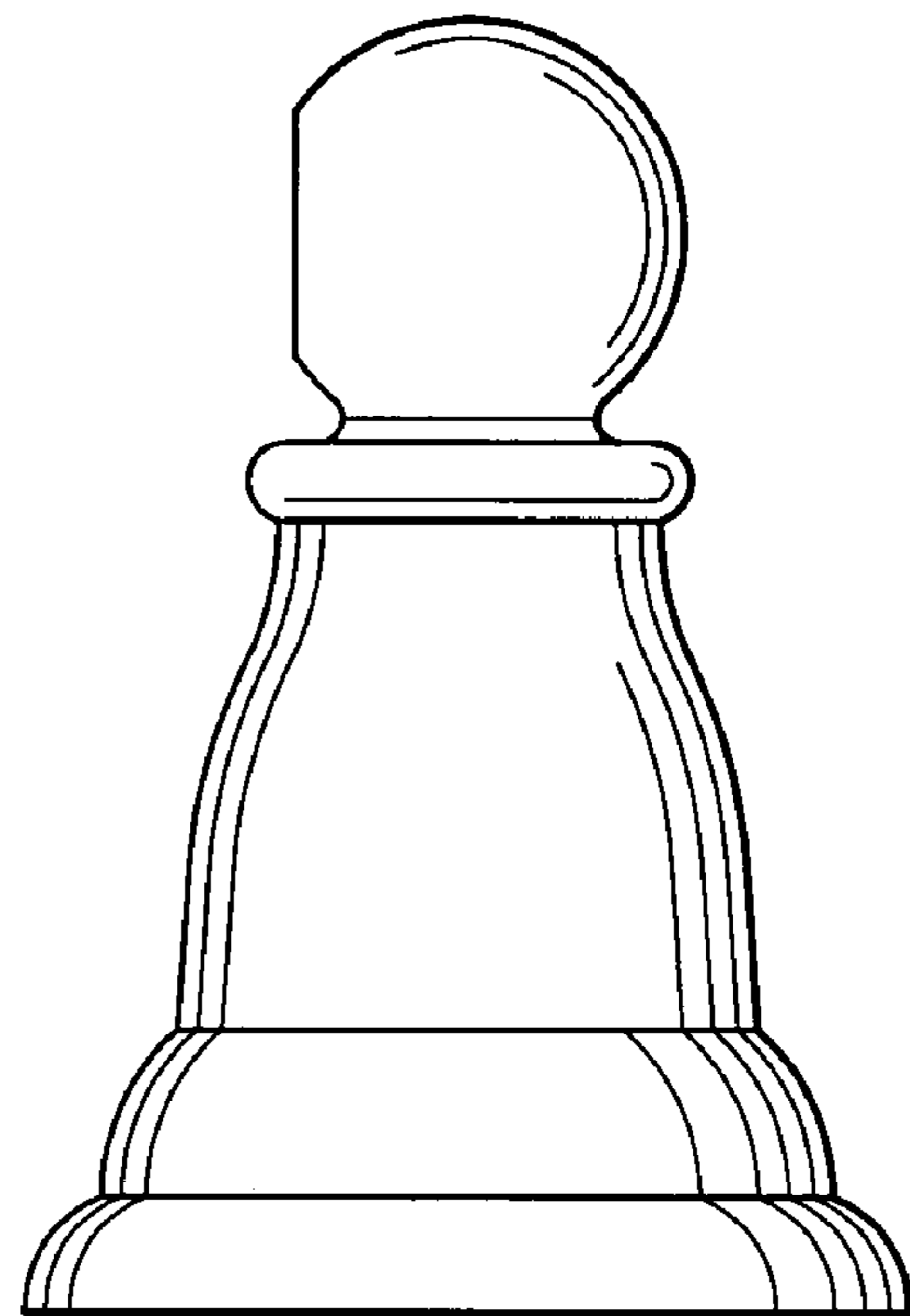


FIG. 3

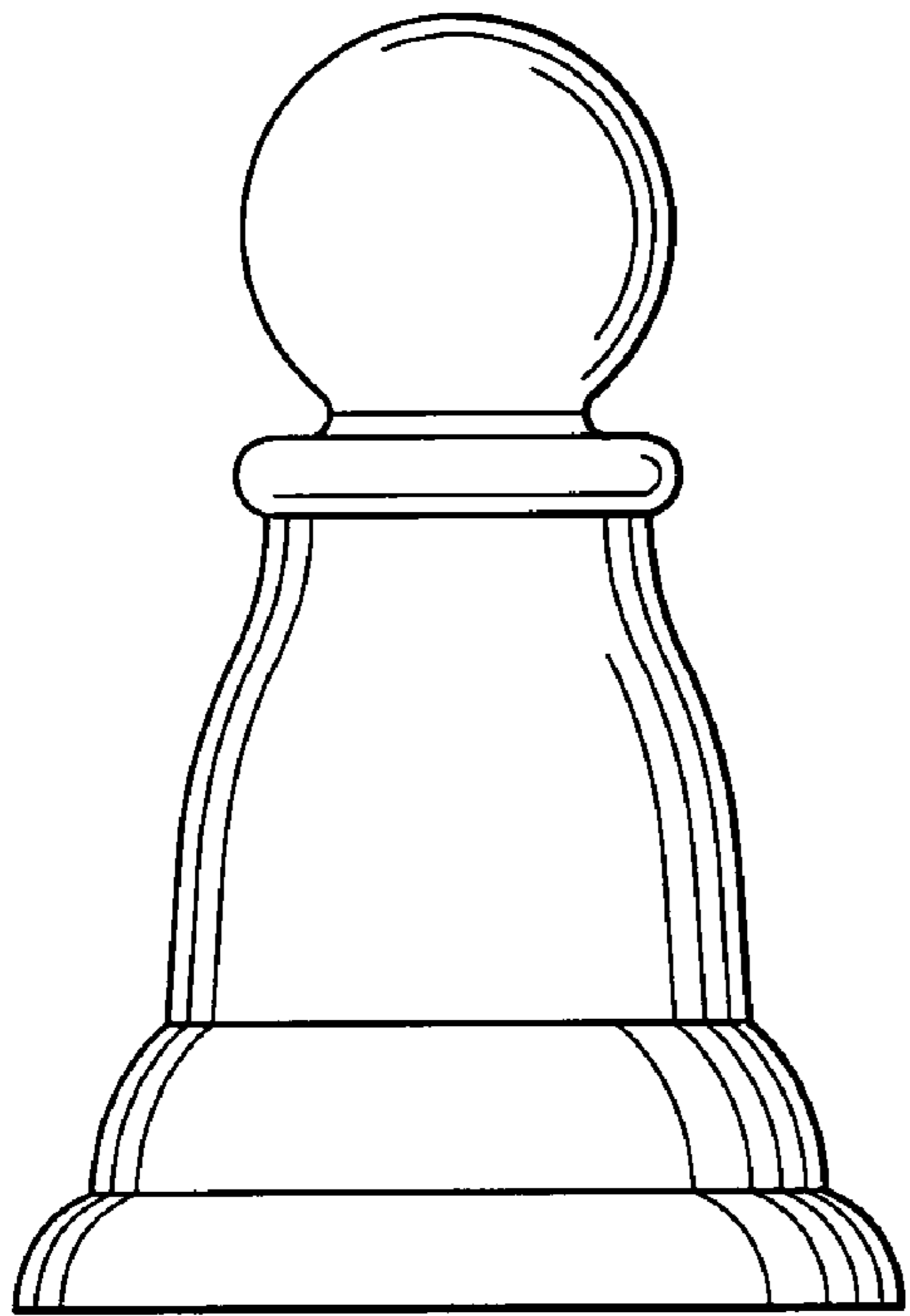


FIG. 4

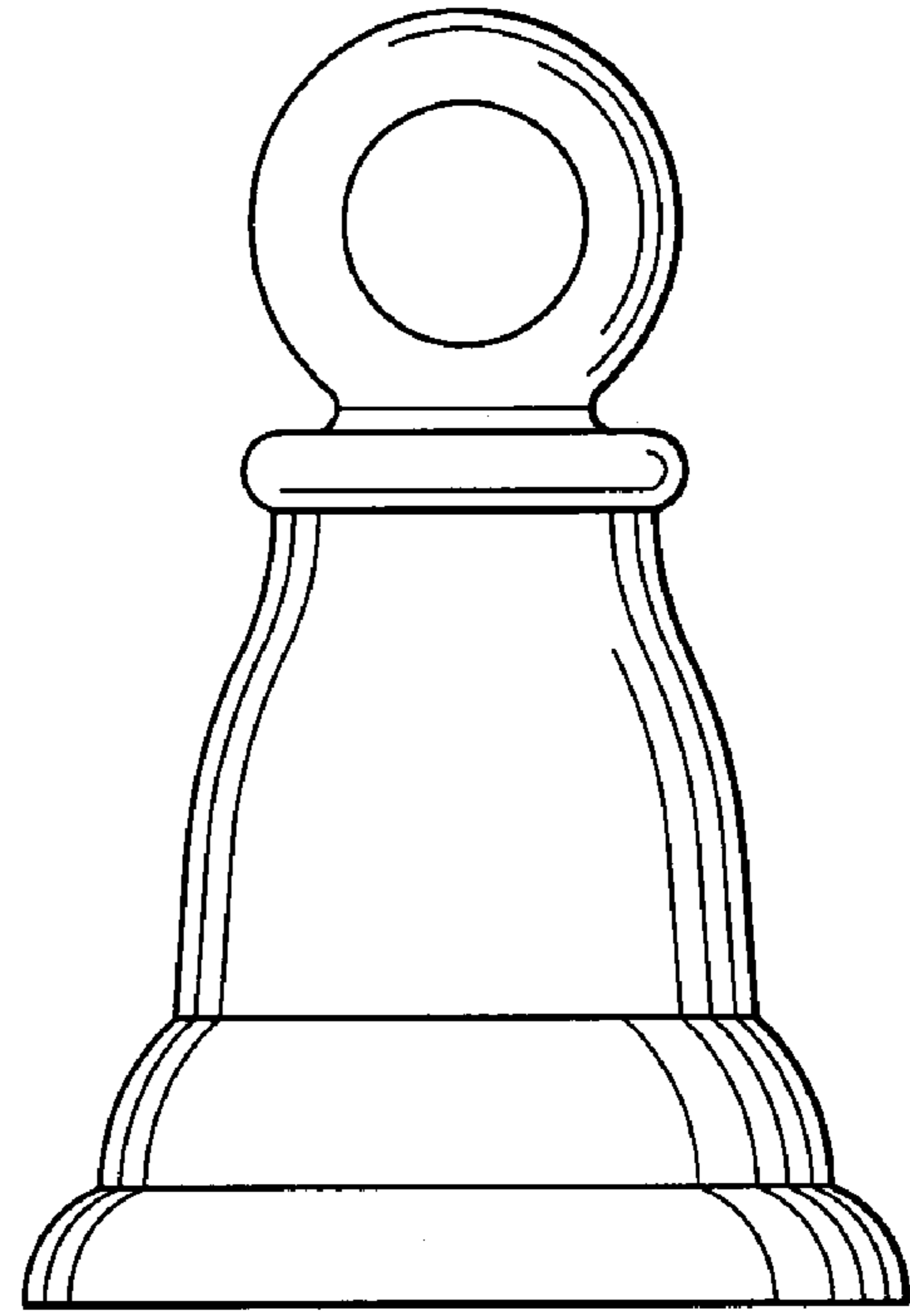


FIG. 5

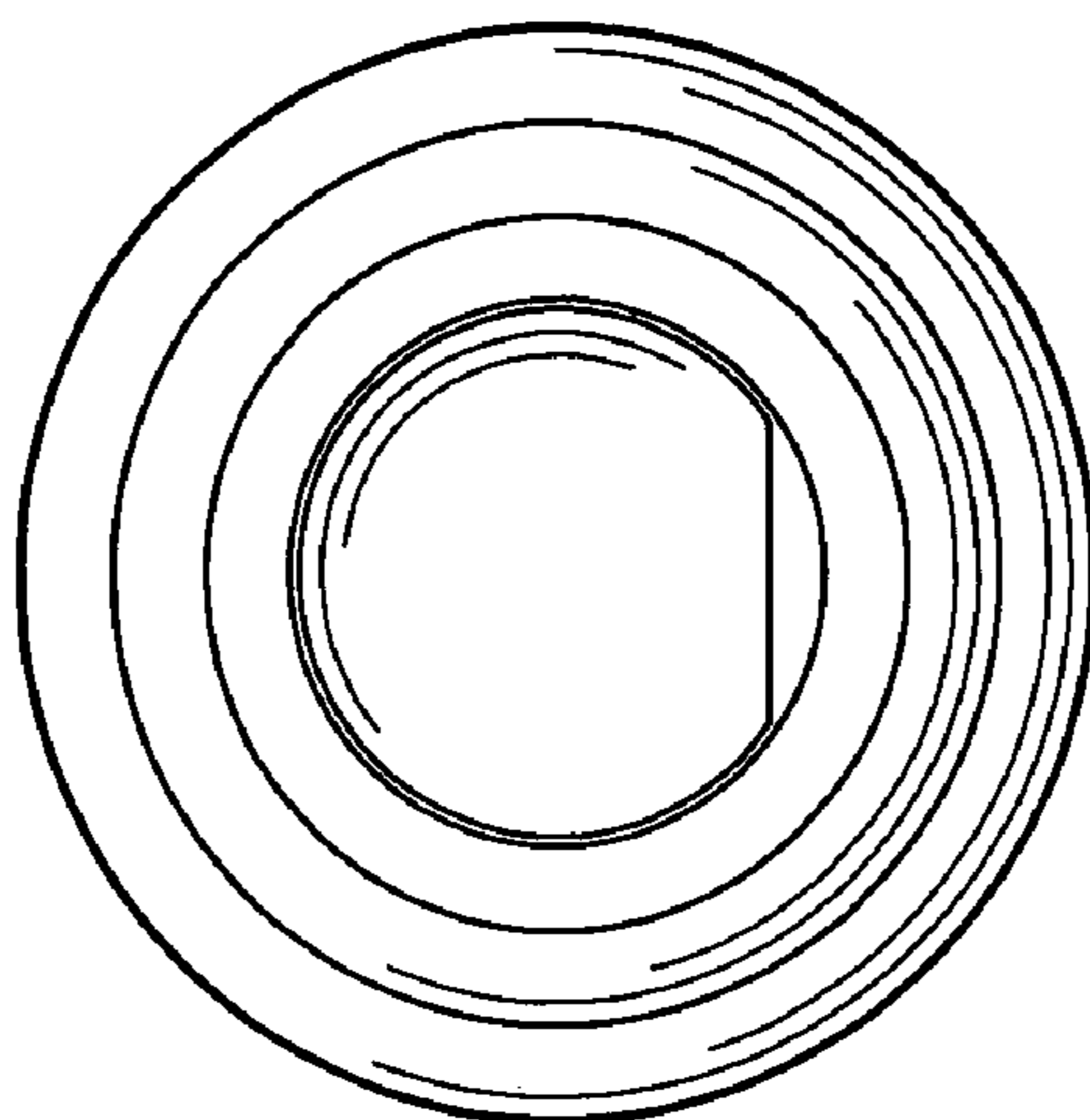


FIG. 6

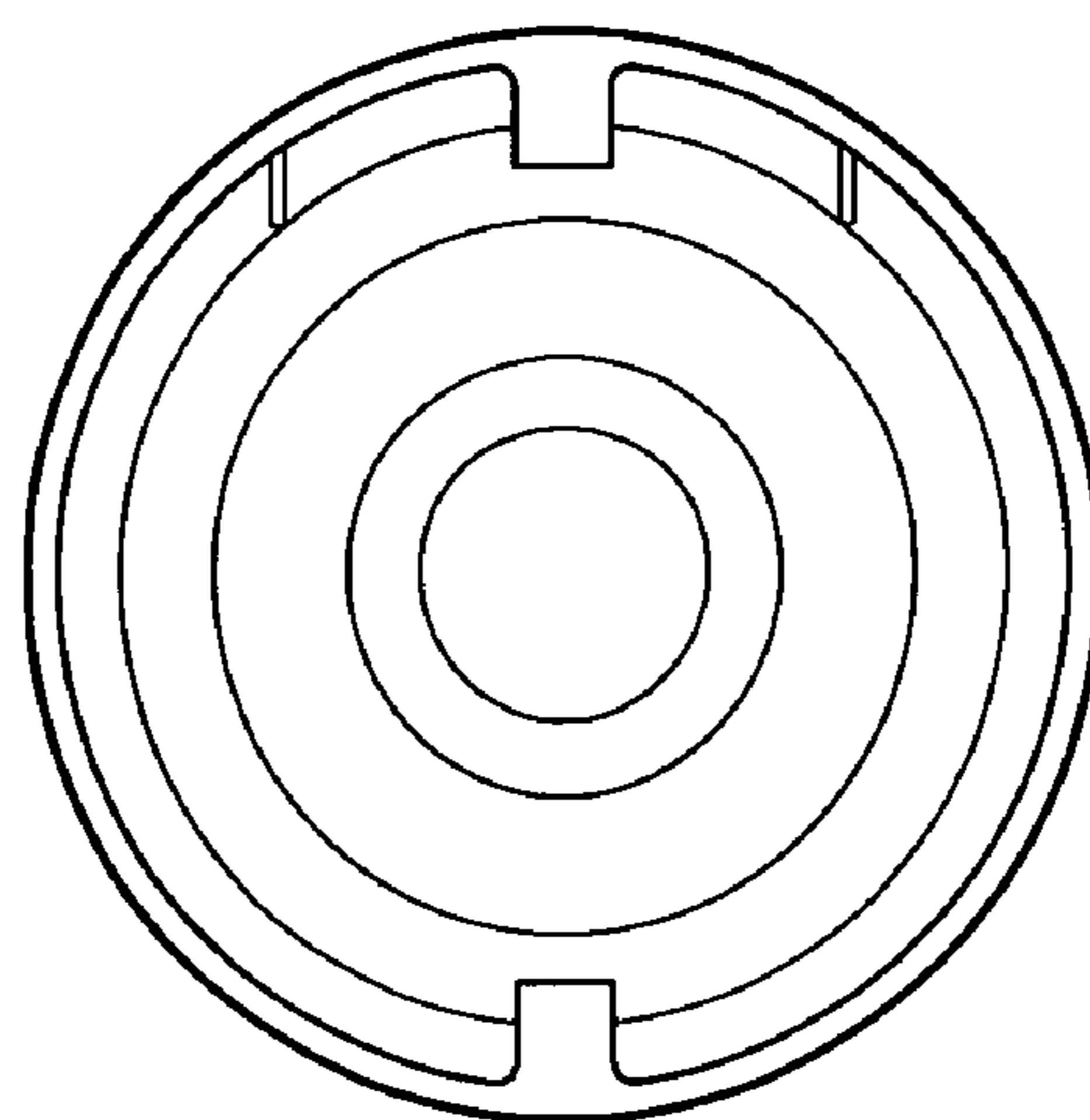


FIG. 7

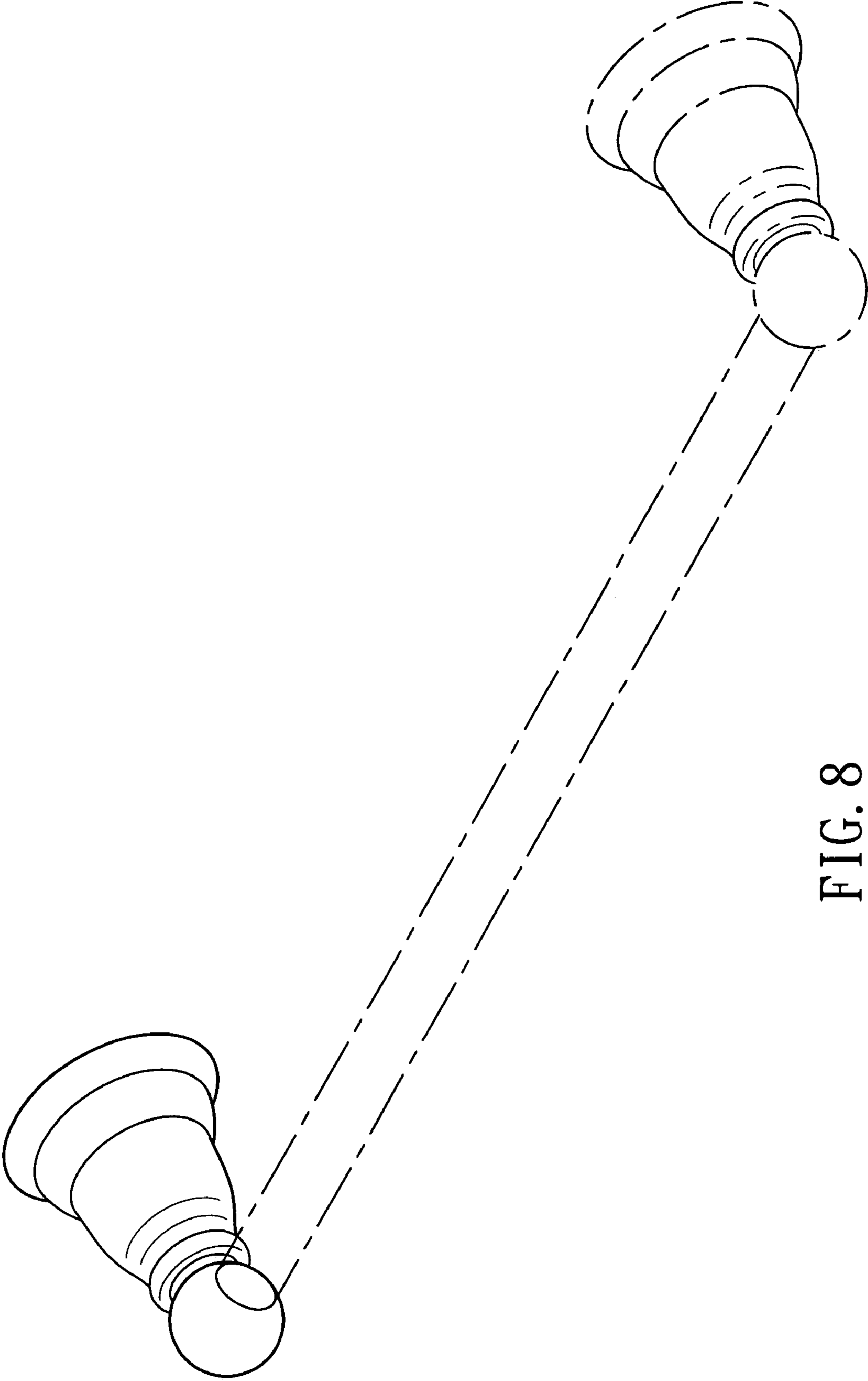


FIG. 8