



US00D562605S

(12) **United States Design Patent**  
**Hoernig**

(10) **Patent No.:** **US D562,605 S**

(45) **Date of Patent:** **\*\* Feb. 26, 2008**

(54) **TISSUE HOLDER**

(75) Inventor: **Victor Hoernig**, Lowell, IN (US)

(73) Assignee: **Masco Corporation of Indiana**,  
Indianapolis, IN (US)

(\*\*) Term: **14 Years**

(21) Appl. No.: **29/276,929**

(22) Filed: **Feb. 9, 2007**

(51) **LOC (8) Cl.** ..... **23-02**

(52) **U.S. Cl.** ..... **D6/523**

(58) **Field of Classification Search** ..... D6/515-524,  
D6/546-550; D8/300, 303, 315-321; 108/28-29;  
211/13.1, 16, 60.1, 86.01, 87.01, 88.01, 88.04,  
211/100, 105.1-105.2, 123, 181.1, 182; 248/175,  
248/176.1, 251, 302; 16/110.1, 412, 415;  
242/570, 590, 595-598

See application file for complete search history.

(56) **References Cited**

**U.S. PATENT DOCUMENTS**

- D385,446 S \* 10/1997 Keserica ..... D6/523
- D439,086 S \* 3/2001 Milrud et al. .... D6/523
- D455,588 S \* 4/2002 Ou-Young ..... D6/523
- D465,366 S \* 11/2002 Ouyoung ..... D6/523
- D477,731 S \* 7/2003 Hoernig ..... D6/523

- D486,681 S \* 2/2004 Hoernig ..... D6/523
- D492,865 S \* 7/2004 Graves et al. .... D6/523
- D532,228 S \* 11/2006 Snell ..... D6/522
- D541,089 S \* 4/2007 Massaud ..... D6/523

\* cited by examiner

*Primary Examiner*—Brian N Vinson

(74) *Attorney, Agent, or Firm*—Leon E. Redman; Lloyd D. Doigan

(57) **CLAIM**

The ornamental design for a tissue holder, as shown and described.

**DESCRIPTION**

FIG. 1 is a front perspective view of a tissue holder showing my new design;

FIG. 2 is a top plan view thereof;

FIG. 3 is a bottom plan view thereof;

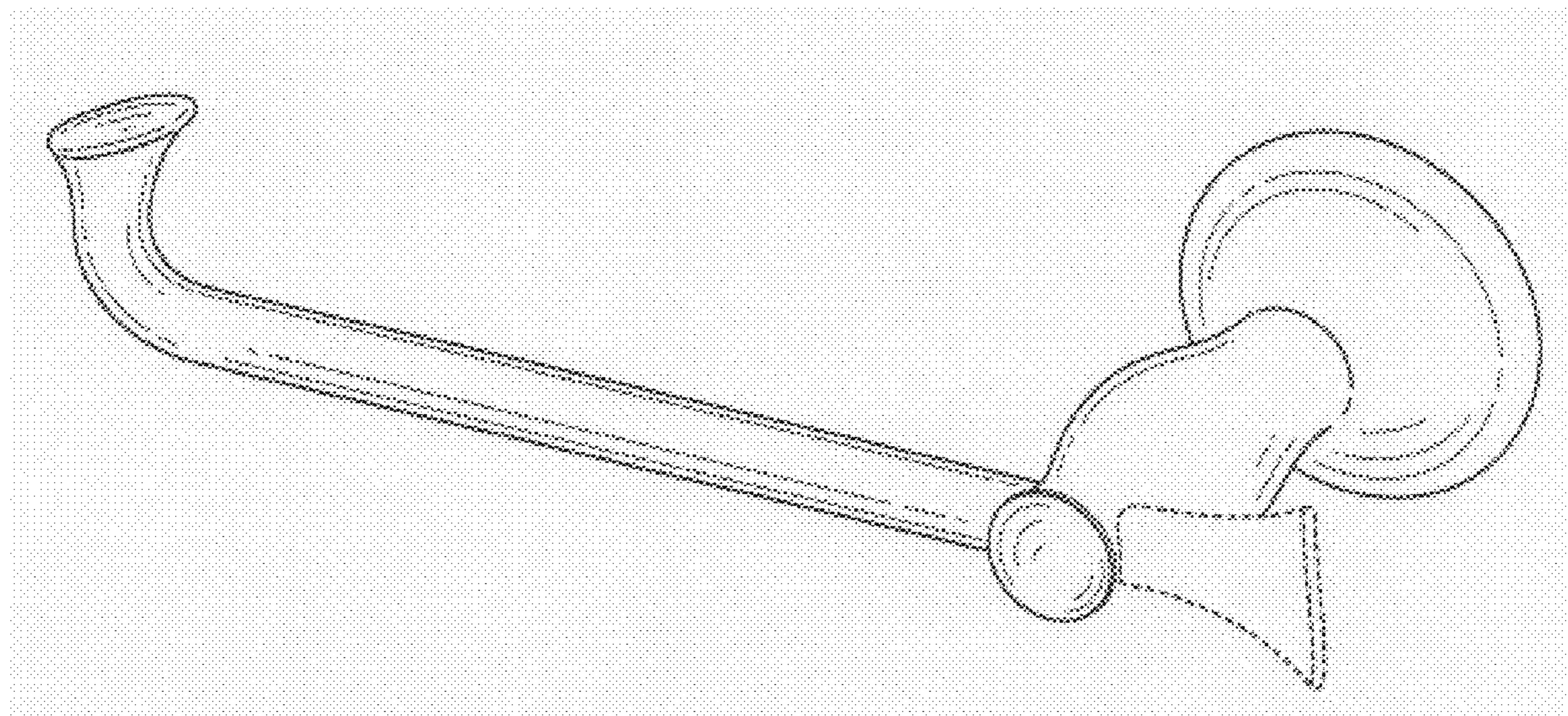
FIG. 4 is a front elevational thereof;

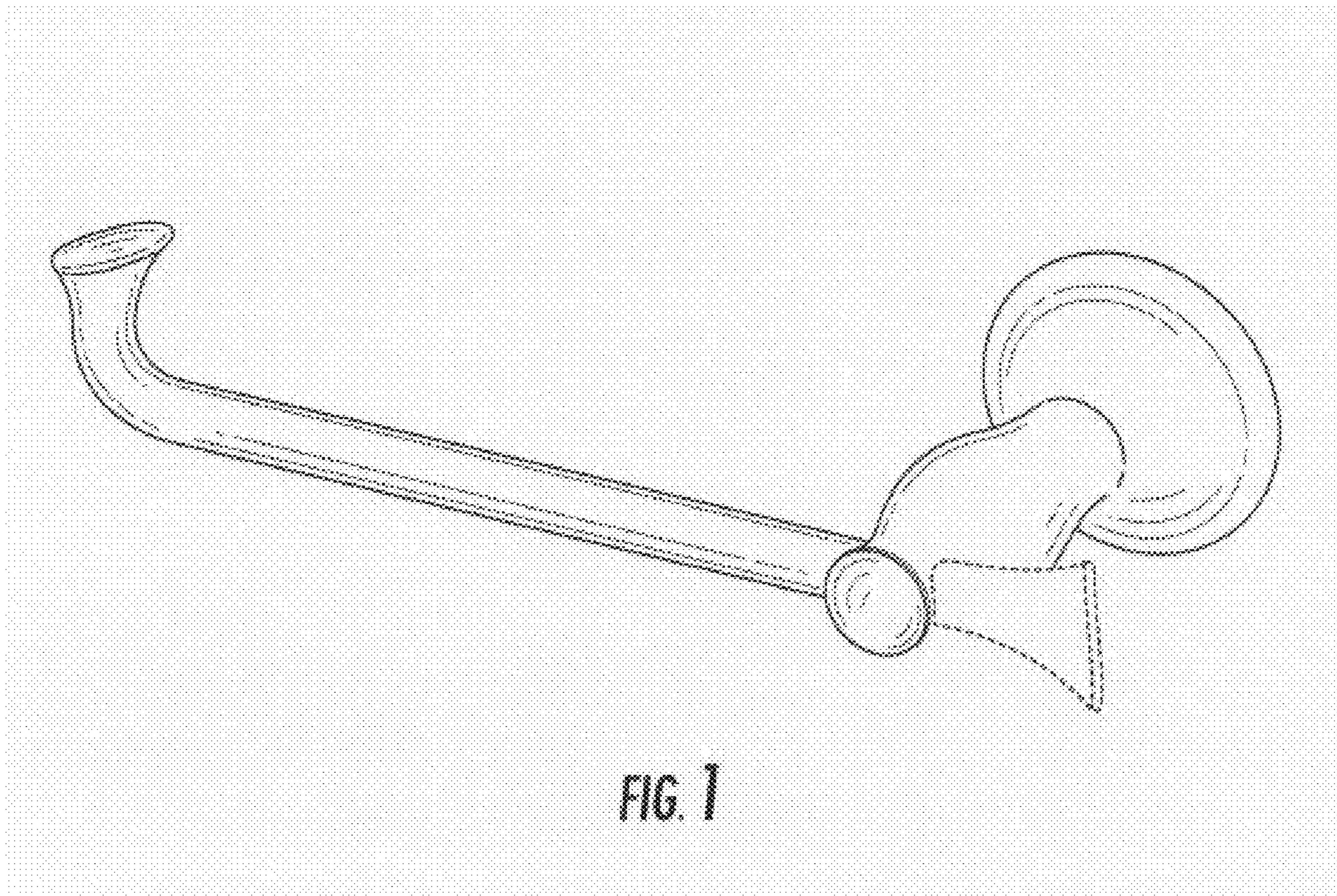
FIG. 5 is a right side elevational view; and,

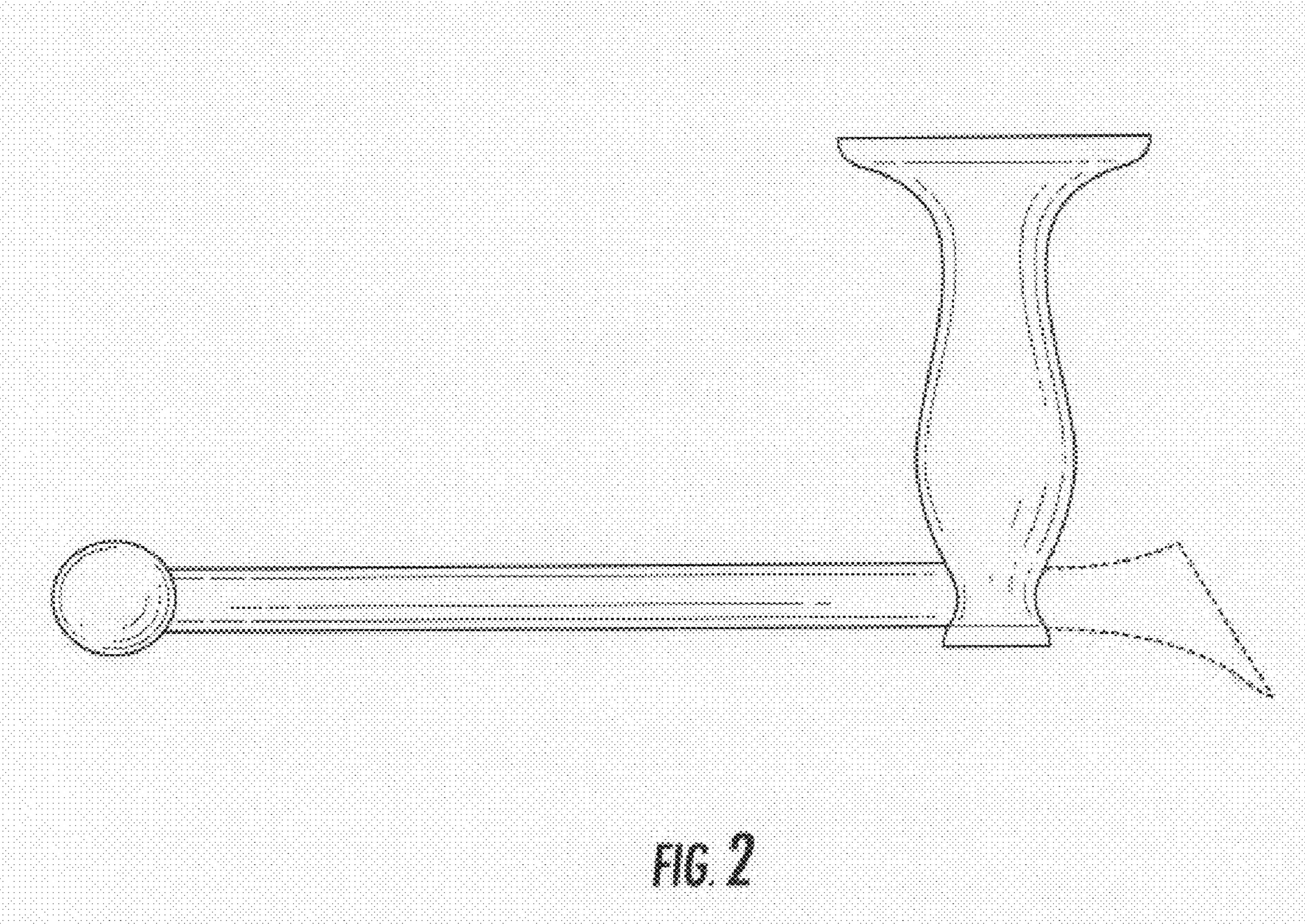
FIG. 6 is a left side elevational view thereof.

The broken lines in the Figures are for illustrative purposes only and form no part of the claimed design.

**1 Claim, 6 Drawing Sheets**







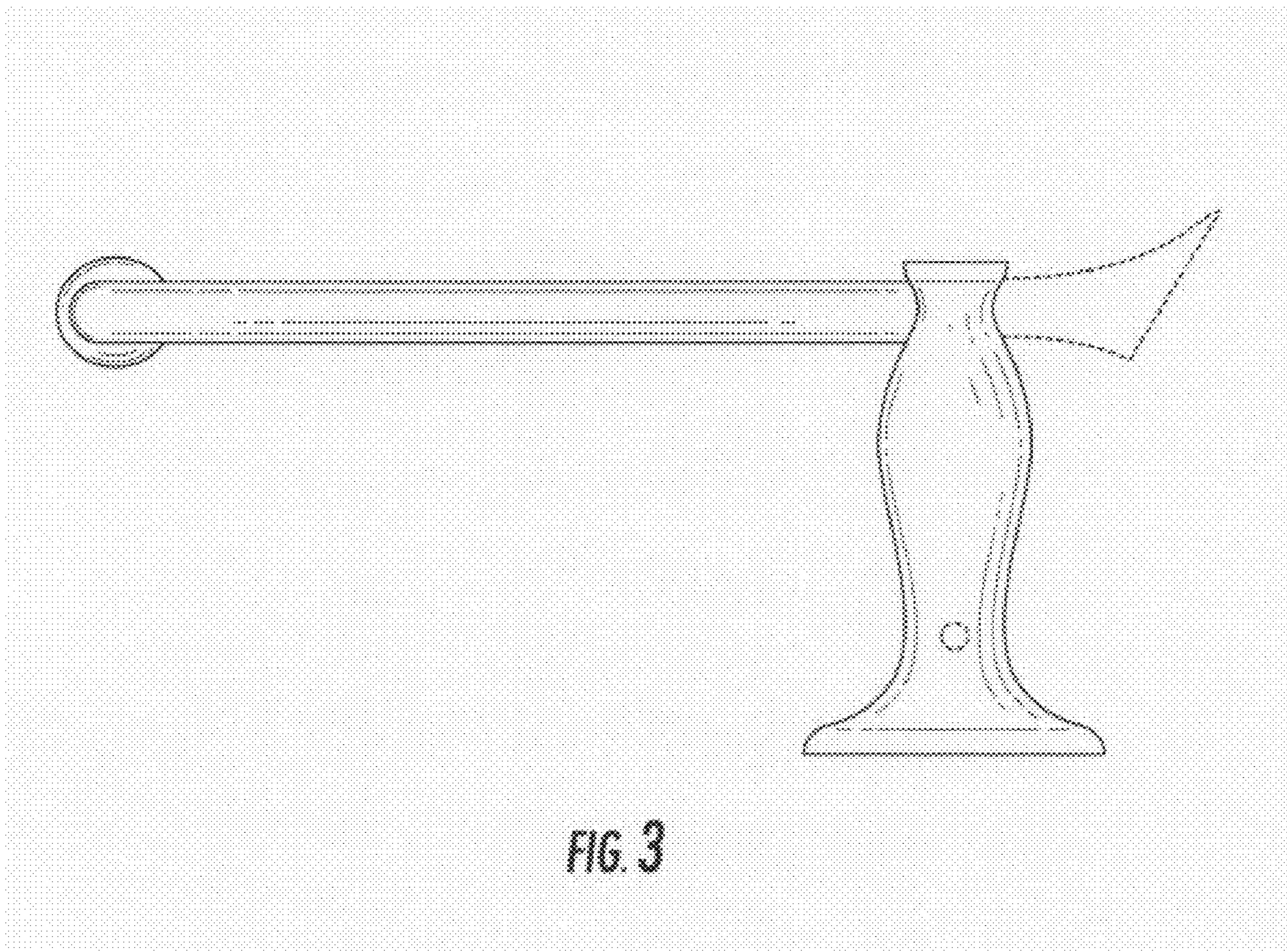
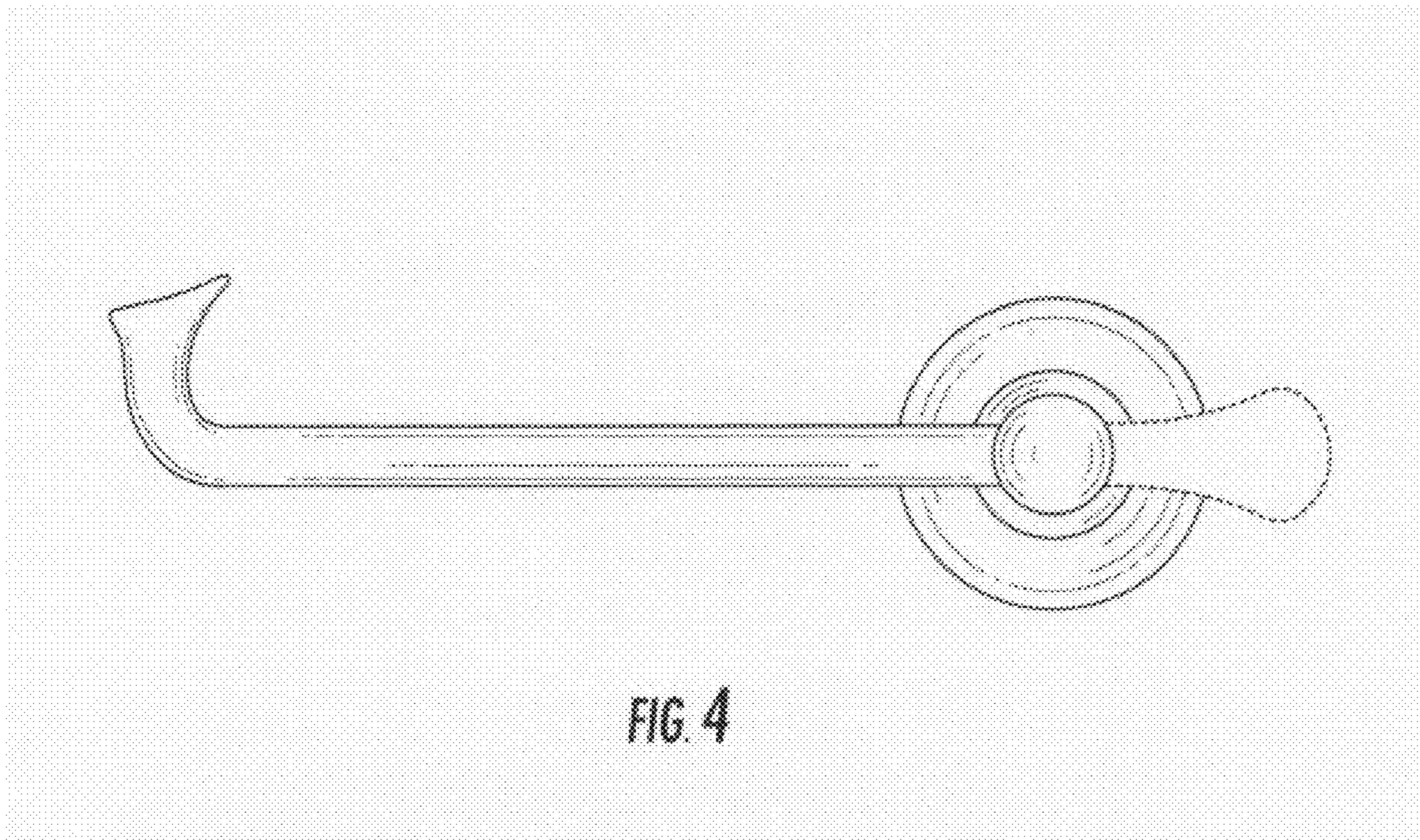


FIG. 3



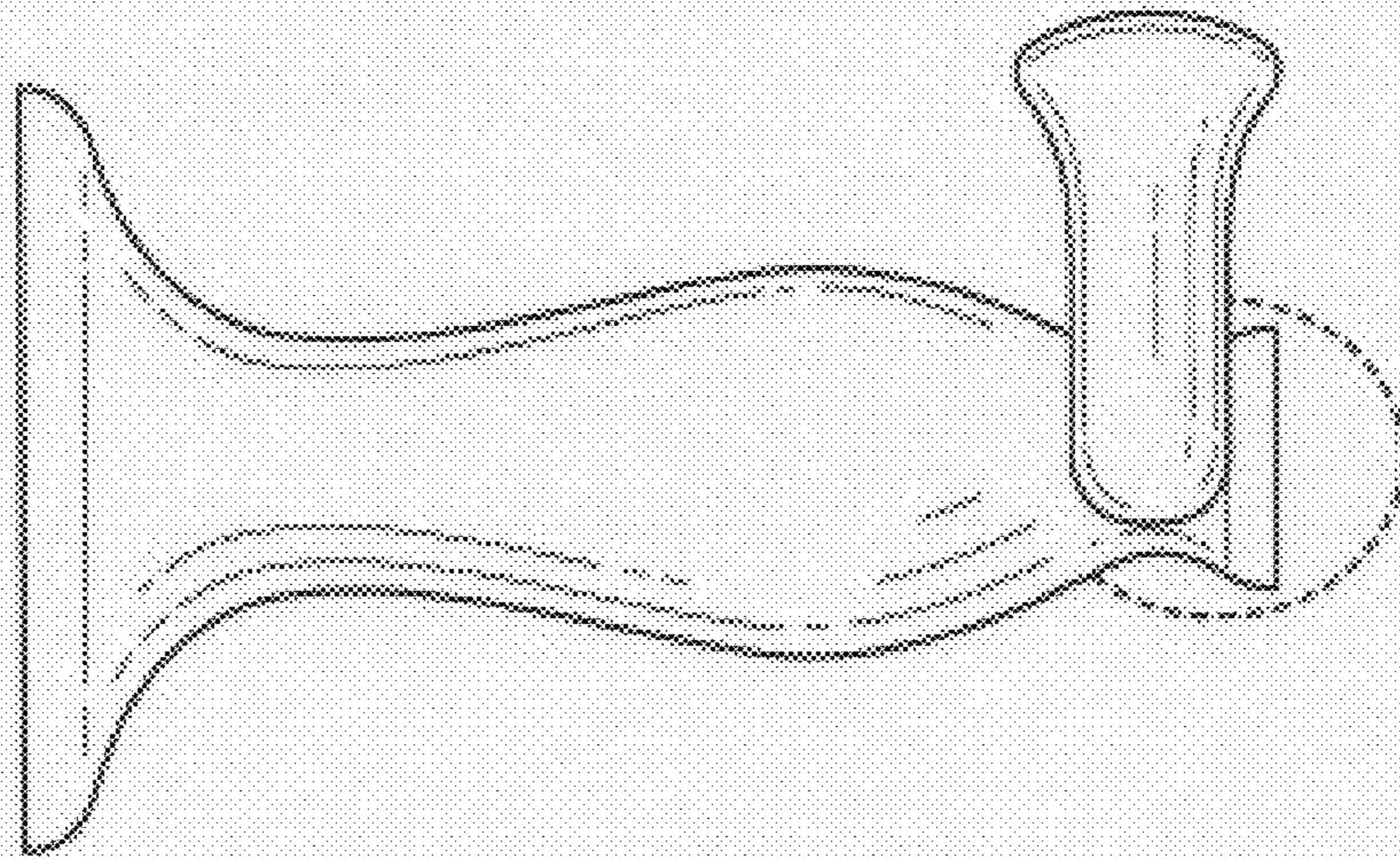


FIG. 5

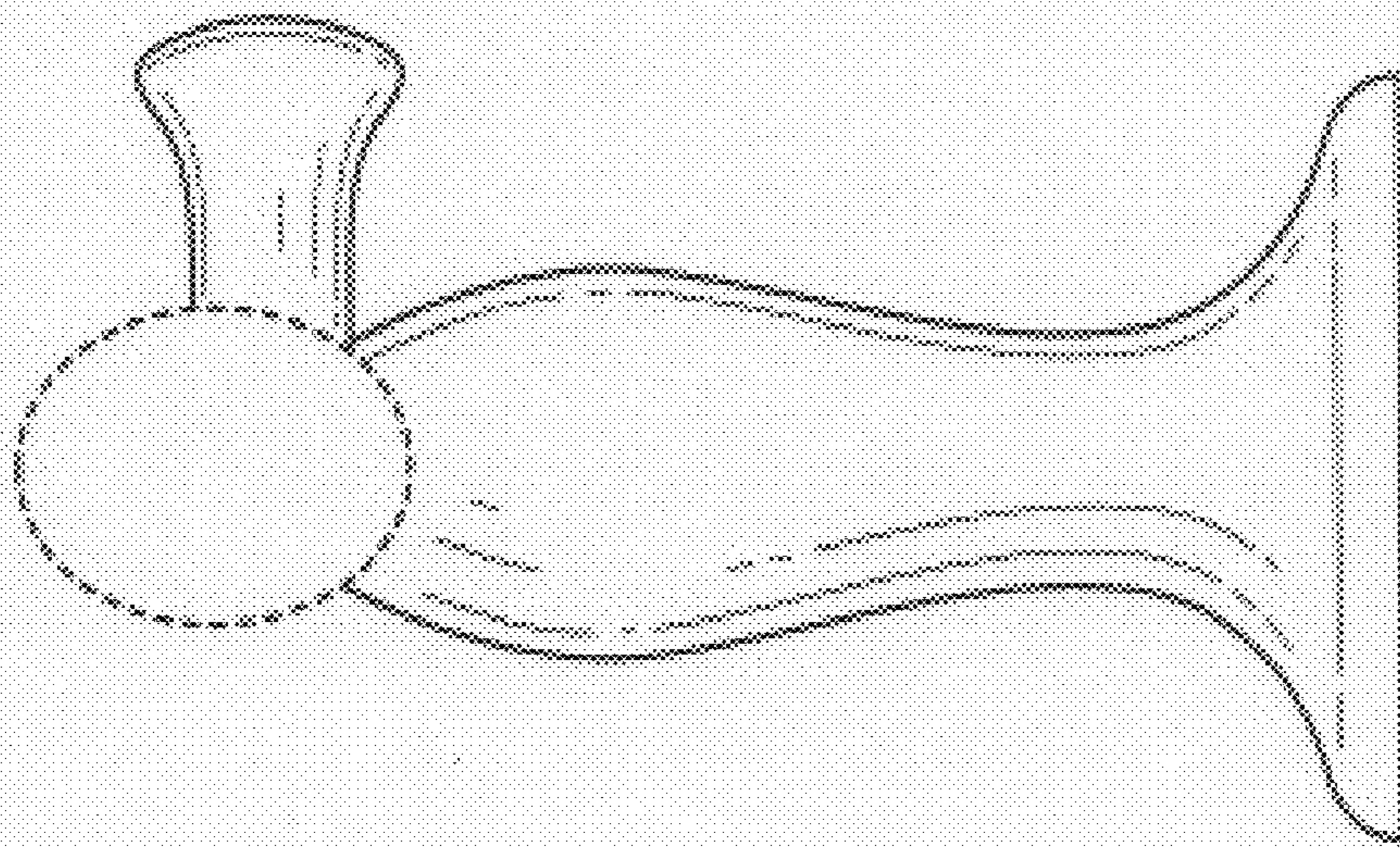


FIG. 6