



US00D562604S

(12) **United States Design Patent**  
**Ohwaki**

(10) **Patent No.:** **US D562,604 S**  
(45) **Date of Patent:** **\*\* Feb. 26, 2008**

(54) **PORTION OF A TOILET PAPER DISPENSER**

D522,294 S \* 6/2006 Ferrer Beltran ..... D6/523

(76) Inventor: **Hideji Ohwaki**, 779-3, Aza kamisal  
touji, Oaza shimoda, Shippou-cho,  
Ama-gun, Aichi (JP) 497-0012

\* cited by examiner

*Primary Examiner*—Brian N Vinson  
(74) *Attorney, Agent, or Firm*—Apex Juris, pllc; Tracy M  
Heims

(\*\*) Term: **14 Years**

(21) Appl. No.: **29/248,360**

(57) **CLAIM**

(22) Filed: **Aug. 11, 2006**

The ornamental design for a portion of a portion of a toilet  
paper dispenser, as shown and described.

(30) **Foreign Application Priority Data**

**DESCRIPTION**

Apr. 26, 2006 (JP) ..... 2006-010782

(51) **LOC (8) Cl.** ..... **23-02**

(52) **U.S. Cl.** ..... **D6/523**

(58) **Field of Classification Search** ..... D6/518–523;  
206/389; 221/282–283; 312/34.8; 242/570,  
242/590, 560, 598

FIG. 1 is a front elevational view of a portion of a toilet  
paper dispenser showing my new design;

FIG. 2 is a rear elevational view thereof;

FIG. 3 is a left side elevational view thereof, with the right  
side view being a mirror image of the left;

FIG. 4 is a top plan view thereof;

FIG. 5 is a bottom plan view thereof;

FIG. 6 is a vertical cross-section view thereof, taken along  
line A—A of FIG. 1;

FIG. 7 is a perspective view thereof; and,

FIG. 8 is an additional left side view thereof. The broken-  
line disclosure in the views is for illustrative purposes only  
and forms no part of the claimed design.

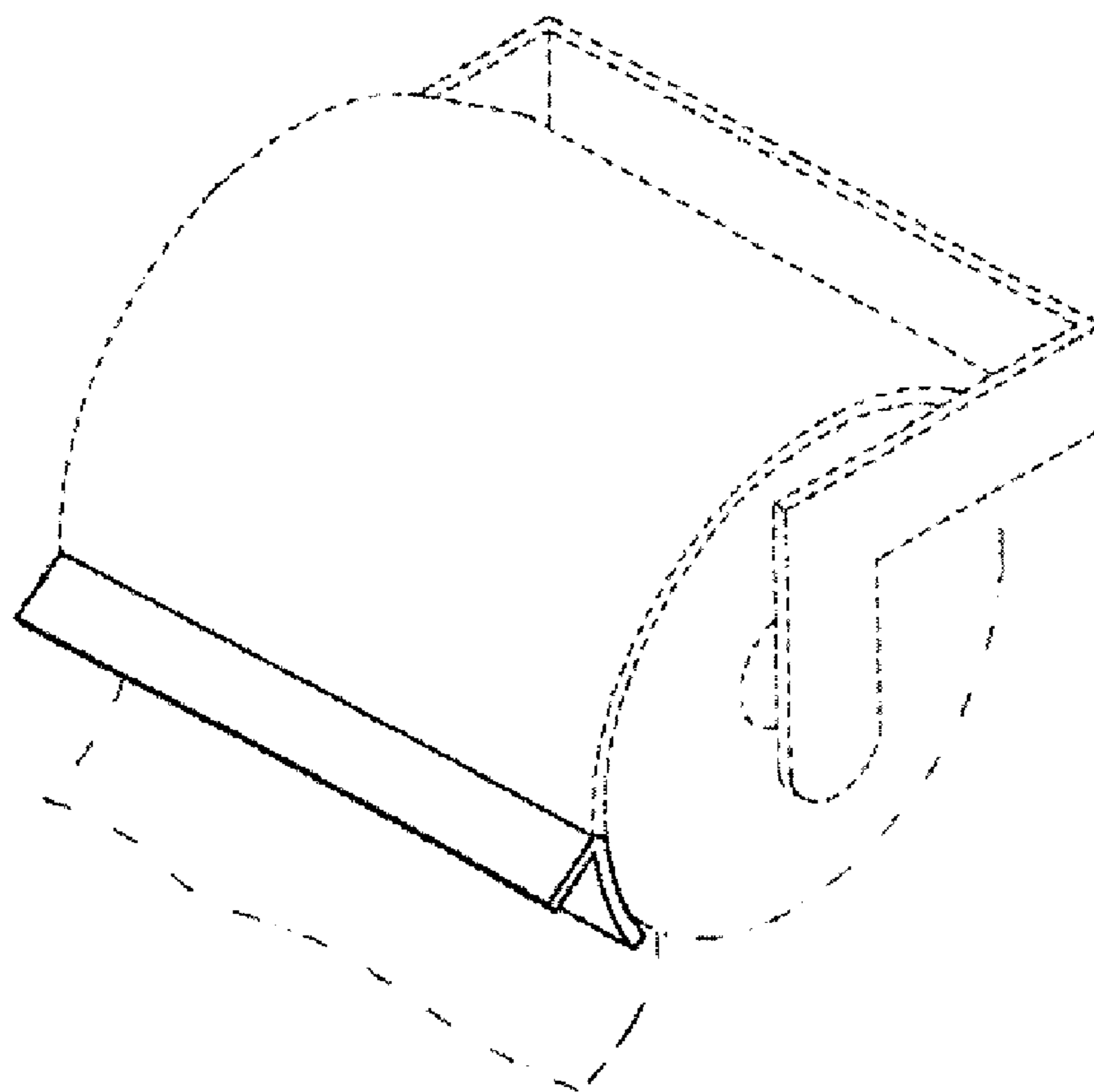
See application file for complete search history.

(56) **References Cited**

**1 Claim, 4 Drawing Sheets**

**U.S. PATENT DOCUMENTS**

- D365,702 S \* 1/1996 Hall ..... D6/523
- D393,770 S \* 4/1998 Daly ..... D6/523
- D438,414 S \* 3/2001 Miller ..... D6/523
- D462,551 S \* 9/2002 Mayer ..... D6/523
- 6,631,869 B1 \* 10/2003 Kang ..... D6/523
- D521,288 S \* 5/2006 Barry ..... D6/523



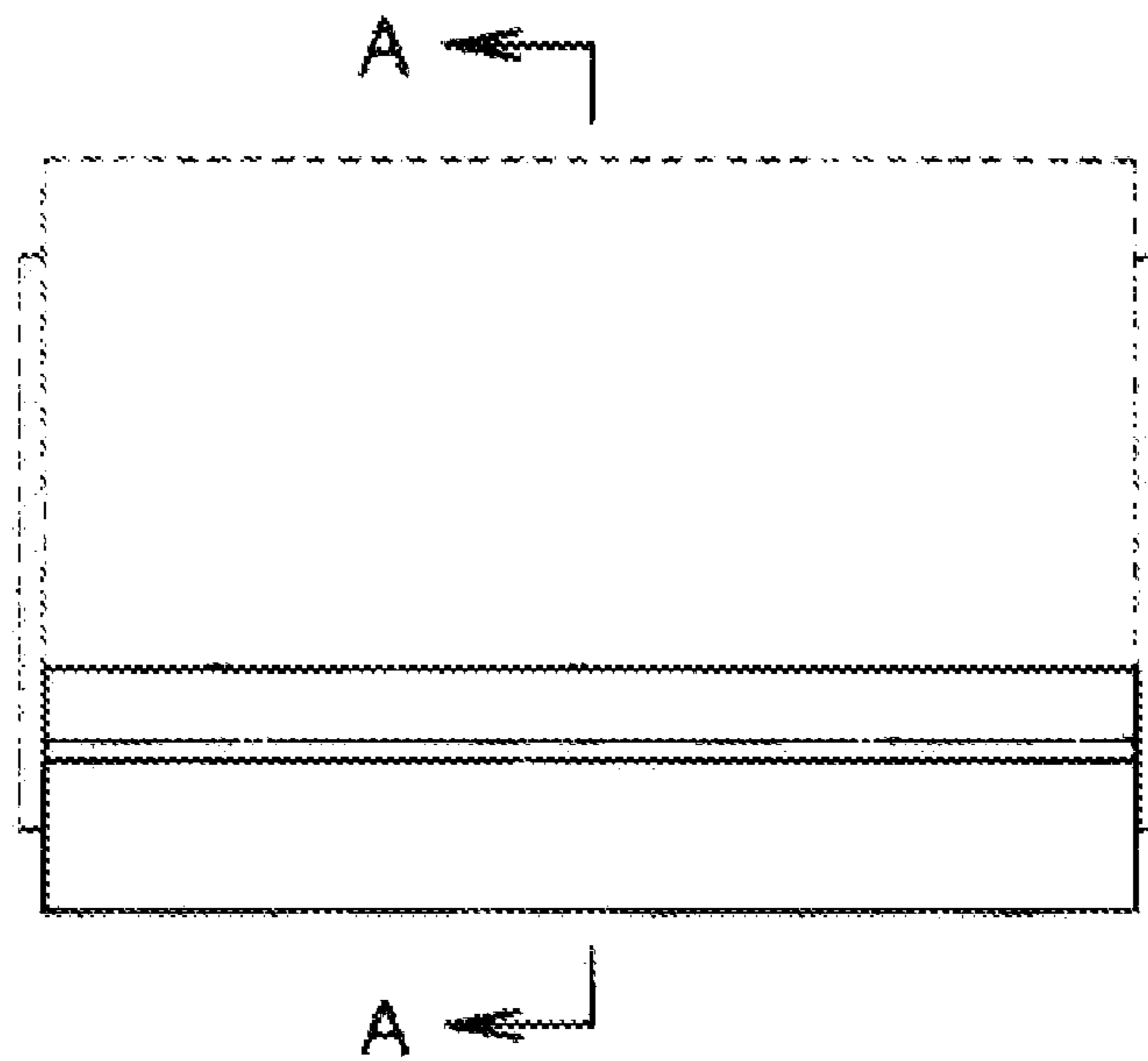


FIG. 1

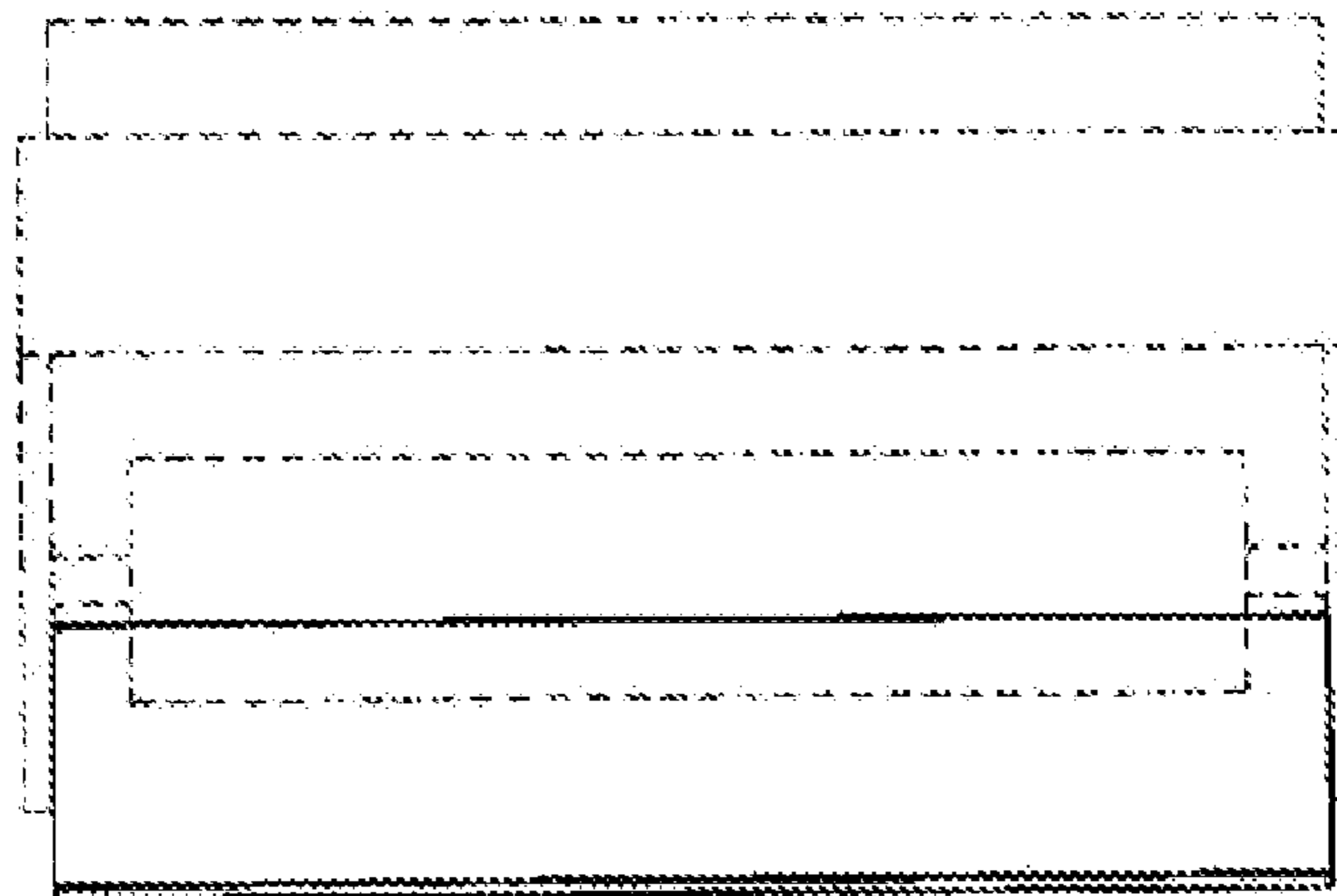


FIG. 2

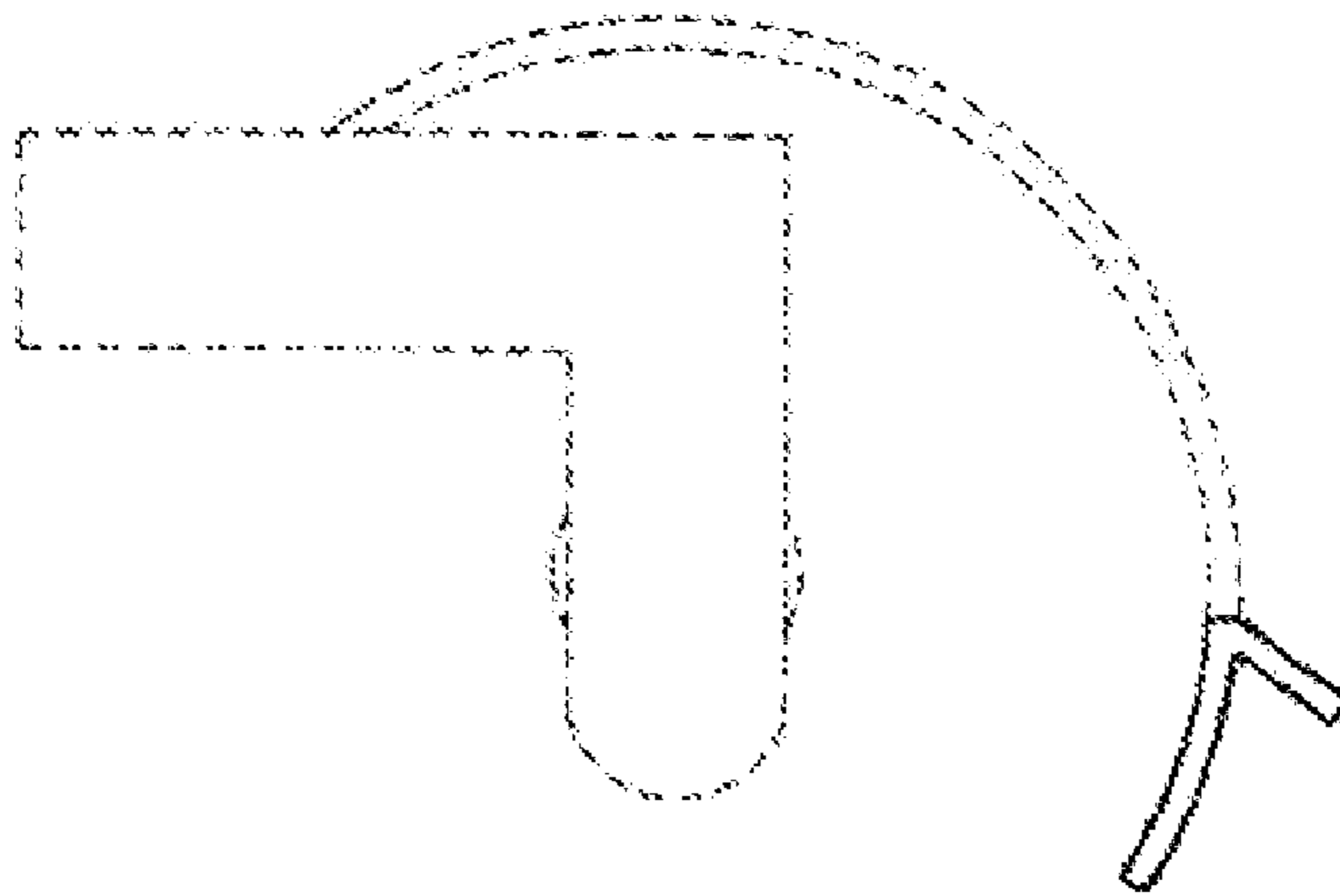


FIG. 3

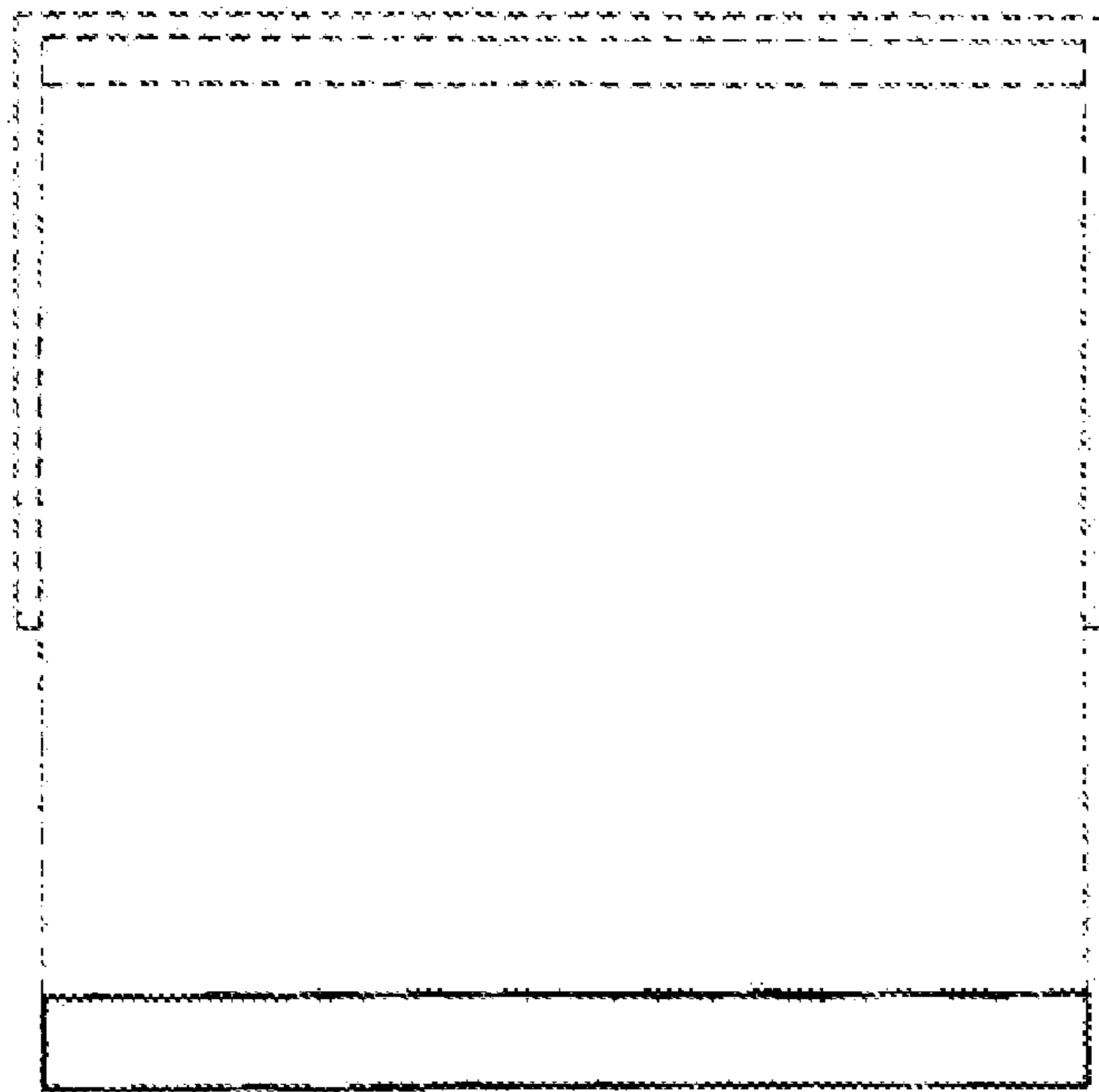


FIG. 4

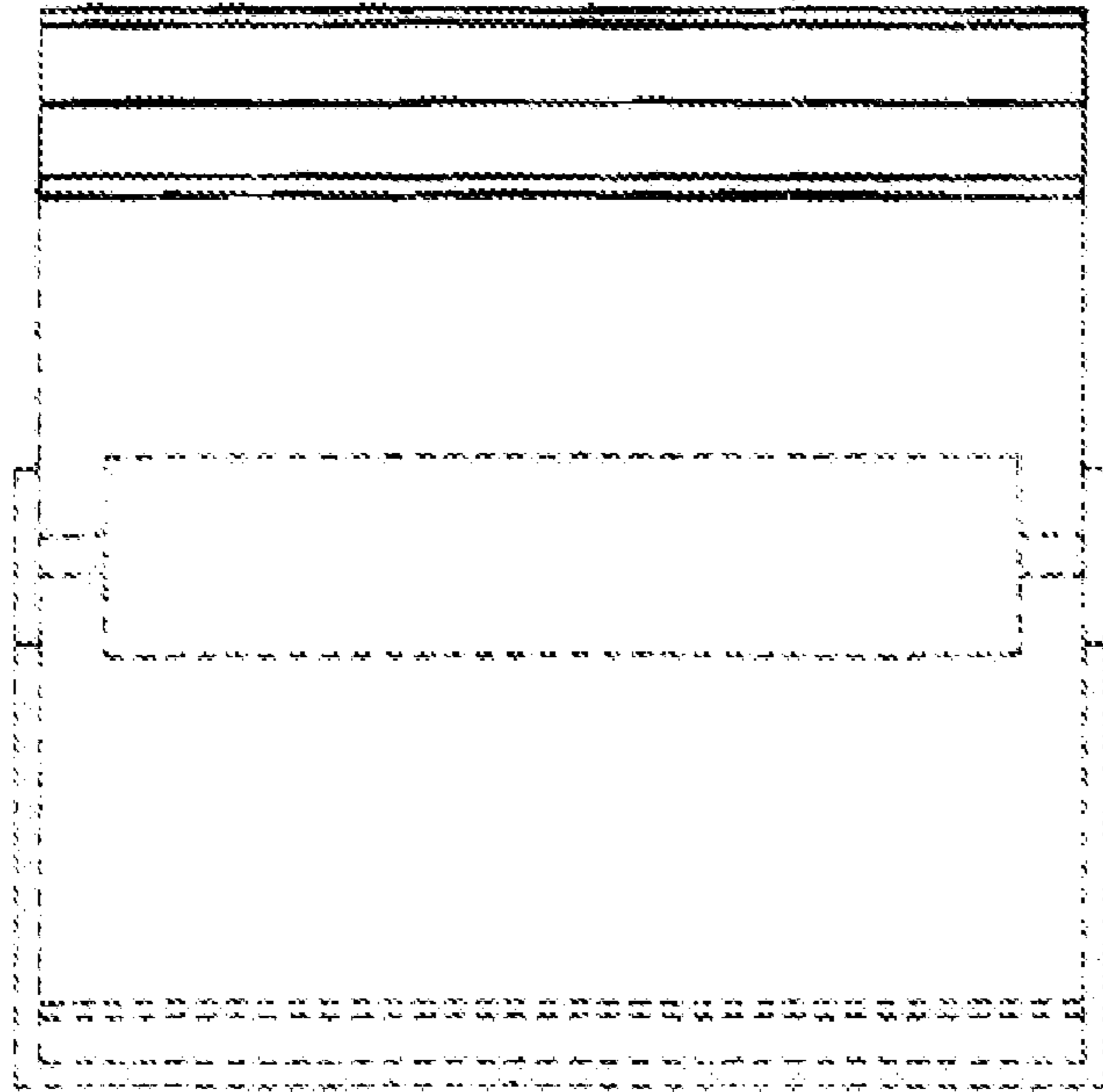


FIG. 5

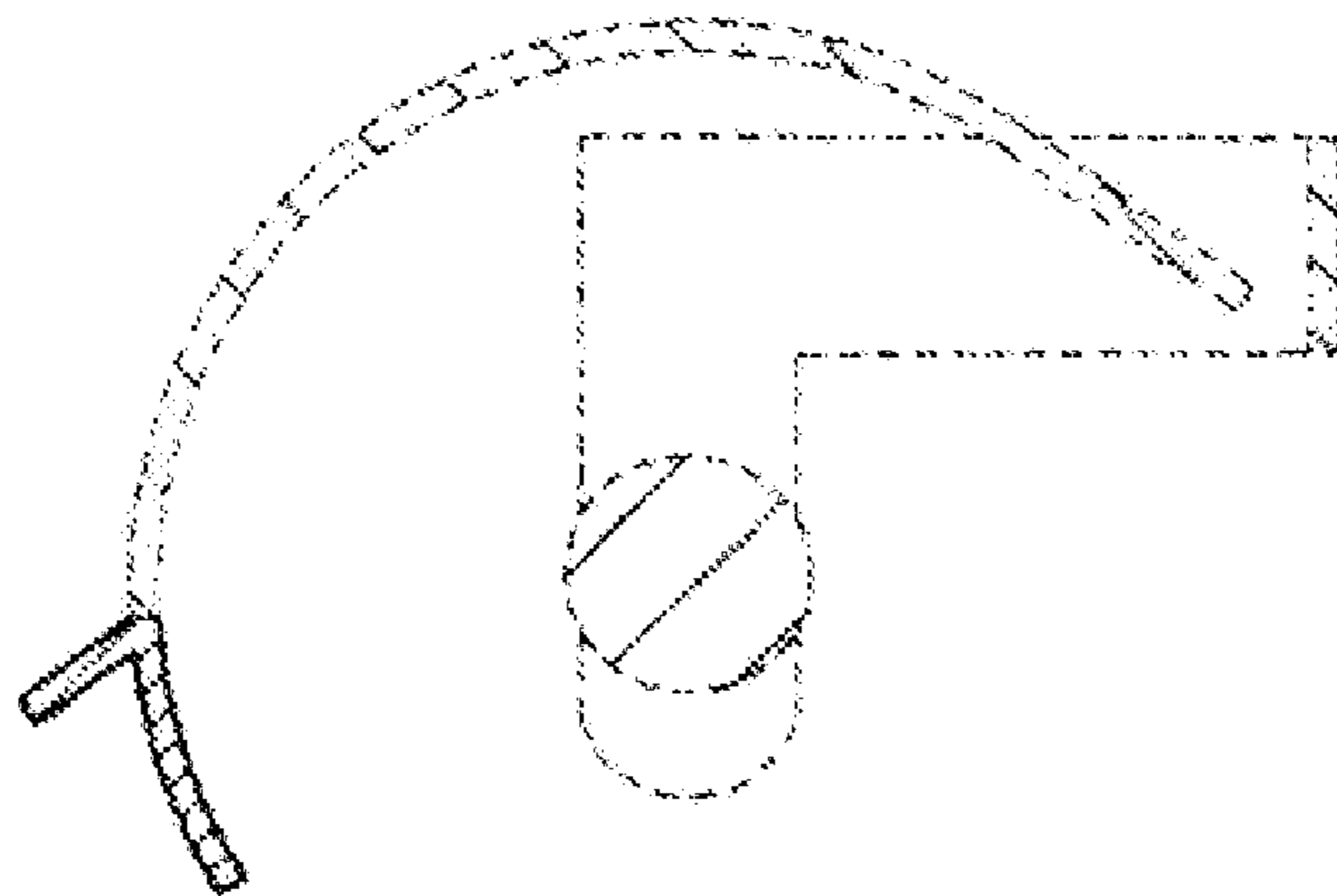


FIG. 6

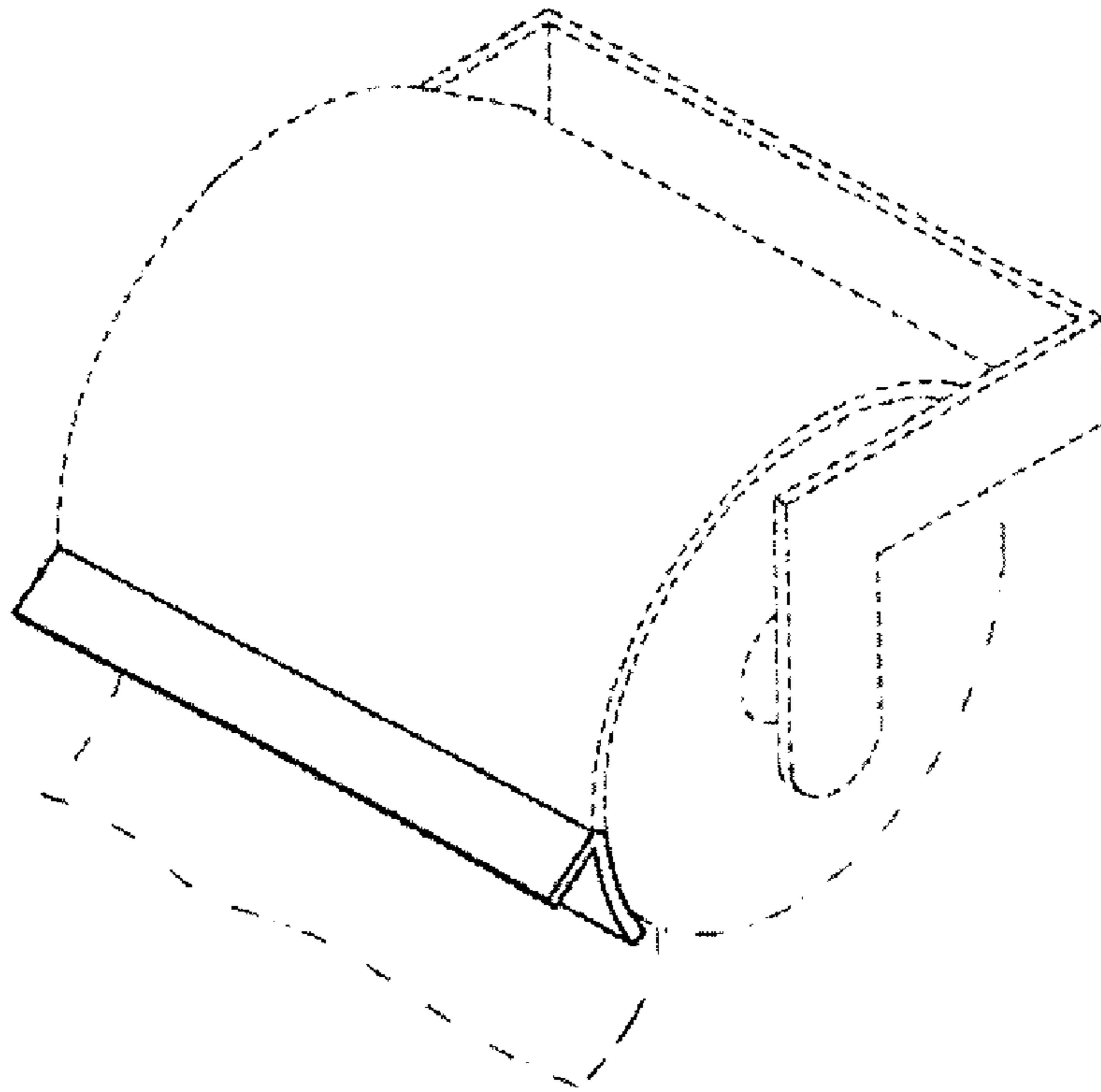


FIG. 7

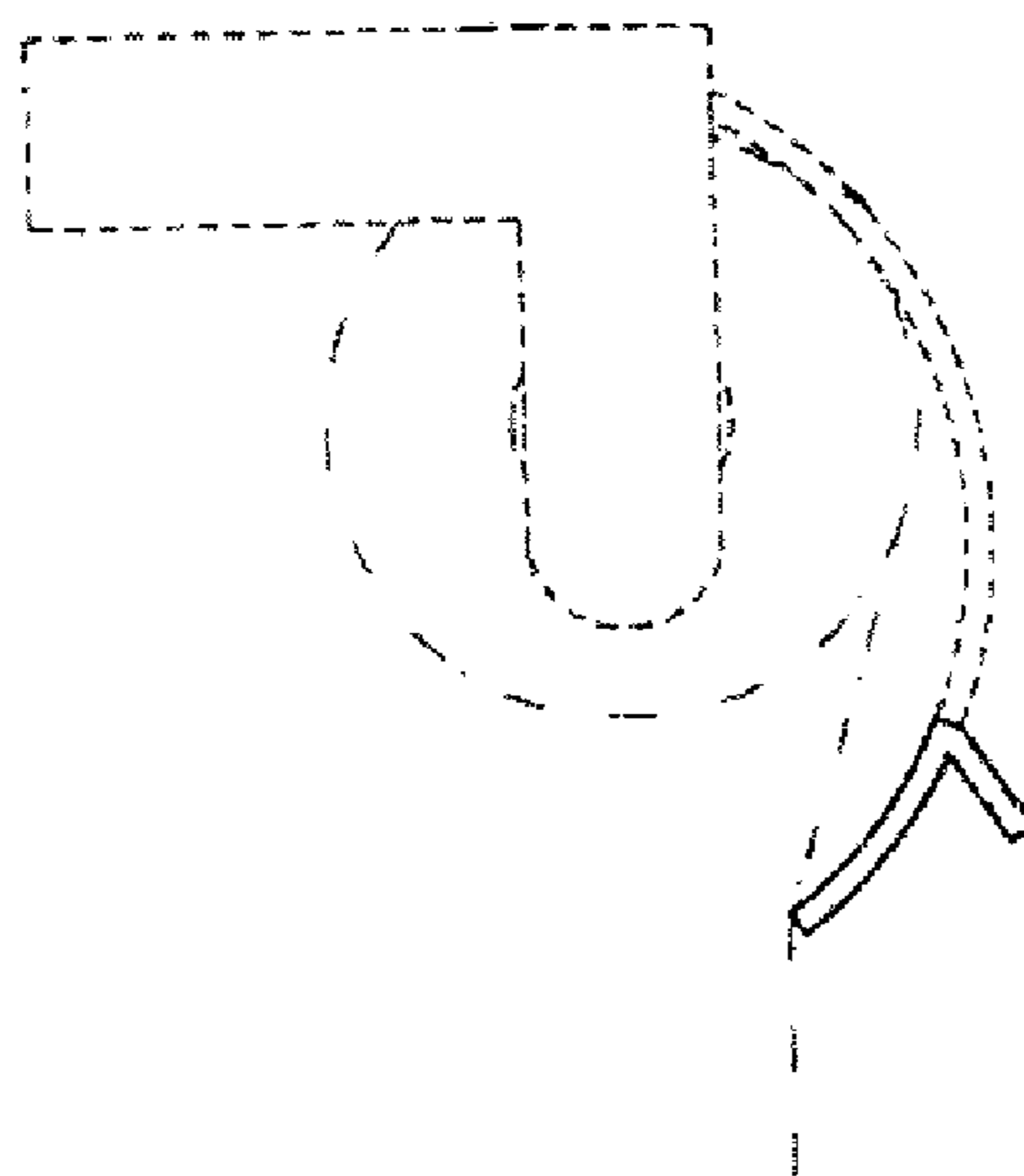


FIG. 8