



US00D562599S

(12) **United States Design Patent**
Everson et al.

(10) **Patent No.:** **US D562,599 S**

(45) **Date of Patent:** **** Feb. 26, 2008**

(54) **TABLE**

D532,220 S * 11/2006 Domack et al. D6/480

(75) Inventors: **Terry A. Everson**, Blair, WI (US);
Randy D. Domack, Trempealeau, WI (US)

(73) Assignee: **Ashley Furniture Industries, Inc.**,
Arcadia, WI (US)

(**) Term: **14 Years**

(21) Appl. No.: **29/238,231**

(22) Filed: **Sep. 12, 2005**

(51) **LOC (8) Cl.** **06-03**

(52) **U.S. Cl.** **D6/486**

(58) **Field of Classification Search** D6/480-489,
D6/495-499, 511, 429-431; 108/150, 153.1,
108/155, 156, 161, 83; 248/188, 188.1, 188.8
See application file for complete search history.

(56) **References Cited**

U.S. PATENT DOCUMENTS

- D403,183 S * 12/1998 Lewis D6/486
- D431,132 S * 9/2000 Lewis D6/486
- D448,951 S * 10/2001 O'Hare et al. D6/480
- D461,070 S * 8/2002 Diaz-Azcuy D6/495

OTHER PUBLICATIONS

Ashley Product Catalog, Spring 2003, vol. 5, Series 1, Loring
T217-13-4, p. 179.

Dakota Jackson, Heraldic Tapered Bass Dining Table, 2001, 1 page.

* cited by examiner

Primary Examiner—Janice E. Seeger

(74) *Attorney, Agent, or Firm*—Patterson, Thuente, Skaar &
Christensen, P.A.

(57) **CLAIM**

We claim the ornamental design for a table, as shown and
described.

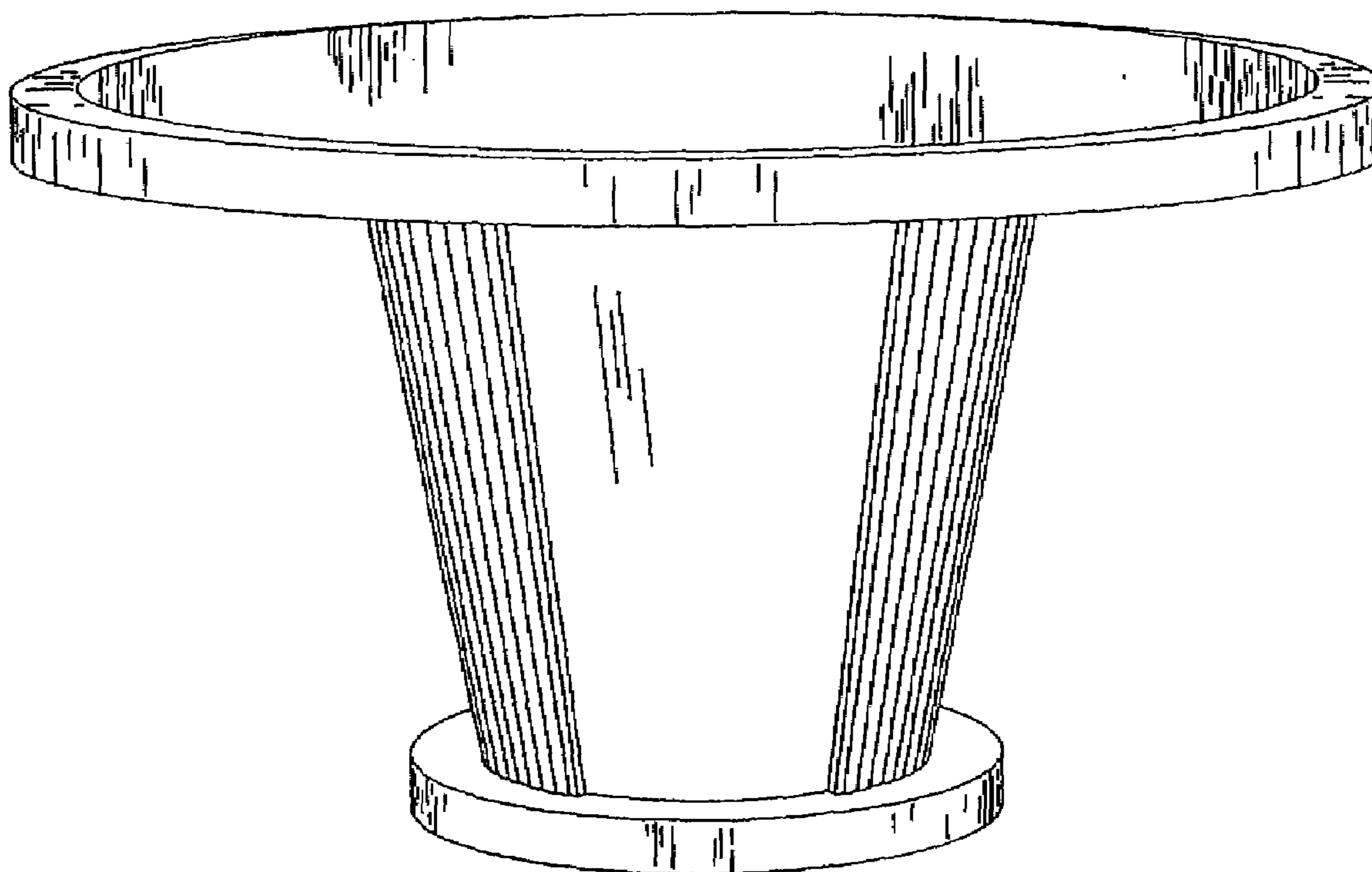
DESCRIPTION

FIG. 1 is a front perspective view of a table according to an
embodiment of the invention.

FIG. 2 is a side view of a table according to an embodiment
of the invention, the opposite side being a mirror image
thereof; and,

FIG. 3 is a top plan view of a table according to an
embodiment of the invention.

1 Claim, 2 Drawing Sheets



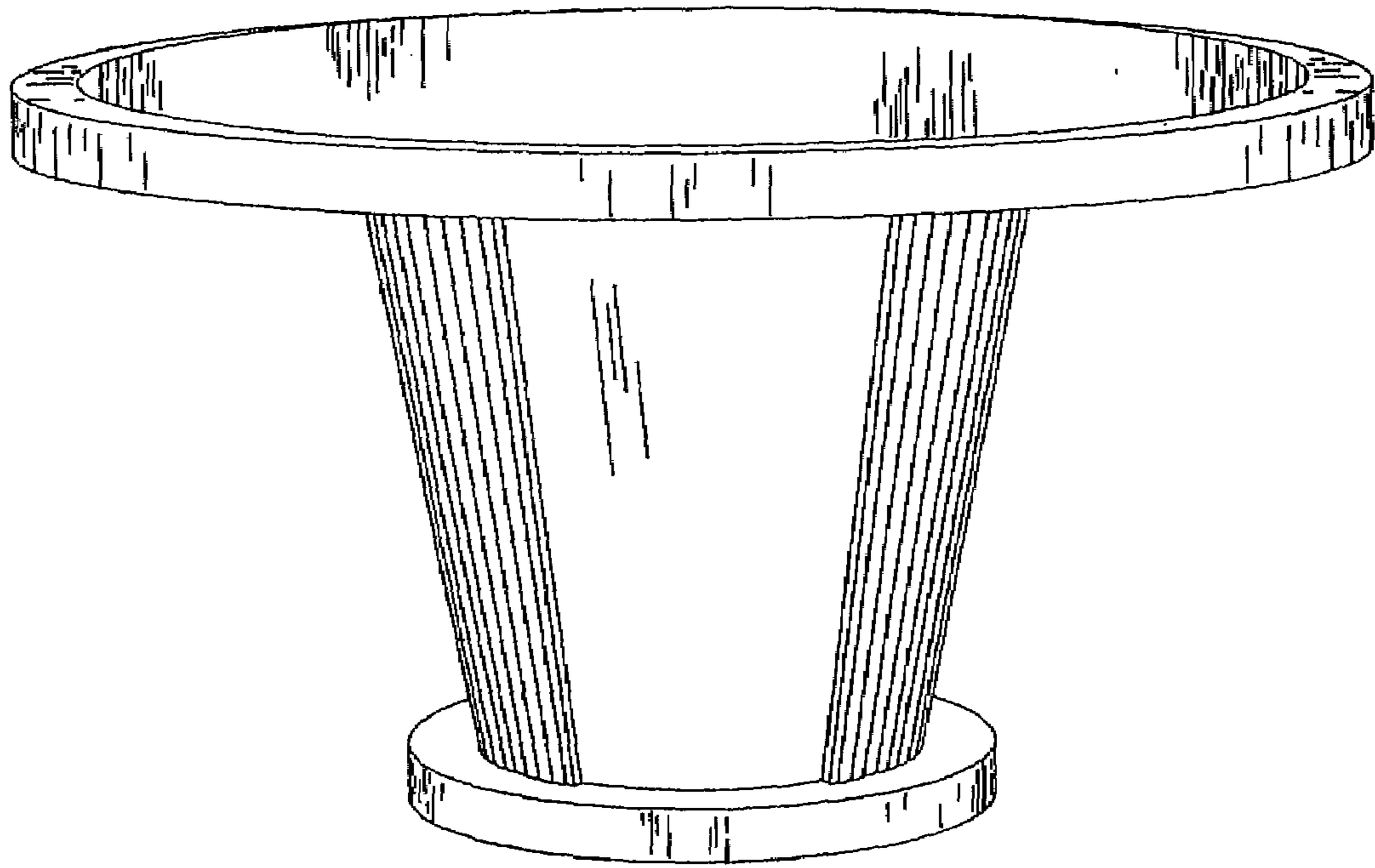


Fig. 1

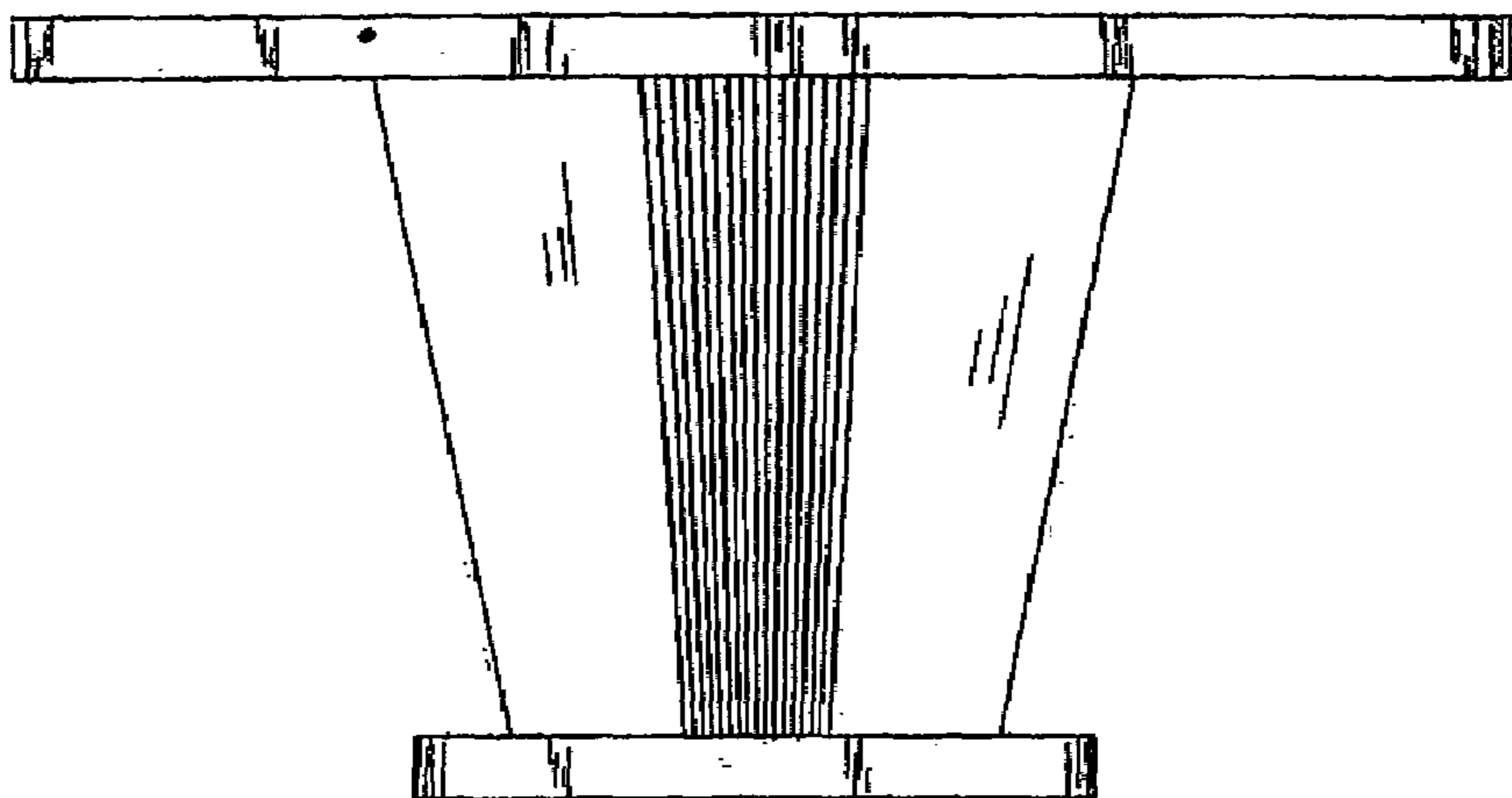


Fig. 2

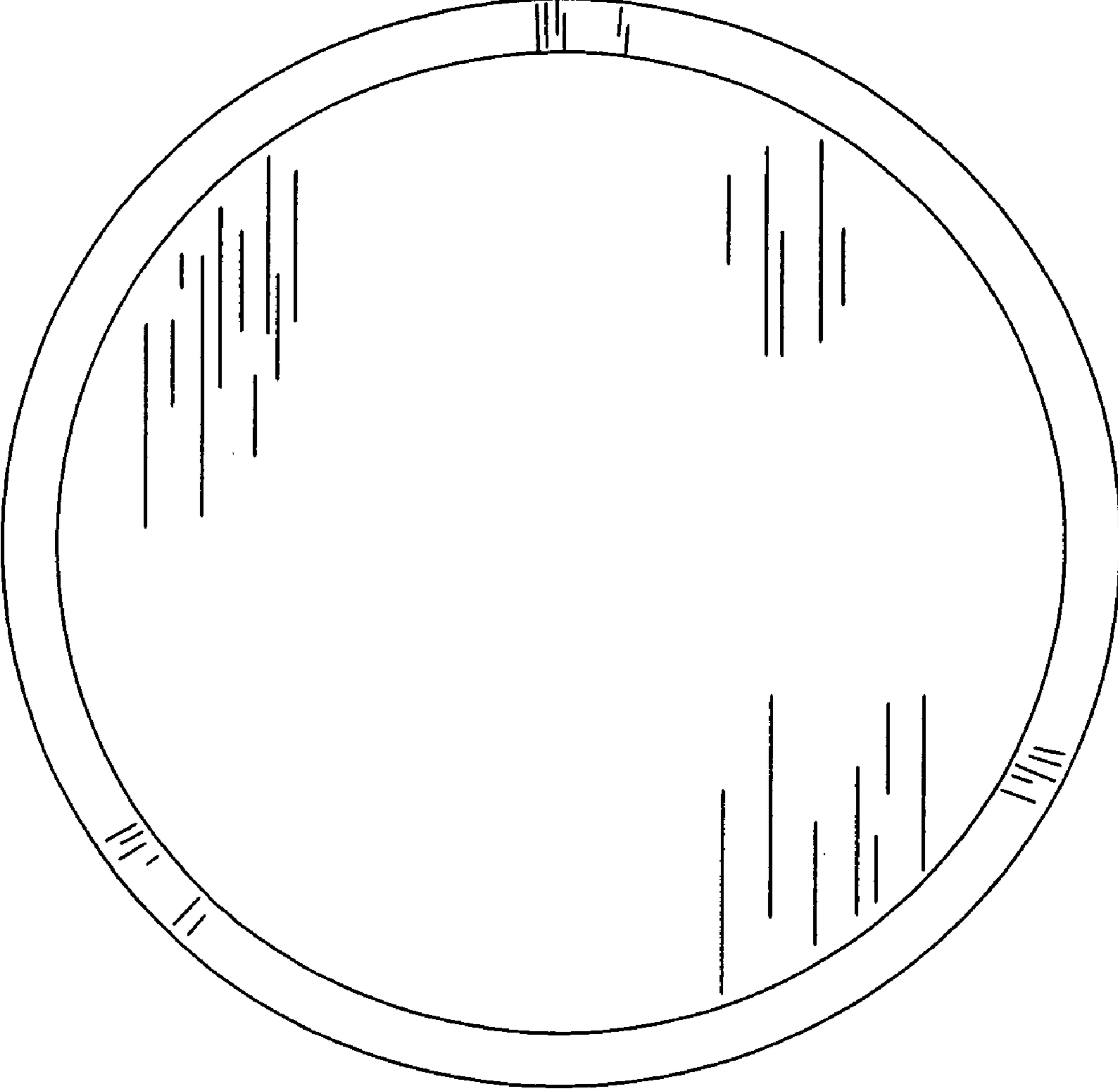


Fig. 3