



US00D562597S

(12) **United States Design Patent**
Weatherly

(10) **Patent No.:** **US D562,597 S**

(45) **Date of Patent:** **** Feb. 26, 2008**

- (54) **CABINET FOR AUDIO/VIDEO COMPONENTS**
- (75) Inventor: **Matthew Weatherly**, Fairfax, VA (US)
- (73) Assignee: **Becker Designed, Inc.**, Chantilly, VA (US)
- (**) Term: **14 Years**
- (21) Appl. No.: **29/280,610**
- (22) Filed: **Jun. 1, 2007**
- (51) **LOC (8) Cl.** **06-04**
- (52) **U.S. Cl.** **D6/479**
- (58) **Field of Classification Search** D6/477-479,
D6/460-461, 468, 470, 473-474, 442; 108/91-92,
108/59, 96; 211/135; D14/239; 312/7.2,
312/114, 117-118

See application file for complete search history.

(56) **References Cited**

U.S. PATENT DOCUMENTS

D46,248 S	8/1914	Curtis	
D259,316 S	5/1981	Offredi	
D271,733 S	12/1983	Daventry	
D301,419 S	6/1989	Rosen	
D347,753 S	6/1994	Pauer et al.	
D365,472 S	12/1995	Rehnberg	
D378,717 S	4/1997	Lenger	
D400,732 S	11/1998	Paus	
D446,047 S	8/2001	Stone et al.	
D446,405 S	8/2001	Sabo et al.	
D448,203 S	9/2001	Jeup	
D450,488 S	11/2001	Stone et al.	
D455,027 S	4/2002	Hokanson	
D462,008 S	8/2002	Stone et al.	
D499,274 S	12/2004	Juneau et al.	
D499,582 S	12/2004	McDiarmid	
D519,299 S *	4/2006	Boudreau	D6/436
D522,773 S	6/2006	Becker	
D528,827 S	9/2006	Becker	
D543,728 S *	6/2007	Becker et al.	D6/470
D548,488 S *	8/2007	Weatherly	D6/470
D548,490 S *	8/2007	Becker et al.	D6/470
D554,393 S *	11/2007	Yalif	D6/470

OTHER PUBLICATIONS

- U.S. Appl. No. 29/249,948, filed Oct. 27, 2006, Matthew Weatherly.
- U.S. Appl. No. 29/279,362, filed Apr. 27, 2007, Louis Lara.

- U.S. Appl. No. 29/280,701, filed Jun. 5, 2007, Matthew Weatherly.
- Ikea, Bonde Sideboard, p. 65, 2002.
- Ikea Kitchen Catalog, Varde Counter Storage Unit (#4), p. 30, 2002.
- Ikea, Varde Counter Storage Unit, p. 129, 2003.
- Furniture Today, Ampag Curio, p. 222, Oct. 14, 2002.
- Furniture Today, Ampag Chest, p. 131, Apr. 1, 2003.
- Soundwood Furniture model SW81 audio/video cabinet—on sale at least as early as Sep. 7, 2005.

* cited by examiner

Primary Examiner—Elizabeth A. Albert
Assistant Examiner—Kelley A. Donnelly
(74) *Attorney, Agent, or Firm*—Design IP

(57) **CLAIM**

The ornamental design for a cabinet for audio/video components, as shown and described.

DESCRIPTION

FIG. 1 is a perspective view of a cabinet for audio/video components showing my new design;

FIG. 2 is a front orthographic view thereof;

FIG. 3 is a top orthographic view thereof;

FIG. 4 is a left side orthographic view thereof, the right side view being a mirror image;

FIG. 5 is a perspective view of a second embodiment of my design;

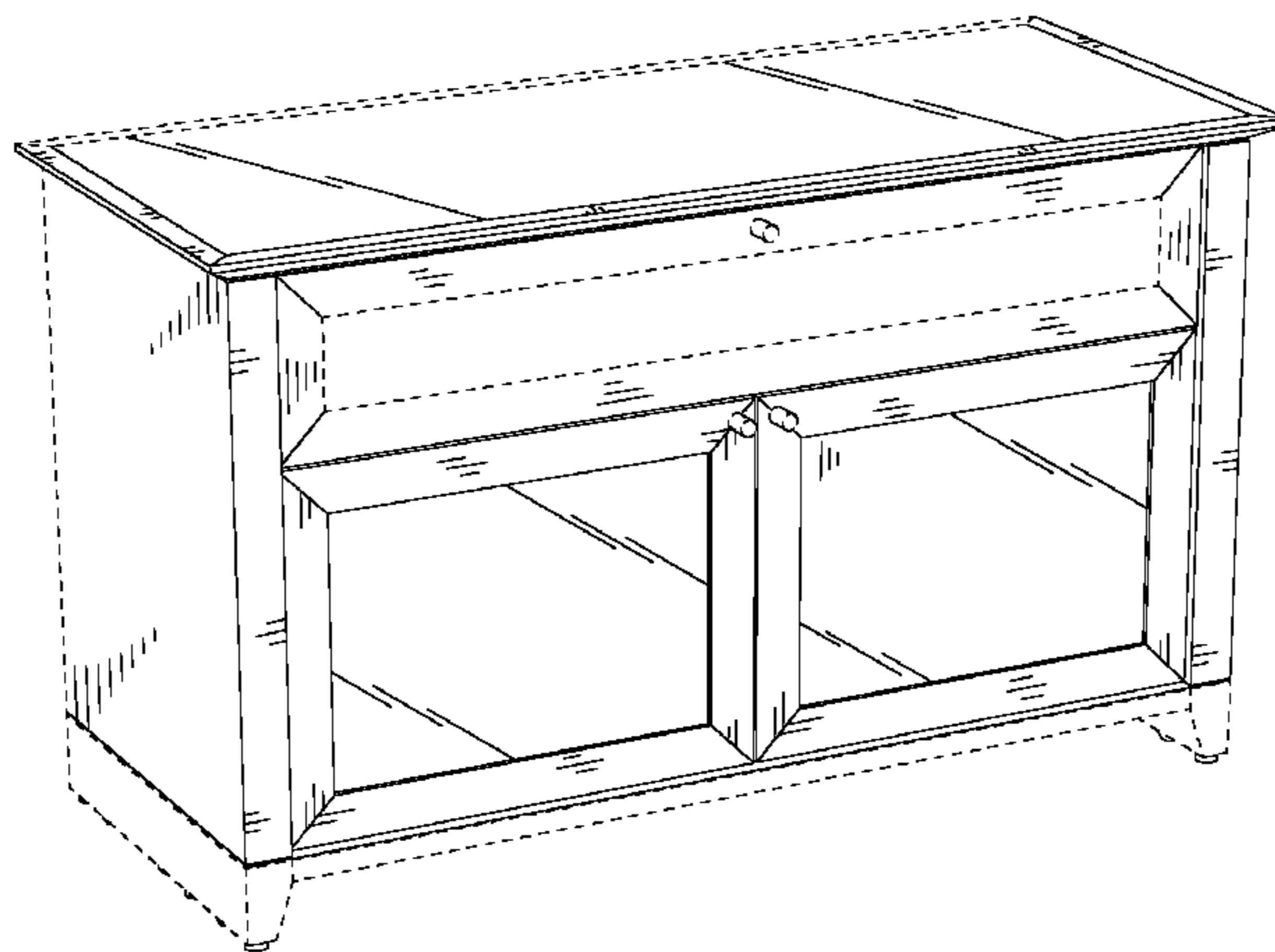
FIG. 6 is a front orthographic view thereof;

FIG. 7 is a top orthographic view thereof; and,

FIG. 8 is a left side orthographic view thereof, the right side view being a mirror image.

The rear and bottom views are omitted and form no part of the claimed design. The broken lines shown in FIGS. 1-8 are included for the purpose of illustrating environmental elements only and form no part of the claimed design. The dotted lines shown in FIGS. 5 and 7 represent an unclaimed border between claimed and unclaimed subject matter and forms no part of the claimed design.

1 Claim, 8 Drawing Sheets



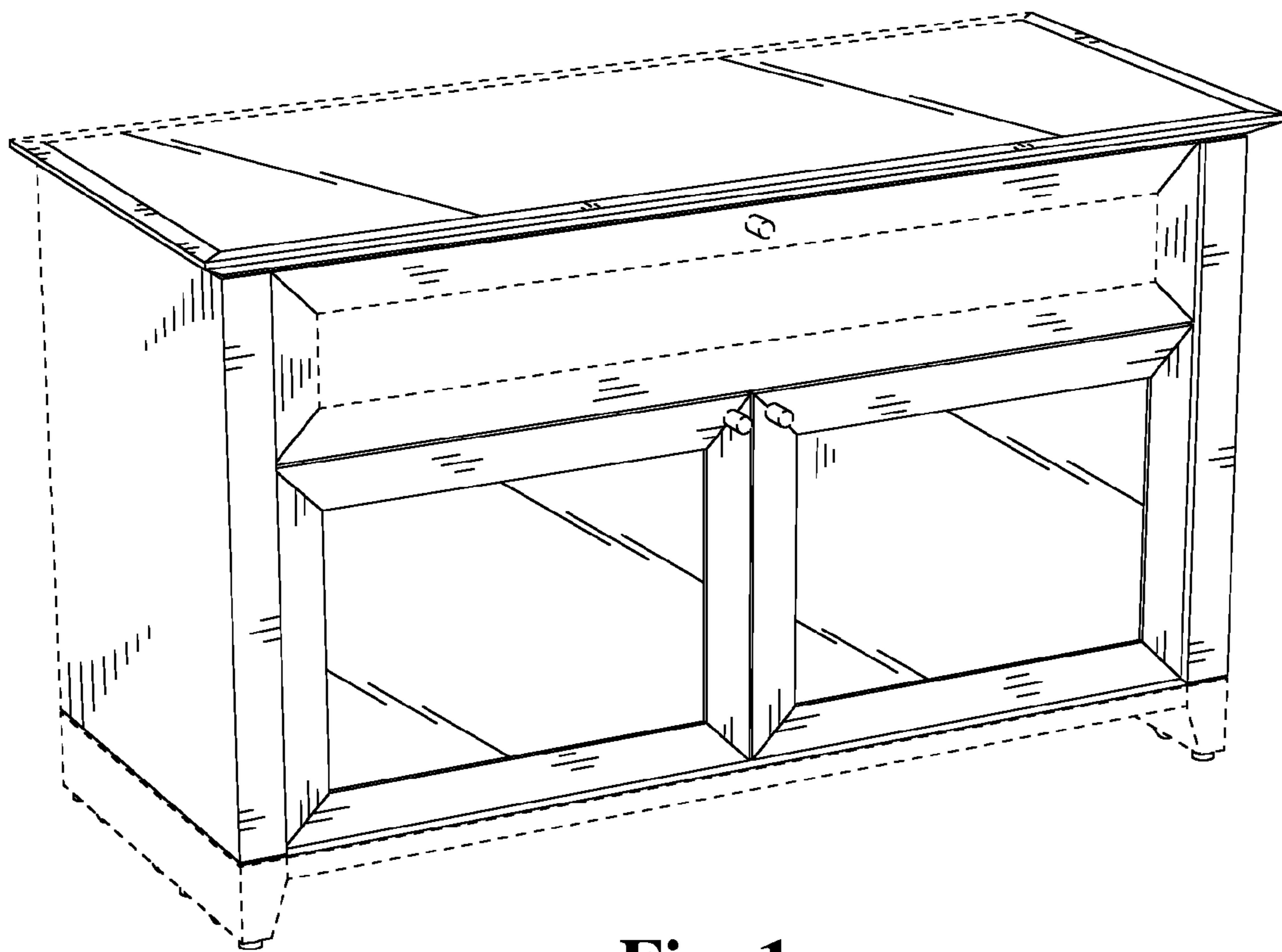


Fig. 1

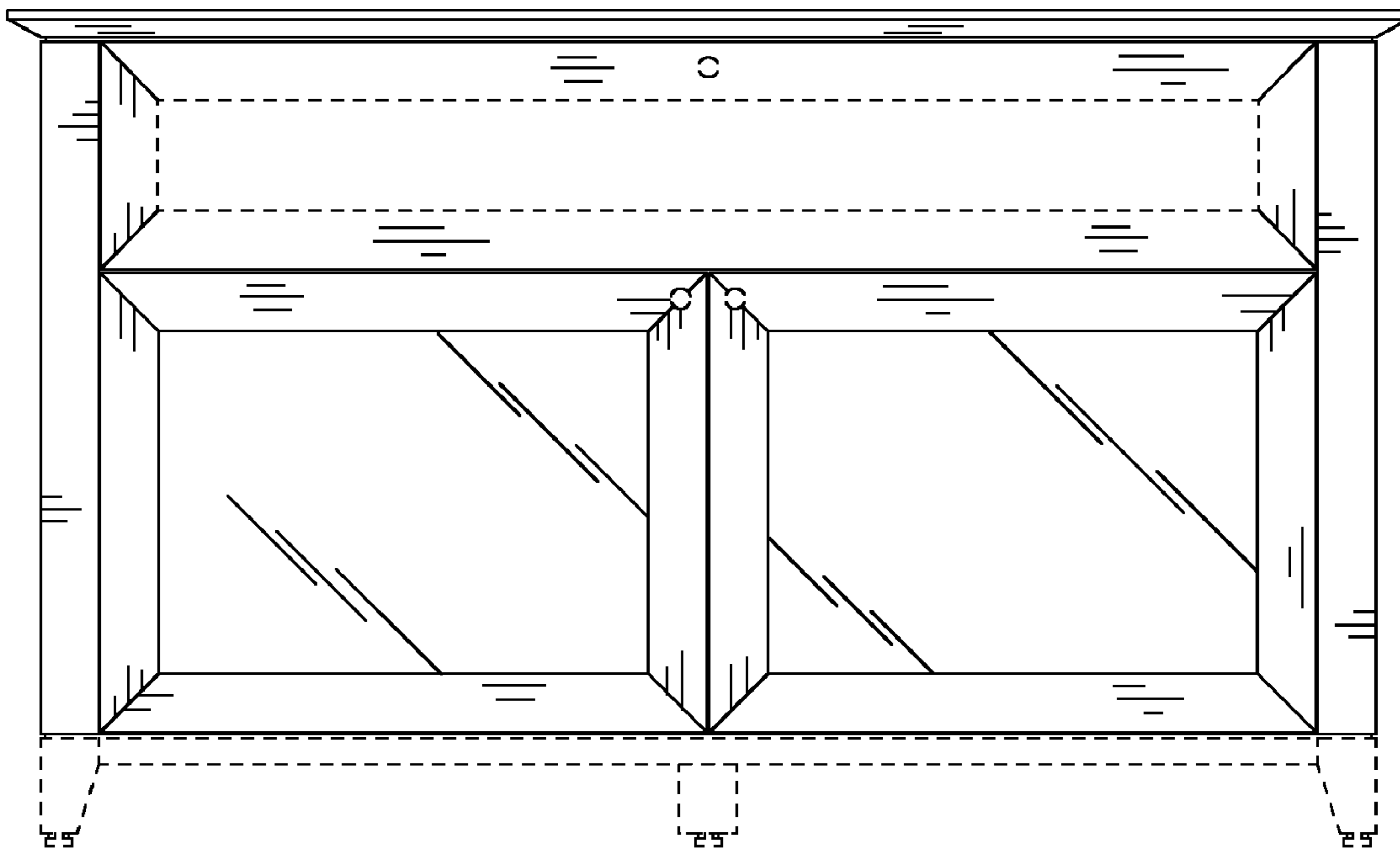


Fig. 2

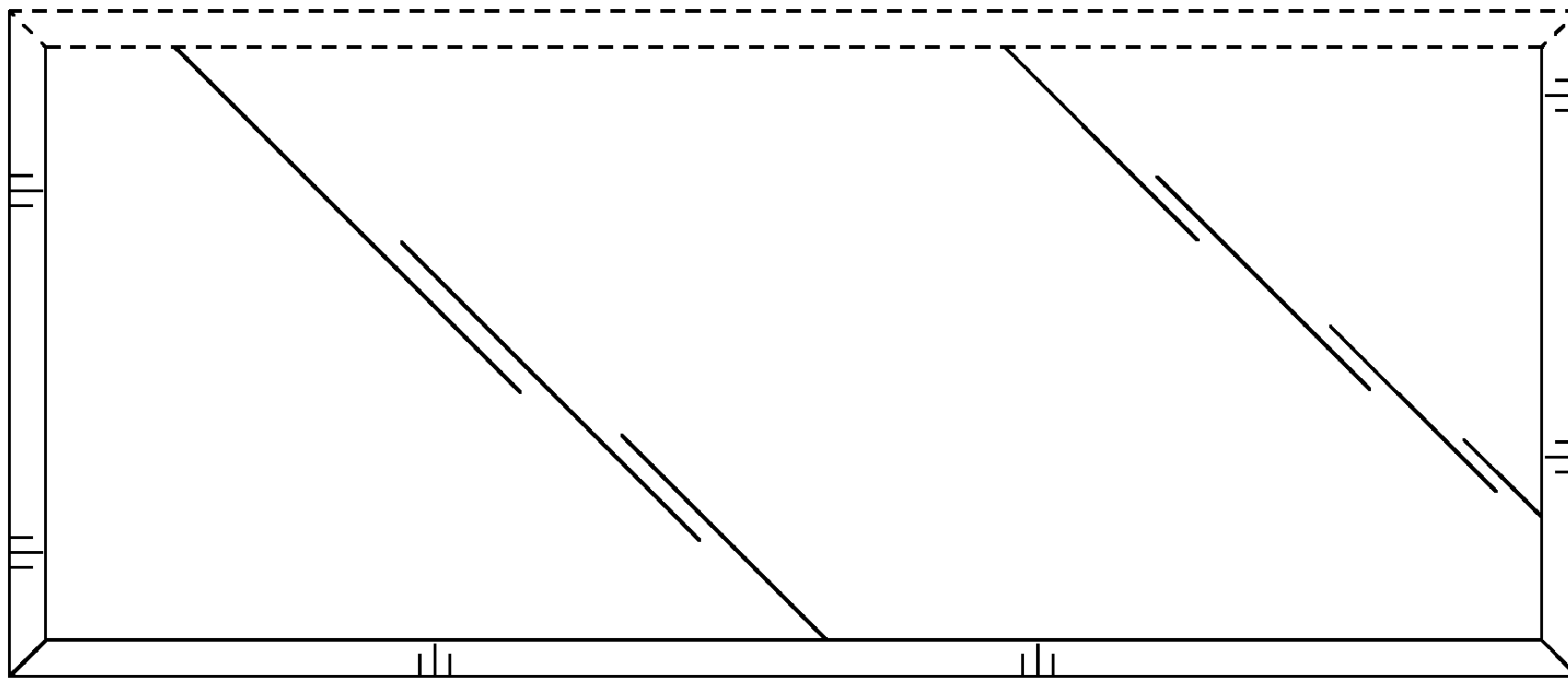


Fig. 3

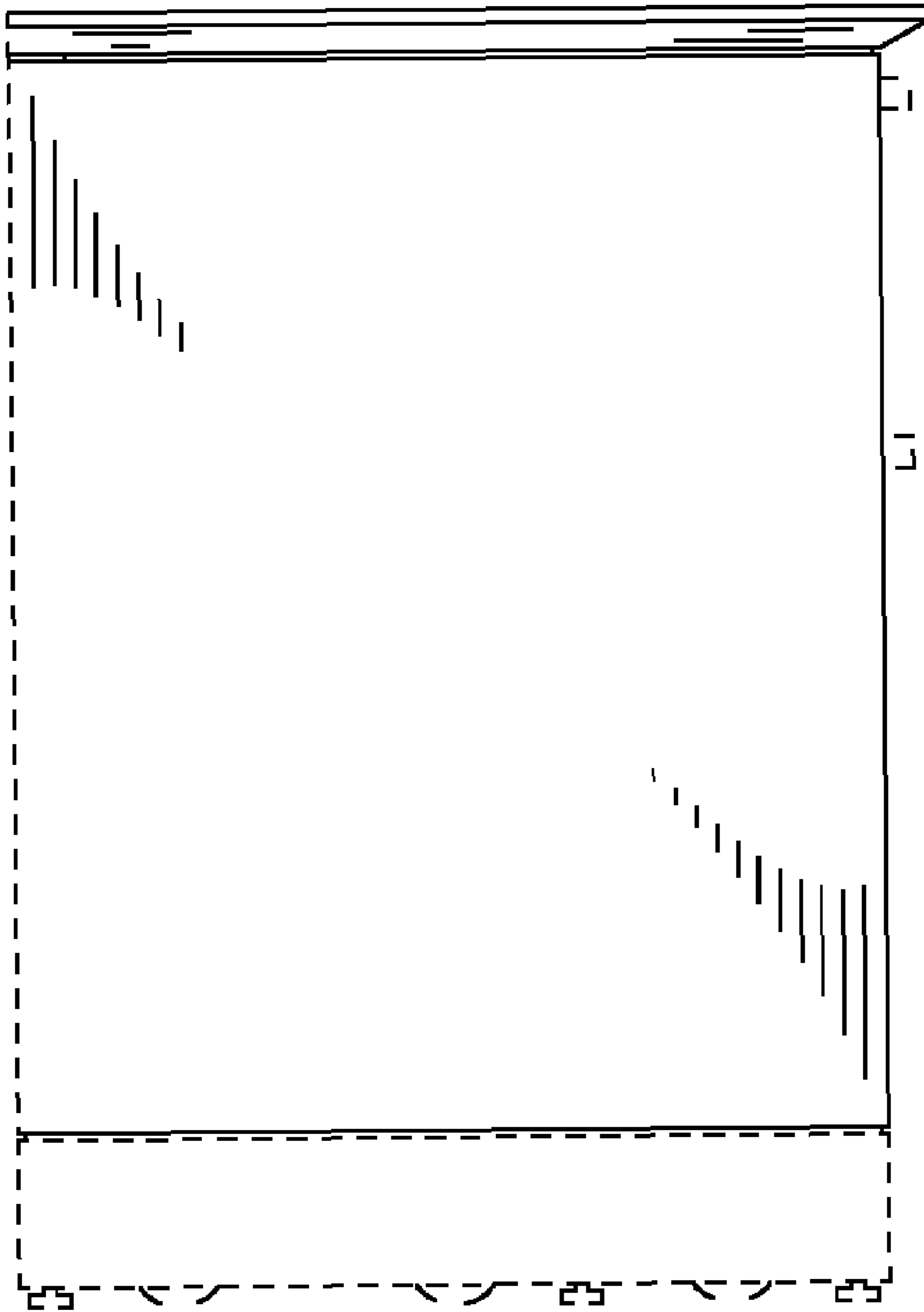


Fig. 4

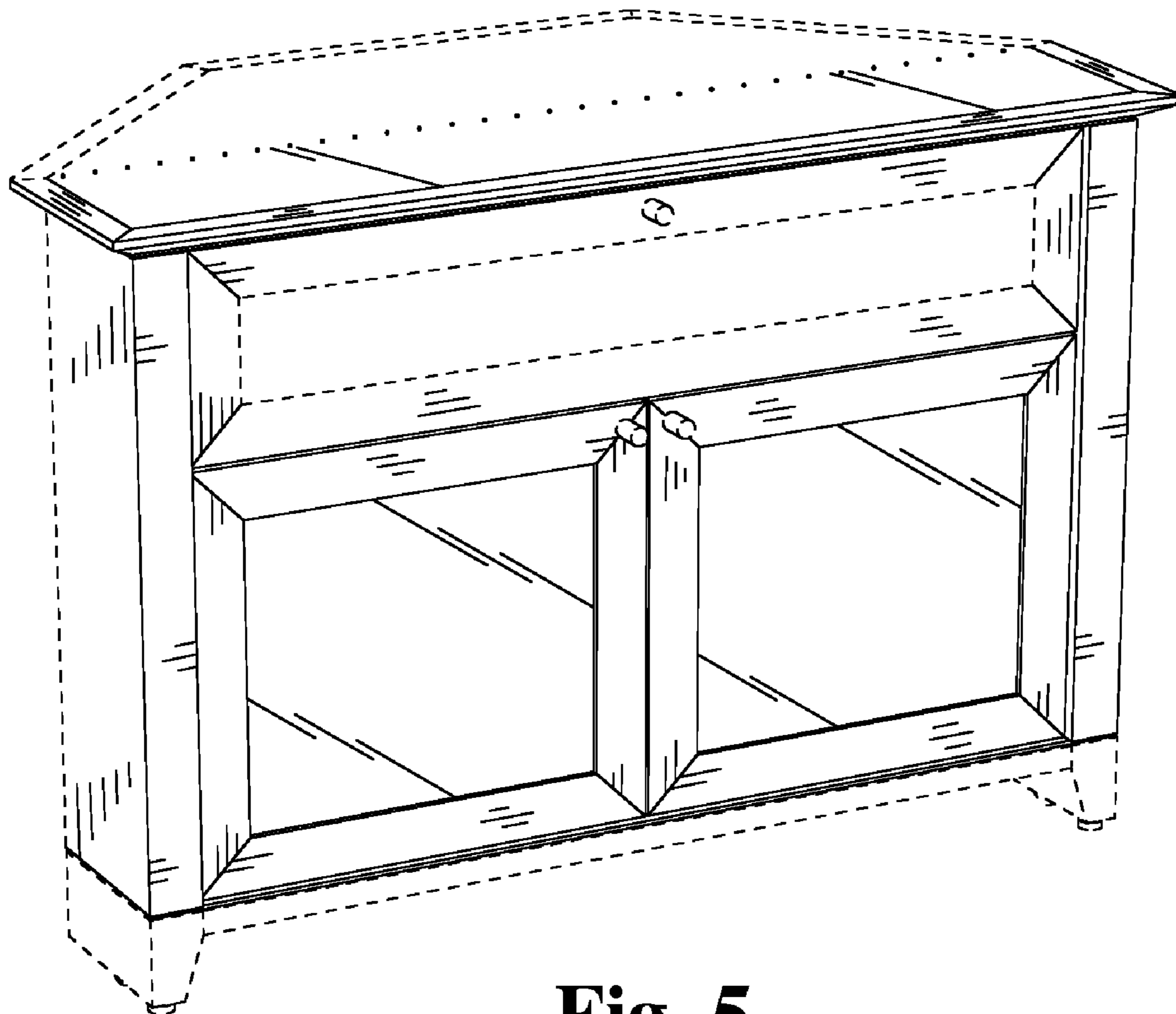


Fig. 5

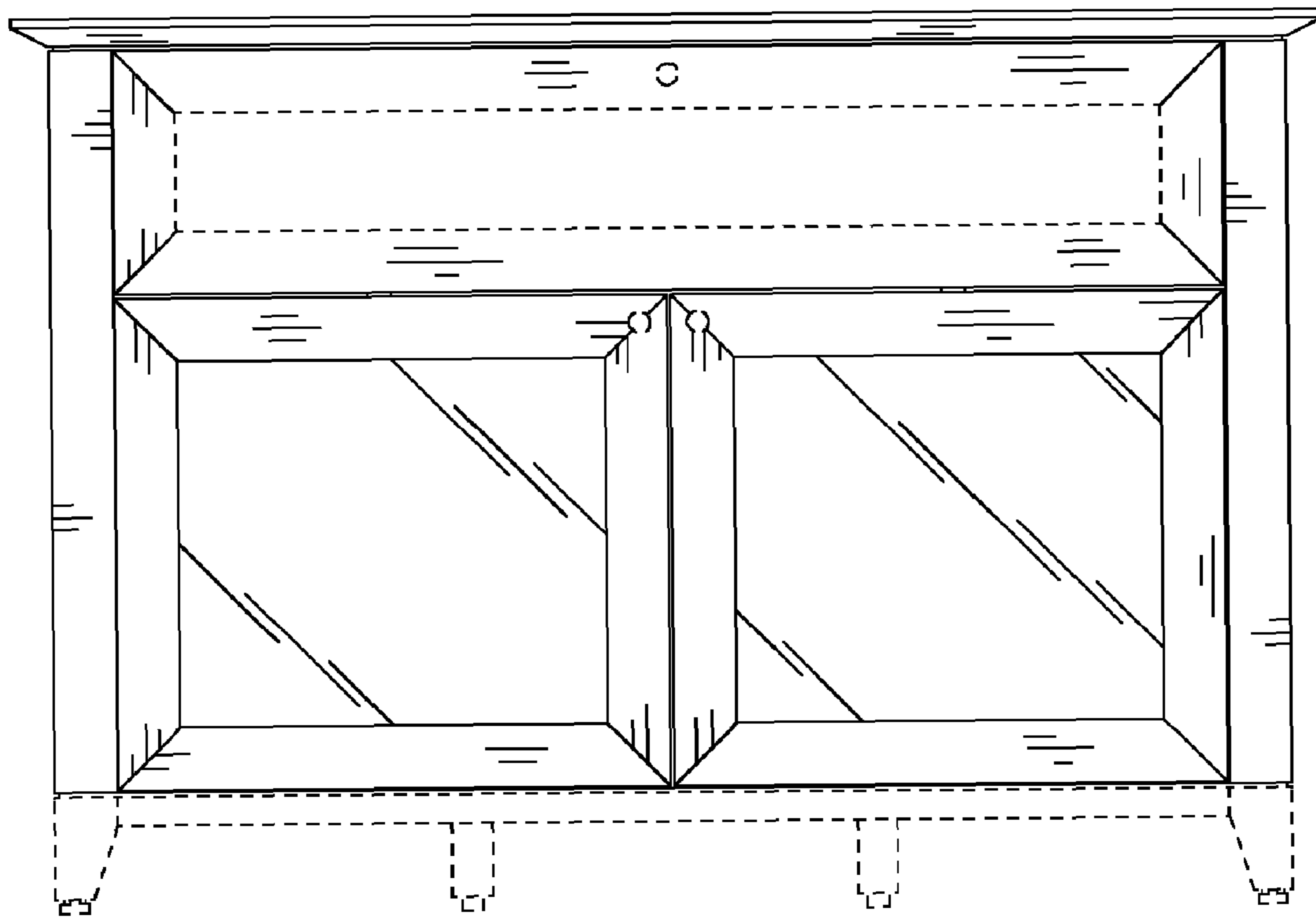


Fig. 6

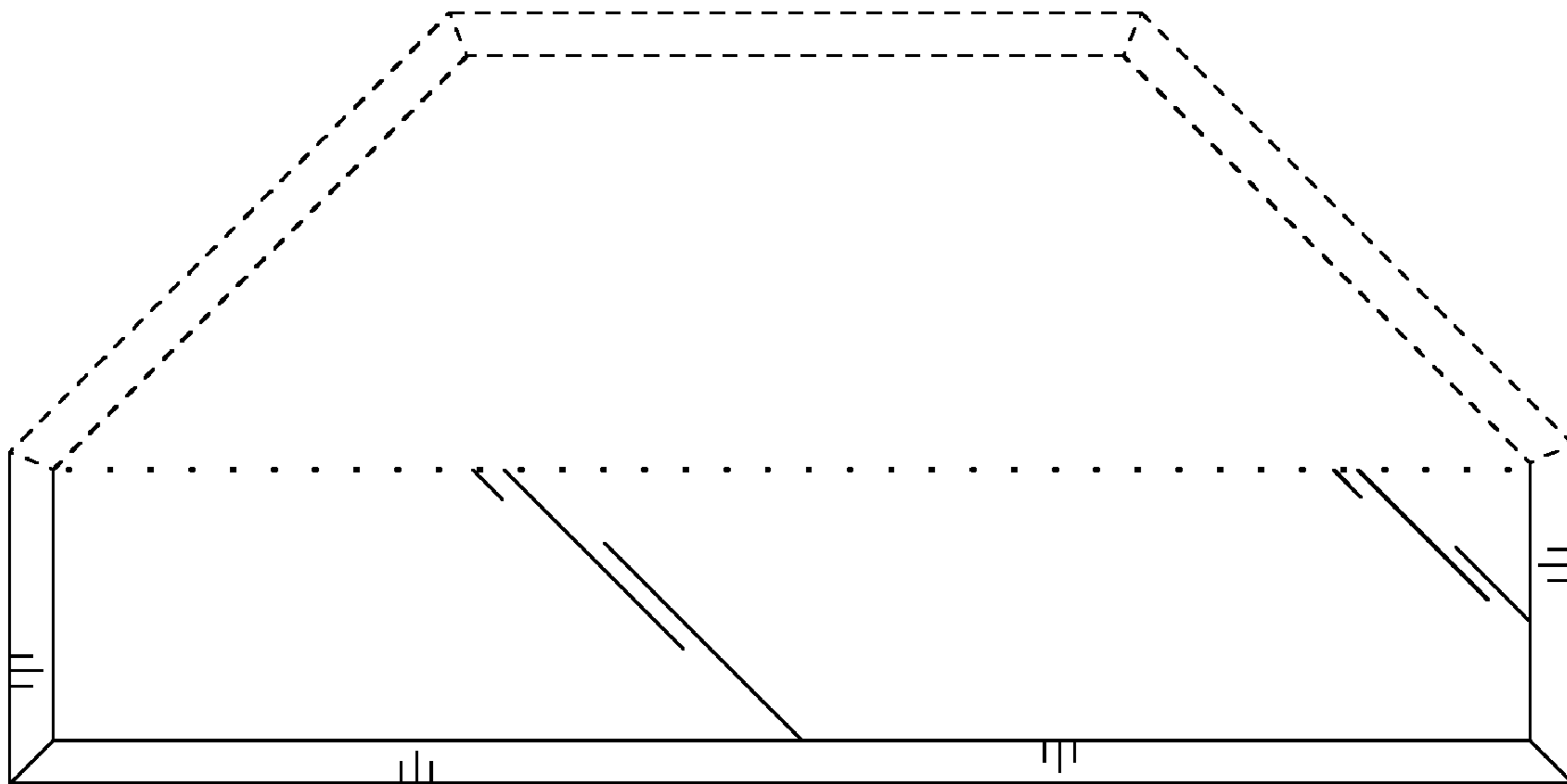


Fig. 7

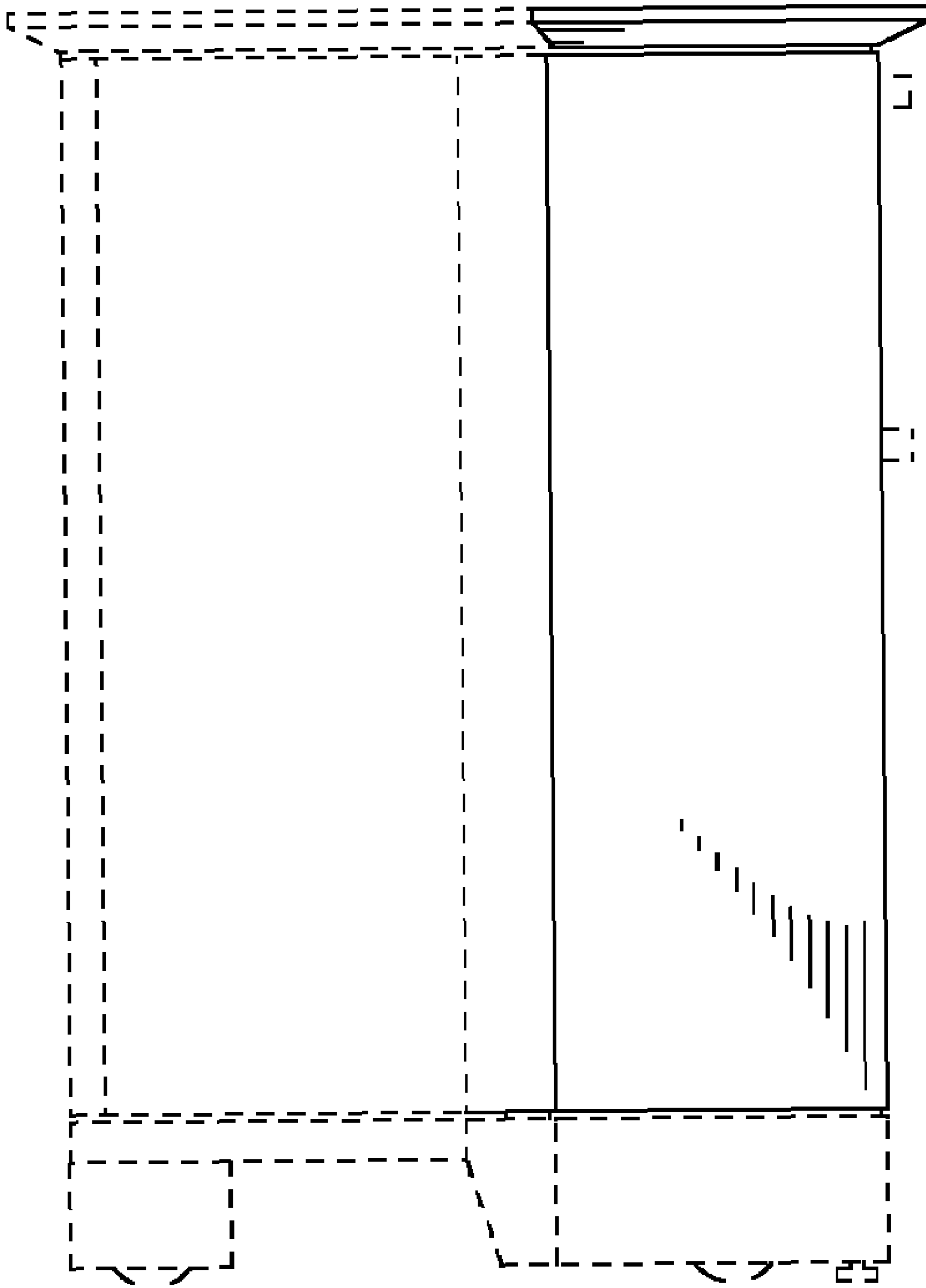


Fig. 8