

US00D562596S

(12) **United States Design Patent**  
**Maldonado**

(10) **Patent No.:** **US D562,596 S**

(45) **Date of Patent:** **\*\* Feb. 26, 2008**

(54) **OCTAGON PRODUCE TABLE**

D454,449 S \* 3/2002 Hautog ..... D6/480  
2005/0196080 A1\* 9/2005 Stone et al. .... 383/119

(76) Inventor: **Francisco Maldonado**, 7034 Lyons Ave., Houston, TX (US) 77020

\* cited by examiner

(\*\*) Term: **14 Years**

*Primary Examiner*—Cathron C. Brooks  
*Assistant Examiner*—Kelley A. Donnelly

(21) Appl. No.: **29/267,047**

(57) **CLAIM**

(22) Filed: **Oct. 5, 2006**

The ornamental design for a octagon produce table, as shown and described.

(51) **LOC (8) Cl.** ..... **06-04**

(52) **U.S. Cl.** ..... **D6/478**

(58) **Field of Classification Search** ..... D6/480-489,  
D6/495-499, 511-512, 436, 477; 408/50.12,  
408/153.1, 155; 248/188, 188.1

See application file for complete search history.

**DESCRIPTION**

FIG. 1 is a front perspective view of the octagon produce table showing my new design;

FIG. 2 is a top perspective view thereof;

FIG. 3 is a bottom plan view thereof;

FIG. 4 is a top plan view thereof; and,

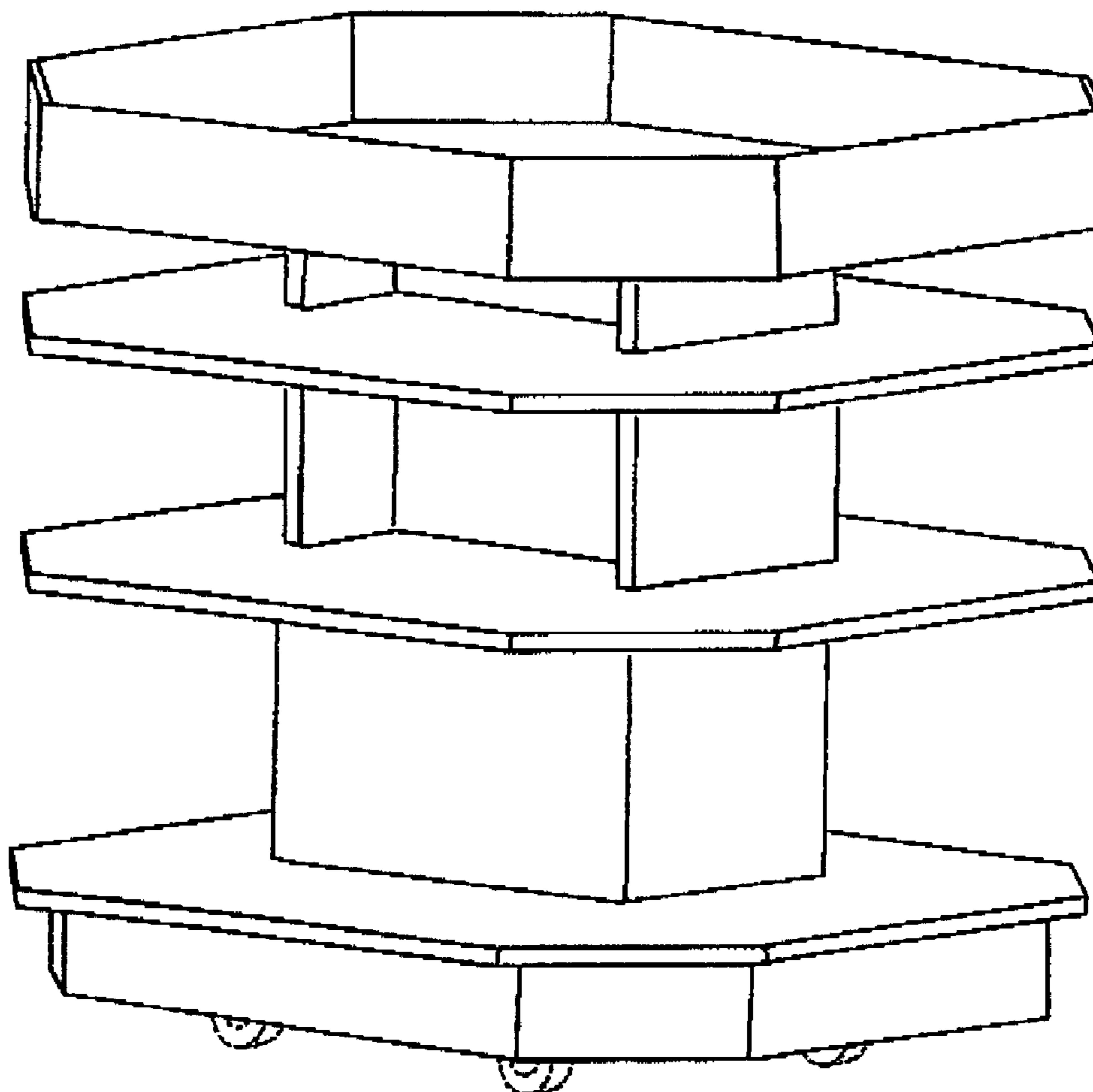
FIG. 5 is a front and back perspective view thereof.

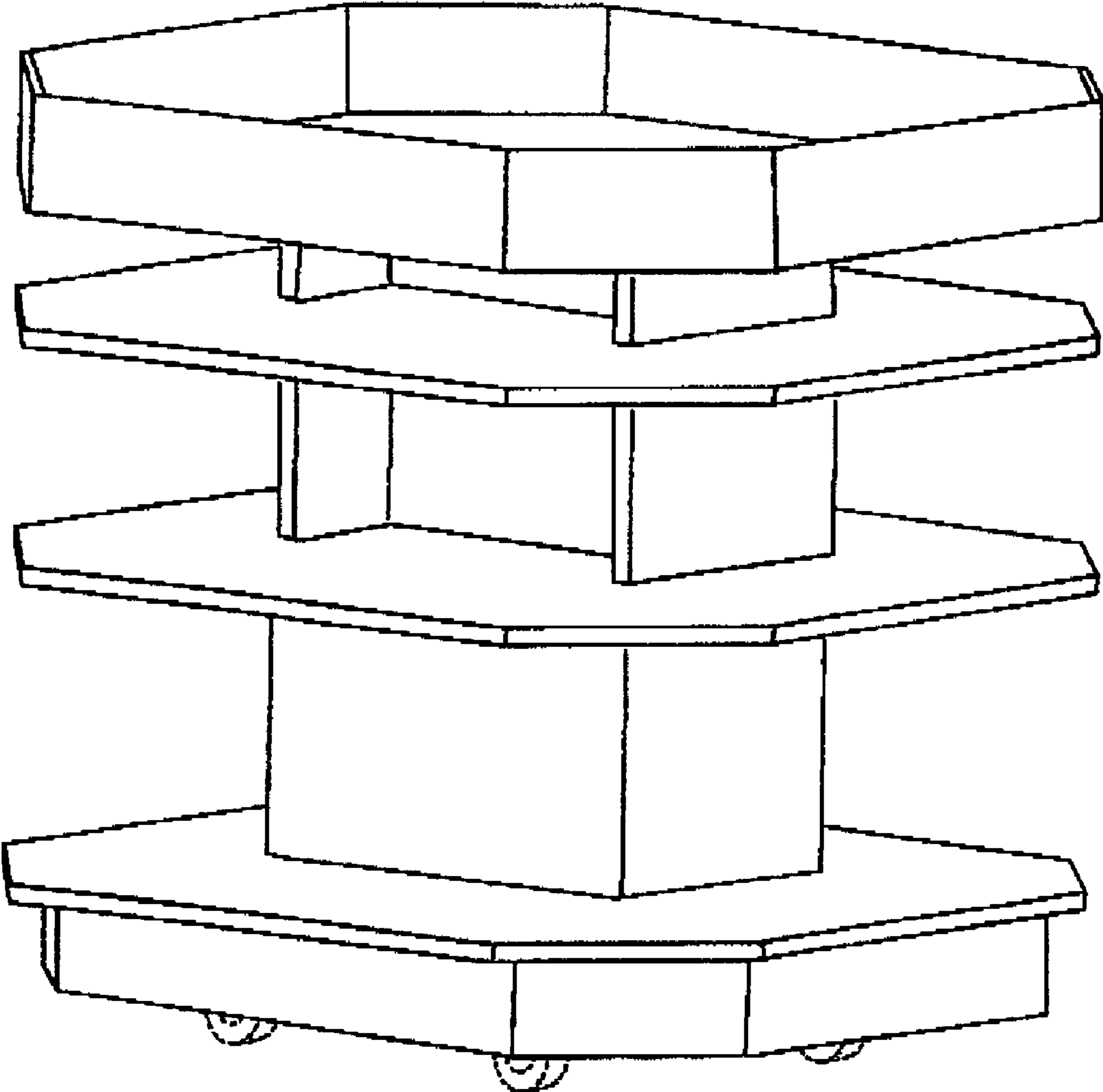
(56) **References Cited**

**U.S. PATENT DOCUMENTS**

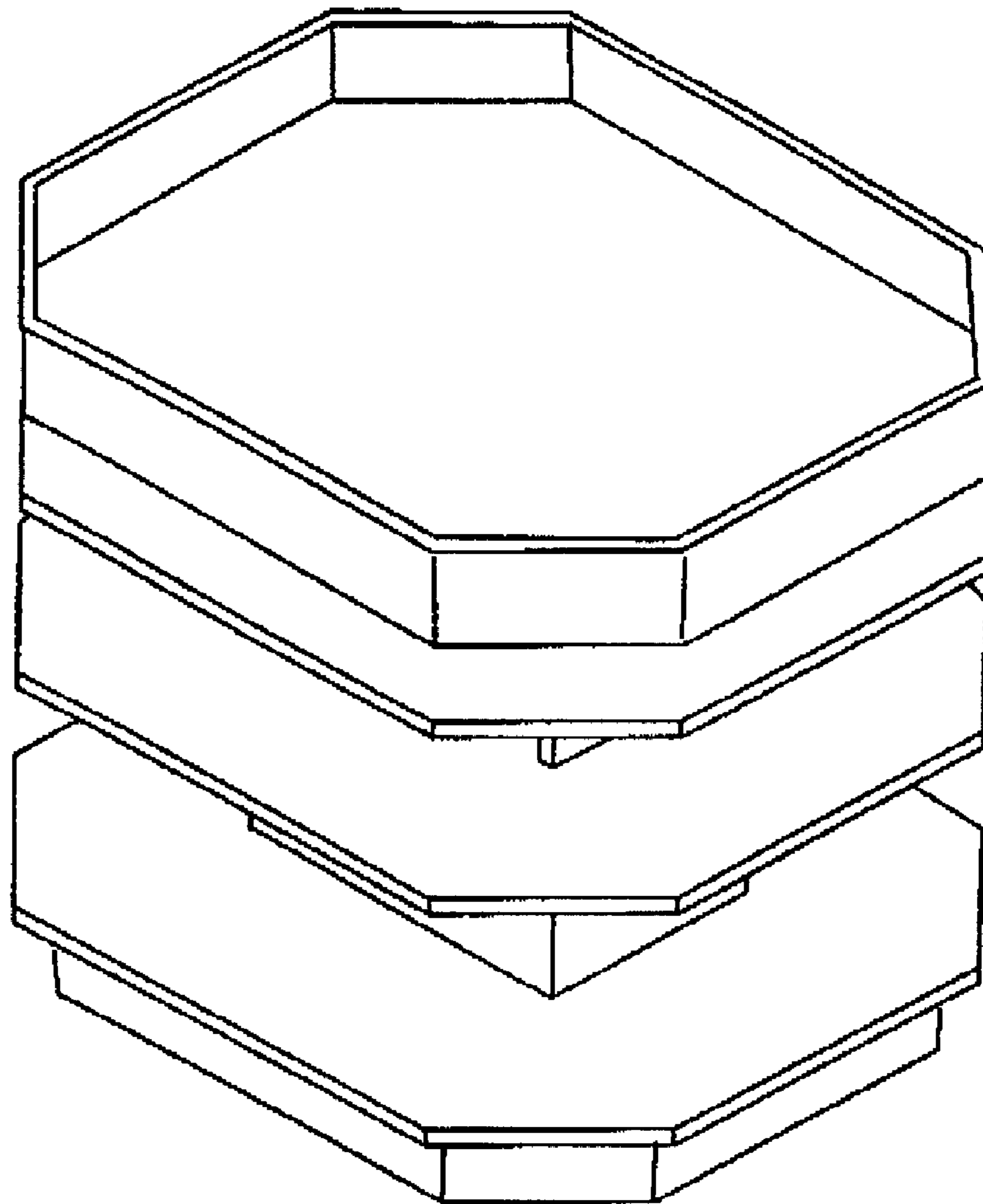
3,049,387 A \* 8/1962 Schlegel ..... 108/166  
3,683,824 A \* 8/1972 Weber ..... 108/92  
D411,927 S \* 7/1999 Rhienen ..... D6/480

**1 Claim, 4 Drawing Sheets**

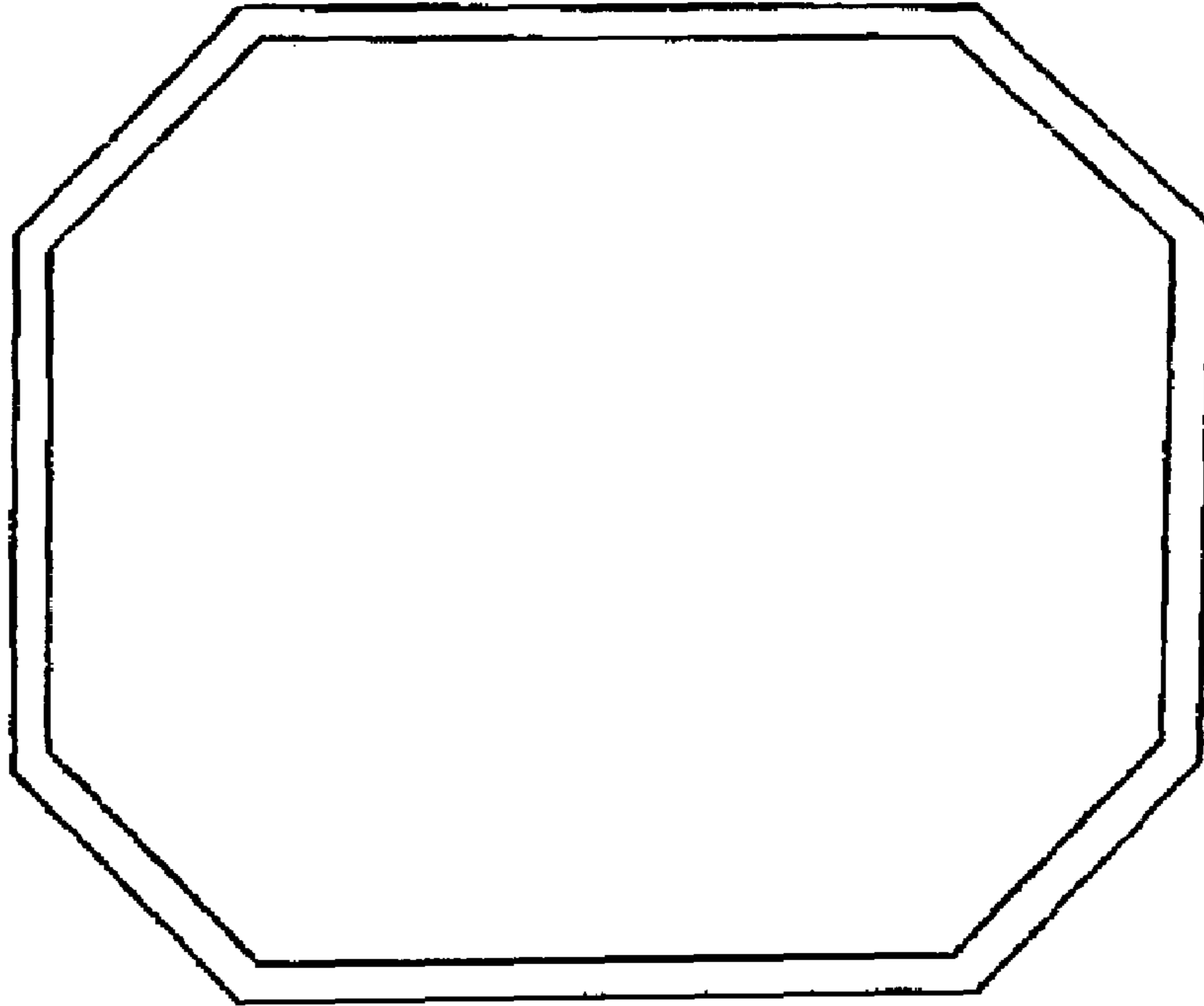




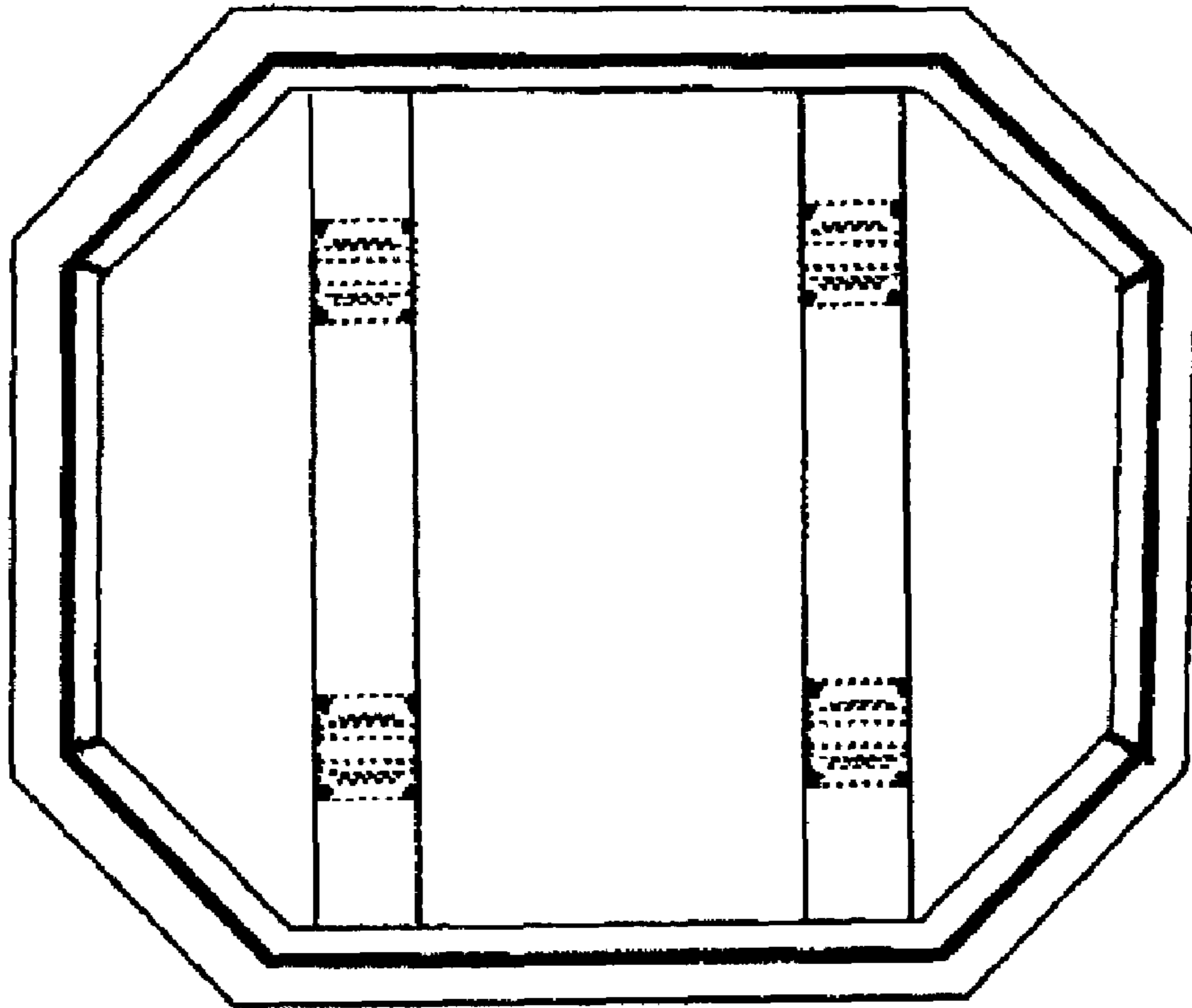
**FIGURE 1**



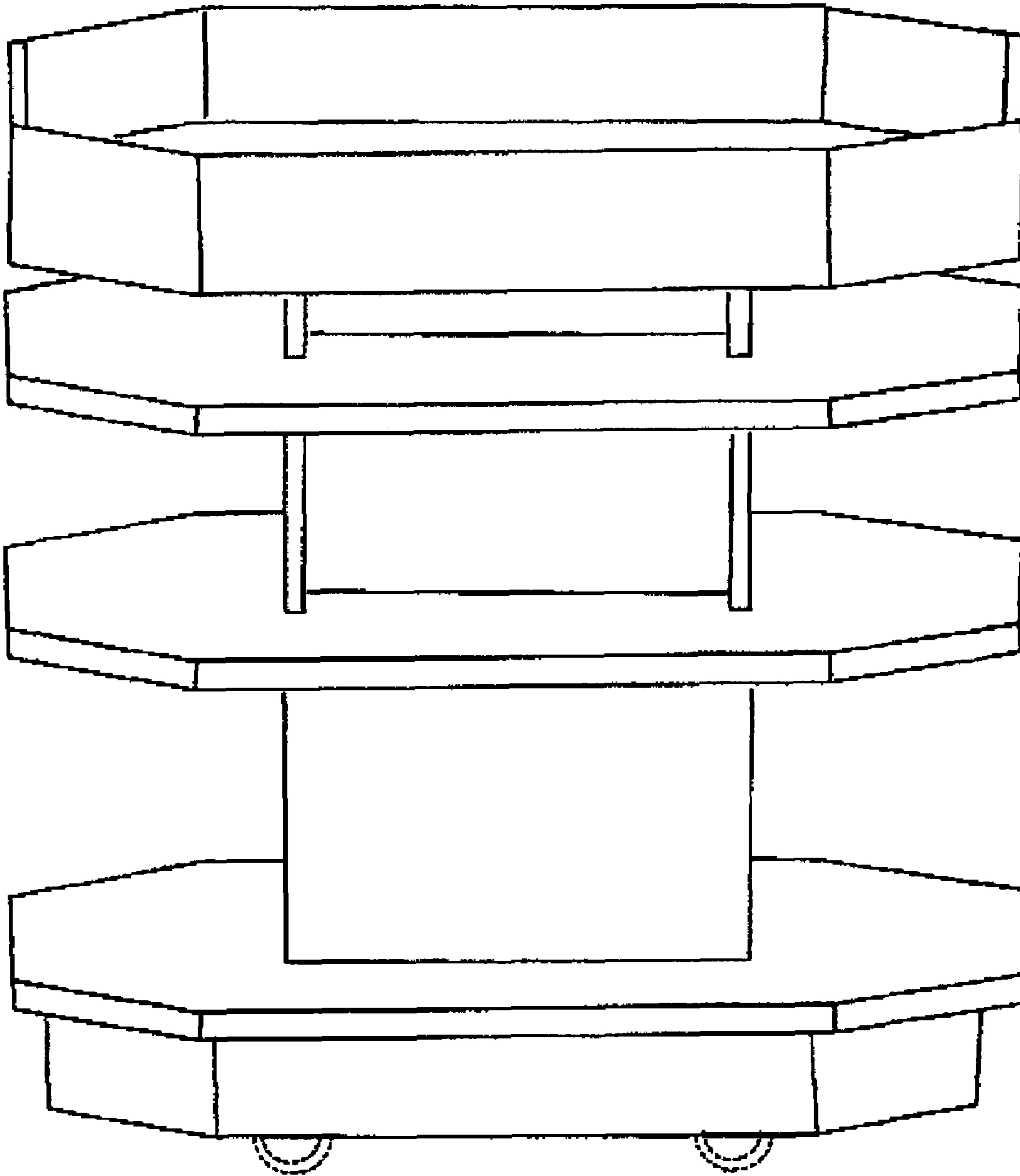
**FIGURE 2**



**FIGURE 3**



**FIGURE 4**



**FIGURE 5**