



US00D562594S

(12) **United States Design Patent**  
**Thompson**

(10) **Patent No.:** **US D562,594 S**  
(45) **Date of Patent:** **\*\* Feb. 26, 2008**

(54) **CANTILEVERED BOOK SHELF**

D535,497 S \* 1/2007 Portnoy ..... D6/477

(75) **Inventor:** **David W. Thompson**, New Albany, OH  
(US)

\* cited by examiner

(73) **Assignee:** **American Signature, Inc.**, Columbus,  
OH (US)

*Primary Examiner*—Cathron C. Brooks  
*Assistant Examiner*—Kelley A. Donnelly

(74) *Attorney, Agent, or Firm*—Wood, Herron & Evan,  
L.L.P.

(\*\*) **Term:** **14 Years**

(57) **CLAIM**

(21) **Appl. No.:** **29/275,513**

The ornamental design for a cantilevered book shelf, as  
shown and described.

(22) **Filed:** **Dec. 28, 2006**

(51) **LOC (8) Cl.** ..... **06-04**

(52) **U.S. Cl.** ..... **D6/474**

(58) **Field of Classification Search** ..... D6/474,  
D6/477-479, 422-428; 108/59, 92; 312/7.2,  
312/238, 283, 286

See application file for complete search history.

**DESCRIPTION**

FIG. 1 is a perspective view of a cantilevered book shelf  
showing my new design.

FIG. 2 is a front elevational view thereof.

FIG. 3 is a right elevational view thereof.

FIG. 4 is a rear elevational view thereof.

FIG. 5 is a left elevational view thereof.

FIG. 6 is a top plan view thereof.

FIG. 7 is a bottom plan view thereof; and,

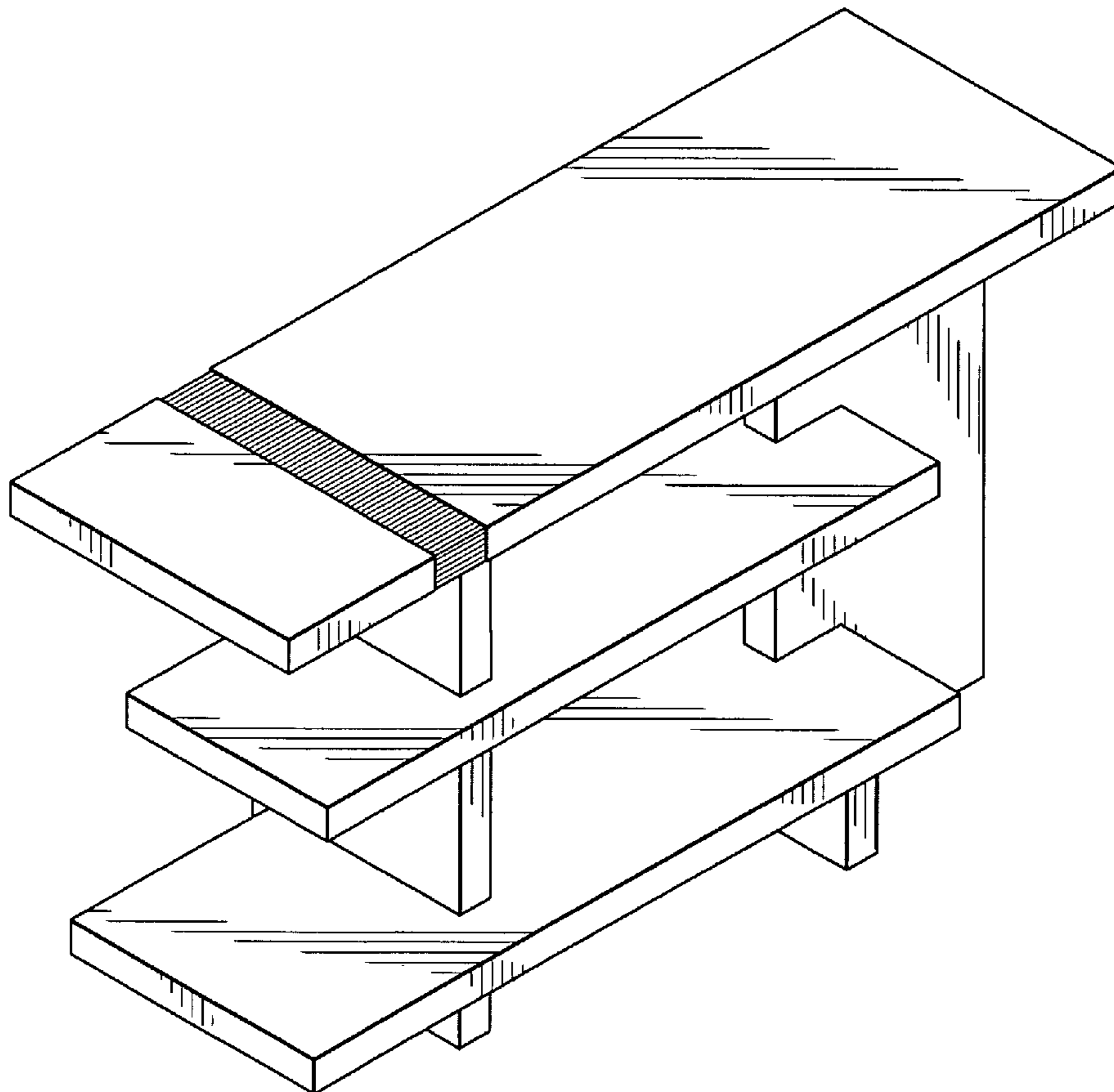
FIG. 8 is a cross section view taken along line 8—8 of FIG.  
2.

(56) **References Cited**

**U.S. PATENT DOCUMENTS**

2,806,606	A *	9/1957	Evans	.....	108/27
4,582,002	A *	4/1986	Wright	.....	108/60
D361,453	S *	8/1995	Sussman	.....	D6/474
D465,356	S *	11/2002	Muller	.....	D6/477
D483,966	S *	12/2003	Forlenza et al.	.....	D6/474
D527,210	S *	8/2006	Berry et al.	.....	D6/480

**1 Claim, 5 Drawing Sheets**



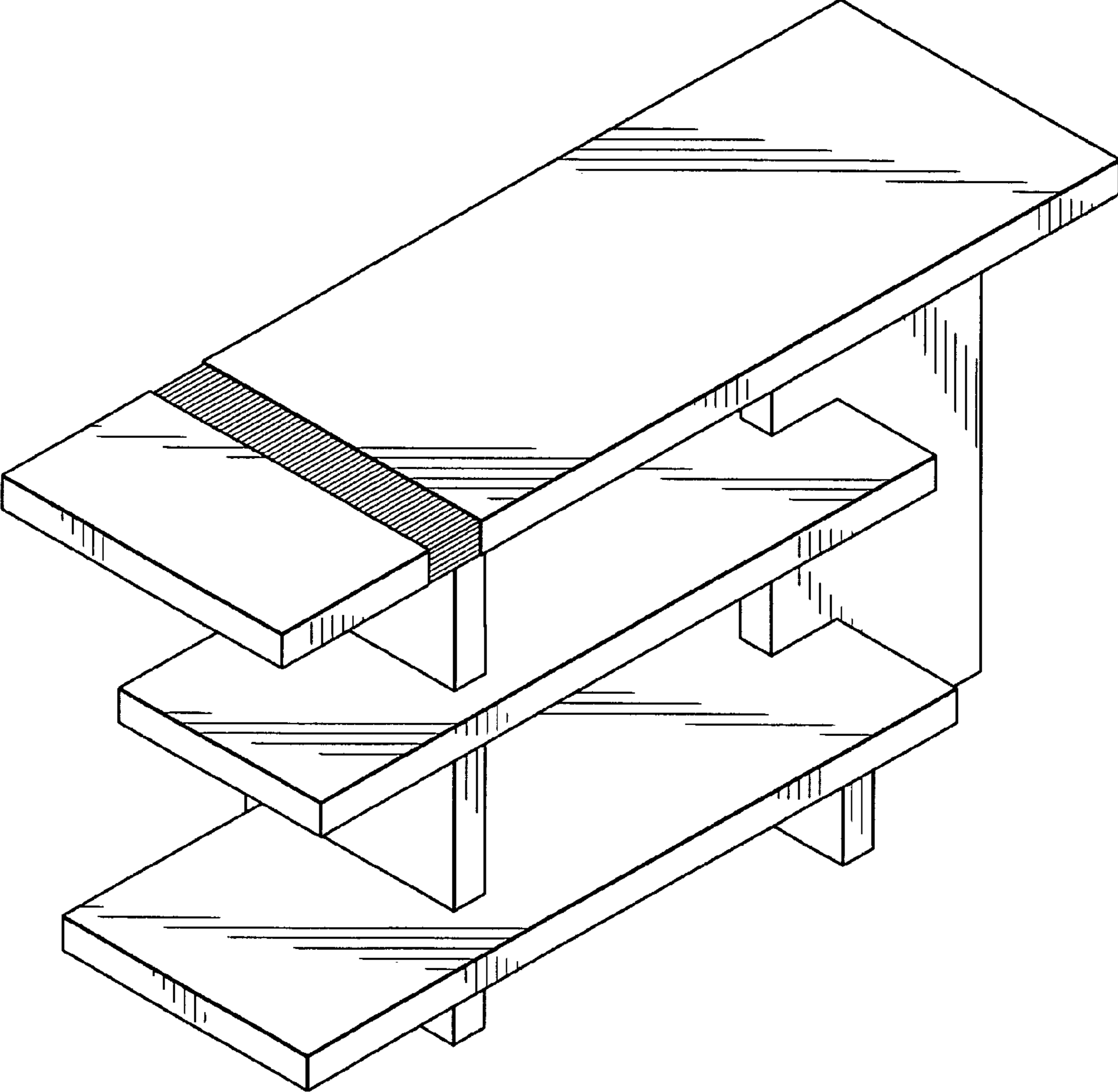


FIG. 1

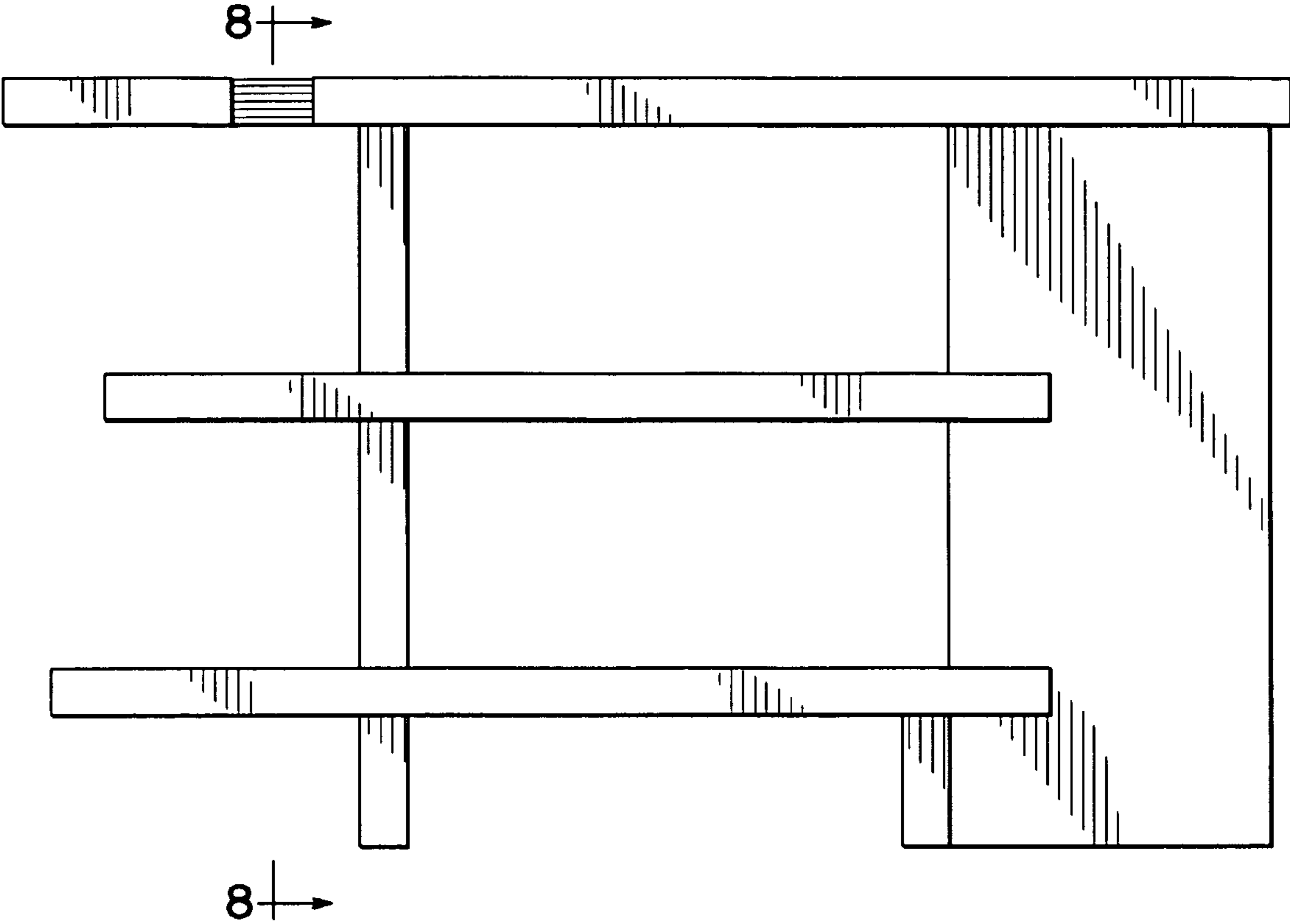


FIG. 2

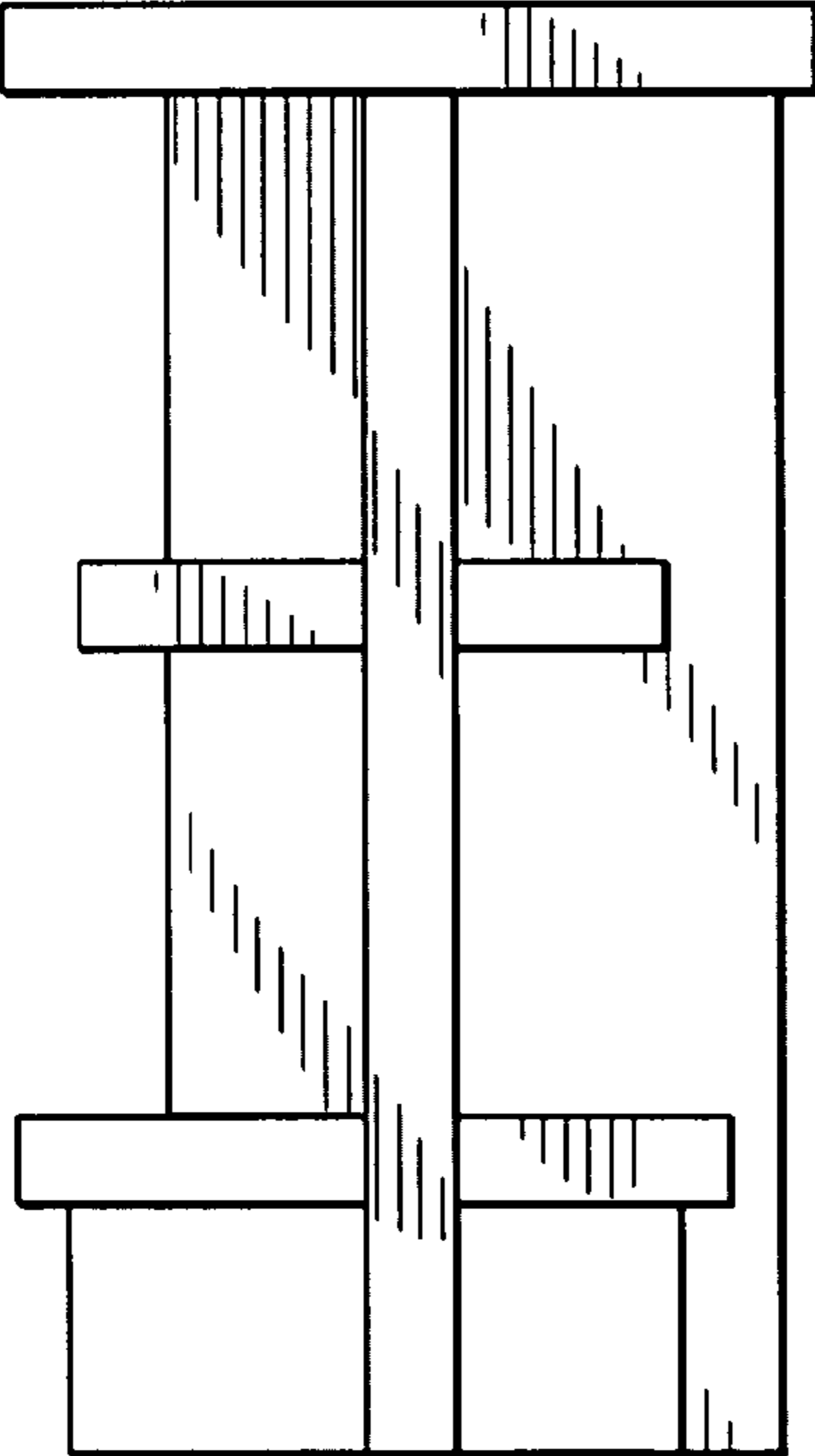


FIG. 3

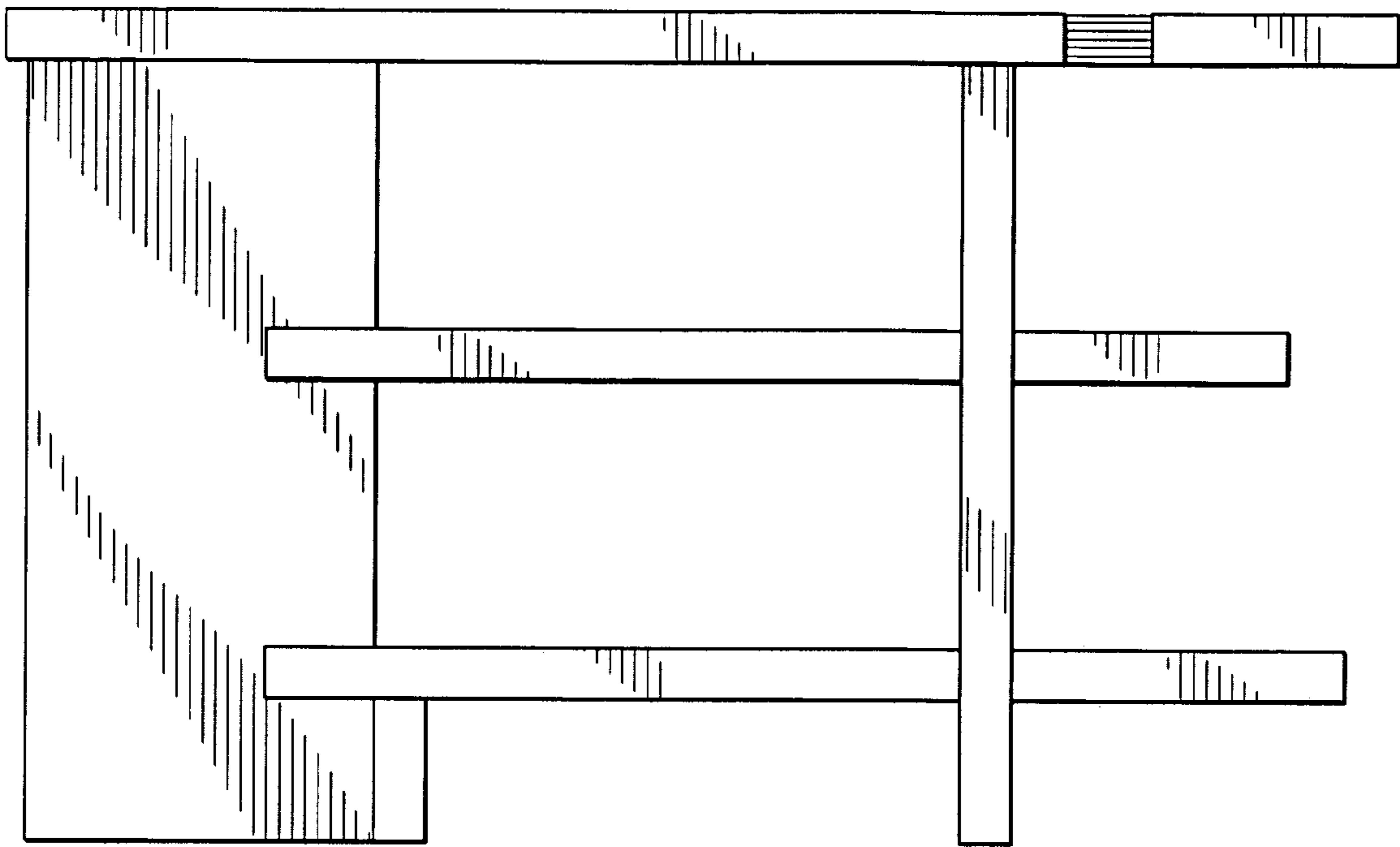


FIG. 4

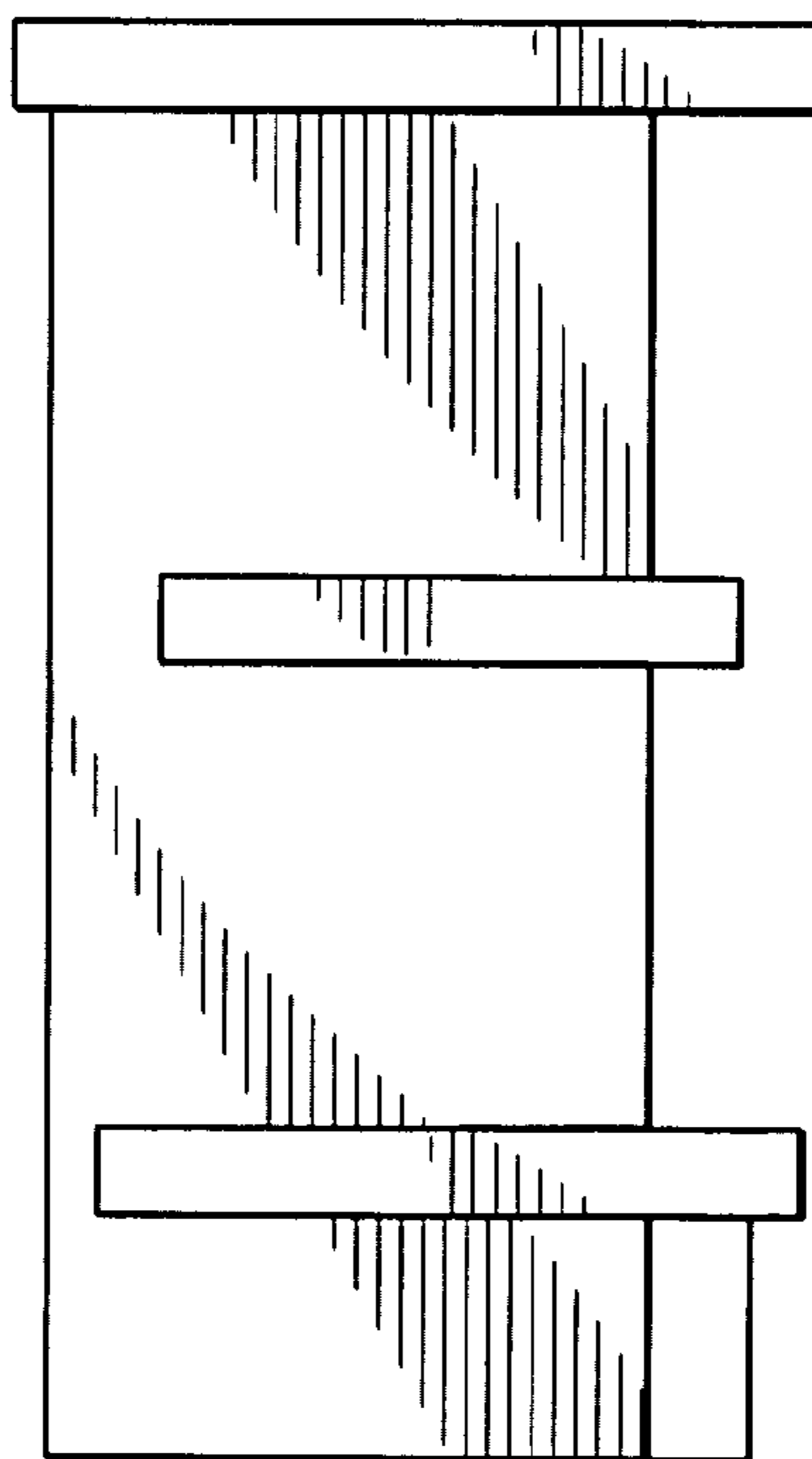


FIG. 5

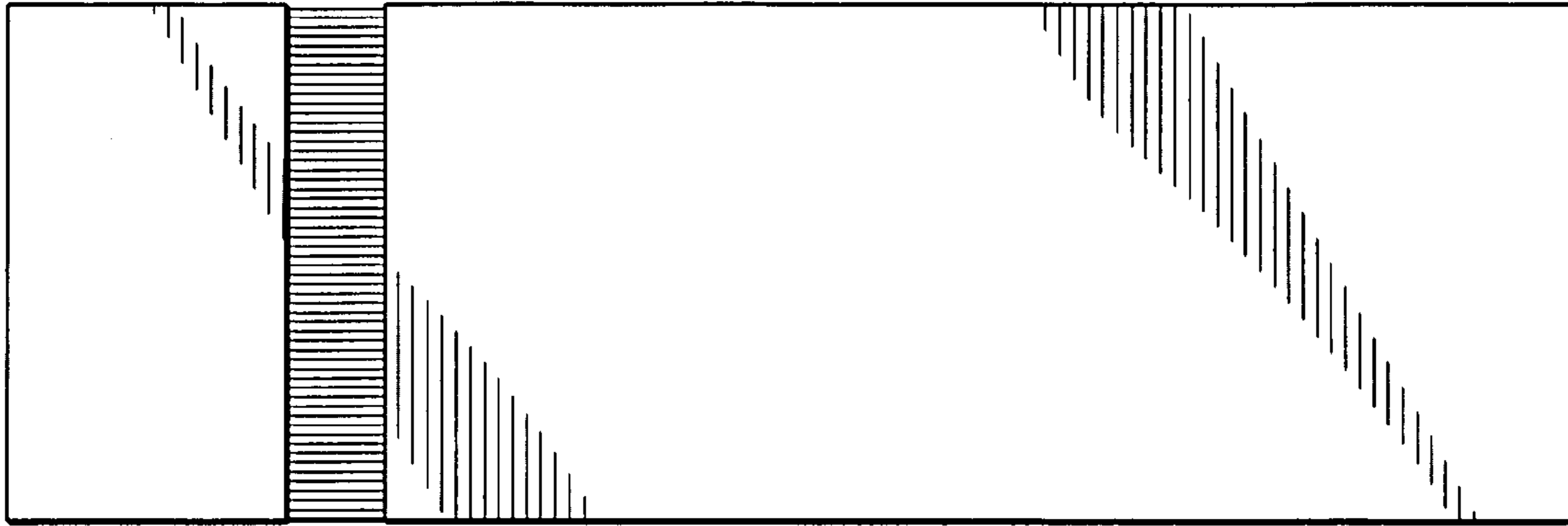


FIG. 6

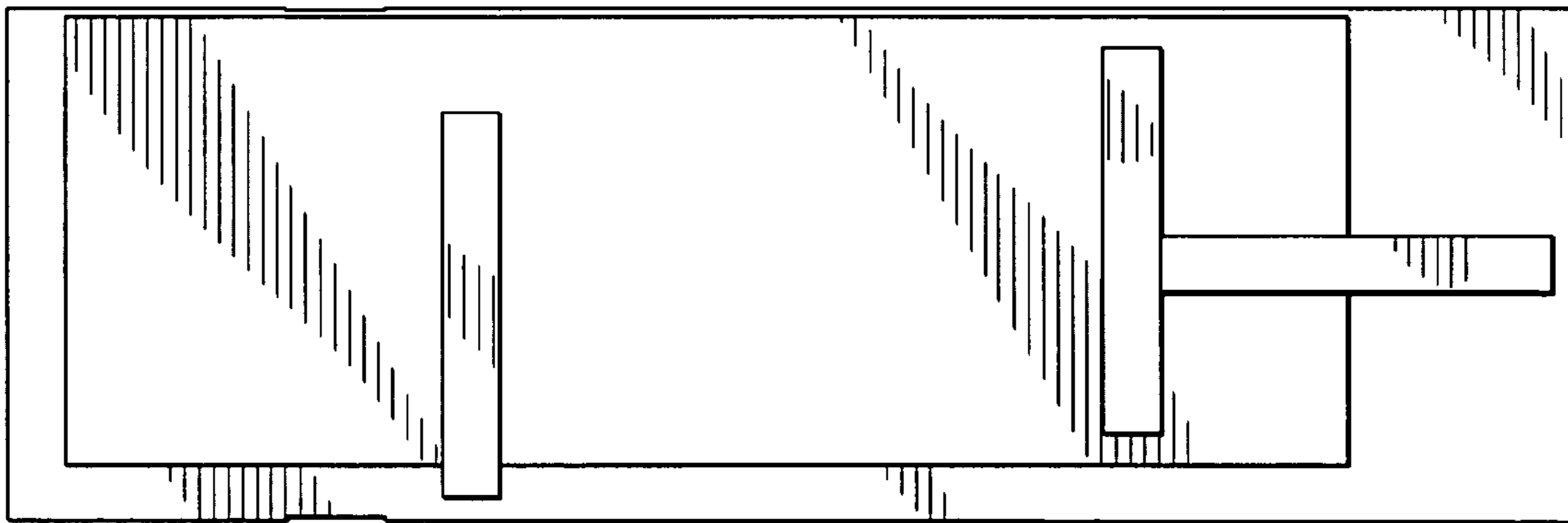


FIG. 7

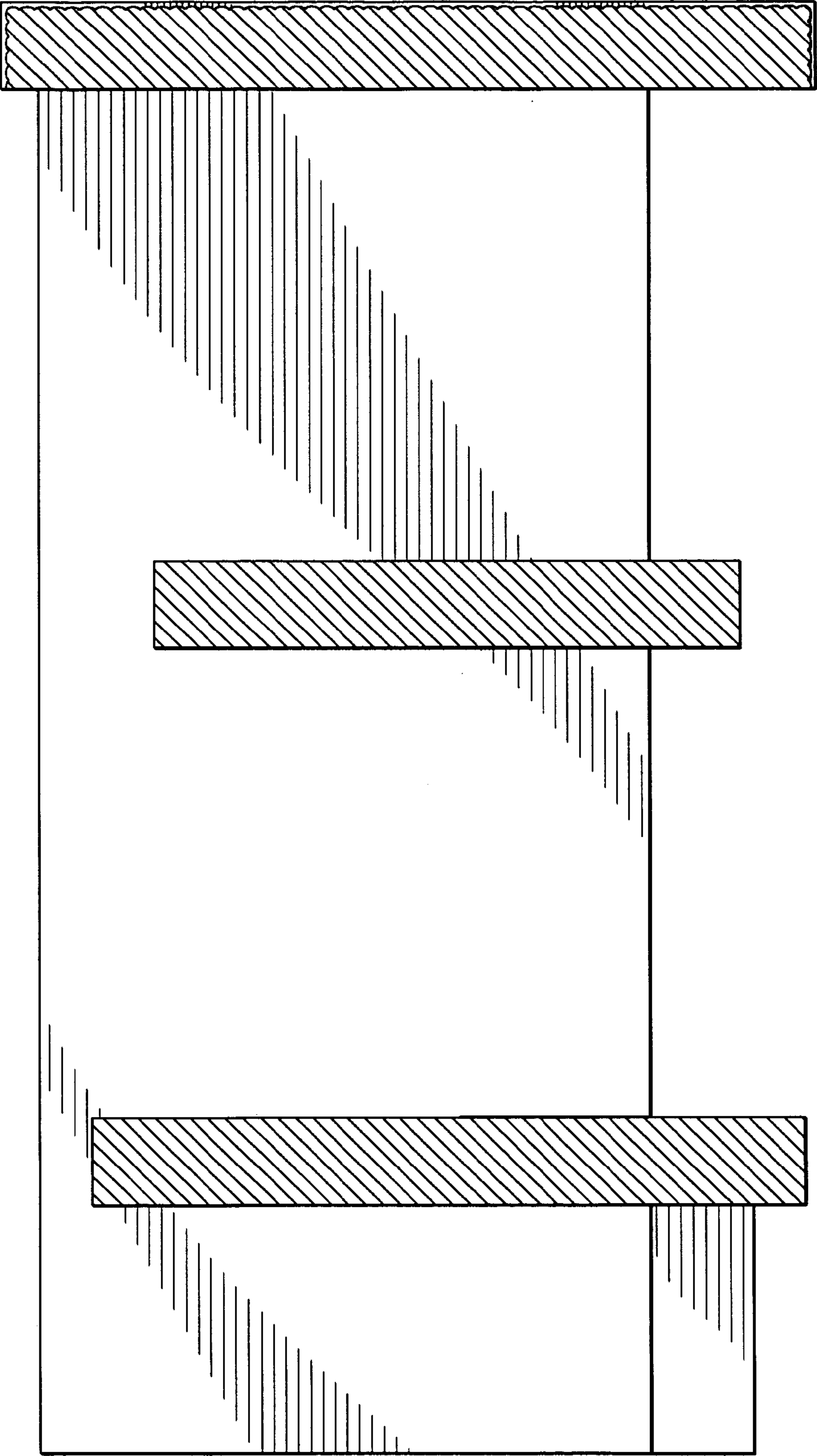


FIG. 8