

US00D562590S

(12) **United States Design Patent** (10) **Patent No.:** **US D562,590 S**  
**Colin et al.** (45) **Date of Patent:** **\*\* Feb. 26, 2008**

(54) **DISPLAY RACK** D321,609 S \* 11/1991 Dardashti ..... D6/408

(75) Inventors: **Maria Alejandra Noble Colin**, Del Magdalena Contreras (MX); **Juan Manuel Avila Barriga**, Mexico City (MX)

(Continued)

**OTHER PUBLICATIONS**

L.K. Goodwin Co.; [www.lkgoodwin.com/more\\_info/plastic\\_storage\\_bins/plastic\\_storage\\_bins.shtml](http://www.lkgoodwin.com/more_info/plastic_storage_bins/plastic_storage_bins.shtml); Dec. 7, 2005. Stacks and Stacks Homewares; [http://stacksandstacks.com/html/75046\\_ventilated-stacking-bins-set-of-6.htm](http://stacksandstacks.com/html/75046_ventilated-stacking-bins-set-of-6.htm); Dec. 7, 2005.

(73) Assignee: **Sabritas, S. de R.L. de C.V.**, Col. Bosques de las Lomas Mexico City

(Continued)

(\*\*) Term: **14 Years**

*Primary Examiner*—Caron D. Veynar  
*Assistant Examiner*—Sydney R. Buffalow

(21) Appl. No.: **29/248,931**

(74) *Attorney, Agent, or Firm*—Carstens & Cahoon, LLP; Colin P. Cahoon

(22) Filed: **Sep. 11, 2006**

**Related U.S. Application Data**

(63) Continuation-in-part of application No. 11/461,659, filed on Aug. 1, 2006.

(57) **CLAIM**

The ornamental design for a display rack, as shown and described.

(51) **LOC (8) Cl.** ..... **06-04**

(52) **U.S. Cl.** ..... **D6/462**

(58) **Field of Classification Search** ..... D6/408, D6/407, 462-465, 515, 512, 552, 458-460; 211/90.03, 112, 90.04, 113, 181.1, 189, 198, 211/55, 50, 49.1, 106, 184, 59.2, 134; 248/51 See application file for complete search history.

**DESCRIPTION**

FIG. 1 is a perspective view of the display rack of the present invention;

FIG. 2 is a front elevation view of the display rack of the present invention;

FIG. 3 is a left elevation view of the display rack of the present invention;

FIG. 4 is a right elevation view of the display rack of the present invention;

FIG. 5 is a rear elevation view of the display rack of the present invention;

FIG. 6 is a top plan view of the display rack of the present invention; and,

FIG. 7 is a bottom plan view of the display rack of the present invention.

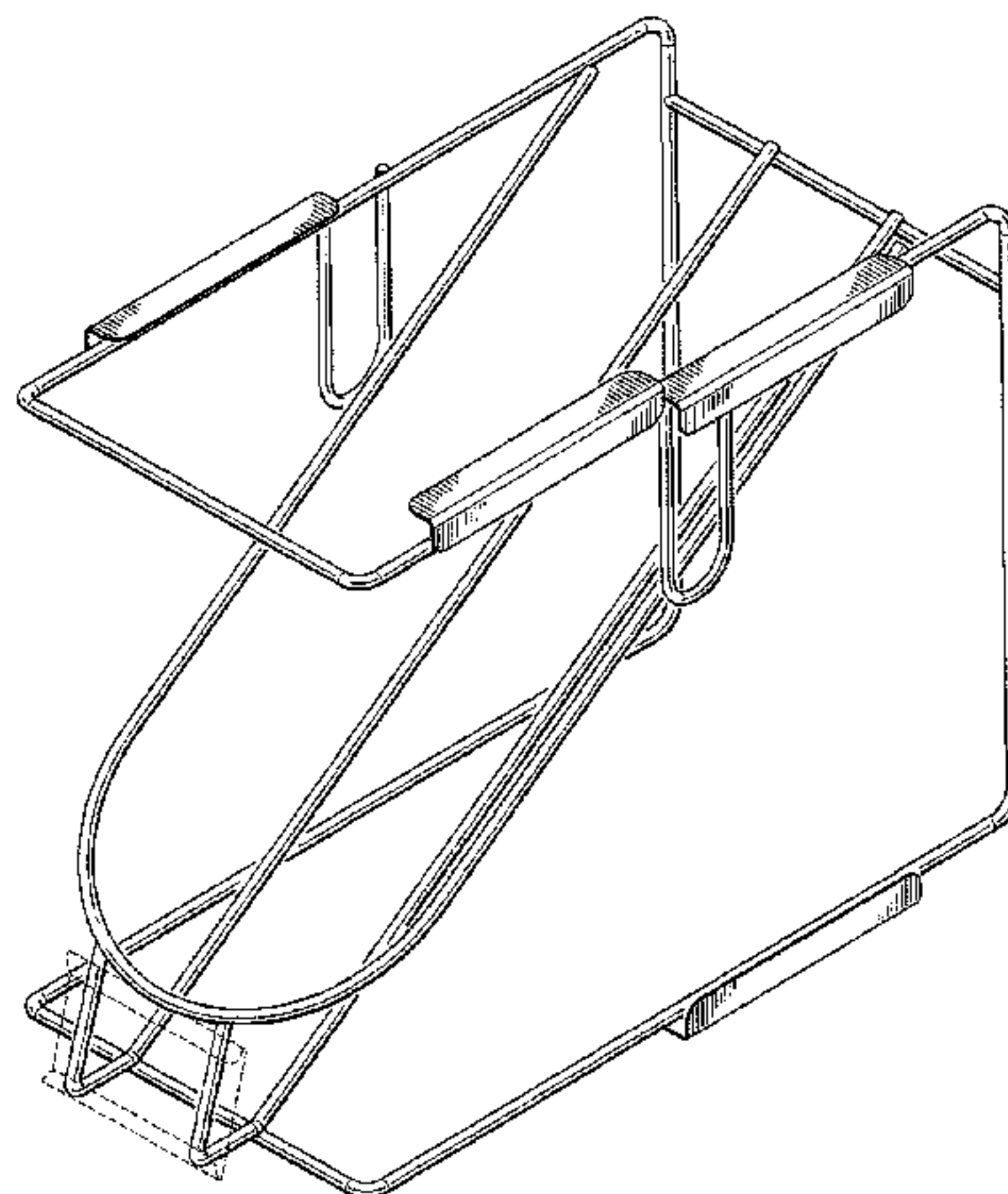
The broken line showing a card holder in all Figures is for illustrative purposes only and forms no part of the claimed design.

(56) **References Cited**

**U.S. PATENT DOCUMENTS**

- D161,477 S \* 1/1951 Lieber et al. .... D6/463
- D162,397 S \* 3/1951 Pink ..... D6/463
- D181,322 S \* 10/1957 Streich ..... D6/408
- D185,660 S \* 7/1959 Crookes ..... D6/408
- D192,378 S \* 3/1962 Combs ..... D6/408
- 3,083,836 A \* 4/1963 Bussemer ..... 211/134
- 3,203,553 A \* 8/1965 Pendergrast, Jr. et al. . 211/59.2
- D211,918 S \* 8/1968 Wilder et al. .... D6/408
- 4,298,127 A 11/1981 Upshaw et al.
- 4,426,008 A \* 1/1984 Olson et al. .... D6/408
- 4,444,320 A 4/1984 Chap
- 4,730,799 A \* 3/1988 Foss et al. .... 248/51
- 4,848,620 A 7/1989 Chap
- 5,022,540 A 6/1991 Vail, Sr. et al.

**1 Claim, 4 Drawing Sheets**



# US D562,590 S

Page 2

## U.S. PATENT DOCUMENTS

5,097,971 A 3/1992 Norris et al.  
D347,922 S \* 6/1994 Trevaskis ..... D6/515  
D398,460 S 9/1998 Gerstner  
D446,968 S \* 8/2001 Spencer ..... D6/462  
6,431,375 B2 \* 8/2002 Spencer ..... 211/106  
2002/0008074 A1 \* 1/2002 Spencer ..... 211/49.1  
2003/0173322 A1 9/2003 Rushing

## OTHER PUBLICATIONS

ebay.com; <http://cgi.ebay.com/ws/eBayISAPI.dll?ViewItem&item=561932907&category=55851>; Dec. 7, 2005.  
Froogle Online Shopping; <http://froogle.google.com/froogle?q=stackable+display+bins&hl=en&lr=&sa=N&tab=ff&oi=froogler>; Dec. 7, 2005.

Hubert Company Online Store; [www.hubert.com/store/p-detail.asp?c=139&s=1289&ss=14973&p=826](http://www.hubert.com/store/p-detail.asp?c=139&s=1289&ss=14973&p=826); Dec. 7, 2005.

Google; [www.google.com/search?q=interlocking+wire+display+bins+for+chip+bags&hl=en&lr&start=30&sa=N](http://www.google.com/search?q=interlocking+wire+display+bins+for+chip+bags&hl=en&lr&start=30&sa=N); Dec. 6, 2005.

Organize-Everything.com; [www.organize-everything.com/stacbassmalw.html](http://www.organize-everything.com/stacbassmalw.html); Dec. 6, 2005.

simplastics.com; <http://www.simplastics.com/items.asp?subcat=11>; Dec. 6, 2005.

shop.com; [http://www.shop.com/op/~Set\\_of\\_4\\_Wire\\_Storage\\_Cubes-prod-14226166](http://www.shop.com/op/~Set_of_4_Wire_Storage_Cubes-prod-14226166); Dec. 6, 2005.

\* cited by examiner

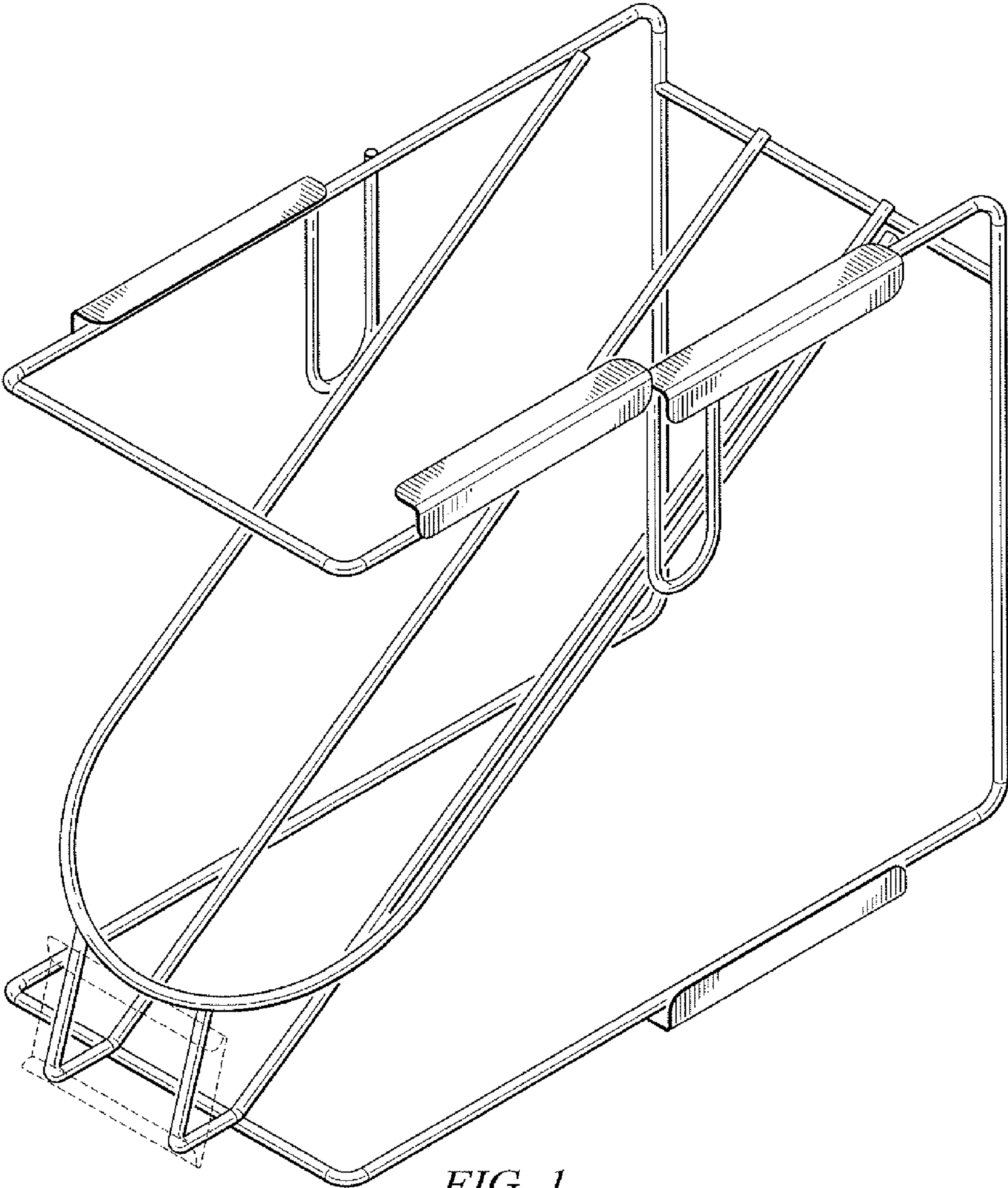


FIG. 1

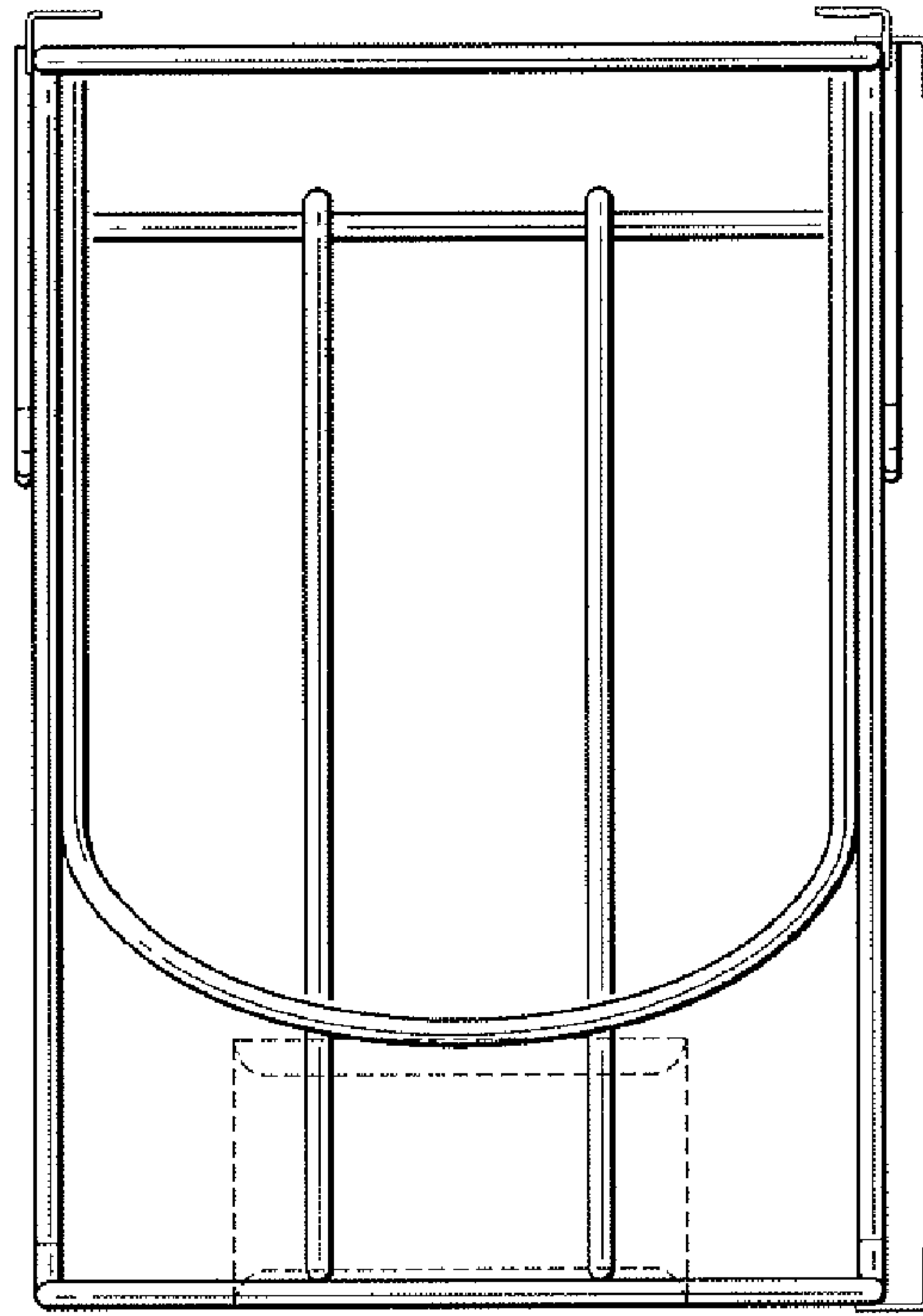


FIG. 2

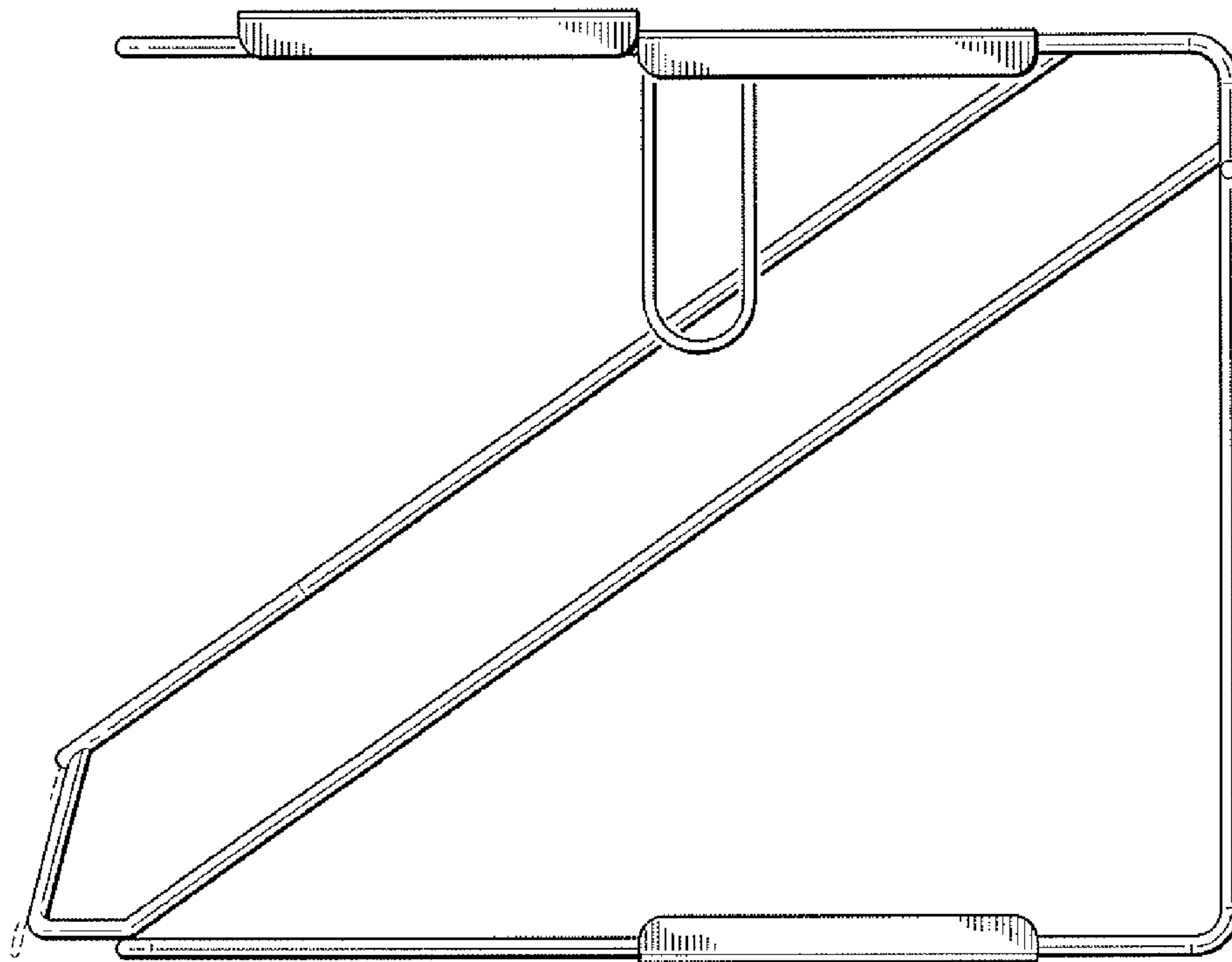


FIG. 3



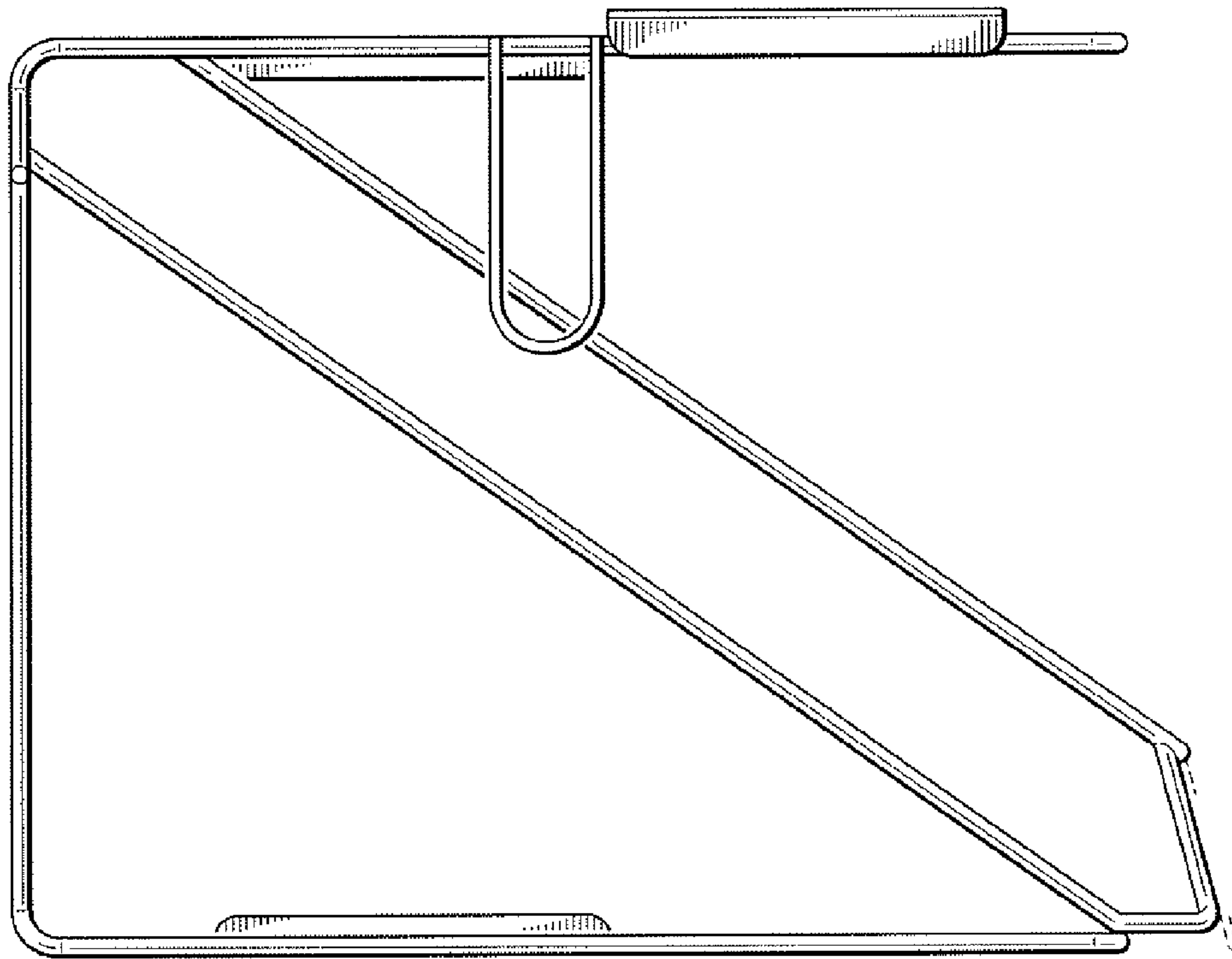


FIG. 4

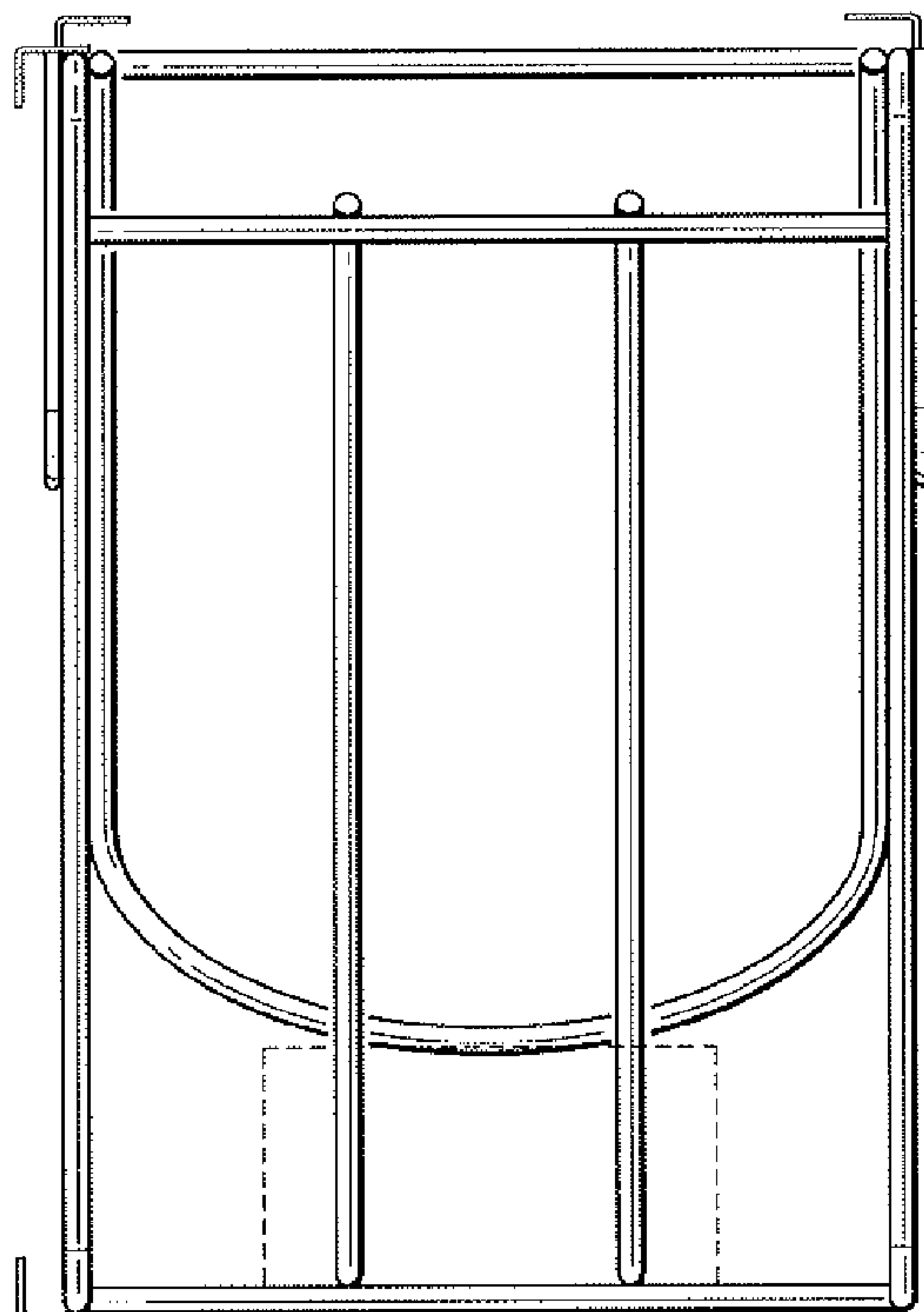


FIG. 5

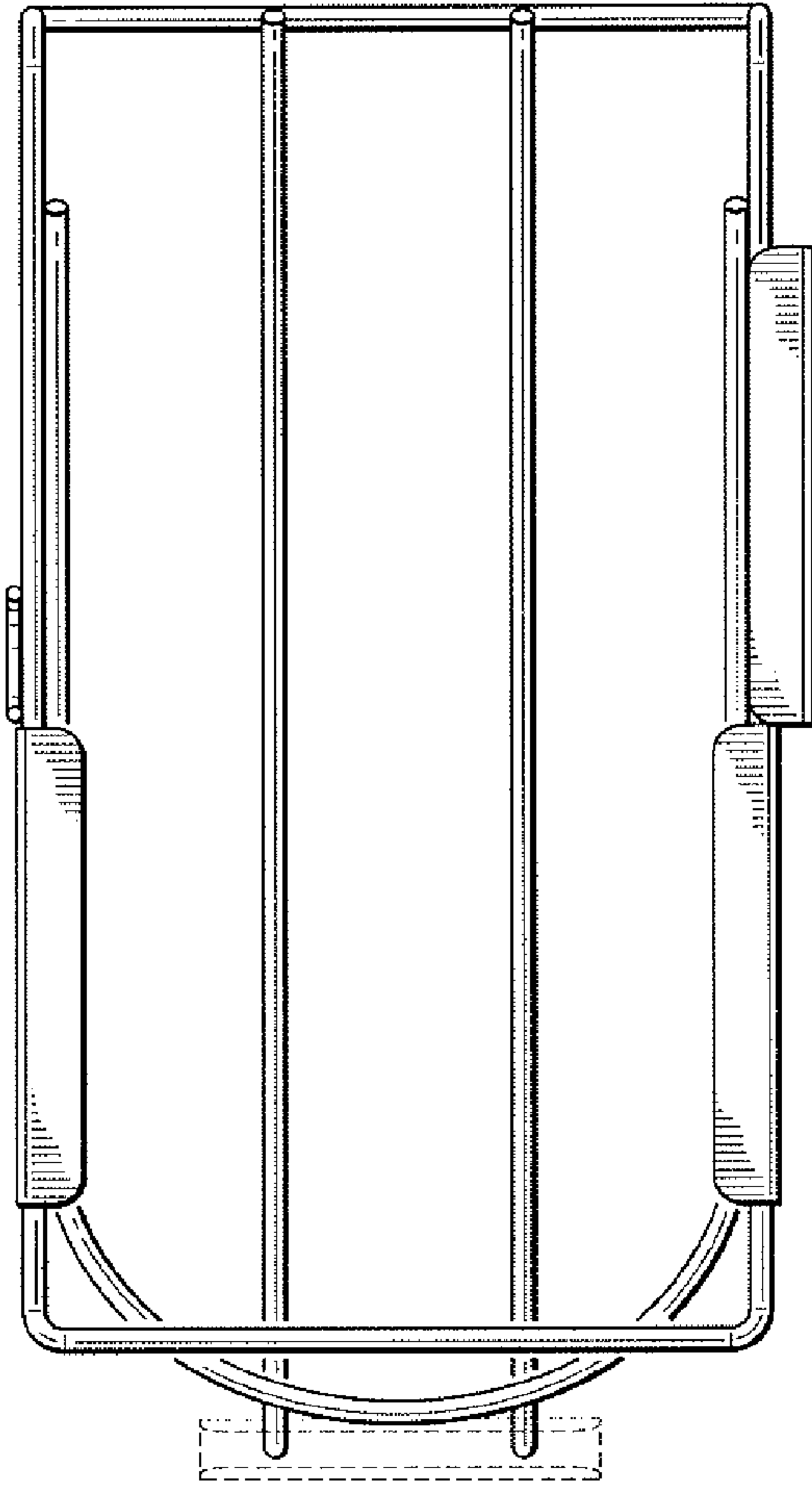


FIG. 6

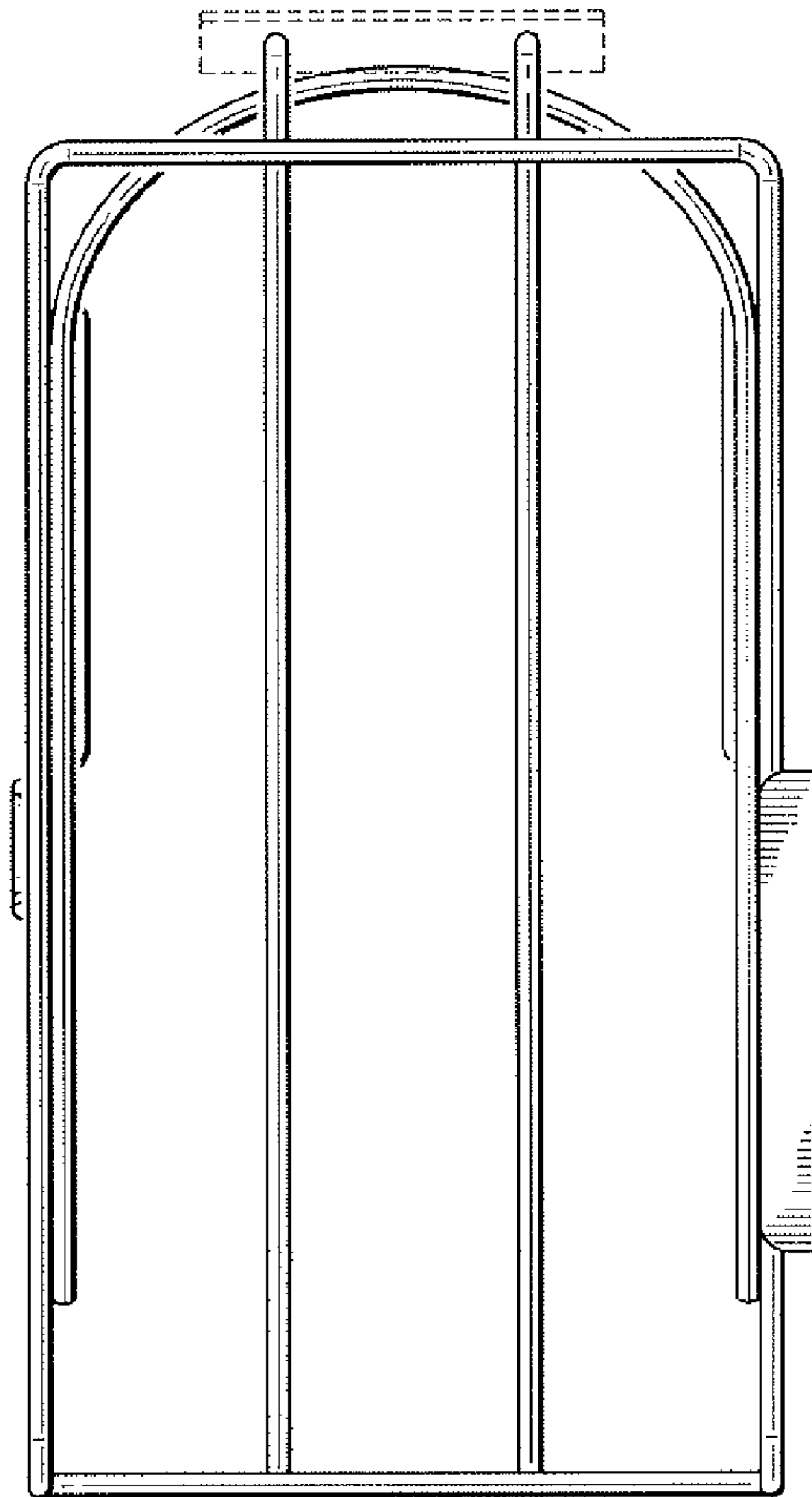


FIG. 7