



US00D562589S

(12) **United States Design Patent**
Mellon

(10) **Patent No.:** **US D562,589 S**

(45) **Date of Patent:** **** Feb. 26, 2008**

(54) **COOLING SCREEN AND LID**

(76) **Inventor:** **Shelly Mellon**, 5121 Welch Rd., Little Hocking, OH (US) 45742

(**) **Term:** **14 Years**

(21) **Appl. No.:** **29/243,361**

(22) **Filed:** **Nov. 25, 2005**

(51) **LOC (8) Cl.** **06-04**

(52) **U.S. Cl.** **D6/449; D6/300**

(58) **Field of Classification Search** 40/700,
40/711, 735, 714-716, 719-722, 798; D6/449,
D6/300-314; D29/29-32; D30/161; 119/265;
D14/447; 96/147

See application file for complete search history.

(56) **References Cited**

U.S. PATENT DOCUMENTS

3,376,695	A *	4/1968	Muckley	96/147
3,797,693	A *	3/1974	Baker	220/370
D243,378	S *	2/1977	Tharp	D6/300
D270,061	S *	8/1983	Ackeret	D6/308
4,576,115	A *	3/1986	Gordon	119/265
4,721,140	A	1/1988	Coker	
4,747,392	A	5/1988	Rogers	
D298,489	S *	11/1988	Sornborger	D6/300
D333,574	S *	3/1993	Ackeret	D6/300
D351,489	S *	10/1994	Helfrick	D30/161
D351,694	S *	10/1994	Evans	D30/161
D378,451	S *	3/1997	Schmidt	D30/161
D395,548	S *	6/1998	Morissette	D3/307
6,056,146	A	5/2000	Varakian et al.	
6,100,514	A	8/2000	Davis	
D435,149	S *	12/2000	Kleinberg	D30/161

6,230,914	B1	5/2001	Wang	
D494,427	S *	8/2004	Kaposi et al.	D7/667
D498,025	S *	11/2004	Tessier et al.	D30/161
D506,074	S *	6/2005	Chen et al.	D6/300
D519,121	S *	4/2006	Zamanian	D14/447
D530,926	S *	10/2006	Sellers	D6/300

* cited by examiner

Primary Examiner—Caron D. Veynar

Assistant Examiner—Sydney R. Buffalow

(74) *Attorney, Agent, or Firm*—Theresa M. Seal

(57) **CLAIM**

The ornamental design for a cooling screen and lid, as shown and described.

DESCRIPTION

FIG. 1 is a perspective view of a cooling screen and lid showing my new design;

FIG. 2 is an exploded perspective view thereof;

FIG. 3 is an exploded perspective view thereof;

FIG. 4 is a right side elevational view, the left side being a mirror image thereof;

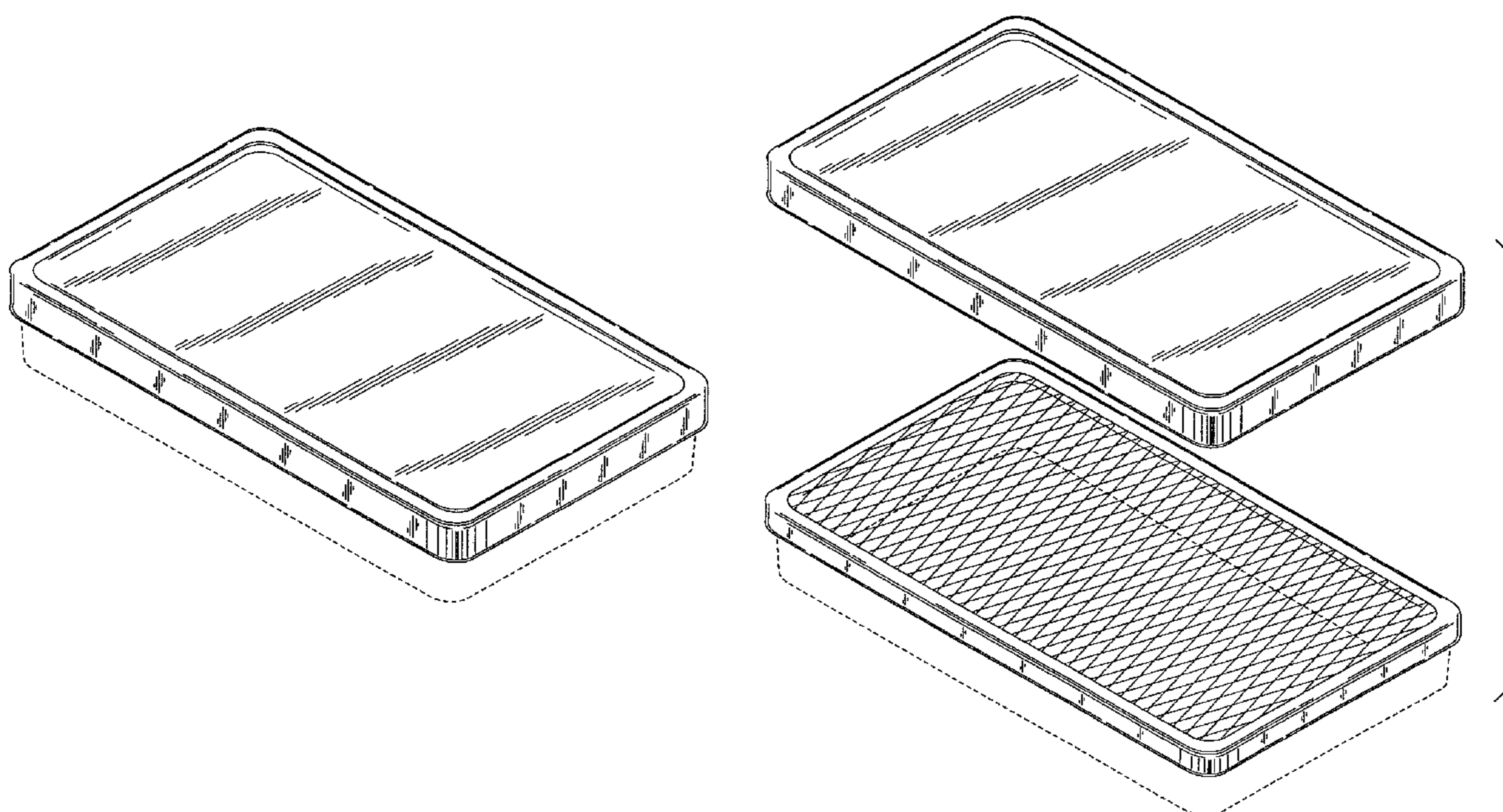
FIG. 5 is a left side elevational view, the right side being a mirror image thereof;

FIG. 6 is a top plan view with the screen and lid shown separately thereof; and,

FIG. 7 is a bottom plan view with the screen and lid shown separately.

The broken lines are for illustrative purposes and form no part of the claimed design.

1 Claim, 4 Drawing Sheets



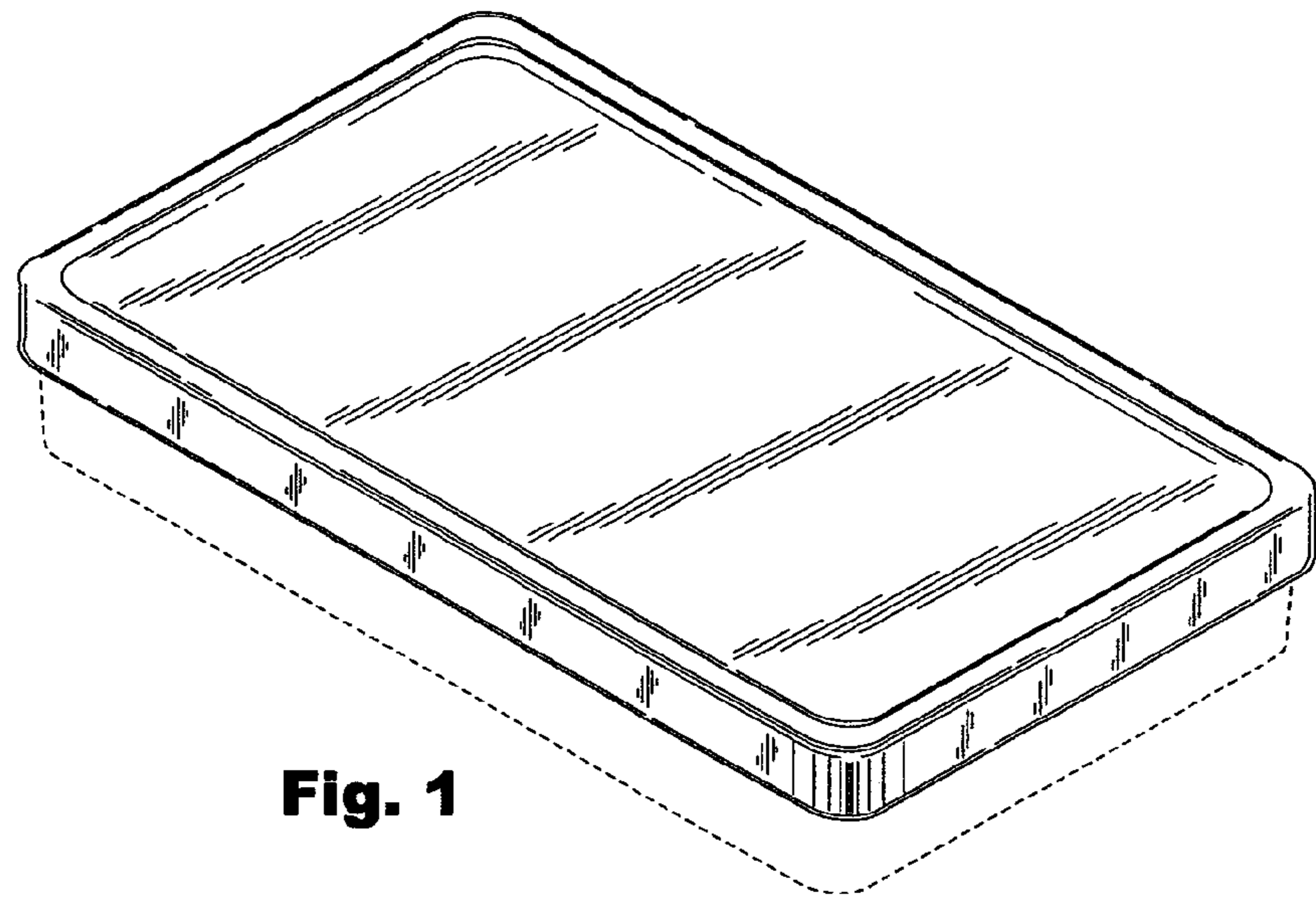


Fig. 1

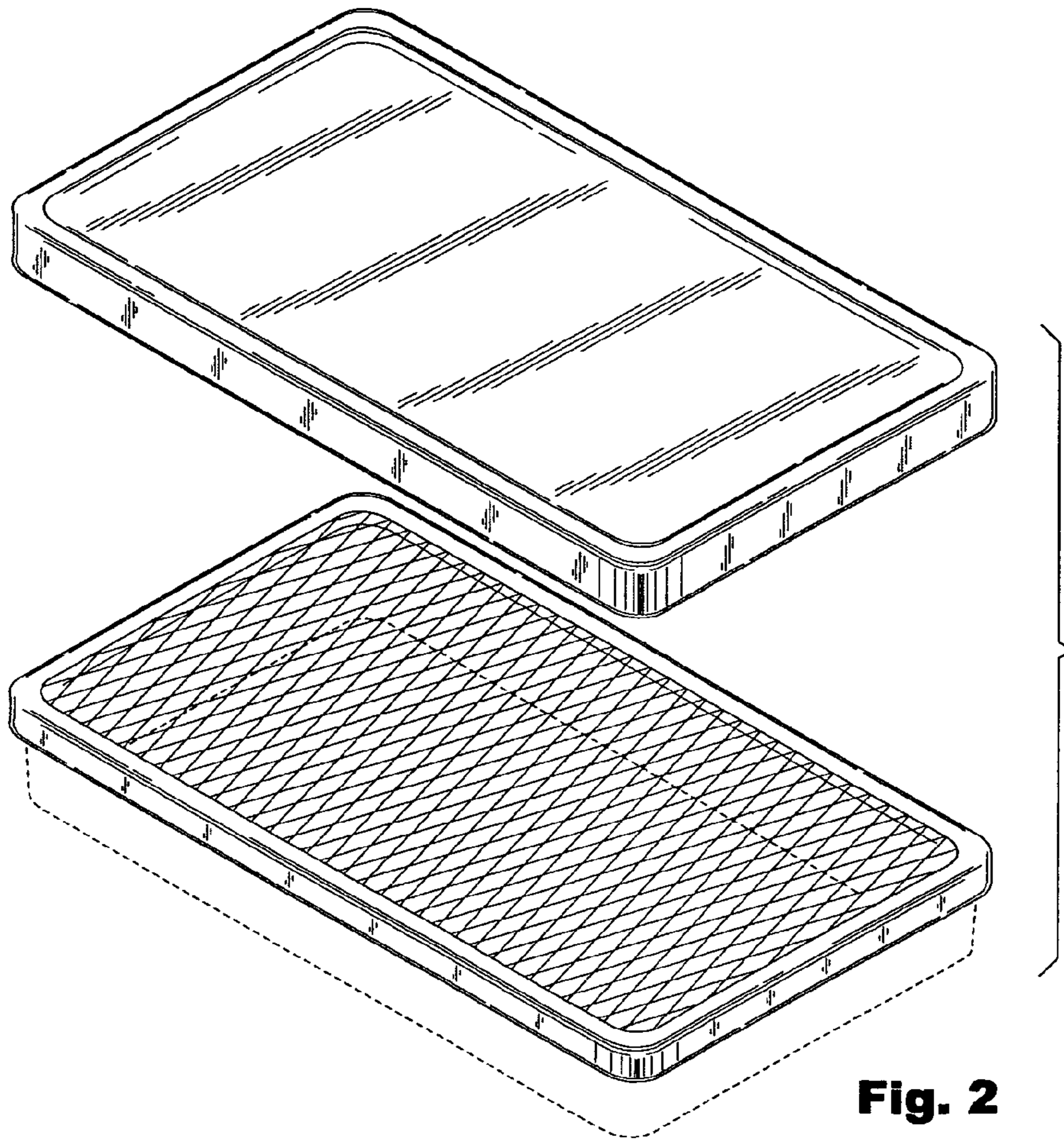
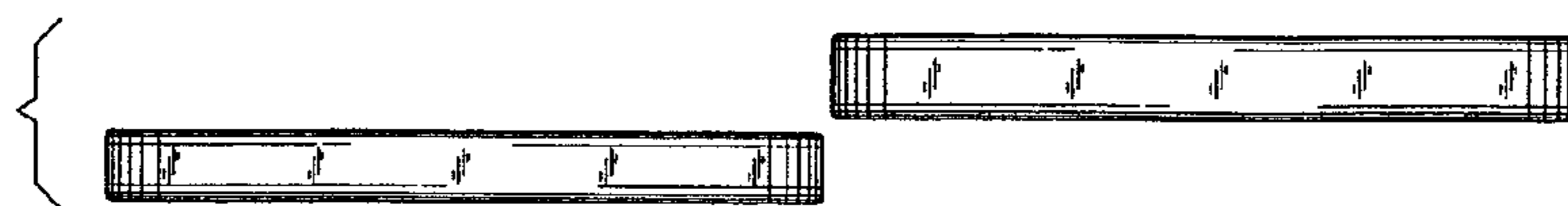
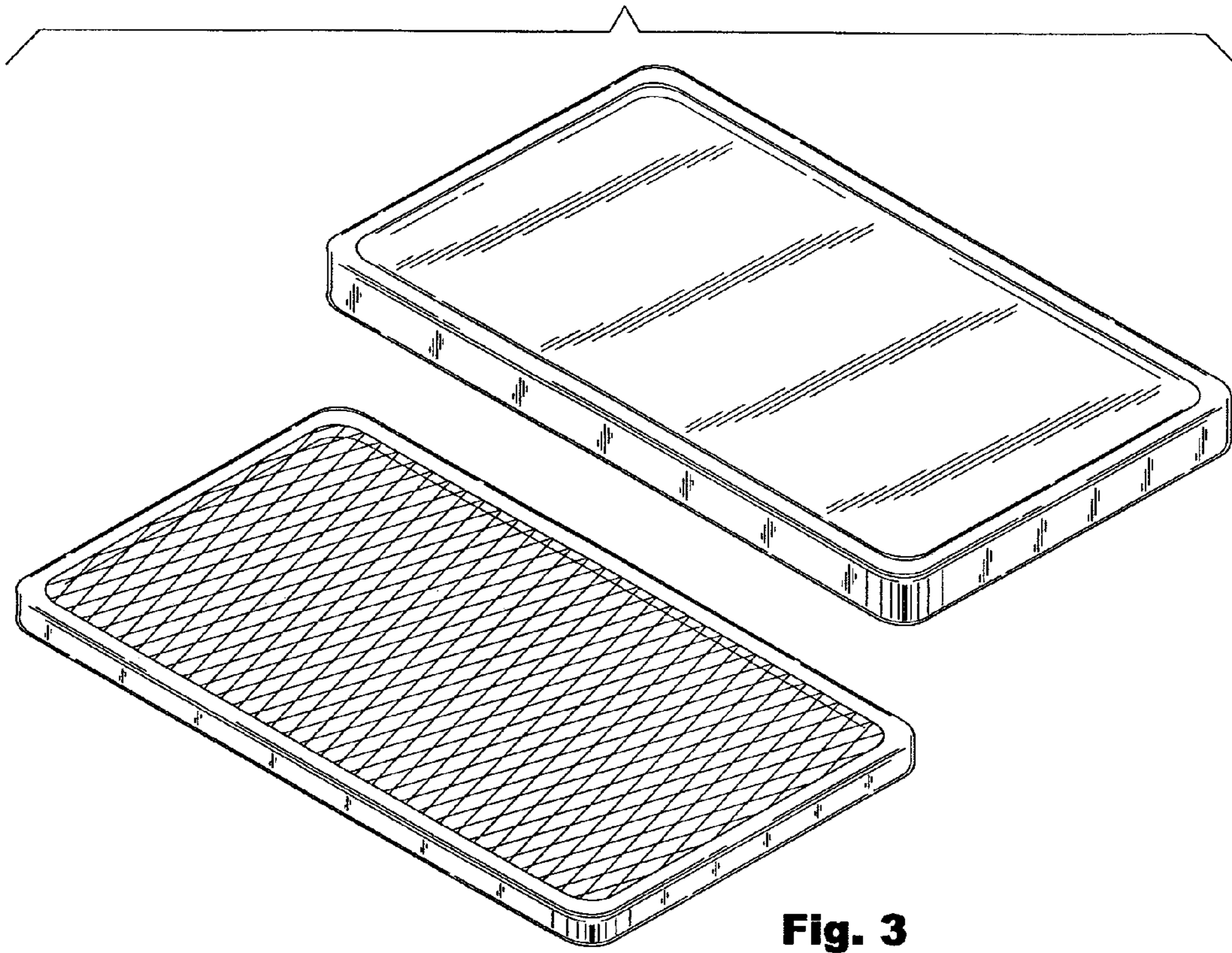


Fig. 2



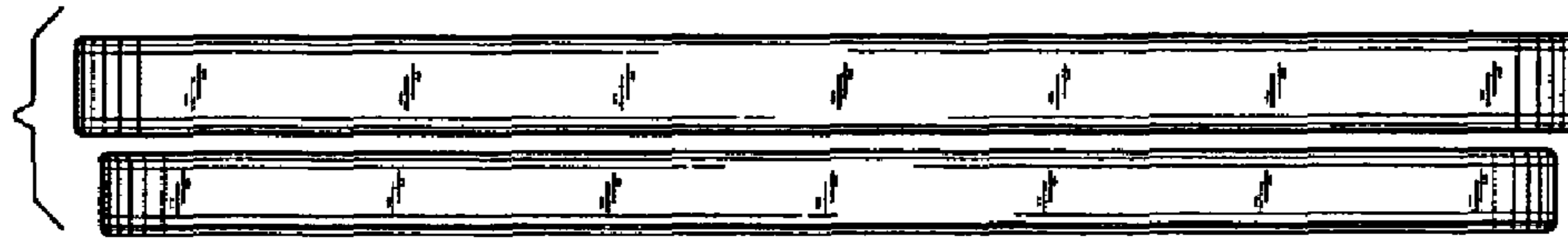


Fig. 5

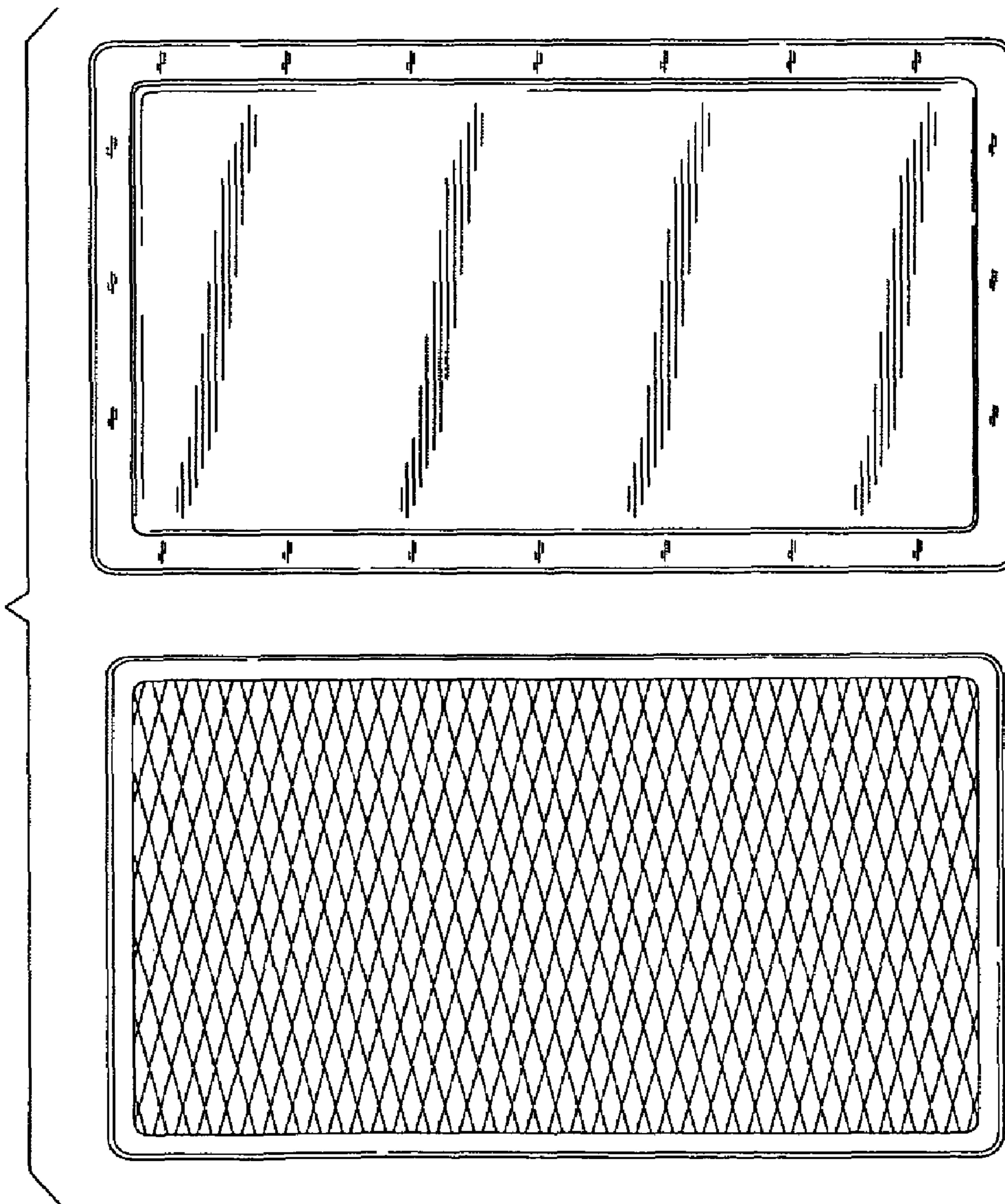


Fig. 6

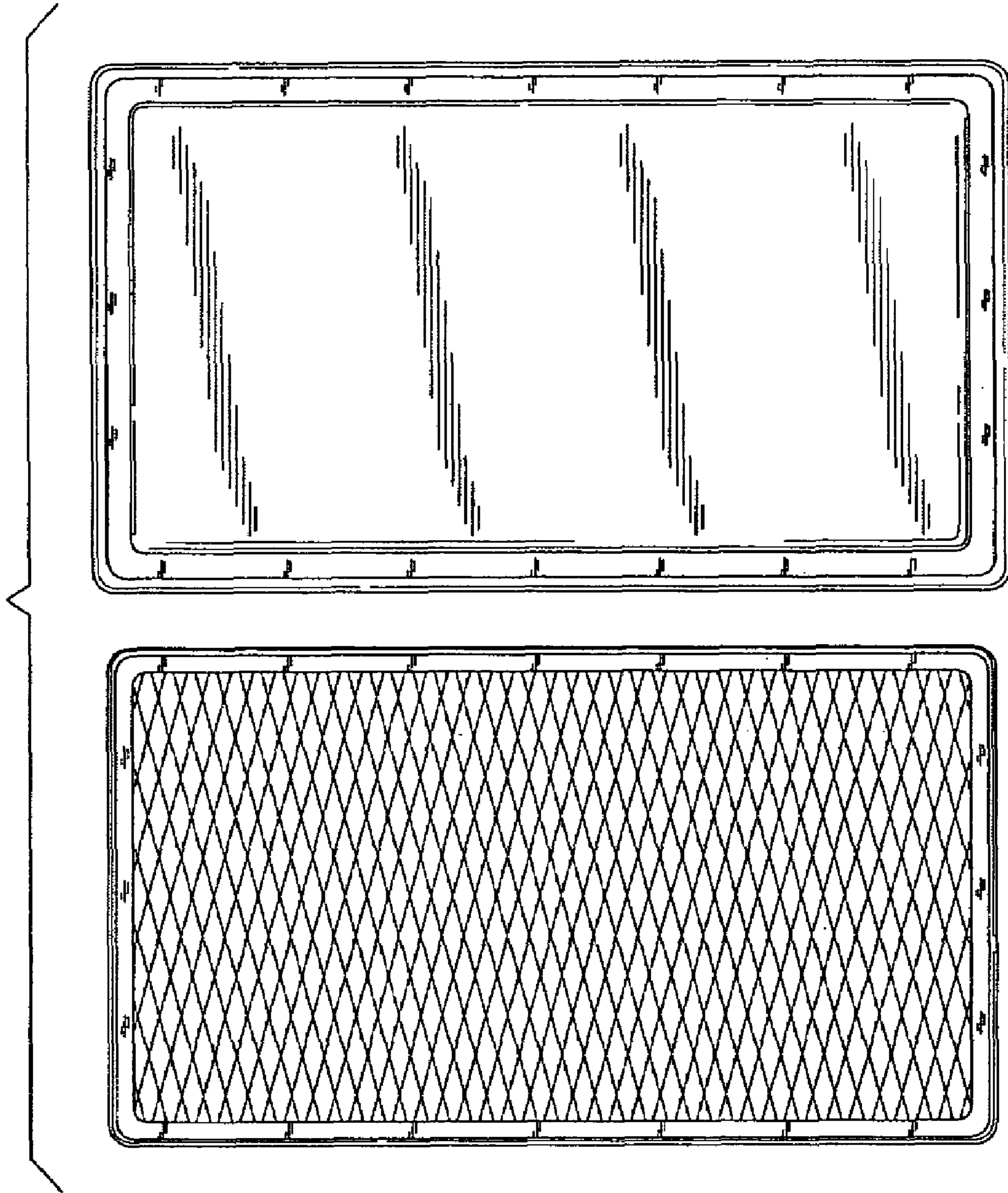


Fig. 7