



US00D562587S

(12) **United States Design Patent**
Schmitt

(10) **Patent No.:** **US D562,587 S**

(45) **Date of Patent:** **** Feb. 26, 2008**

- (54) **DRESSER**
- (75) Inventor: **Jack Schmitt**, San Juan Capistrano, CA (US)
- (73) Assignee: **Amini Innovation Corporation**, Pico Rivera, CA (US)
- (**) Term: **14 Years**
- (21) Appl. No.: **29/272,005**
- (22) Filed: **Jan. 30, 2007**
- (51) **LOC (8) Cl.** **06-04**
- (52) **U.S. Cl.** **D6/441**
- (58) **Field of Classification Search** D6/432-448;
312/138.1, 204, 224, 237, 257.1, 278, 279,
312/348.4

See application file for complete search history.

(56) **References Cited**

U.S. PATENT DOCUMENTS

- | | | | |
|--------------|---------|----------------|--------------|
| 107,479 A | 9/1870 | Gilman | |
| 2,009,225 A | 7/1935 | Farrar | |
| D109,986 S | 6/1938 | Hickerson | |
| D198,795 S | 8/1964 | Hekler | |
| D227,838 S | 7/1973 | Adkinson | |
| D234,177 S | 1/1975 | Keller | |
| D241,210 S | 8/1976 | Elsen | |
| D241,211 S | 8/1976 | Elsen | |
| D242,678 S * | 12/1976 | Adkinson | D6/438 |
| D258,331 S | 2/1981 | Brown | |
| D258,333 S | 2/1981 | Brown | |
| D265,155 S | 6/1982 | Bravo | |
| D269,927 S * | 8/1983 | Aulbert et al. | D6/446 |
| D270,125 S * | 8/1983 | Aulbert et al. | D6/446 |
| D272,698 S | 2/1984 | Aulbert et al. | |
| D321,438 S | 11/1991 | Pauer et al. | |
| D341,502 S | 11/1993 | Ball | |
| D343,744 S | 2/1994 | Keller | |
| D346,915 S | 5/1994 | Roser, Jr. | |
| D350,656 S | 9/1994 | Ferguson | |
| D371,257 S | 7/1996 | Paus | |
| D373,033 S | 8/1996 | Rosebrock | |
| D374,783 S | 10/1996 | Keller et al. | |

- | | | | |
|--------------|---------|---------------------|--------------|
| D383,330 S | 9/1997 | Lowery | |
| D384,518 S | 10/1997 | Bergelin | |
| D387,568 S | 12/1997 | Walters, III et al. | |
| D400,733 S | 11/1998 | O'Hare | |
| D406,202 S | 3/1999 | Zaidman | |
| D411,050 S | 6/1999 | Keller et al. | |
| D412,413 S | 8/1999 | Keller et al. | |
| D418,328 S | 1/2000 | O'Hare | |
| D419,796 S | 2/2000 | O'Hare | |
| D424,831 S | 5/2000 | O'Hare | |
| D425,329 S | 5/2000 | O'Hare | |
| D437,503 S | 2/2001 | Ungaro | |
| D443,438 S | 6/2001 | O'Hare et al. | |
| D447,887 S | 9/2001 | O'Hare et al. | |
| D448,205 S * | 9/2001 | O'Hare et al. | D6/446 |
| D450,203 S | 11/2001 | Vaaler | |

(Continued)

OTHER PUBLICATIONS

Ethan Allan Circular, Legacy Collection Dresser with Mirror (reflected in mirror), p. 5, 1996.

(Continued)

Primary Examiner—Mimosa De
(74) *Attorney, Agent, or Firm*—Cislo & Thomas, LLP

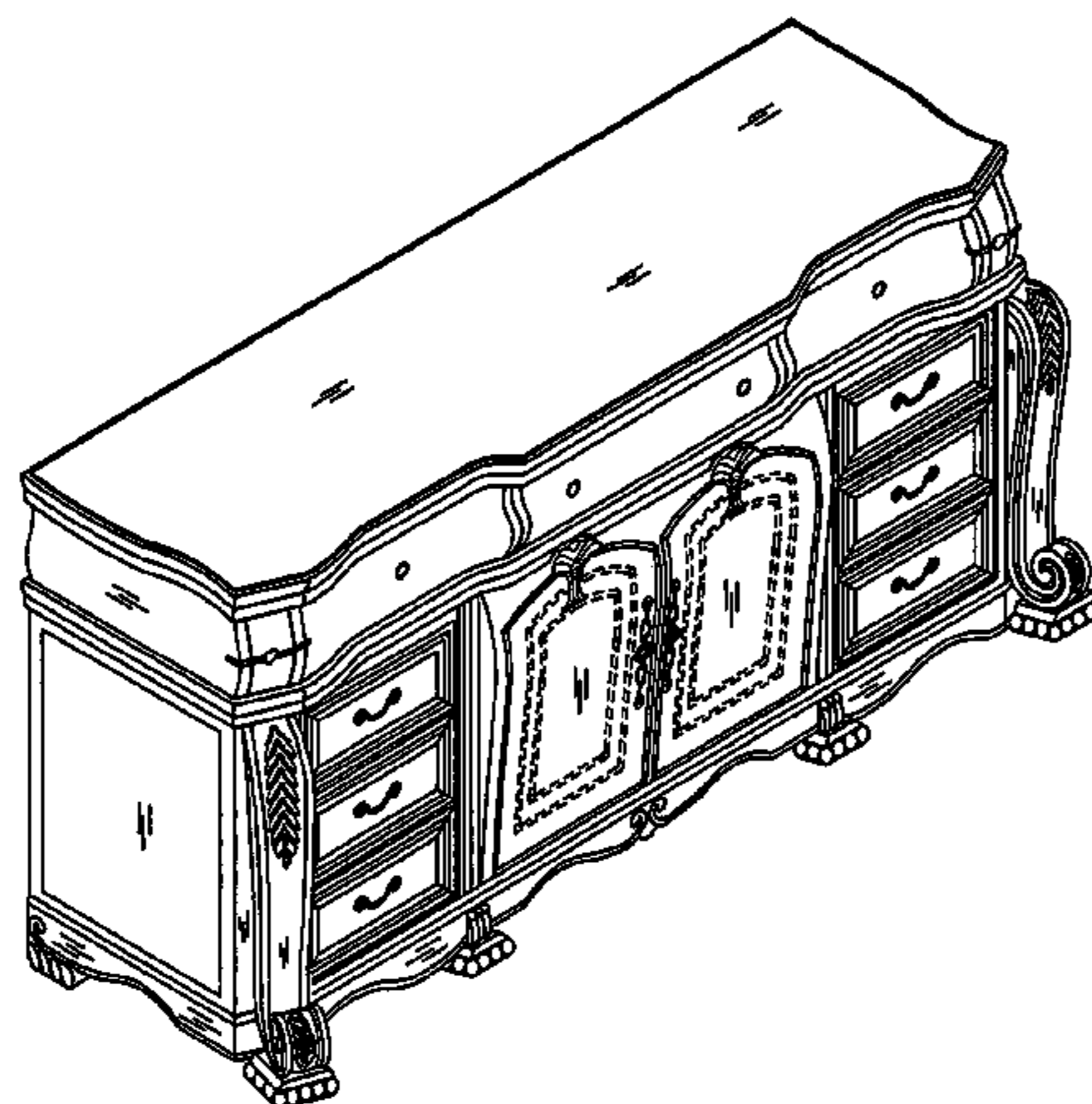
(57) **CLAIM**

The ornamental design for a dresser, as shown and described.

DESCRIPTION

FIG. 1 is a perspective view of my dresser;
 FIG. 2 is a front view thereof;
 FIG. 3 is a right side view thereof;
 FIG. 4 is a left side view thereof;
 FIG. 5 is a top view thereof; and,
 FIG. 6 is an enlarged fragmented perspective detail of the right front corner leg of my dresser.

1 Claim, 6 Drawing Sheets



US D562,587 S

Page 2

U.S. PATENT DOCUMENTS

D451,700 S 12/2001 Vaaler
D454,729 S 3/2002 Vaaler
D459,111 S 6/2002 Tobin, Jr.
D467,095 S 12/2002 Vaaler
D468,930 S 1/2003 Berry, Jr. et al.
D469,626 S 2/2003 Vaaler
D469,631 S 2/2003 Vaaler
D469,982 S 2/2003 Warren et al.
D469,984 S * 2/2003 O'Hare D6/441
D470,686 S 2/2003 O'Hare
D472,733 S 4/2003 McDaniel et al.
D473,400 S 4/2003 O'Hare
D474,054 S 5/2003 Warren et al.
D474,922 S 5/2003 Vaaler
D475,868 S 6/2003 Vaaler
D476,505 S 7/2003 Lenger
D477,725 S 7/2003 McDaniel et al.
D480,236 S 10/2003 Schmitt
D480,896 S * 10/2003 Paus D6/446
D480,898 S * 10/2003 Schmitt D6/470
D481,555 S 11/2003 Schmitt
D482,901 S 12/2003 Stanton
D483,962 S 12/2003 Stanton
D484,319 S 12/2003 Domack
D485,079 S 1/2004 Warren et al.
D487,201 S 3/2004 Schmitt
D487,202 S * 3/2004 Schmitt D6/470
D487,548 S 3/2004 Schmitt
D488,638 S 4/2004 Stanton
D488,936 S 4/2004 Schmitt
D490,626 S 6/2004 Risdon et al.
D508,795 S 8/2005 Mirchand

D513,673 S * 1/2006 Domack et al. D6/441
D525,048 S * 7/2006 Mohundro D6/446
D528,325 S * 9/2006 Schmitt D6/470
D529,310 S * 10/2006 Schmitt D6/441

OTHER PUBLICATIONS

Thomasville Catalog, Replicas 1662 Triple Dresser and Mirror, p. 2, 1983.
America's Oak Furniture, Schiffer, 1988, Low Chest with Mirror, p. 90.
Golden Oak Furniture, Warren, 1992, Dresser with Mirror, p. 140.
Furniture Today, Genoa Collection Dresser with Mirror, p. 14, Oct. 11, 1999.
Thomasville, Palais Jardin Mirror Dresser and Door Chest, p. 12, 2002.
Furniture Today, Source Mktg. Group Mirror Dresser and Sumter Cabinet, p. 192, Oct. 14, 2002.
Furniture Today, Union City Imports China Hutch, p. 158, Oct. 19, 1998.
Furniture Today, AICO China Hutch, p. 15, Oct. 16, 2000.
Furniture Today, Broyhill China Hutch, p. 11, Apr. 16, 2001.
Furniture Today, Marge Carson wall unit, p. 126, Oct. 11, 1999.
Furniture Today, Pulski armoire, p. 33, Apr. 15, 2002.
Amini Innovation Corp. Monte Carlo Collection, #53000 Series, 2001, 2 pages.
Amini Innovation Corp. La Francaise Collection, #50000 Series, Sep. 11, 2002, 5 pages.
Amini Innovation Corp. Royal Oak Collection #31000 Series, Sep. 11, 2002, 1 page.
Amini Innovation Corp. Torino Collection, #56000 Series, Apr. 18, 2002, 1 page.

* cited by examiner

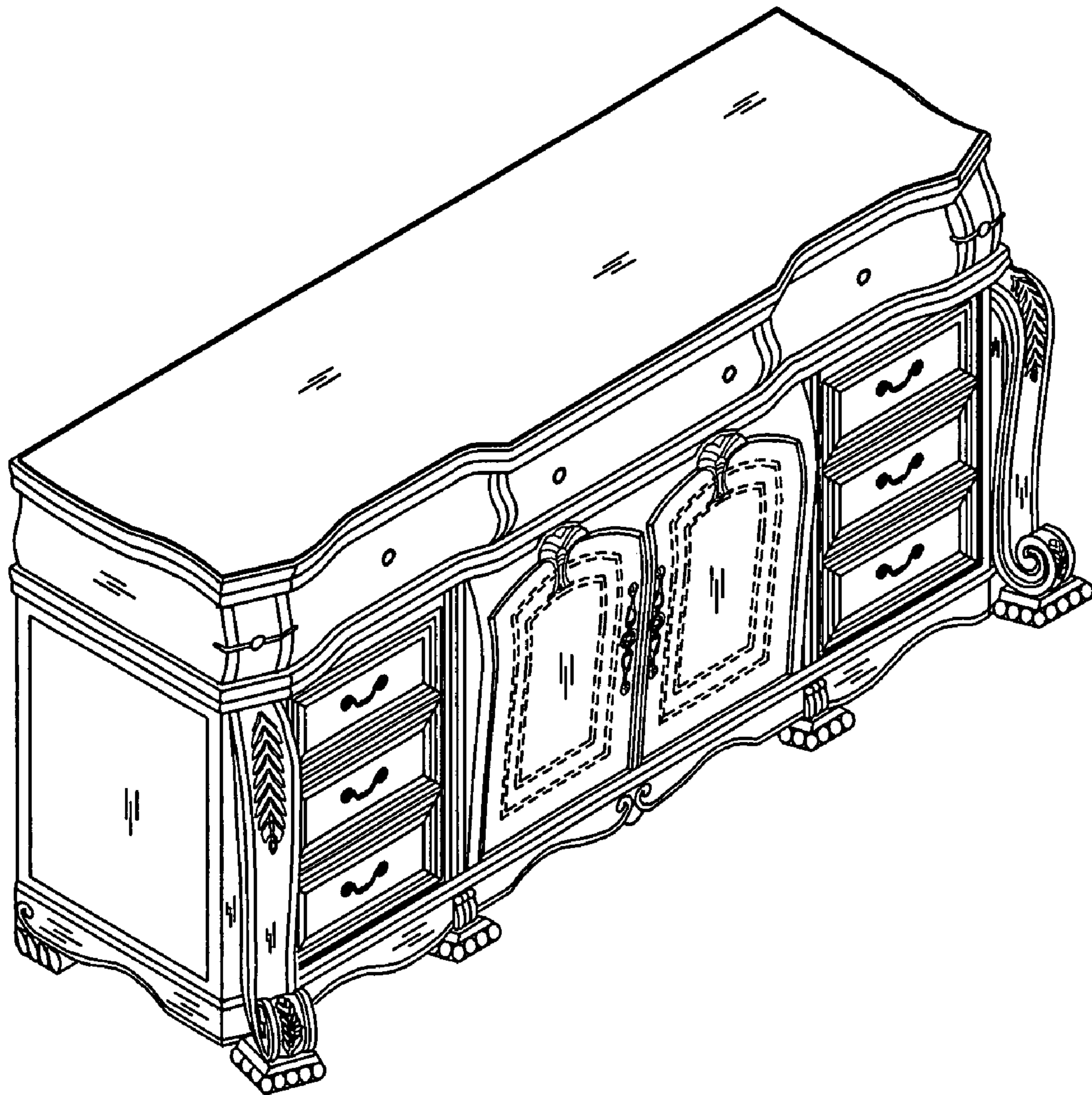


FIG. 1

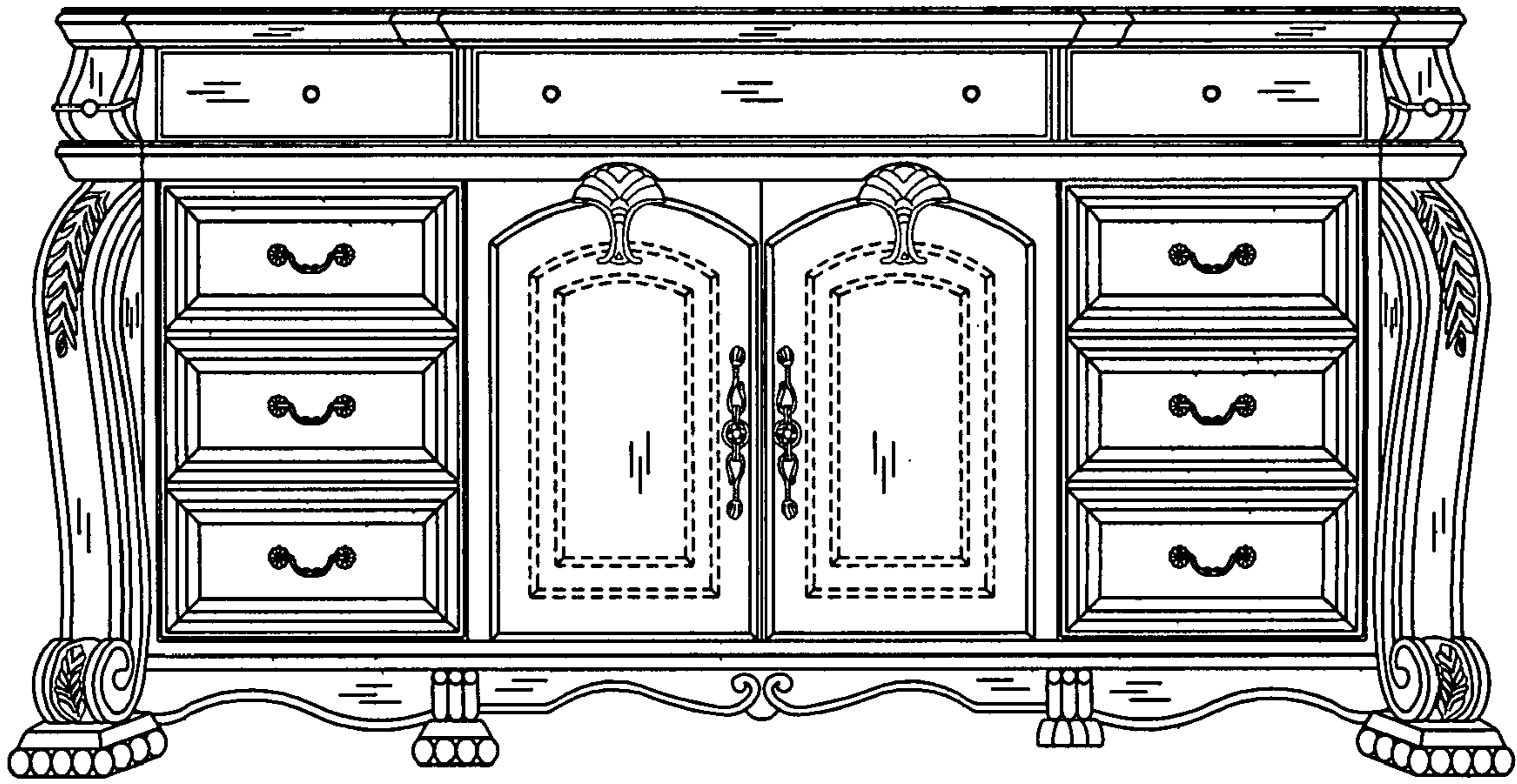


FIG. 2

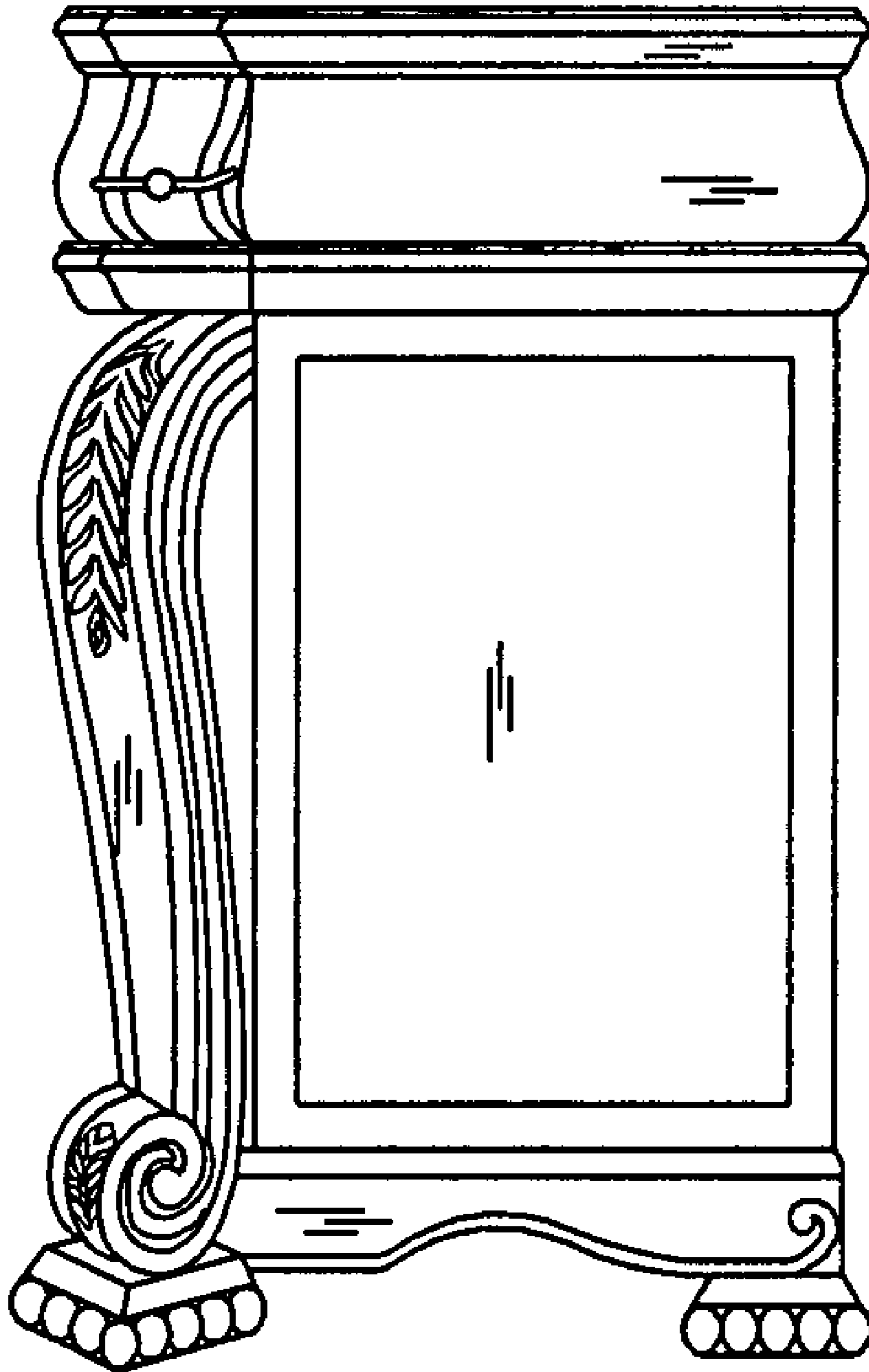


FIG. 3

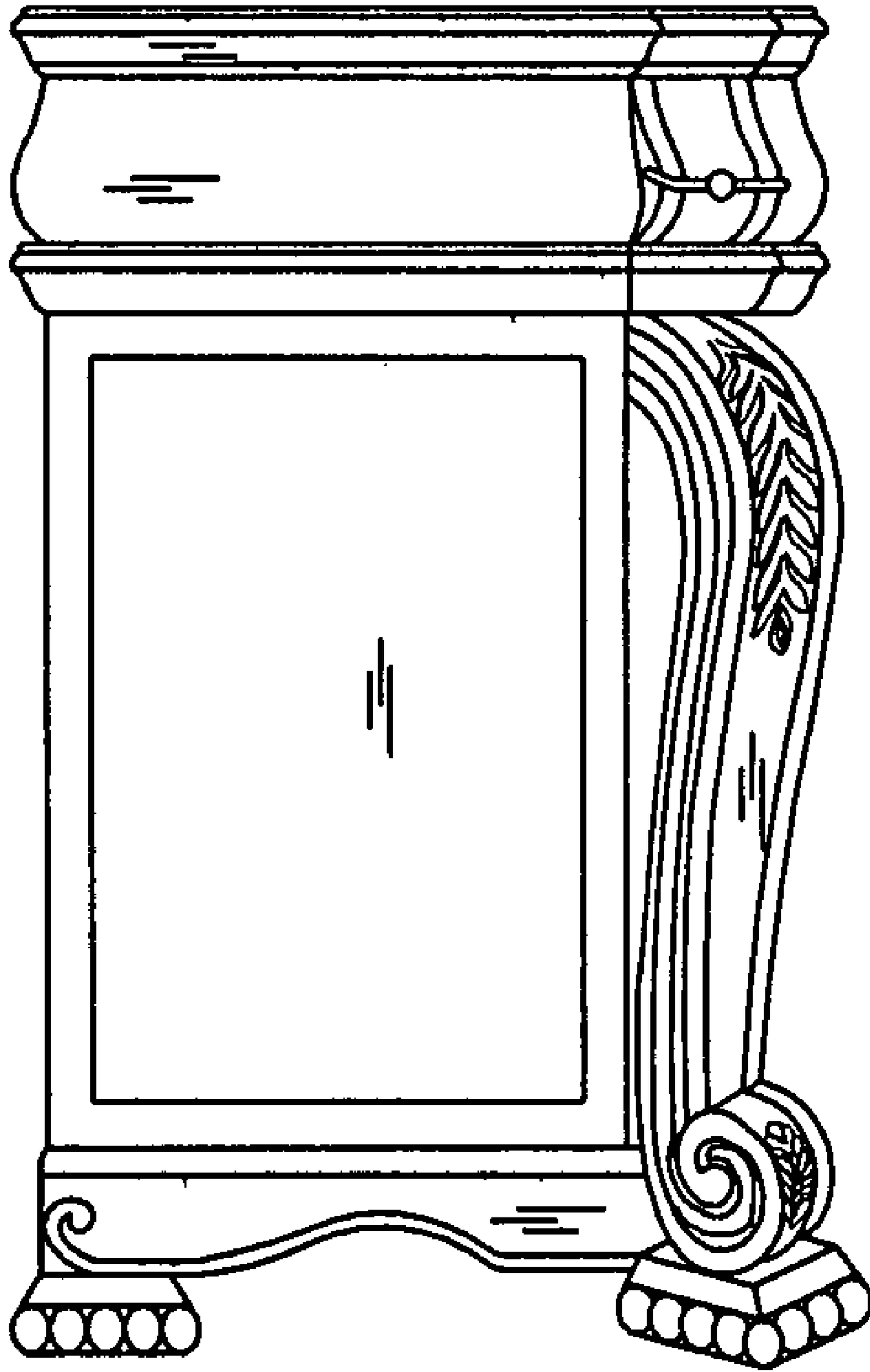


FIG. 4

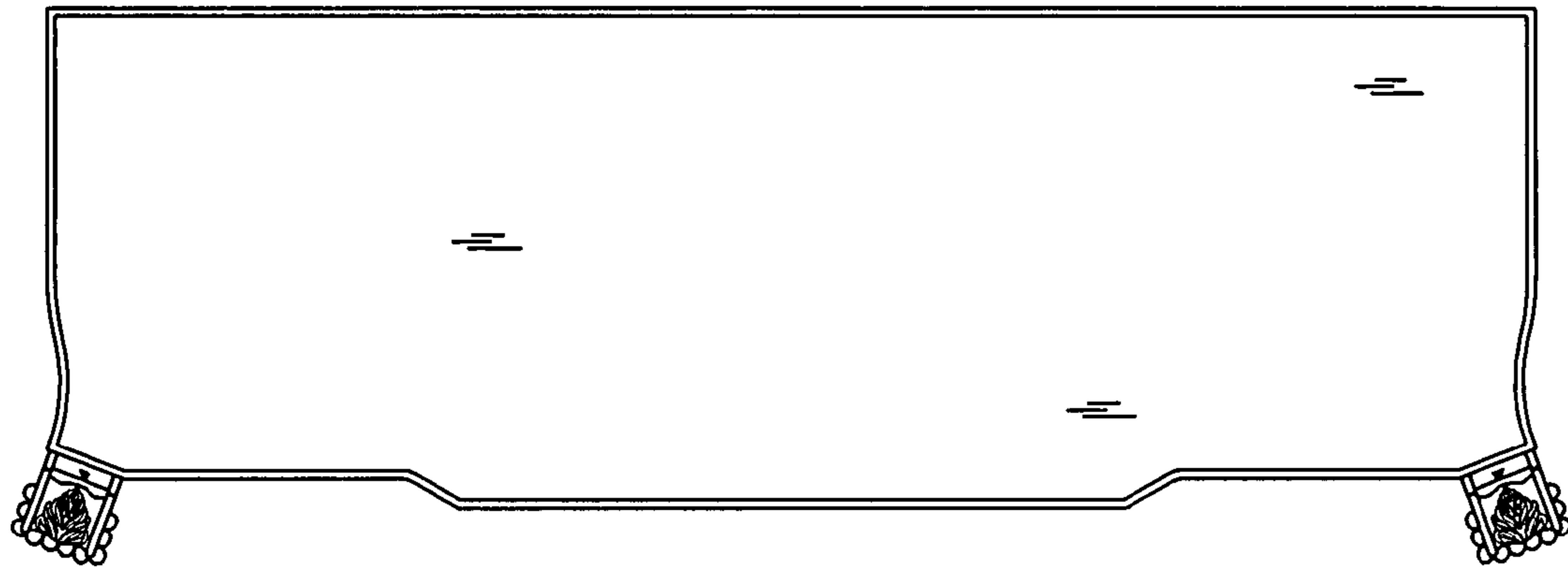


FIG. 5

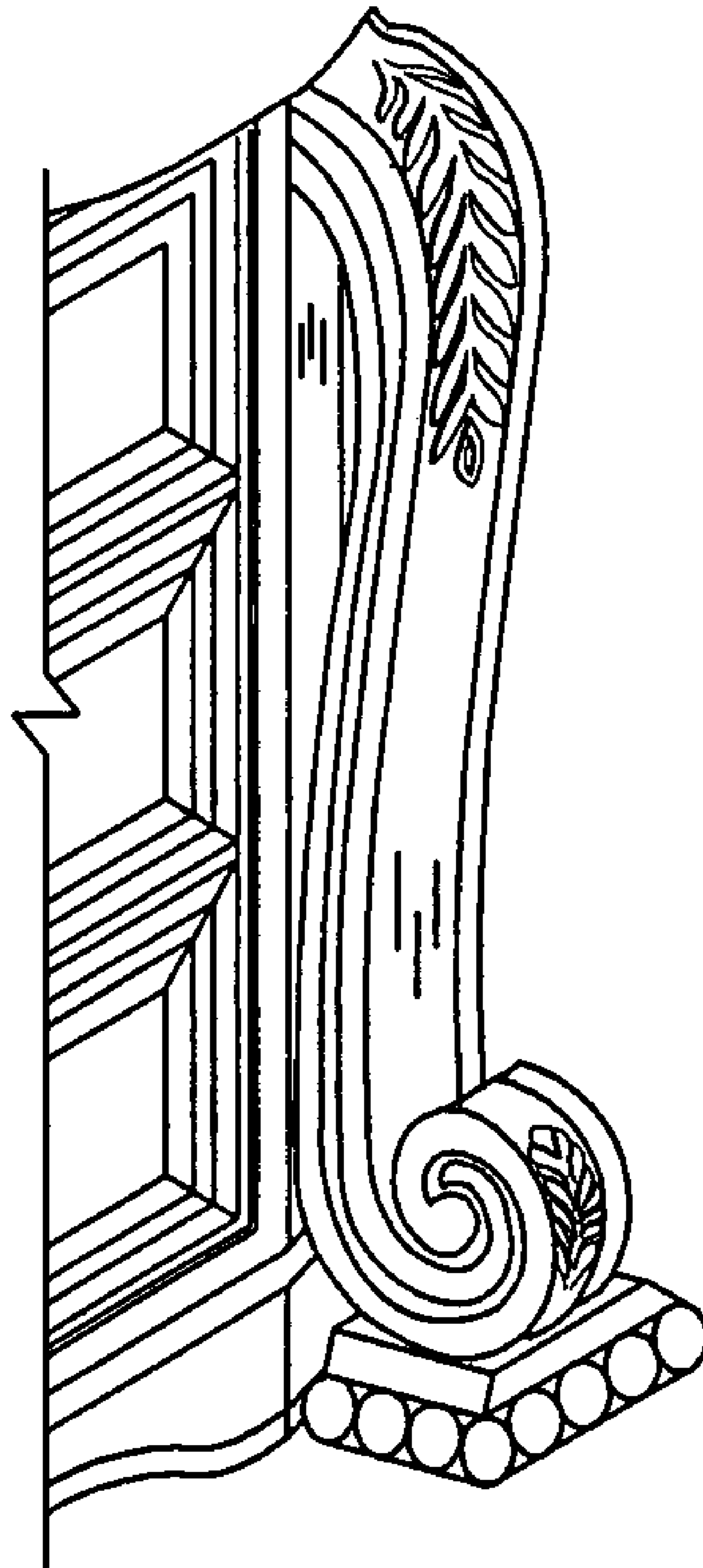


FIG. 6