



US00D562585S

(12) **United States Design Patent**
Gillingham

(10) **Patent No.:** **US D562,585 S**

(45) **Date of Patent:** **** Feb. 26, 2008**

(54) **MOBILE PLANT STAND**

(76) Inventor: **Robert Gillingham**, 15201 NE. 6th Pl.,
Bellevue, WA (US) 98007

(**) Term: **14 Years**

(21) Appl. No.: **29/280,293**

(22) Filed: **May 23, 2007**

(51) **LOC (8) Cl.** **11-02**

(52) **U.S. Cl.** **D6/403; D6/498**

(58) **Field of Classification Search** D6/366,
D6/403-405, 498; D11/143-149; D99/19;
47/32.7, 33, 41.01, 41.1, 41.11, 44-47, 65,
47/65.5, 66.2, 66.7, 67-69, 83, 84
See application file for complete search history.

(56) **References Cited**

U.S. PATENT DOCUMENTS

D336,380 S *	6/1993	Roseen et al.	D6/366
D404,598 S *	1/1999	Chen	D6/498
D417,100 S *	11/1999	Lee	D6/498
D448,219 S *	9/2001	Parker	D6/498
D481,885 S *	11/2003	Sellers	D6/403
D503,562 S *	4/2005	Sellers	D6/403

D509,387 S *	9/2005	Chen	D6/498
7,114,288 B1 *	10/2006	Kershaw	47/39
D531,420 S *	11/2006	Kita	D6/366

* cited by examiner

Primary Examiner—Caron D. Veynar

Assistant Examiner—Garth Rademaker

(74) *Attorney, Agent, or Firm*—Black Lowe and Graham

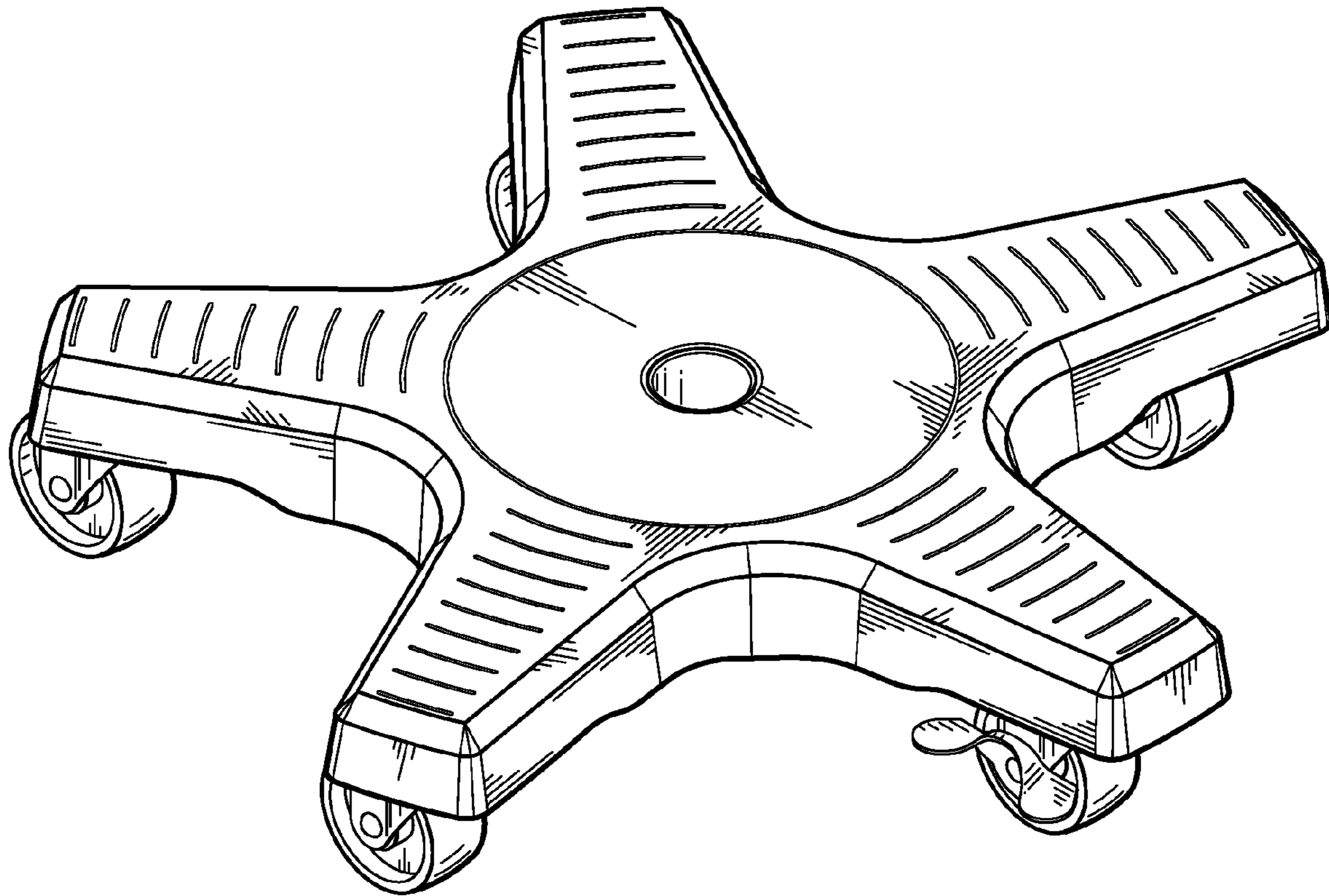
(57) **CLAIM**

I claim the ornamental design for a mobile plant stand, as shown.

DESCRIPTION

FIG. 1 is a perspective view of a mobile plant stand;
FIG. 2 is a top view of the mobile plant stand;
FIG. 3 is a bottom view of the mobile plant stand;
FIG. 4 is front view of the mobile plant stand;
FIG. 5 is a rear view of the mobile plant stand;
FIG. 6 is a right side view of the mobile plant stand; and,
FIG. 7 is a left side view of the mobile plant stand.

1 Claim, 7 Drawing Sheets



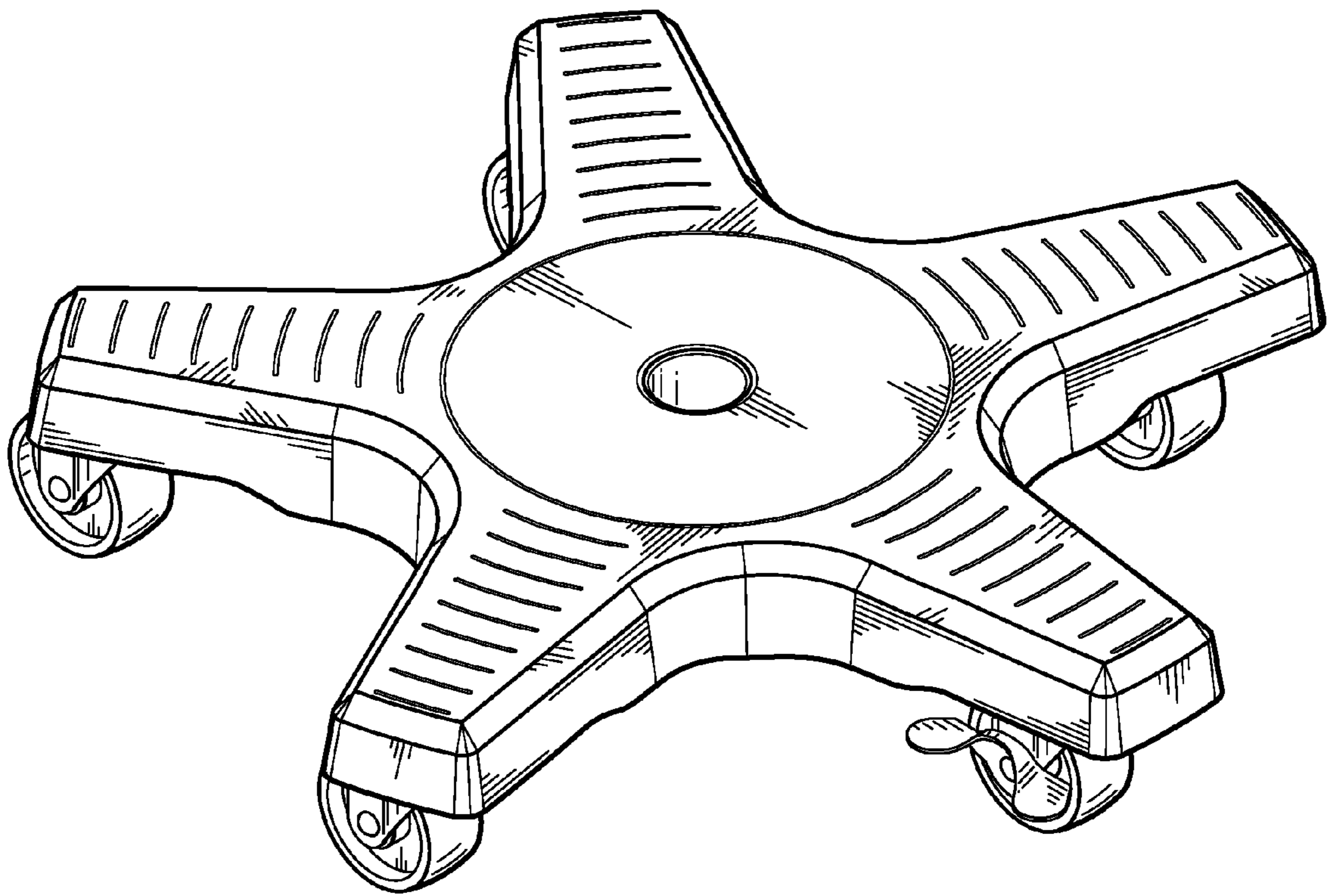


FIG. 1

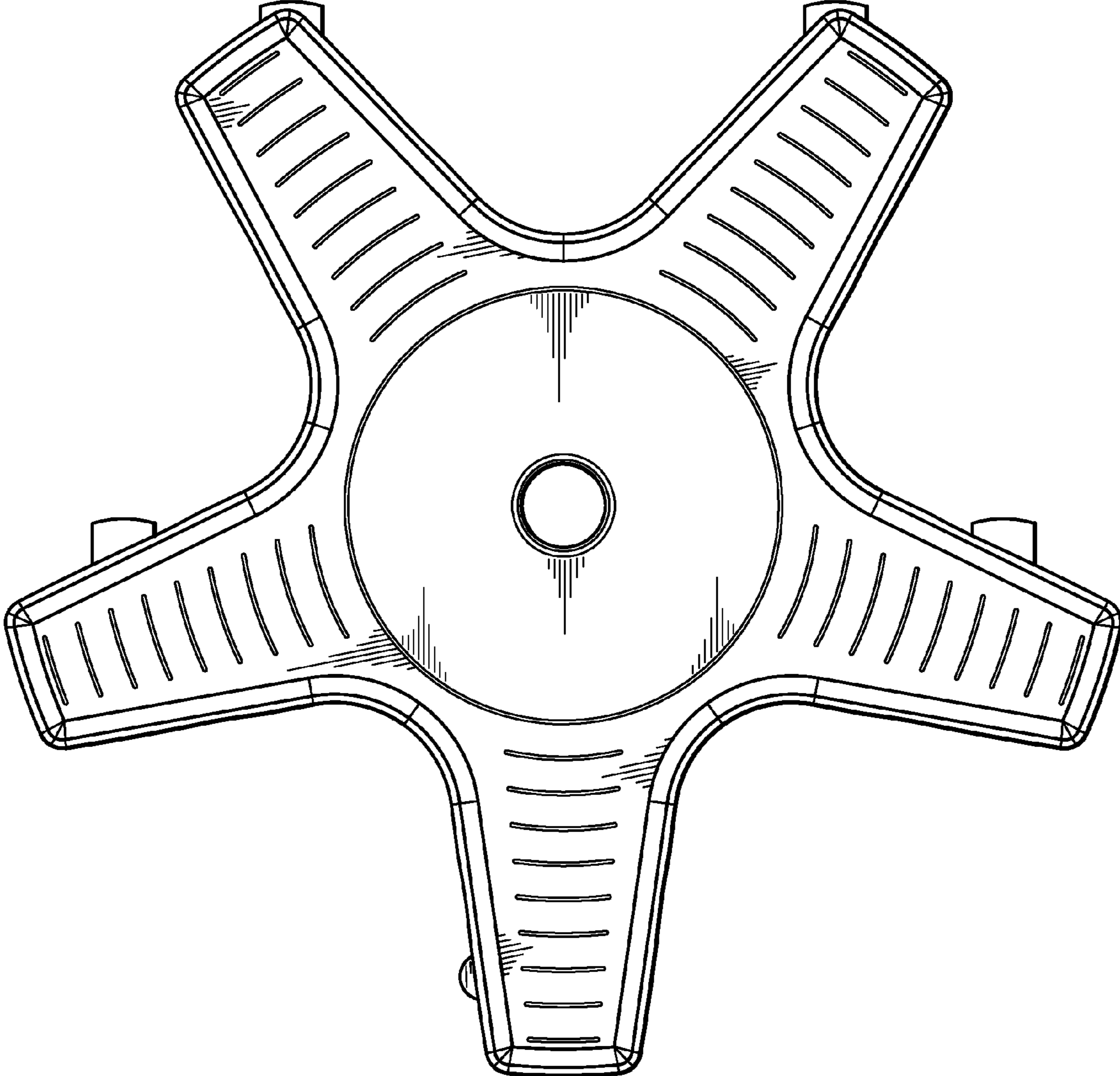


FIG. 2

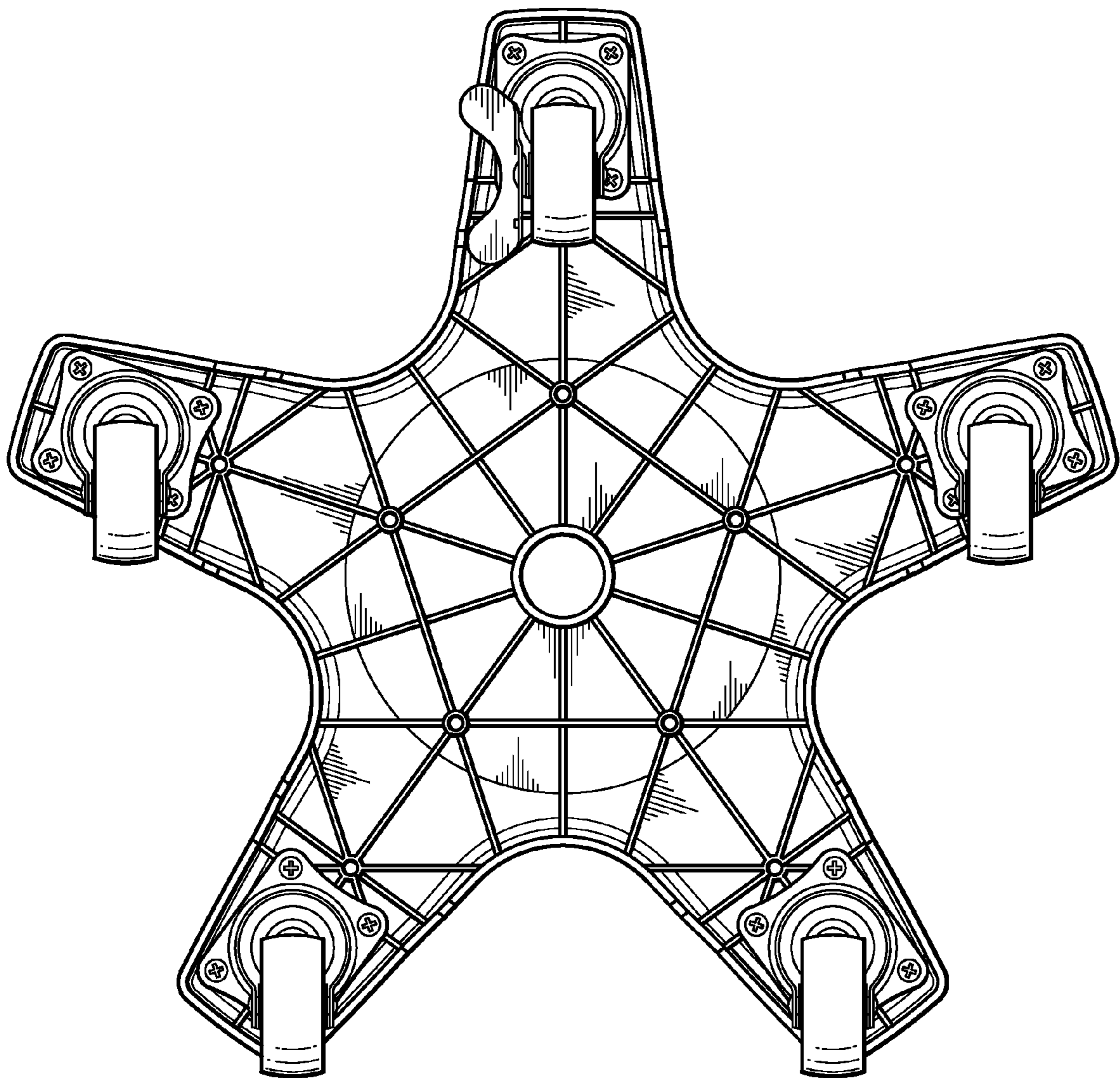


FIG. 3

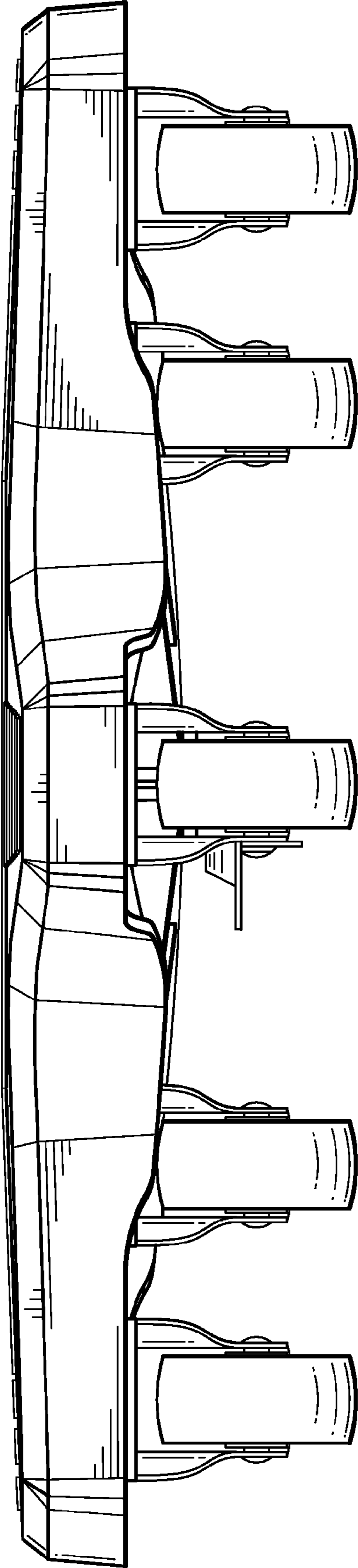


FIG. 4

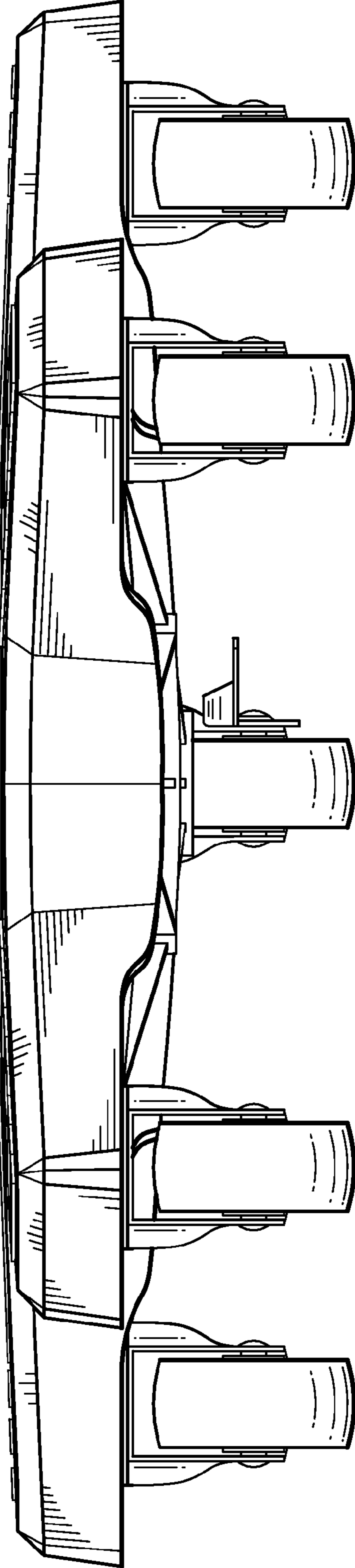


FIG. 5

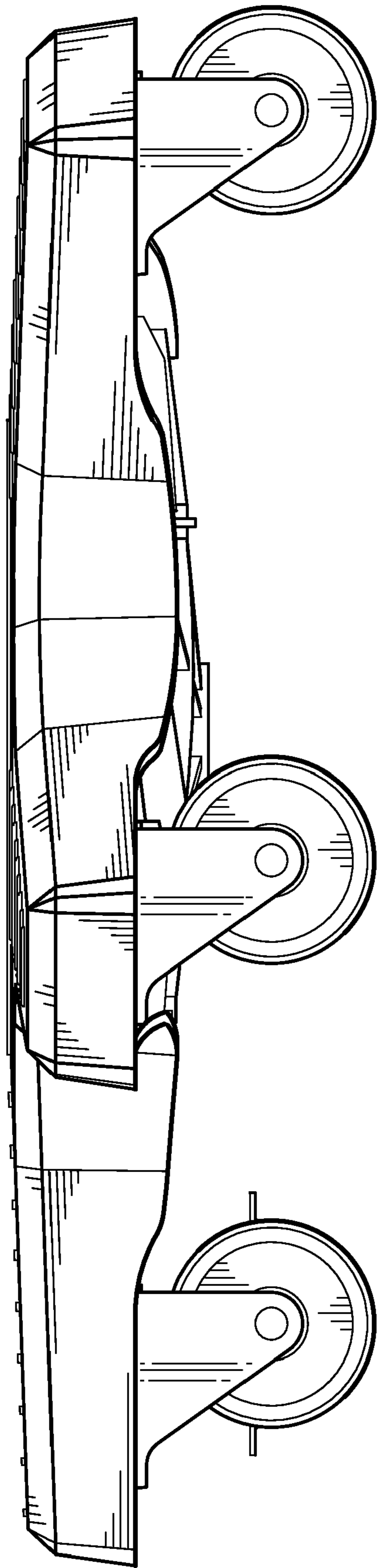


FIG. 6

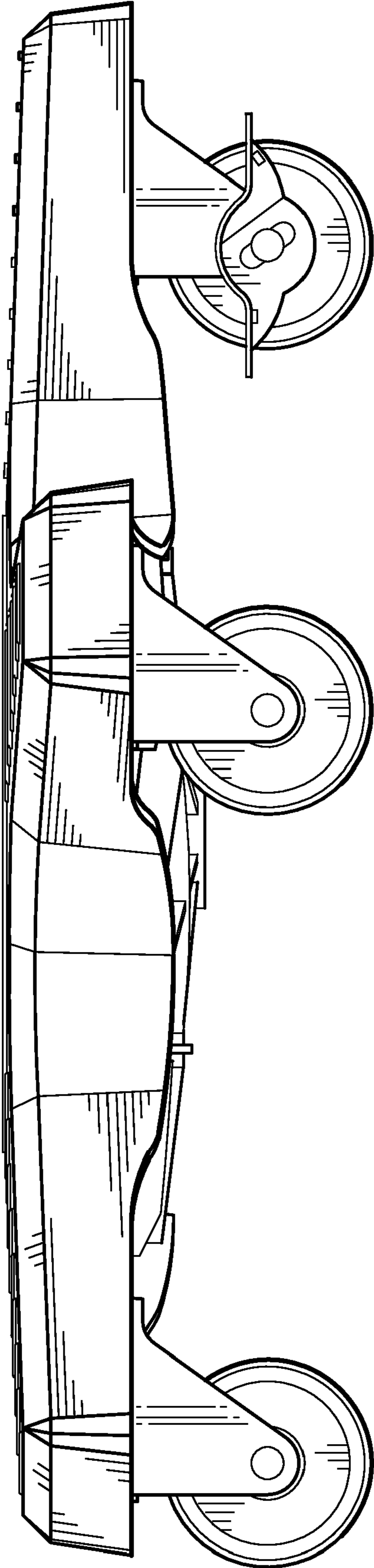


FIG. 7