

US00D562582S

(12) **United States Design Patent**  
**Hackethal et al.**

(10) **Patent No.:** **US D562,582 S**

(45) **Date of Patent:** **\*\* Feb. 26, 2008**

(54) **SOFA**

(75) Inventors: **Dorothee Hackethal**, Köln (DE);  
**André Wilps**, Pulheim (DE)

(73) Assignee: **lc Lead Communications GmbH & Co. KG**, Cologne (DE)

(\*\*) Term: **14 Years**

(21) Appl. No.: **29/275,338**

(22) Filed: **Dec. 21, 2006**

(30) **Foreign Application Priority Data**

Sep. 13, 2006 (DE) ..... 4 06 04 724

(51) **LOC (8) Cl.** ..... **06-01**

(52) **U.S. Cl.** ..... **D6/381**

(58) **Field of Classification Search** ..... D6/334-337,  
D6/346, 377, 381, 500-502; 297/232, 445.1;  
5/12.1, 12.2

See application file for complete search history.

(56) **References Cited**

**U.S. PATENT DOCUMENTS**

2,217,426 A \* 10/1940 Zareko ..... 297/117  
D234,731 S \* 4/1975 McDonald ..... D6/371  
D239,580 S \* 4/1976 Robertson ..... D6/381  
3,973,800 A \* 8/1976 Kogan ..... 297/440.23

4,026,567 A \* 5/1977 Rye ..... 297/448.1  
D378,028 S \* 2/1997 Schefcik ..... D6/334  
7,020,911 B2 \* 4/2006 Oldham ..... 5/12.2  
D536,190 S \* 2/2007 Oldham ..... D6/381  
D538,054 S \* 3/2007 Lissoni ..... D6/334  
2002/0000741 A1 \* 1/2002 Clay et al. .... 297/118

**OTHER PUBLICATIONS**

Petit Comfort sofa, the Cube Collection of Le Corbusier, 1927.\*

\* cited by examiner

*Primary Examiner*—Sandra Snapp

(74) *Attorney, Agent, or Firm*—Richard M. Klein; Fay Sharpe LLP

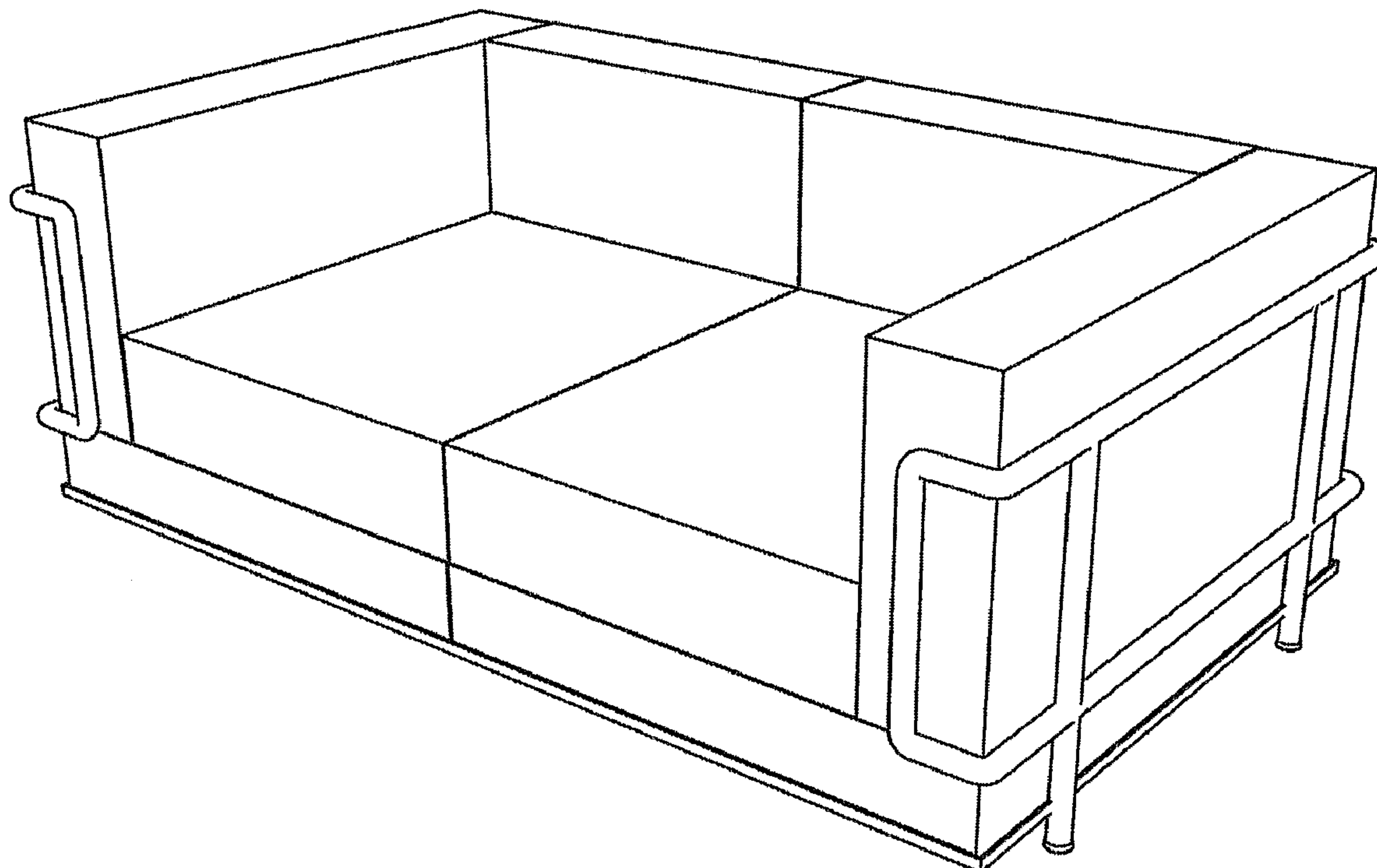
(57) **CLAIM**

The ornamental design for a sofa, as shown and described.

**DESCRIPTION**

FIG. 1 is a perspective view of a sofa;  
FIG. 2 is a front view of the sofa of FIG. 1;  
FIG. 3 is a right side view of the sofa of FIG. 1;  
FIG. 4 is a left side view of the sofa of FIG. 1;  
FIG. 5 is a back view of the sofa of FIG. 1;  
FIG. 6 is a top view of the sofa of FIG. 1; and,  
FIG. 7 is a bottom view of the sofa of FIG. 1.

**1 Claim, 4 Drawing Sheets**



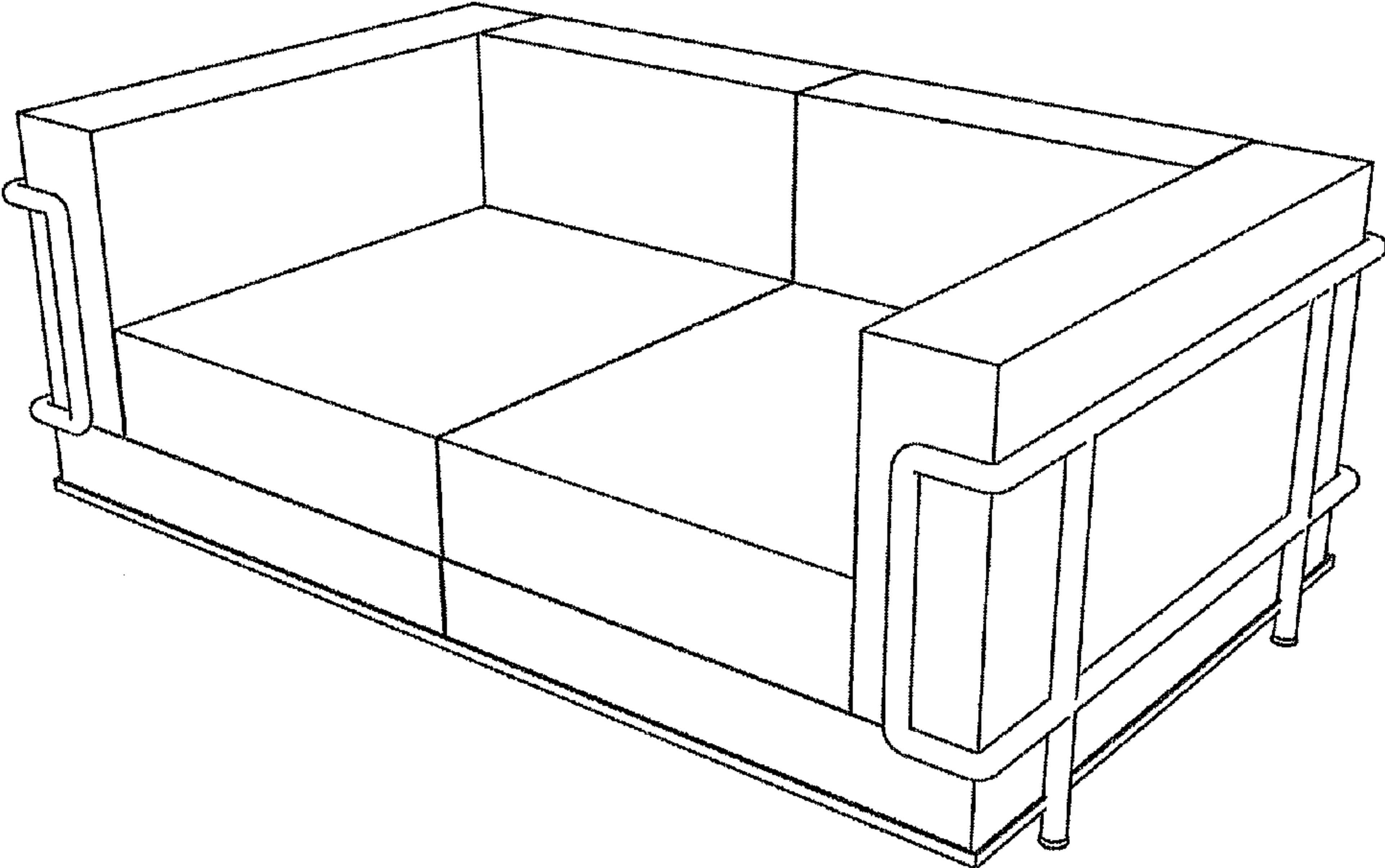


Fig. 1

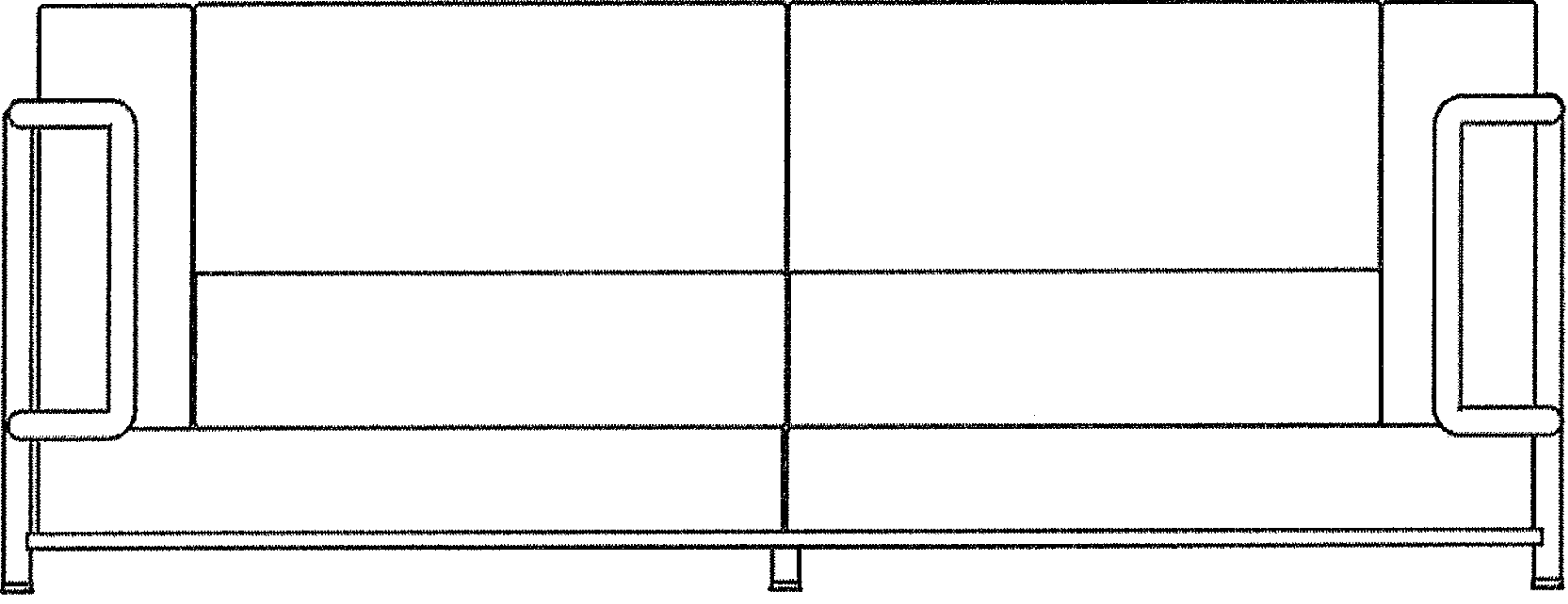


Fig. 2

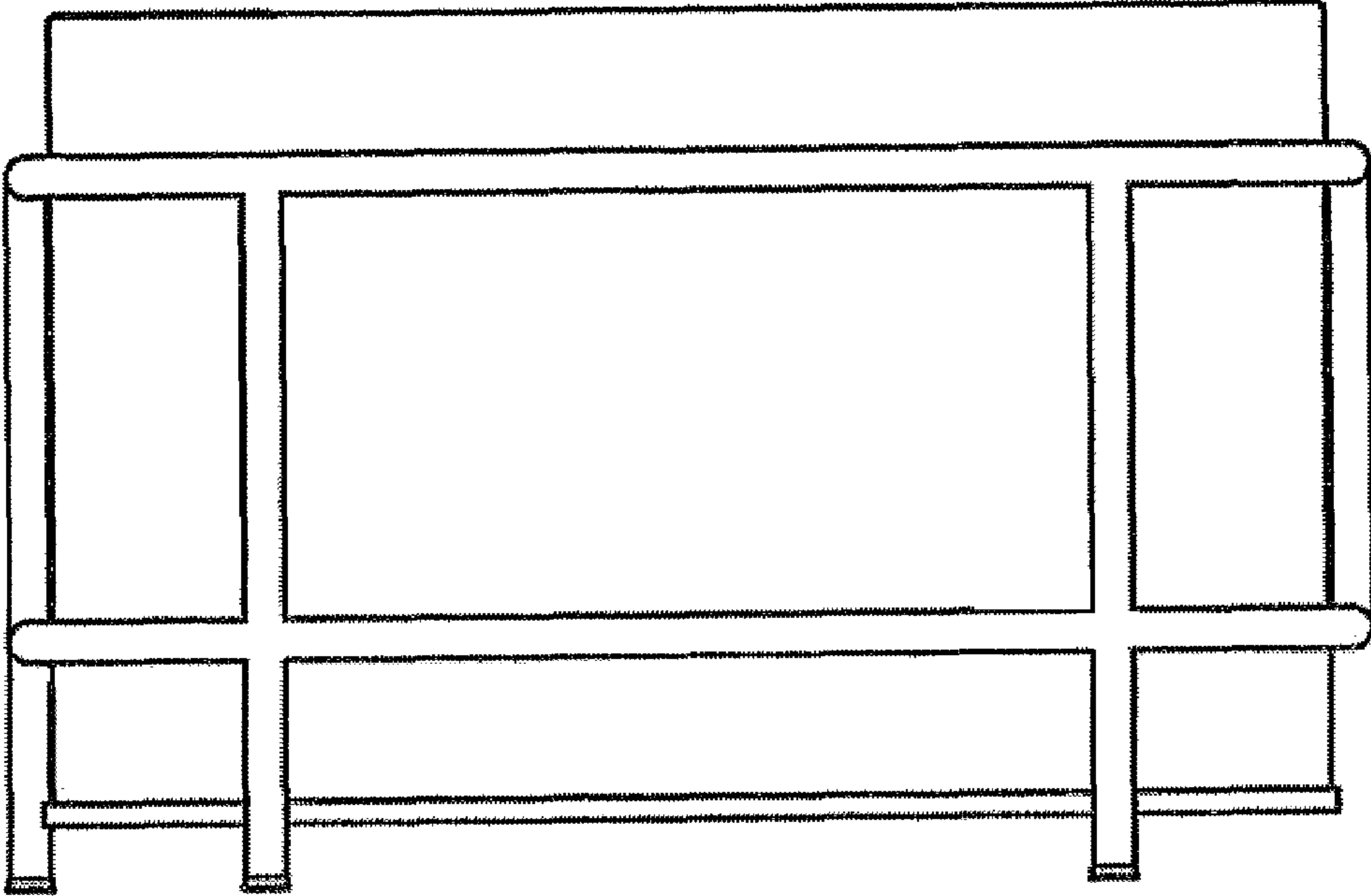


Fig. 3

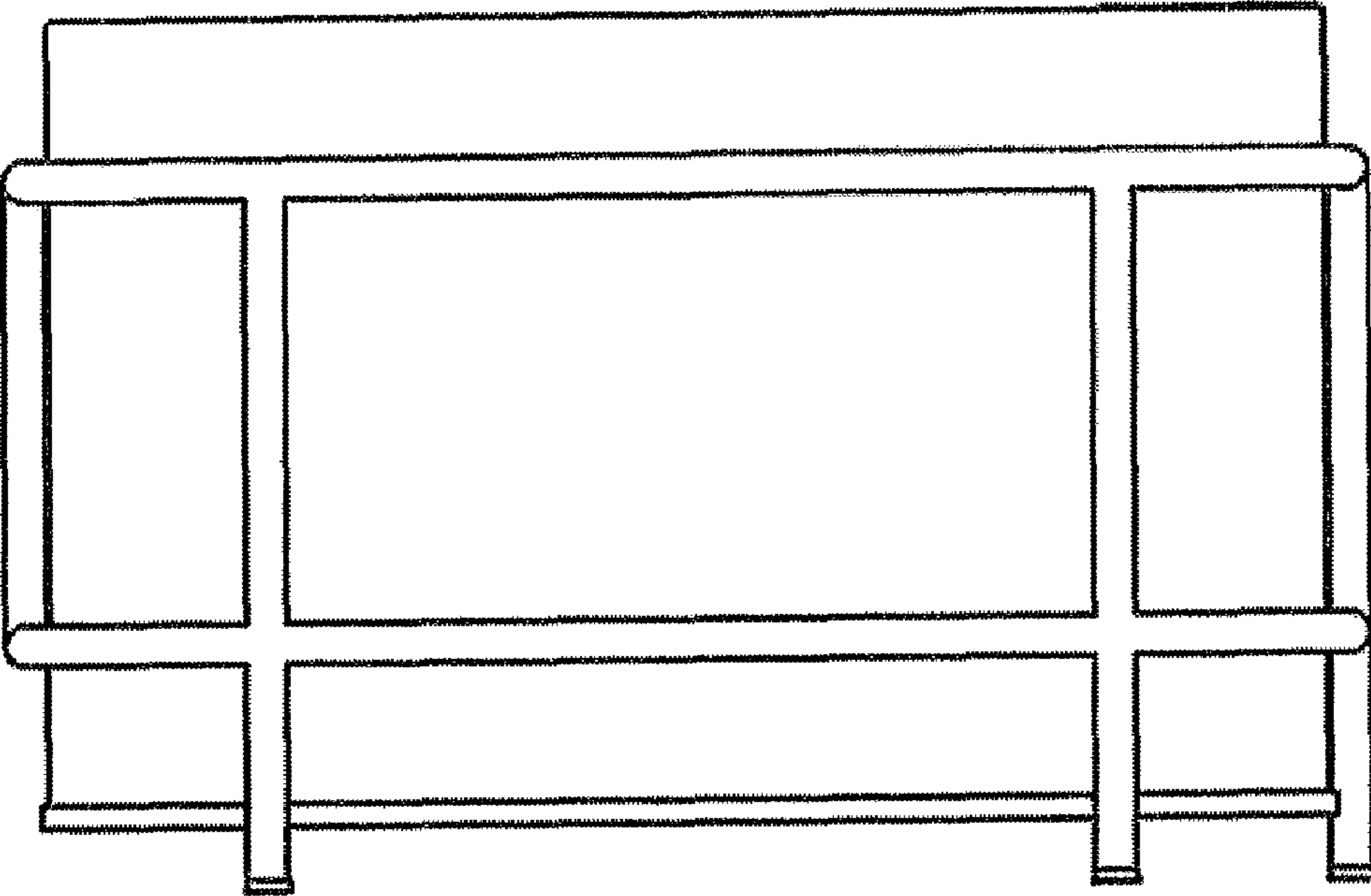


Fig. 4

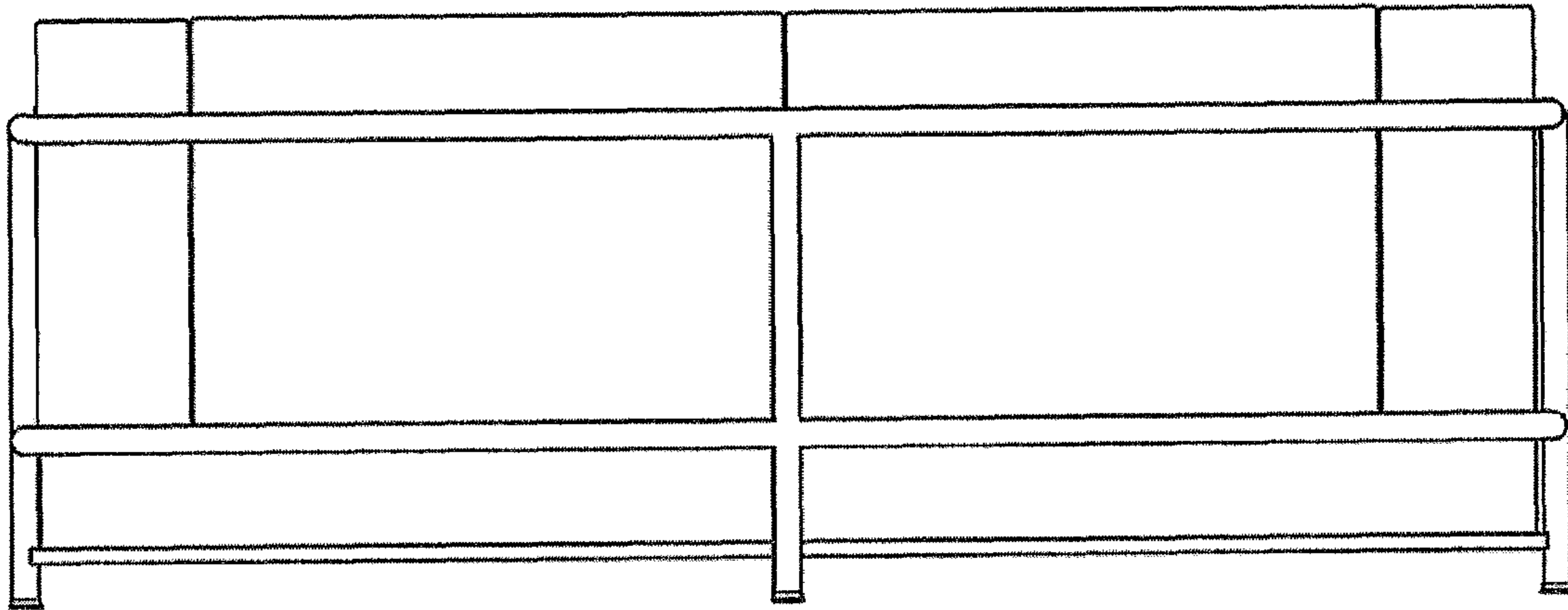


Fig. 5

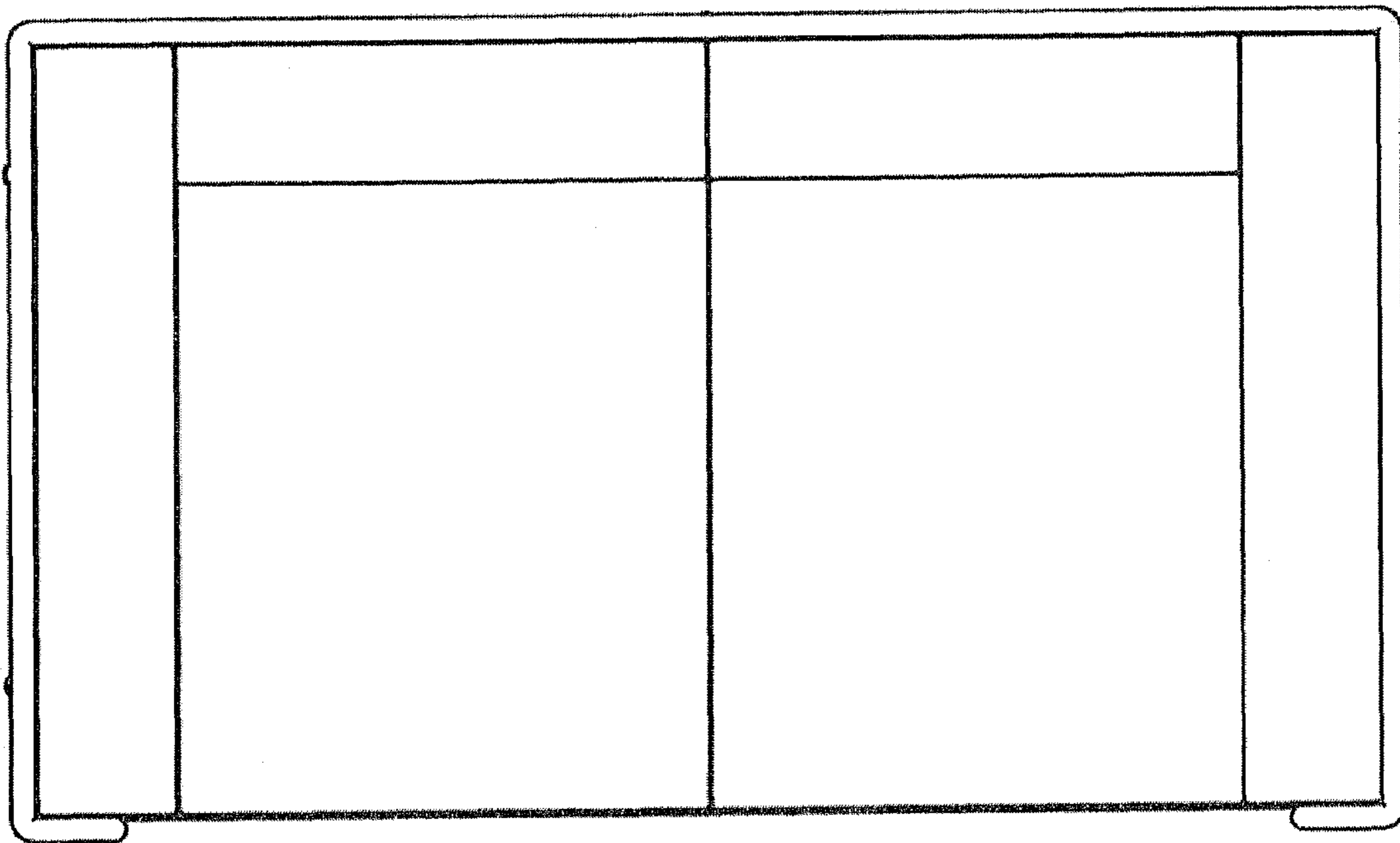


Fig. 6



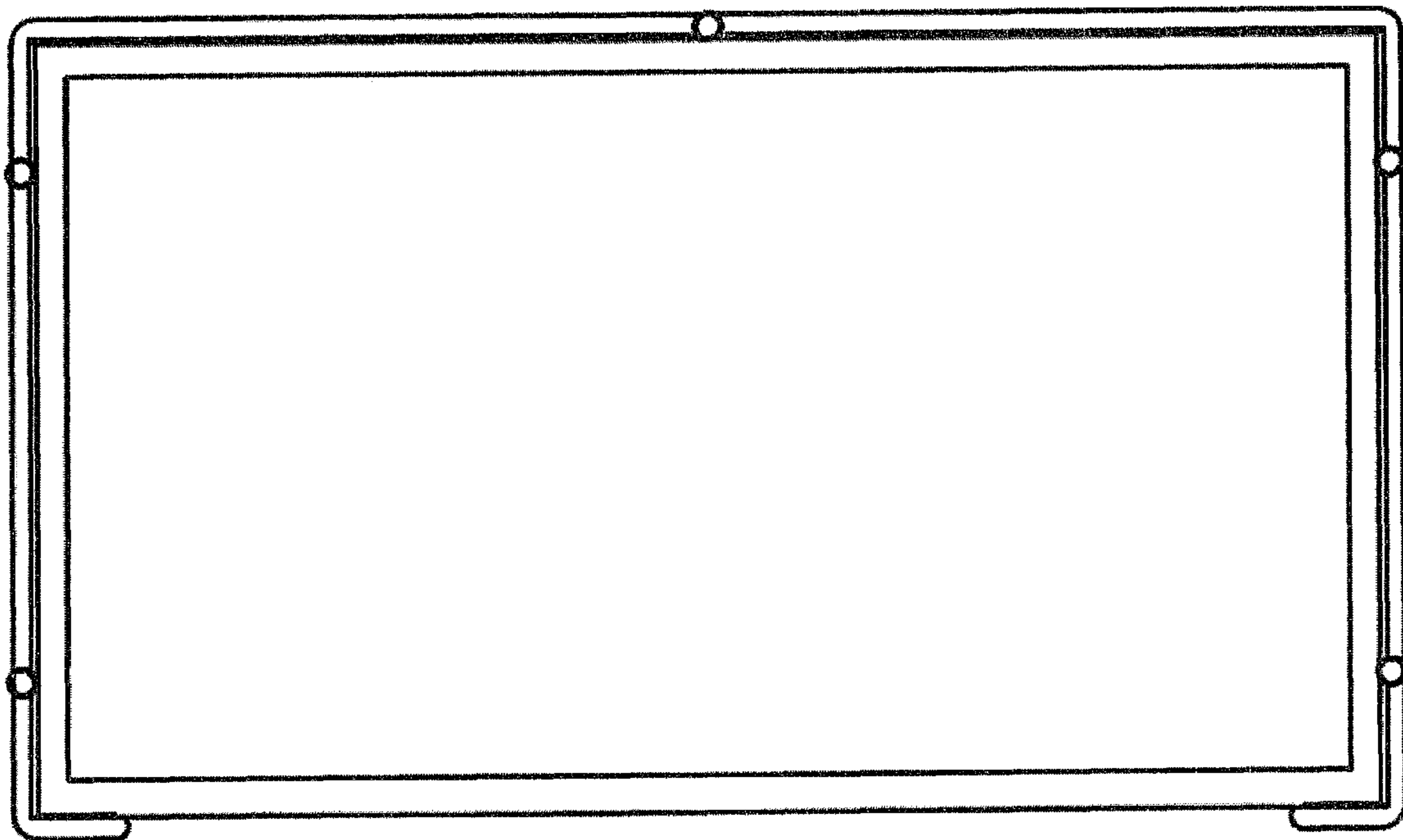


Fig. 7