



US00D562579S

(12) **United States Design Patent**
Machin

(10) **Patent No.:** **US D562,579 S**

(45) **Date of Patent:** **** Feb. 26, 2008**

(54) **CHAISE LOUNGE**

(76) Inventor: **Glyn Peter Machin**, Haderslevvej 42,
Kolding (DK) 6000

(**) Term: **14 Years**

(21) Appl. No.: **29/279,725**

(22) Filed: **May 7, 2007**

(51) **LOC (8) Cl.** **06-01**

(52) **U.S. Cl.** **D6/361**

(58) **Field of Classification Search** D6/334-336,
D6/360, 361, 374, 375, 500-502; 297/219.1,
297/423.1, 452.12, 452.13, 452.17, DIG. 2;
5/627, 652, 656

See application file for complete search history.

(56) **References Cited**

U.S. PATENT DOCUMENTS

D218,889 S	*	10/1970	Lamb	D6/361
D256,408 S	*	8/1980	Nakisbendi	D6/361
D286,709 S	*	11/1986	Schultz	D6/361
D399,663 S	*	10/1998	Vu	D6/361
D494,374 S	*	8/2004	Cagle	D6/361
D513,133 S	*	12/2005	Harum	D6/361

OTHER PUBLICATIONS

Glyn Peter Machin, pending U.S. Appl. No. 29/279,726, filed May 7, 2007 entitled "Chaise Lounge".

Glyn Peter Machin, pending U.S. Appl. No. 29/279,727, filed May 7, 2007 entitled "Table".

* cited by examiner

Primary Examiner—Mimosa De
(74) *Attorney, Agent, or Firm*—Heslin Rothenberg Farley & Mesiti P.C.

(57) **CLAIM**

The ornamental design for a chaise lounge, as shown and described.

DESCRIPTION

This application is related to concurrently filed U.S. Design Patent Application Ser. No. 29/279,726, entitled "Chaise Lounge," by Glyn Peter MACHIN, and concurrently filed U.S. Design Patent Application Ser. No. 29/279,727, entitled "TABLE," by Glyn Peter MACHIN. The entirety of these applications is incorporated herein by reference.

FIG. 1 is perspective view of a chaise lounge comprising my new design;

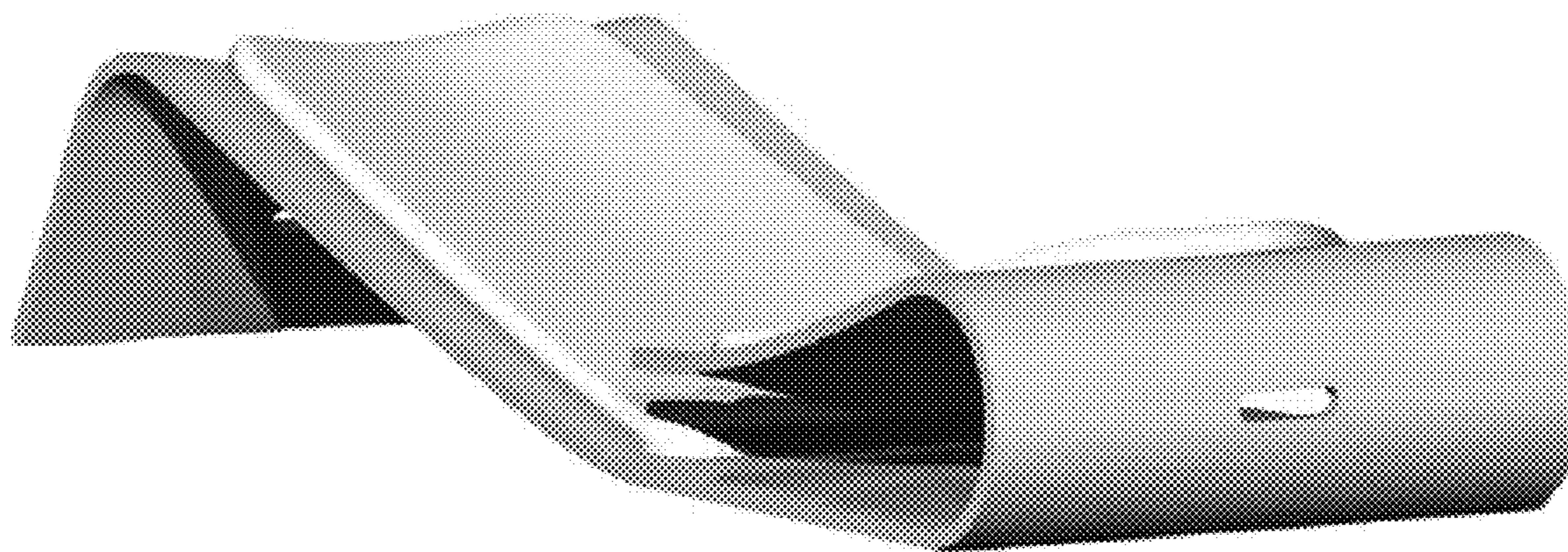
FIG. 2 is a left side elevational view thereof, the right side elevational view being a mirror image thereof;

FIG. 3 is a front elevational view thereof;

FIG. 4 is a rear elevational view thereof; and,

FIG. 5 is a top view thereof.

1 Claim, 4 Drawing Sheets



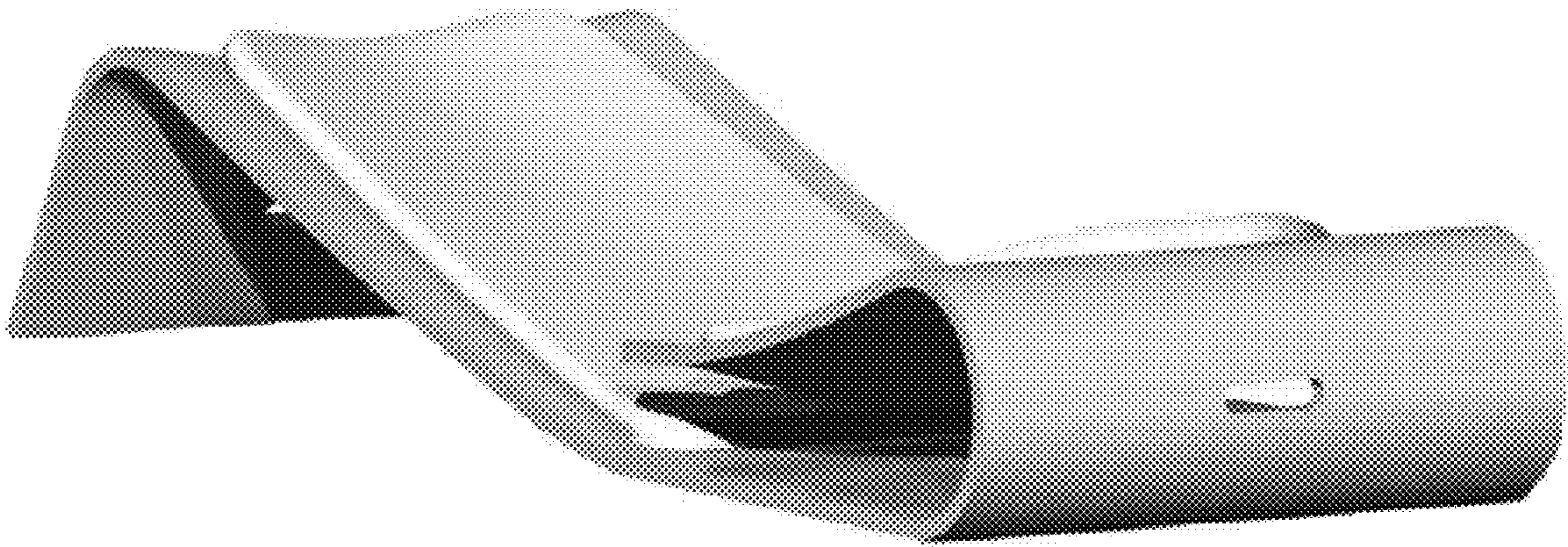


Fig. 1

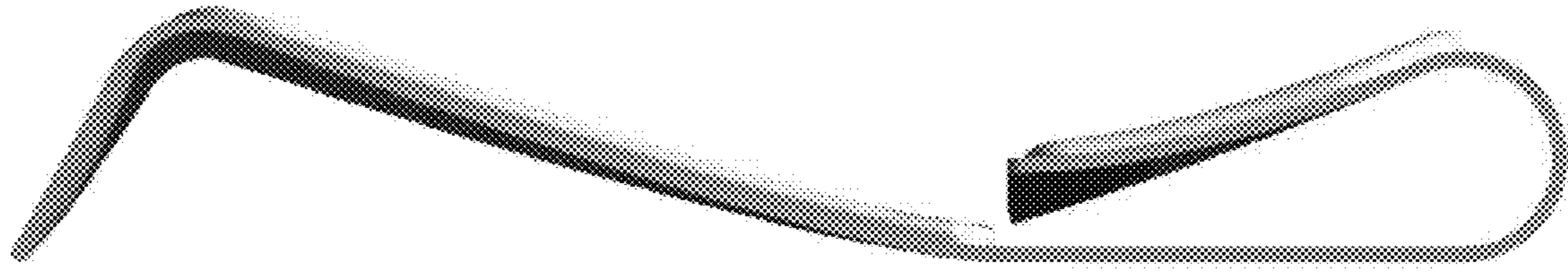


Fig. 2

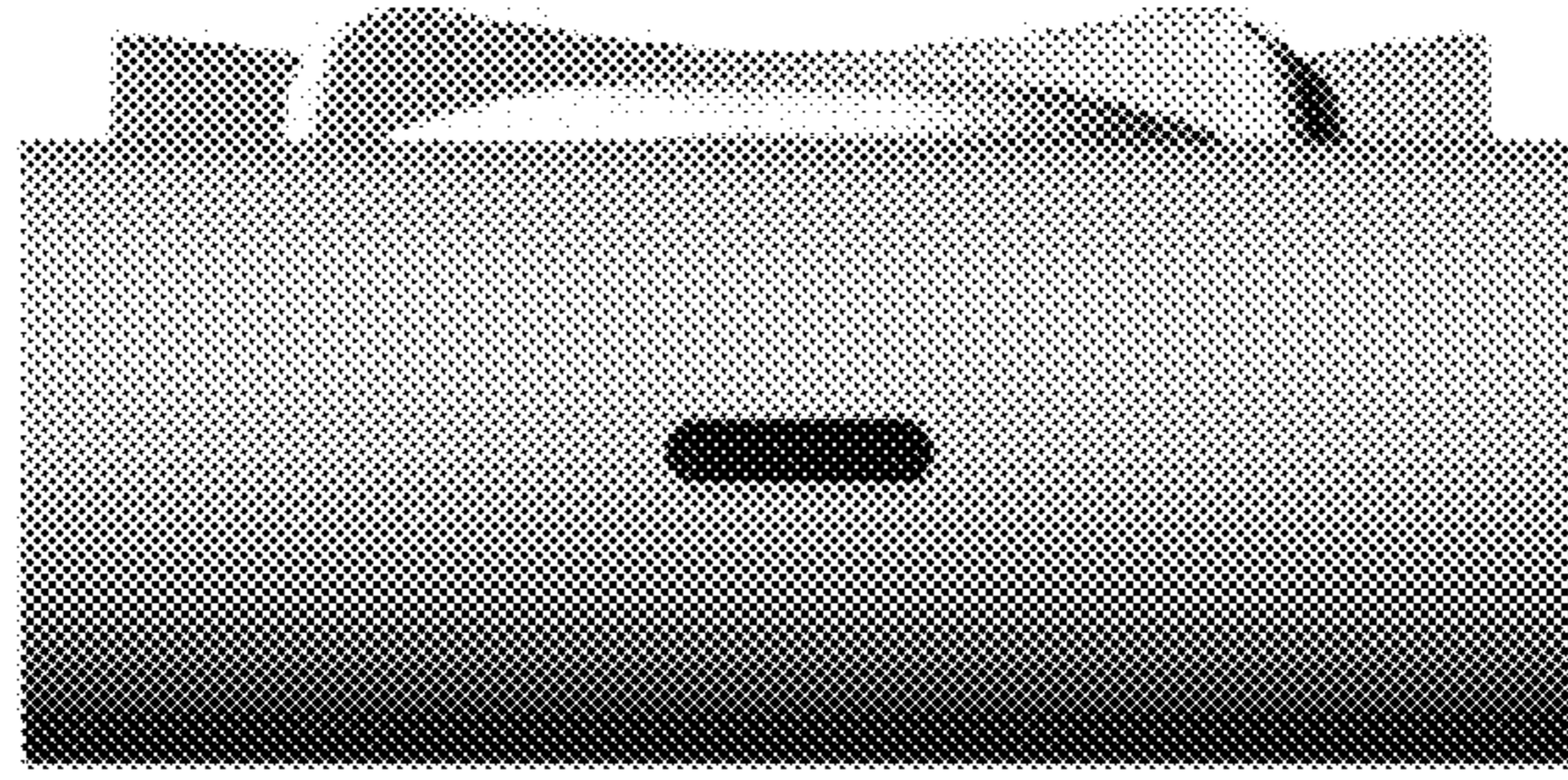


Fig. 3

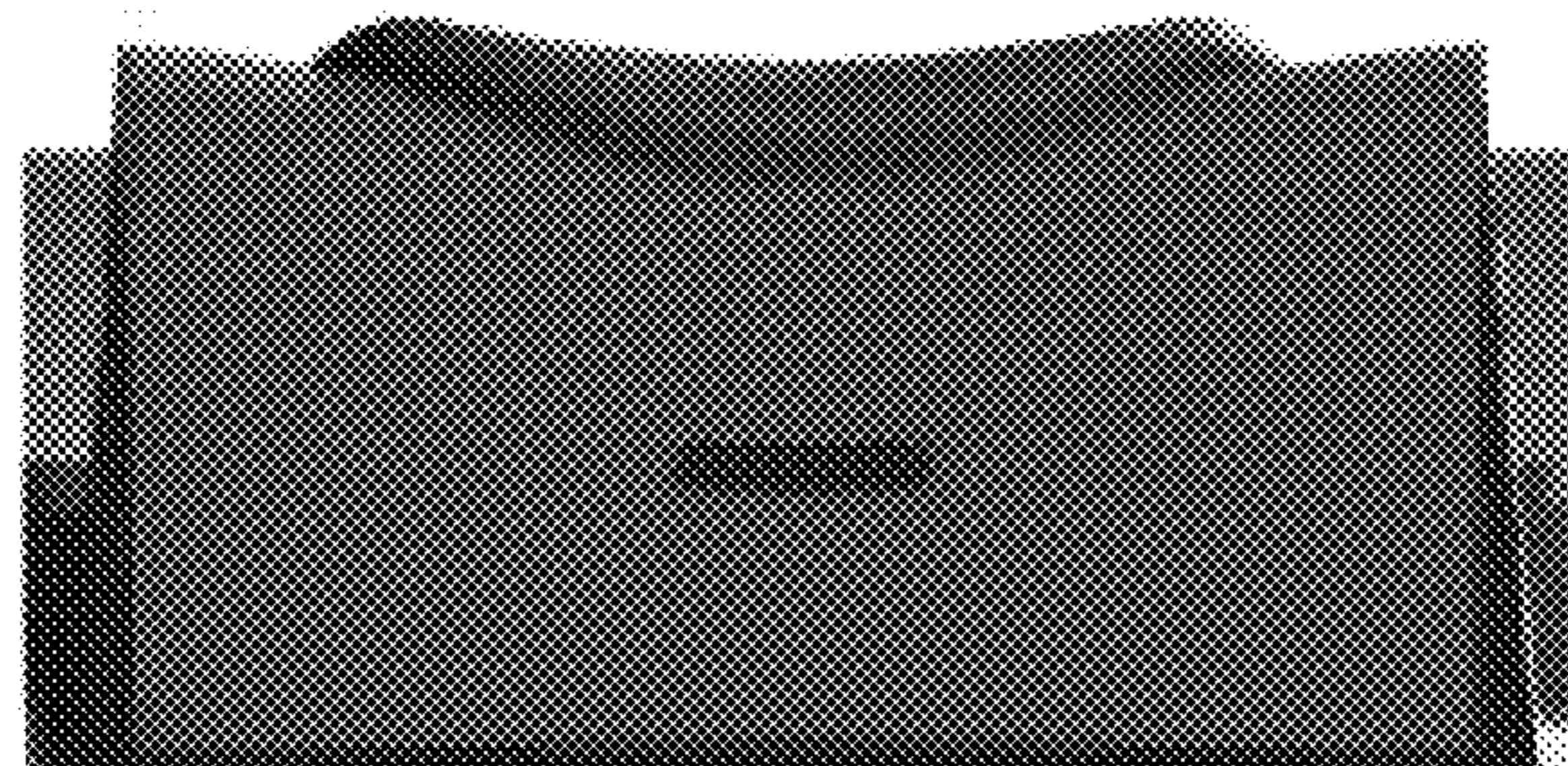


Fig. 4

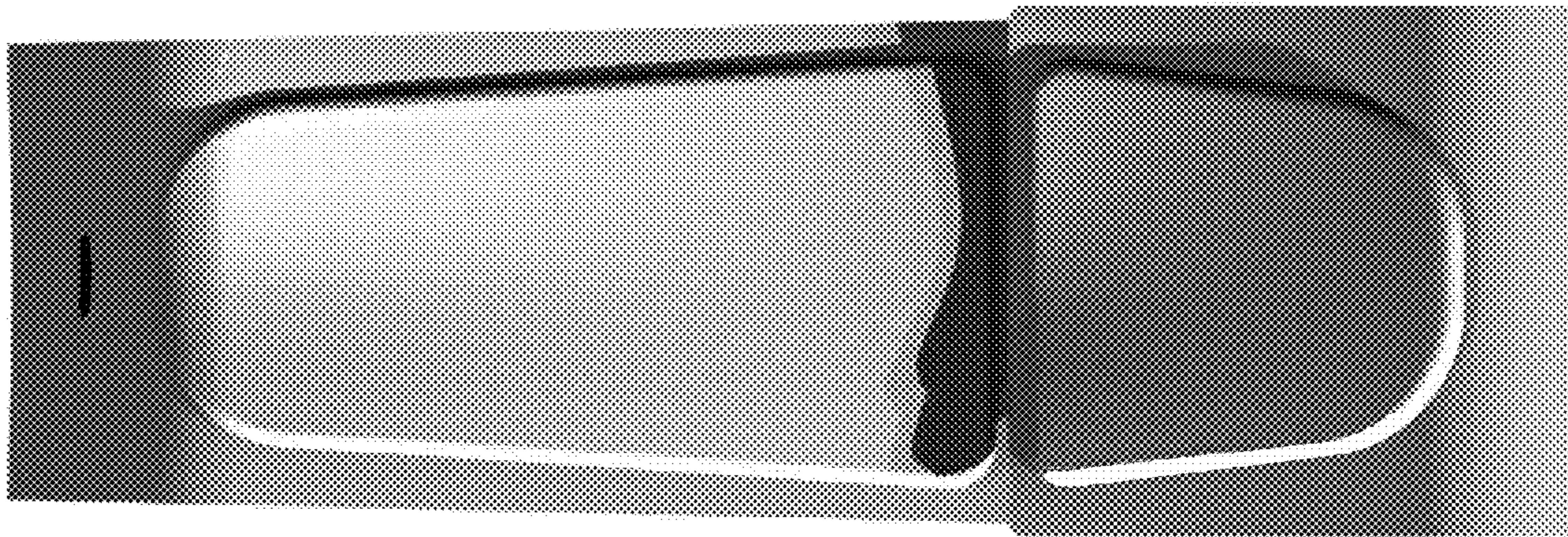


Fig. 5