



US00D562577S

(12) **United States Design Patent**  
**Dengler et al.**

(10) **Patent No.:** **US D562,577 S**

(45) **Date of Patent:** **\*\* Feb. 26, 2008**

(54) **INFLATABLE CHAIR**

(75) Inventors: **Sean M. Dengler**, Tempe, AZ (US);  
**Jason W. Swanson**, Tempe, AZ (US);  
**Mario C. Montano**, Tempe, AZ (US)

(73) Assignee: **Devise, Inc.**, Tempe, AZ (US)

(\*\*) Term: **14 Years**

(21) Appl. No.: **29/286,107**

(22) Filed: **Apr. 23, 2007**

(51) **LOC (8) Cl.** ..... **06-01**

(52) **U.S. Cl.** ..... **D6/358; D6/361**

(58) **Field of Classification Search** ..... D6/334-336,  
D6/358, 361, 371-373, 375, 377, 381, 604,  
D6/500-502; D21/549, 550, 803, 809; 297/181,  
297/250.1, 272.3, 452.41

See application file for complete search history.

(56) **References Cited**

**U.S. PATENT DOCUMENTS**

3,408,107	A	*	10/1968	Savage	.....	297/452.41
D228,050	S		8/1973	Wieland		
D278,004	S	*	3/1985	Sigona	.....	D6/361
5,005,902	A	*	4/1991	Farnworth et al.	.....	297/250.1
D328,110	S		7/1992	Barker et al.		
D341,493	S	*	11/1993	Morgan et al.	.....	D6/358
5,512,002	A		4/1996	Lieberman		
D377,814	S		2/1997	Lieberman		
D383,008	S	*	9/1997	Blaesing	.....	D6/358
D413,362	S		8/1999	Linder		
D416,428	S	*	11/1999	Jackson	.....	D6/604
D419,207	S		1/2000	Lieberman		

D421,189	S	*	2/2000	Lieberman et al.	.....	D6/358
D422,154	S	*	4/2000	Lieberman et al.	.....	D6/358
D440,026	S		4/2001	Barney		
6,328,385	B1	*	12/2001	Lau	.....	297/452.41
D466,176	S	*	11/2002	Peterson	.....	D21/803
D544,061	S	*	6/2007	Kuchler	.....	D21/803

\* cited by examiner

*Primary Examiner*—Mimosa De

(74) *Attorney, Agent, or Firm*—Gregory J. Nelson

(57) **CLAIM**

We claim the ornamental design for an inflatable chair, as shown and described.

**DESCRIPTION**

FIG. 1 is a perspective view of the inflatable chair of our design;

FIG. 2 is a right side view thereof;

FIG. 3 is a bottom view thereof;

FIG. 4 is a top view thereof;

FIG. 5 is a front view thereof;

FIG. 6 is a rear view thereof;

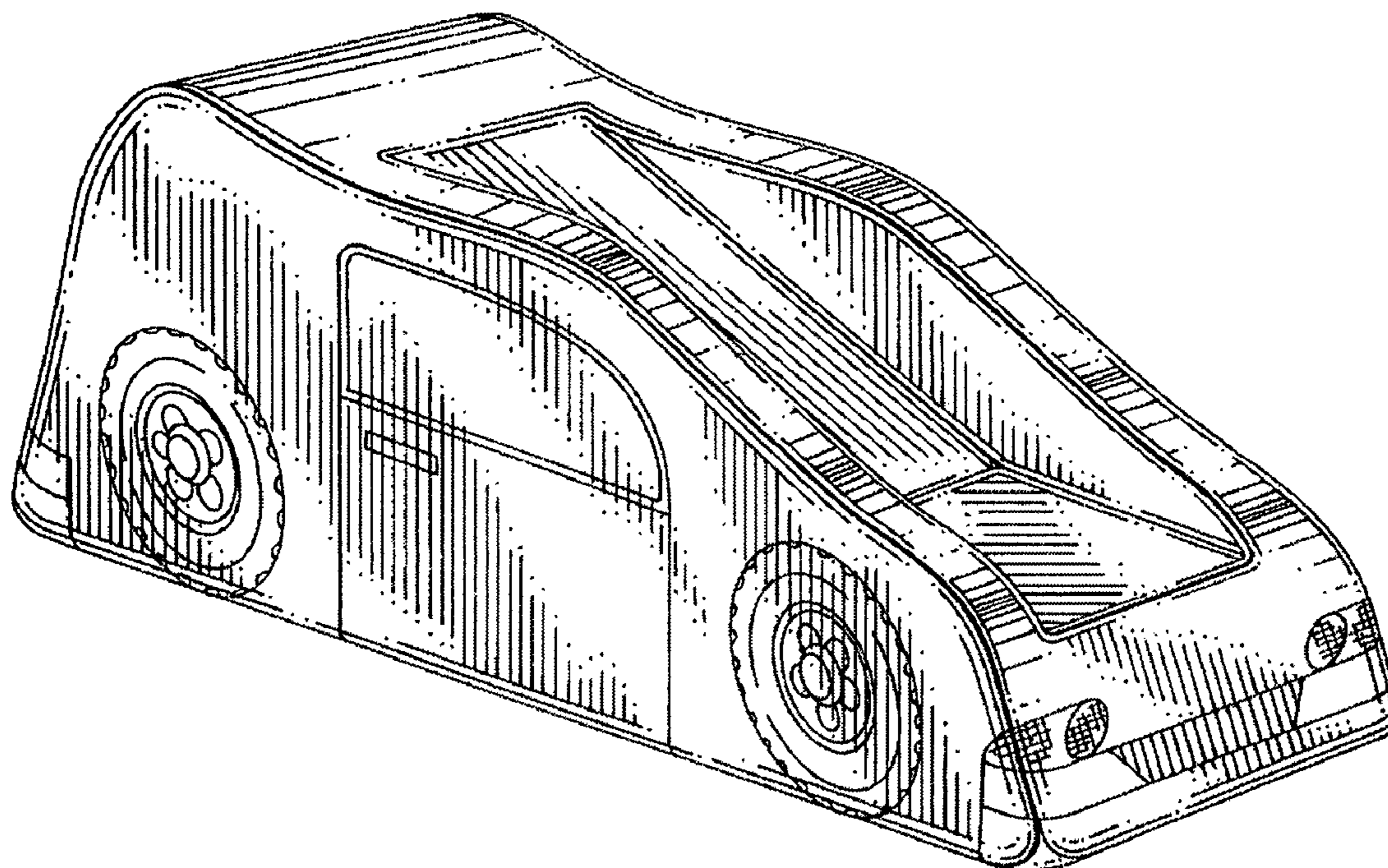
FIG. 7 is a left side view thereof;

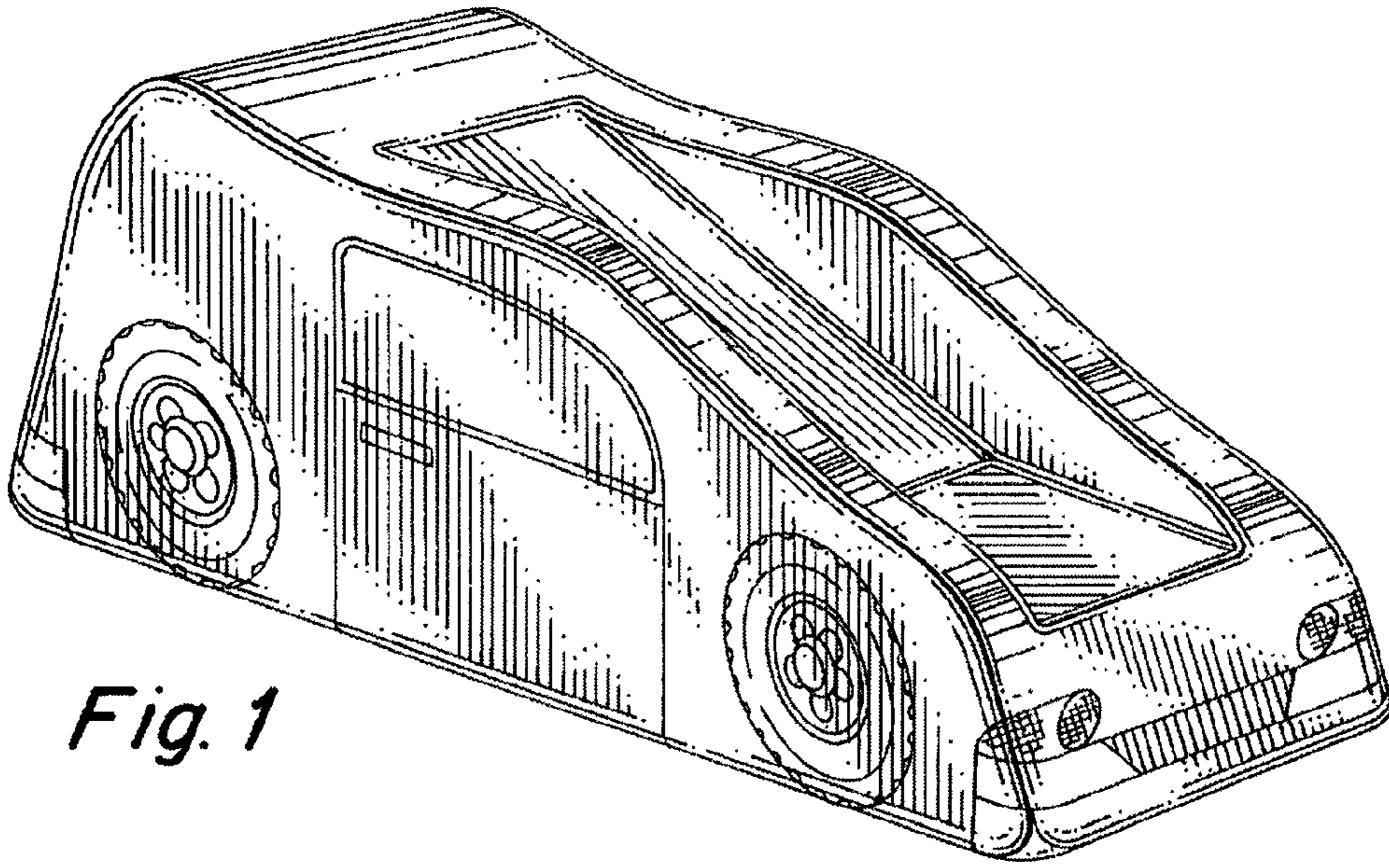
FIG. 8 is a perspective view of an alternate embodiment of the inflatable chair of our design;

FIG. 9 is a right side view of the embodiment of FIG. 8, the left side view being the mirror image thereof; and,

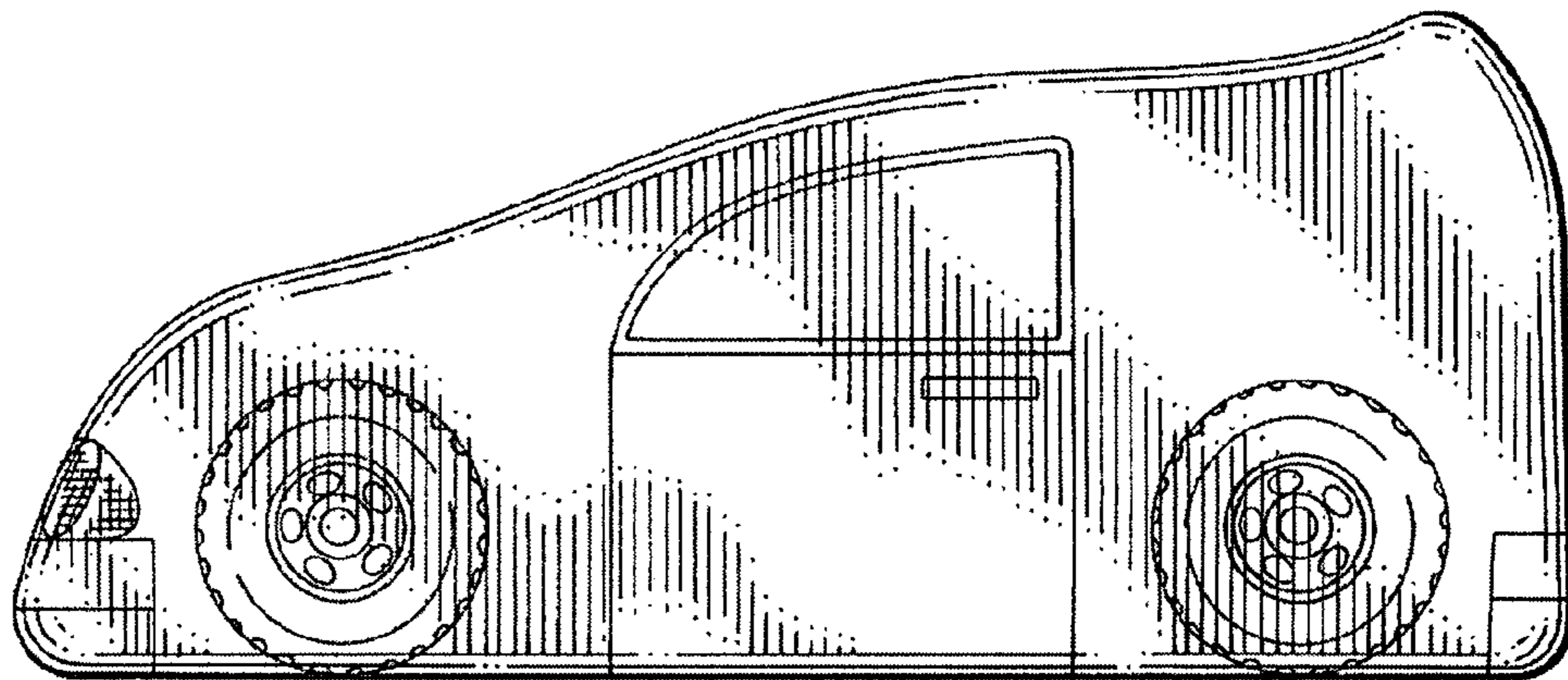
FIG. 10 is a top view thereof.

**1 Claim, 3 Drawing Sheets**

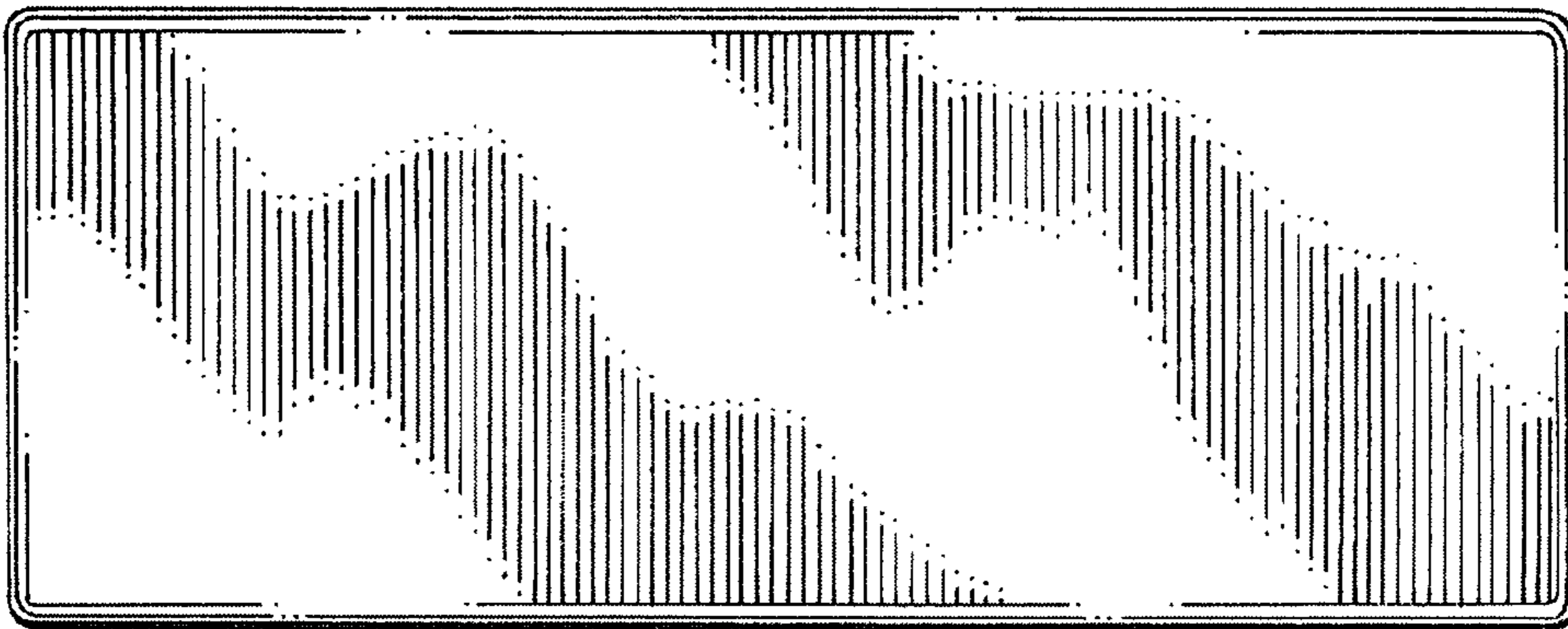




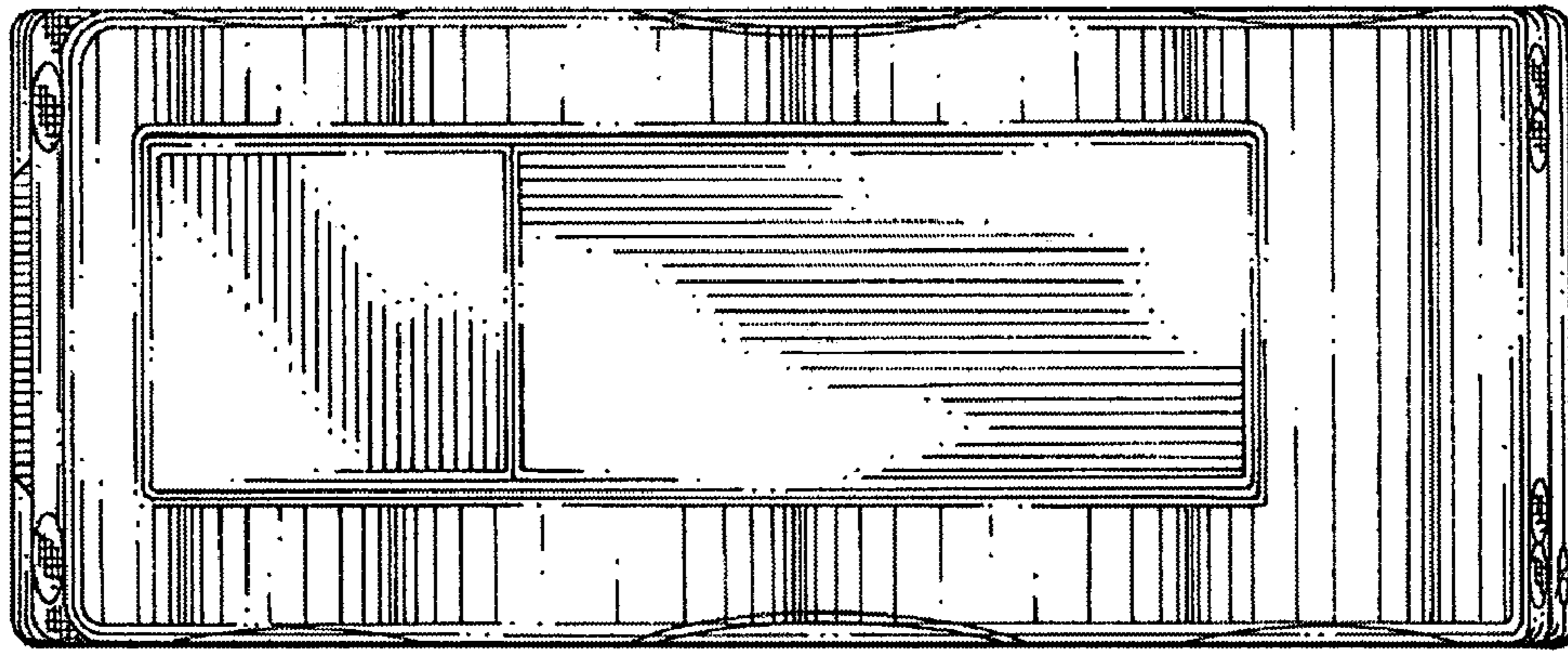
*Fig. 1*



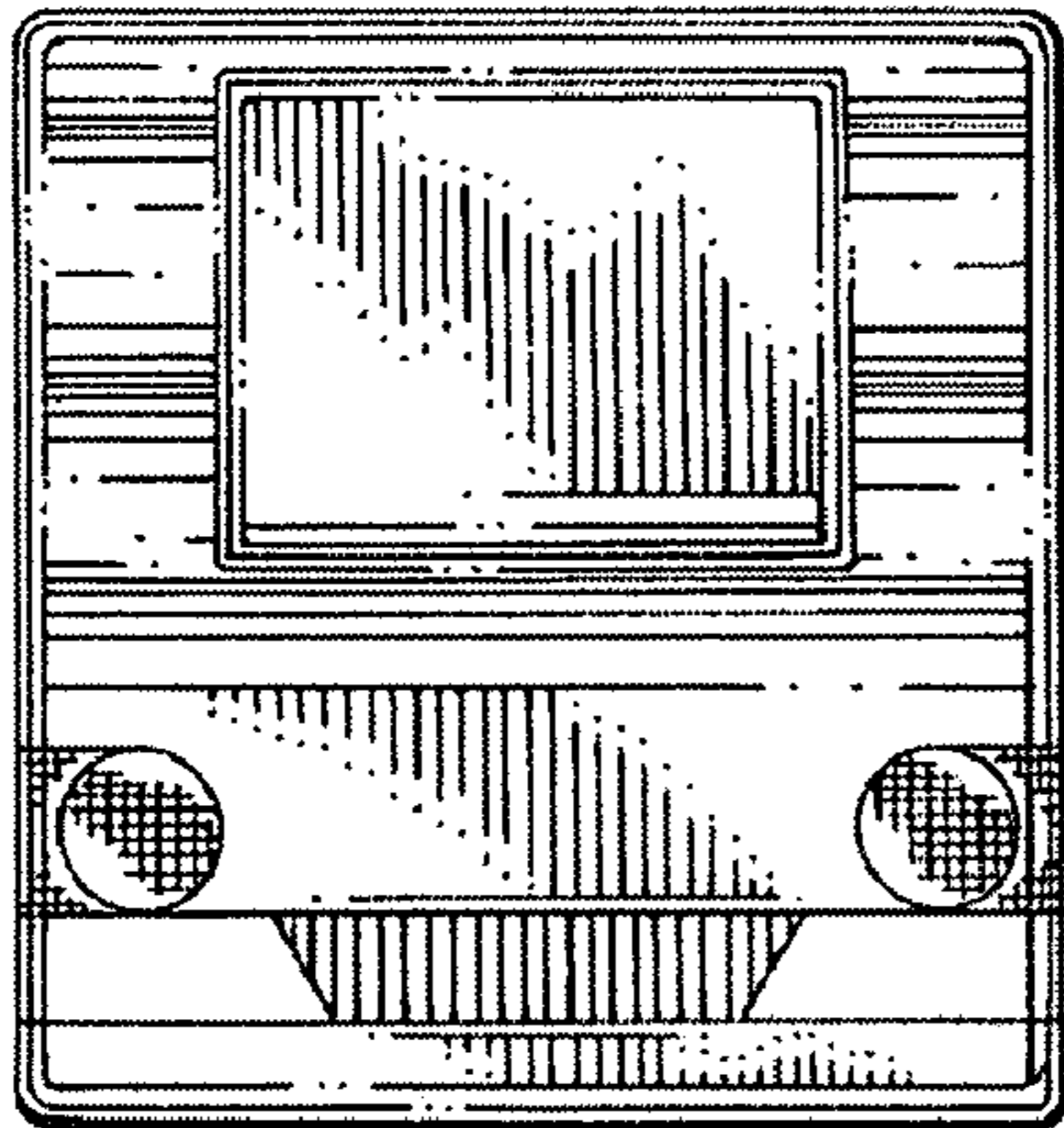
*Fig. 2*



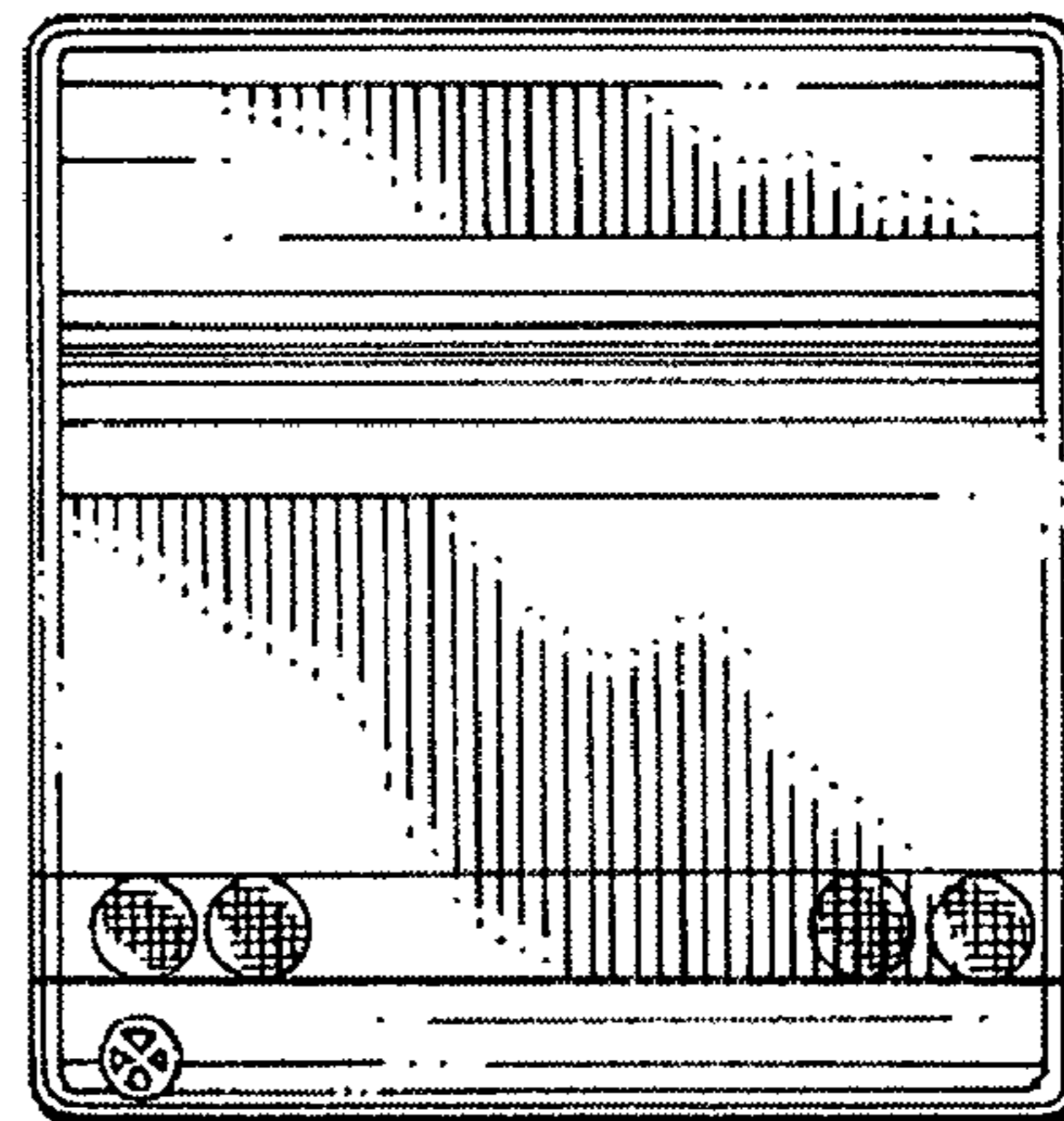
*Fig. 3*



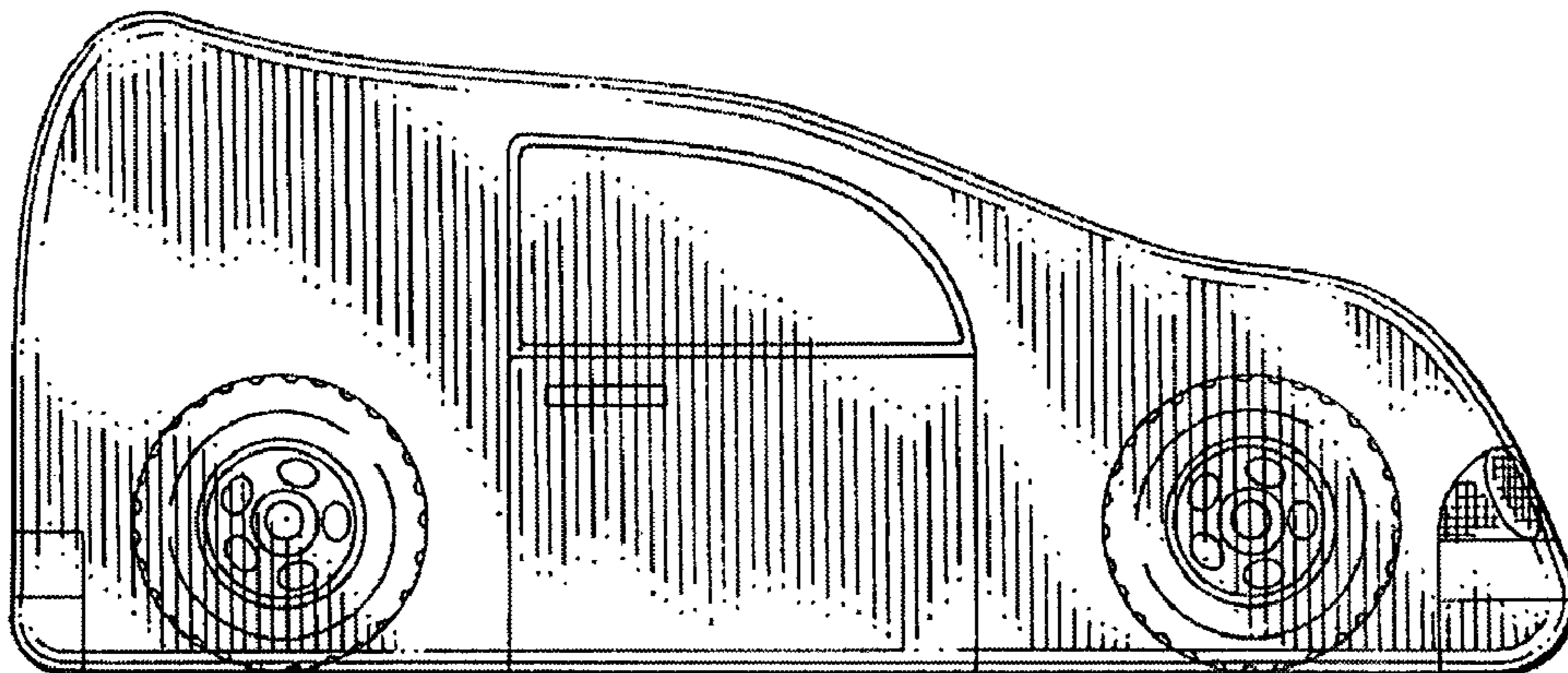
*Fig. 4*



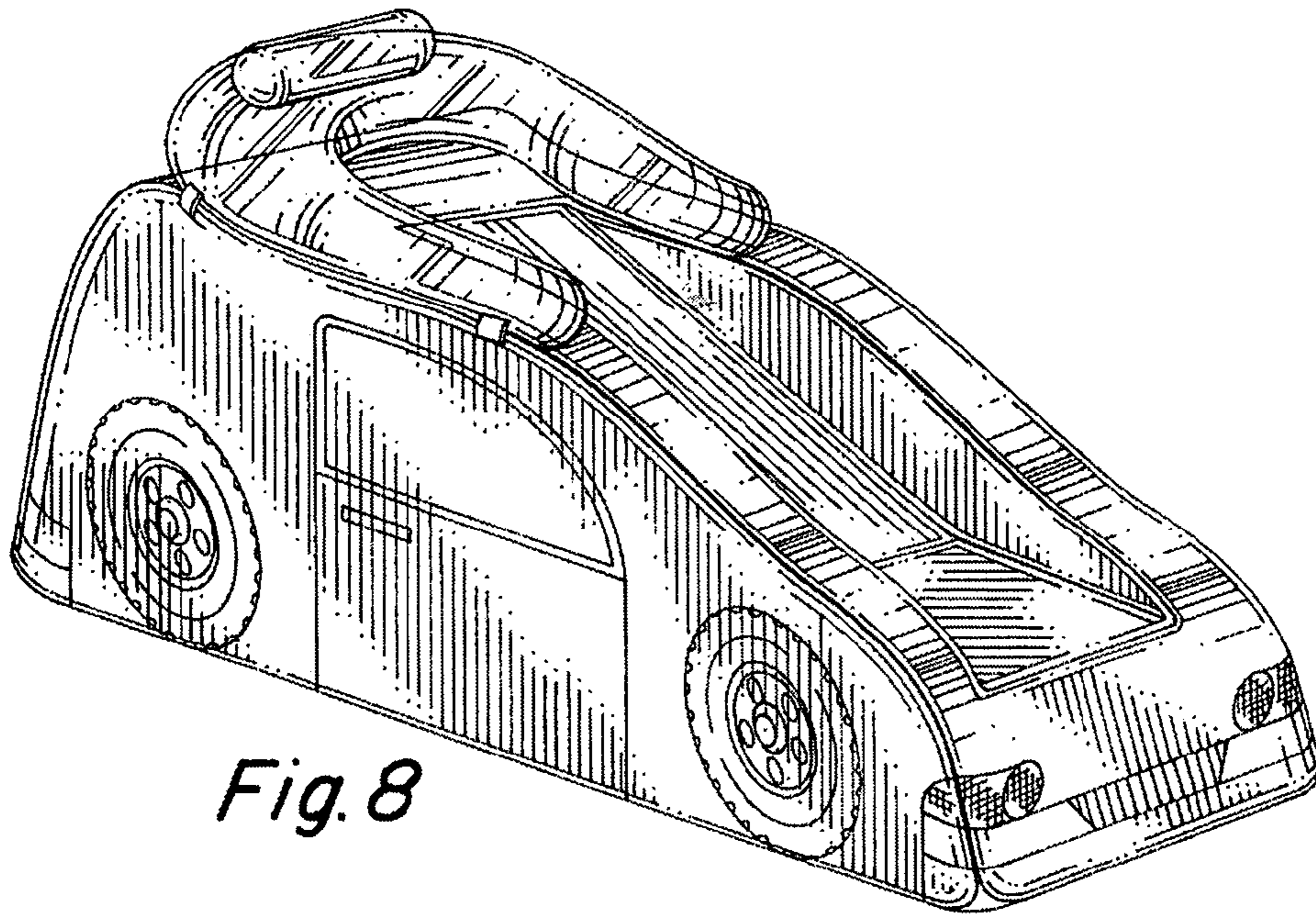
*Fig. 5*



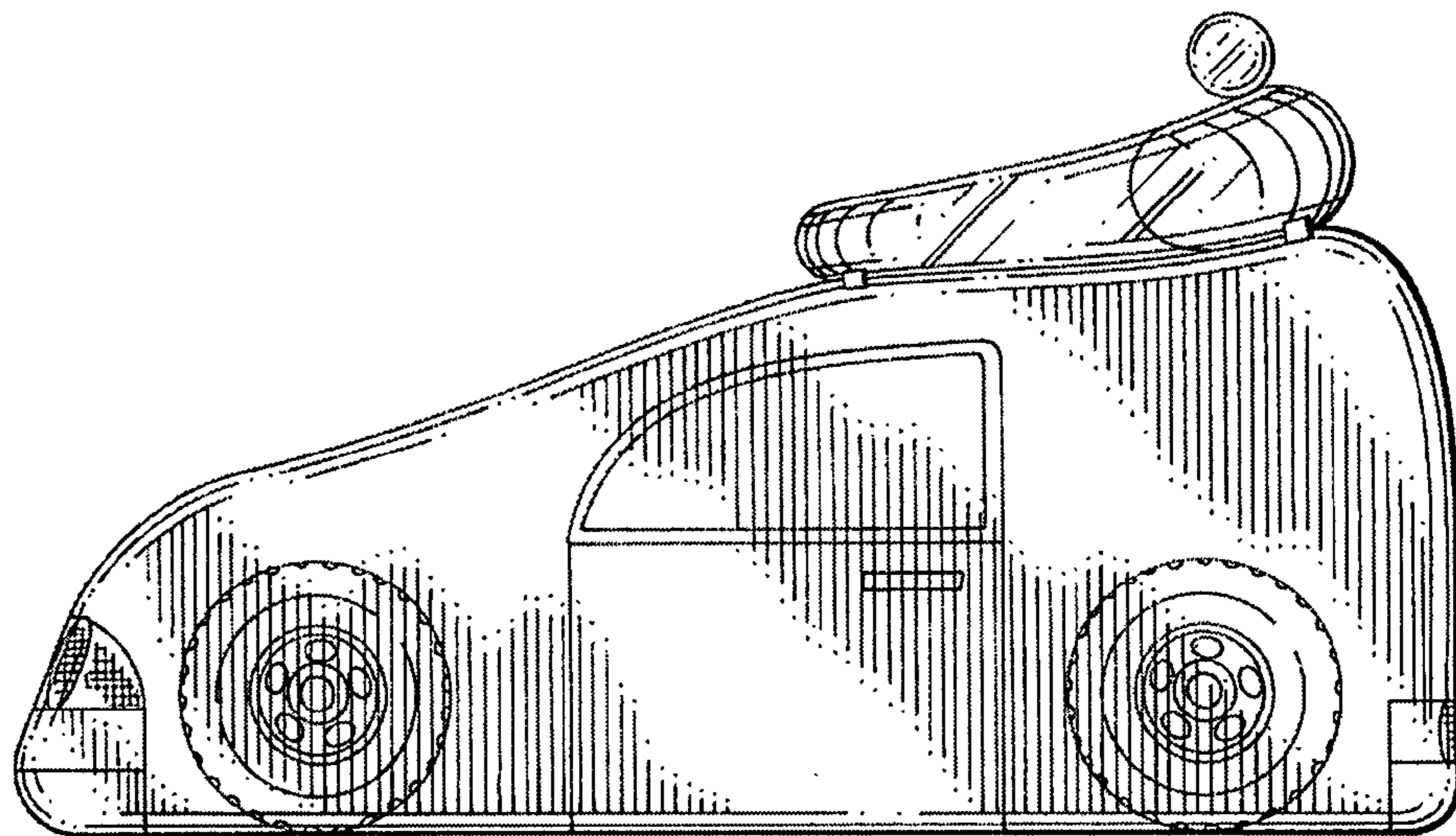
*Fig. 6*



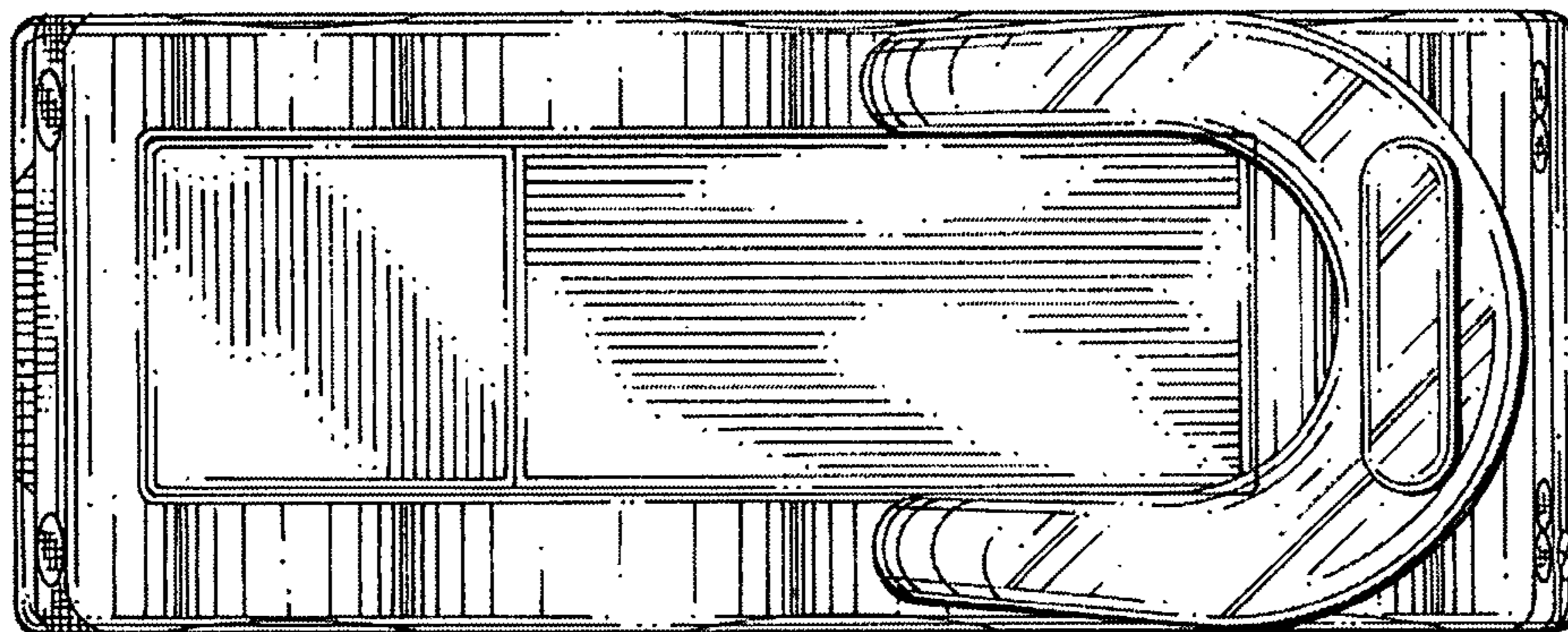
*Fig. 7*



*Fig. 8*



*Fig. 9*



*Fig. 10*