

US00D562572S

(12) **United States Design Patent**
Nöthel

(10) **Patent No.:** **US D562,572 S**
(45) **Date of Patent:** **** Feb. 26, 2008**

(54) **BOOK STAND**

(76) **Inventor:** **Till Nöthel**, Osterstrasse 172, Hamburg
(DE) 20255

(**) **Term:** **14 Years**

(21) **Appl. No.:** **29/252,196**

(22) **Filed:** **Jan. 19, 2006**

(30) **Foreign Application Priority Data**

Jul. 21, 2005 (EM) 000375696

(51) **LOC (8) Cl.** **06-07**

(52) **U.S. Cl.** **D6/310**

(58) **Field of Classification Search** D6/310,
D6/300, 314, 311, 419, 420, 349, 462, 449,
D6/467, 396; D14/457; D19/30, 91, 99;
248/454, 451, 441.1, 442.2, 188.1, 163.1;
108/6

See application file for complete search history.

(56) **References Cited**

U.S. PATENT DOCUMENTS

4,248,161 A * 2/1981 Adair et al. 108/6
D360,777 S * 8/1995 Glebe D6/419
D398,458 S * 9/1998 Martell D6/420
D410,910 S * 6/1999 Martell D14/457

6,019,050 A * 2/2000 Ranta 108/6
D466,706 S * 12/2002 Malizia D6/349
D470,336 S * 2/2003 Malizia D6/462
7,086,632 B2 * 8/2006 Hsieh 248/188.1

* cited by examiner

Primary Examiner—Caron D. Veynar
Assistant Examiner—Sydney R. Buffalow
(74) *Attorney, Agent, or Firm*—Rankin, Hill, Porter & Clark
LLP

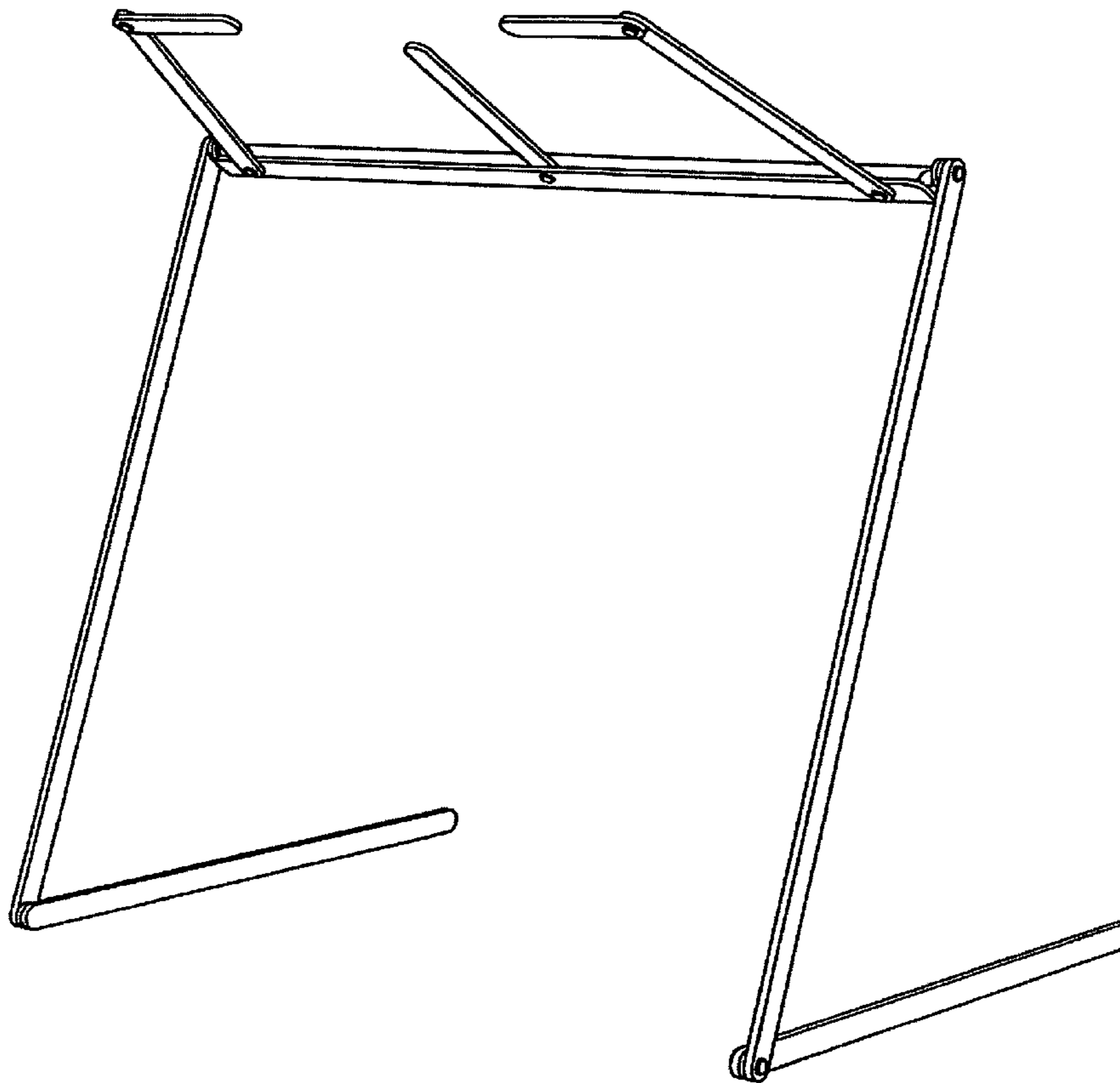
(57) **CLAIM**

The ornamental design for a book stand, as shown and described.

DESCRIPTION

FIG. 1 is a perspective view as viewed from the front of the book stand;
FIG. 2 is a perspective view as viewed from the rear;
FIG. 3 is a left side elevation view;
FIG. 4 is a front side elevation view;
FIG. 5 is a rear side elevation view;
FIG. 6 is a top plan view; and,
FIG. 7 is a bottom plan view.

1 Claim, 6 Drawing Sheets



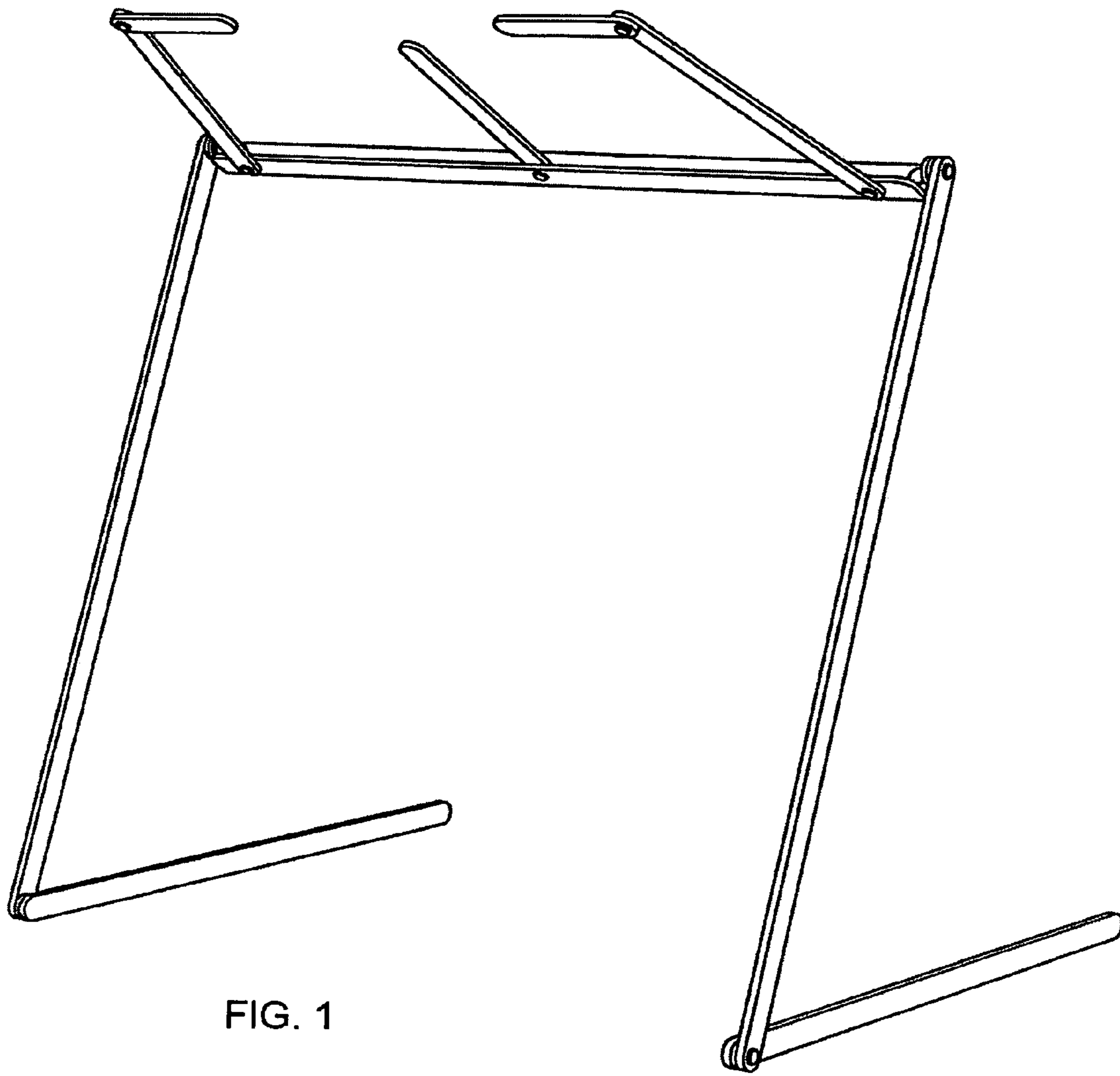


FIG. 1

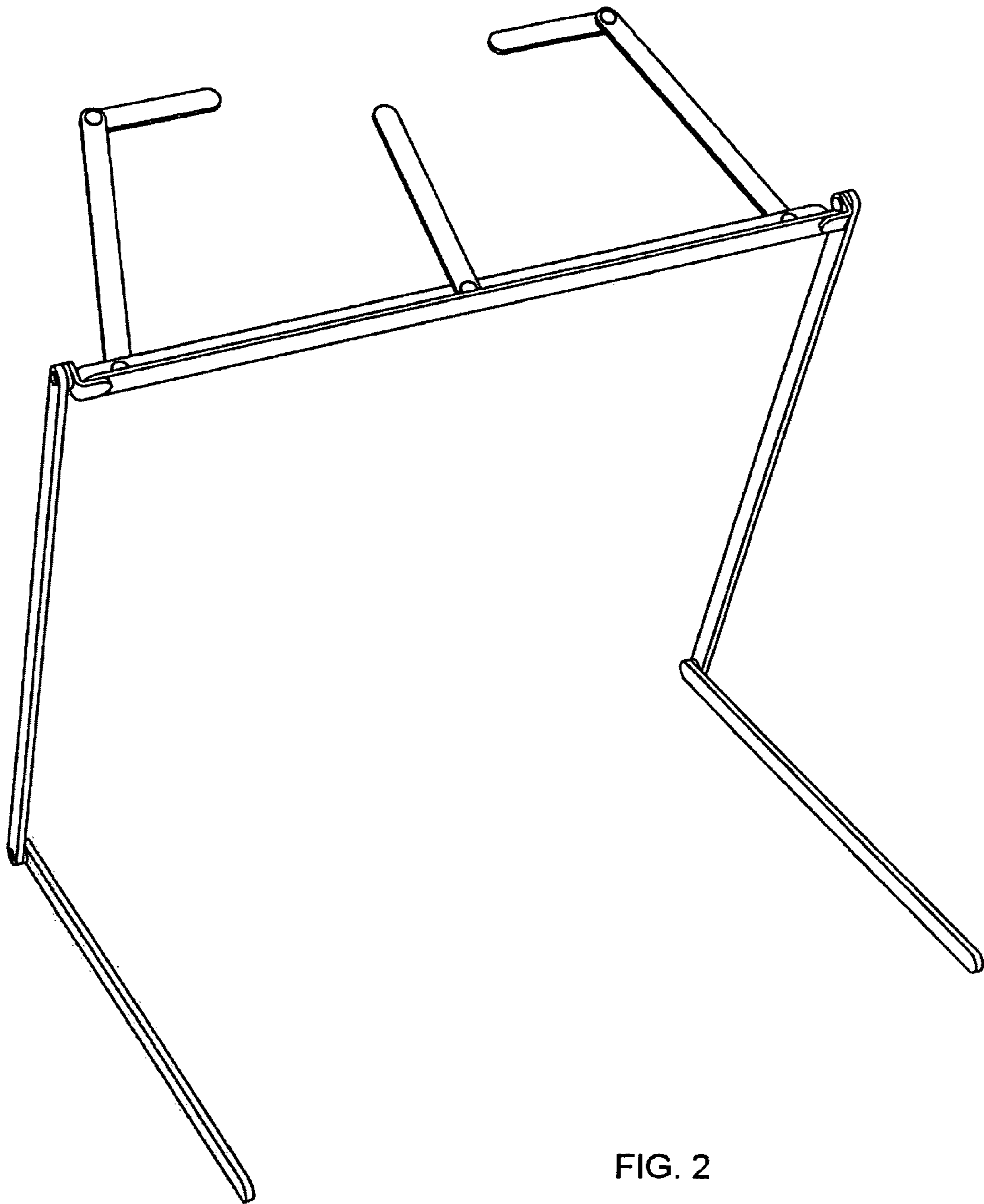


FIG. 2

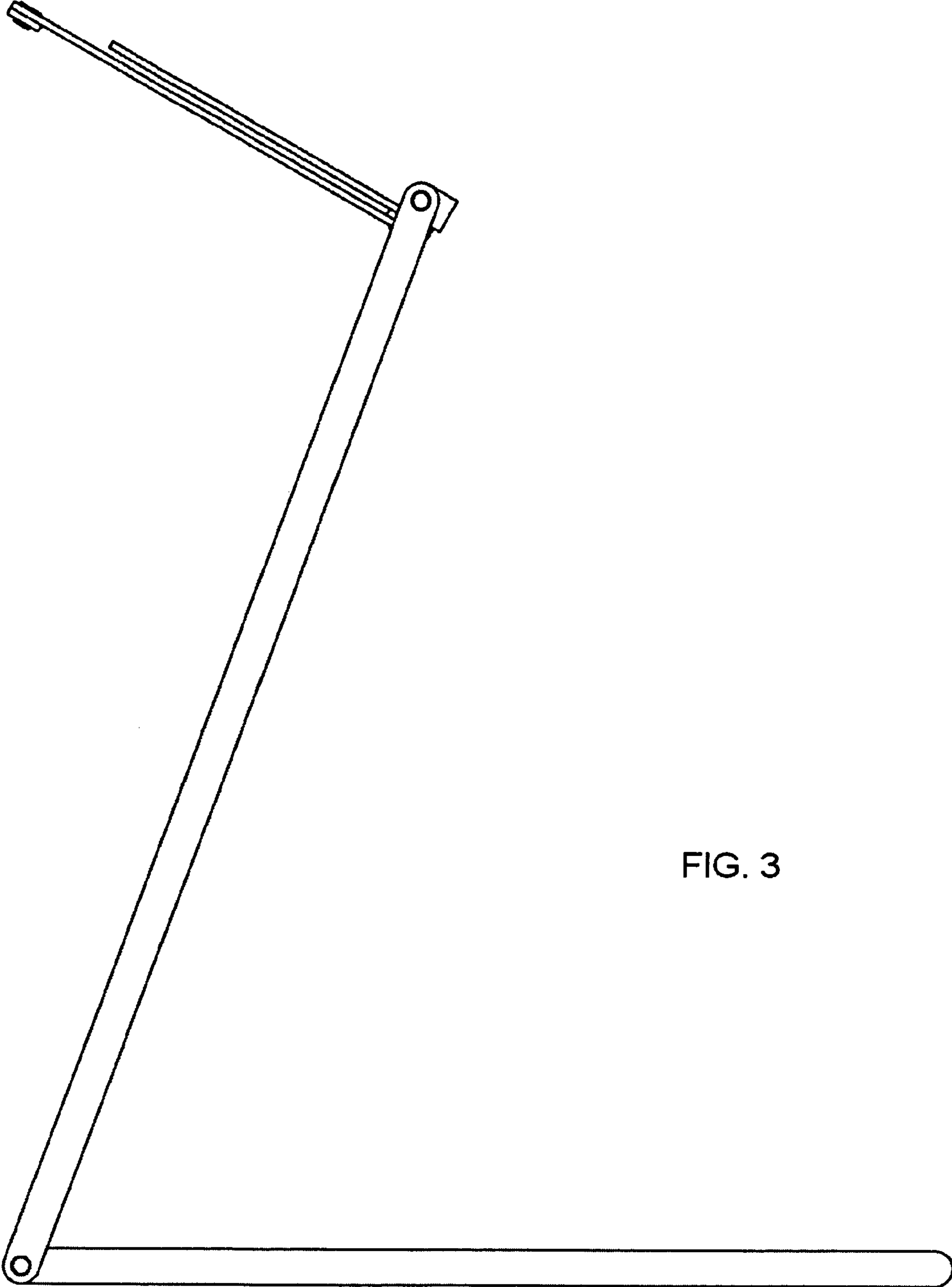


FIG. 3

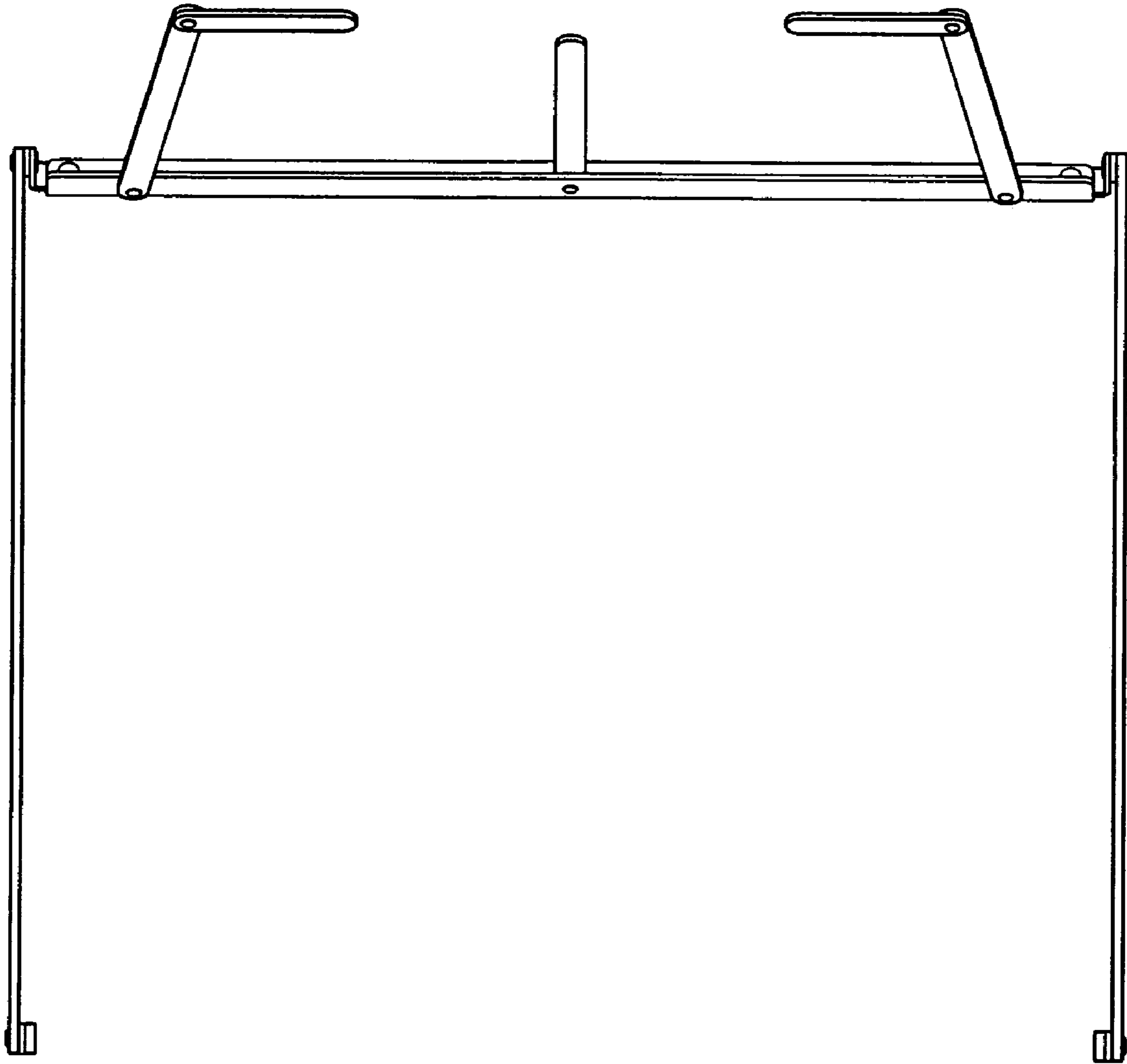


Fig. 4

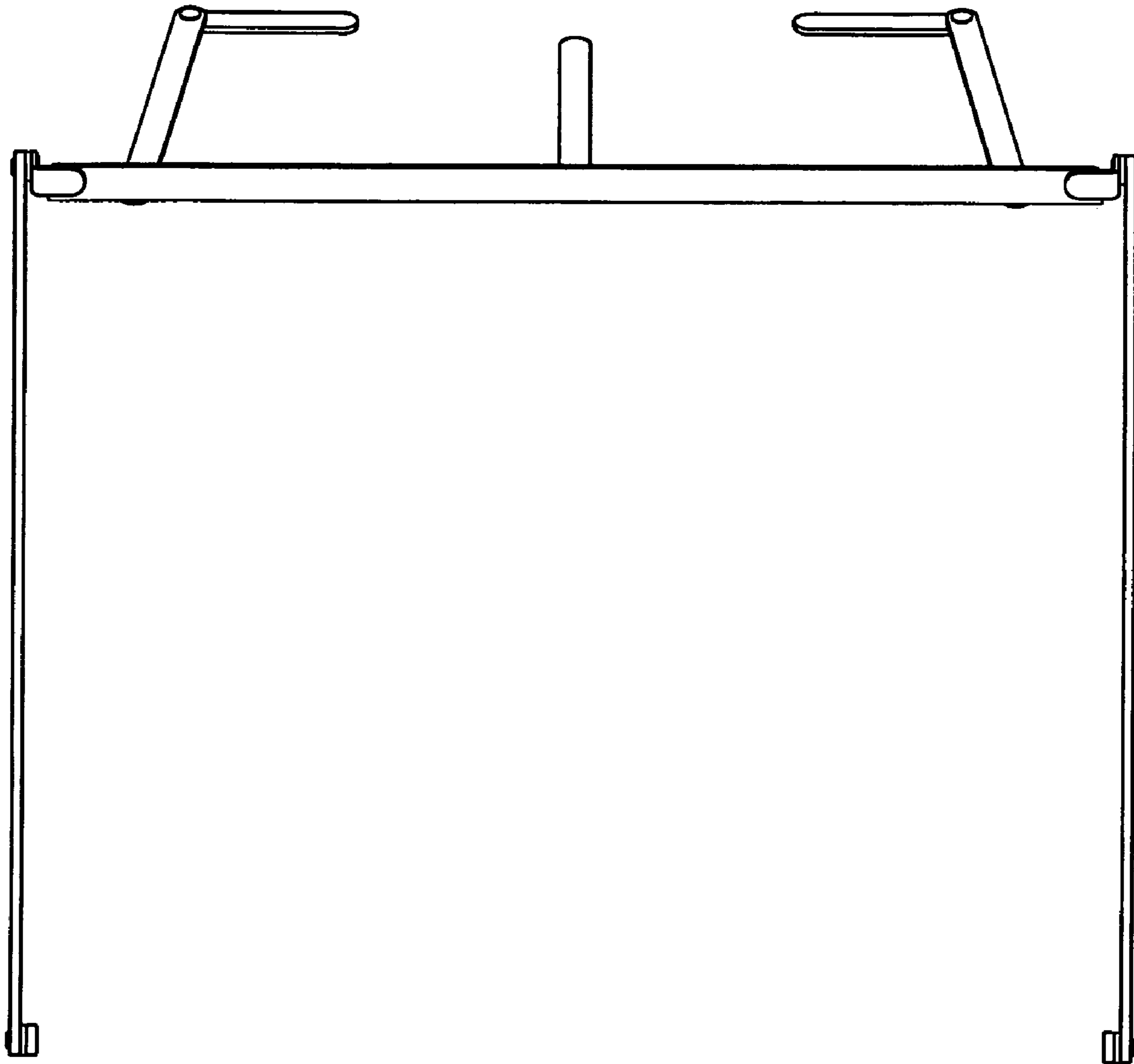


Fig. 5

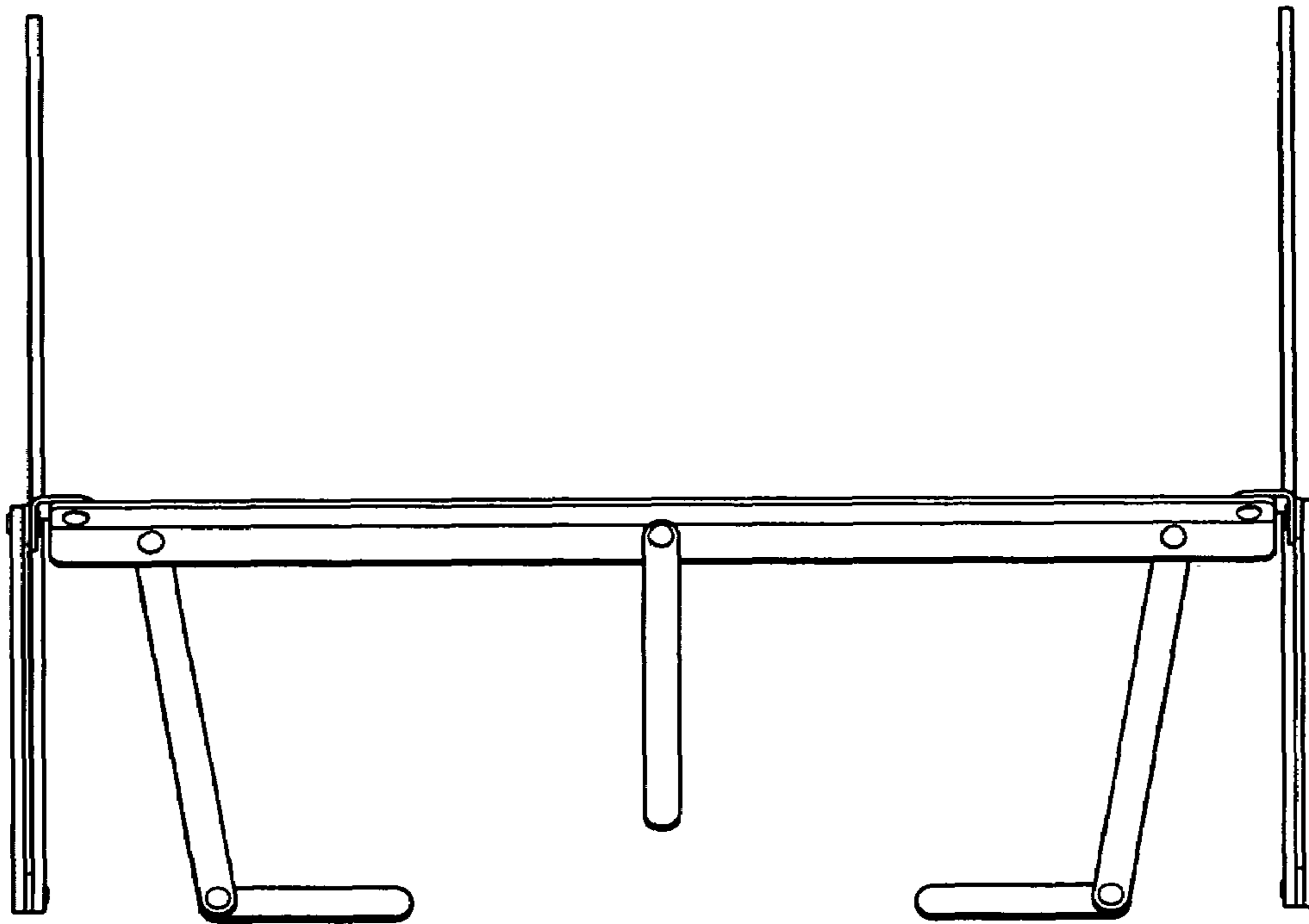


Fig. 6

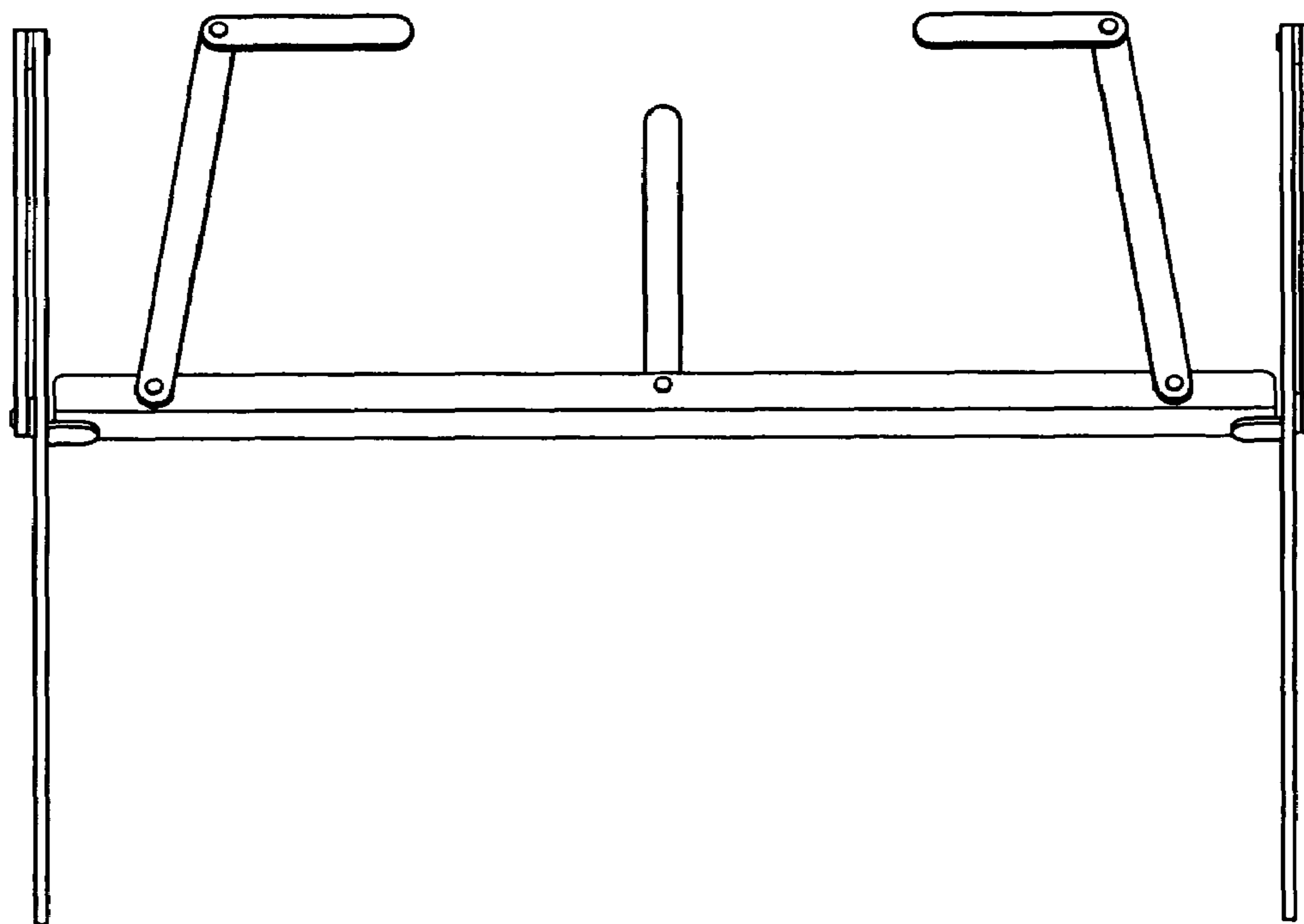


Fig. 7