

US00D562565S

(12) **United States Design Patent**
Liu

(10) **Patent No.:** **US D562,565 S**
(45) **Date of Patent:** **** Feb. 26, 2008**

(54) **SNOW BRUSH**

(76) Inventor: **David Liu**, No. 24, Lane 180, Sec. 3,
Kangning Road, Neihu District, Taipei
(TW)

(**) Term: **14 Years**

(21) Appl. No.: **29/282,013**

(22) Filed: **Jul. 9, 2007**

(51) **LOC (8) Cl.** **04-01**

(52) **U.S. Cl.** **D4/118**

(58) **Field of Classification Search** D4/116,
D4/118, 132, 134, 138; D32/42, 46, 49;
15/111, 117, 143.1, 144.3, 144.4, 159.1, 160,
15/236.01, 236.02, 236.08; 16/429, 430,
16/431

See application file for complete search history.

(56) **References Cited**

U.S. PATENT DOCUMENTS

D335,771 S * 5/1993 Mallory et al. D4/118
6,243,906 B1 * 6/2001 Holliday et al. D4/118
D451,287 S * 12/2001 Ingram D32/42
D484,655 S * 12/2003 Anderson et al. D32/42

D501,726 S * 2/2005 Liu D4/118
D501,727 S * 2/2005 Liu D4/118
2007/0085359 A1 * 4/2007 Schouten 294/51

* cited by examiner

Primary Examiner—Cathron Brooks
Assistant Examiner—Lavone D. Tabor
(74) *Attorney, Agent, or Firm*—Banger Shia

(57) **CLAIM**

The ornamental design for a snow brush, as shown and described.

DESCRIPTION

FIG. 1 is a perspective view of a snow brush showing my present design,

FIG. 2 is a front view thereof;

FIG. 3 is a rear view thereof;

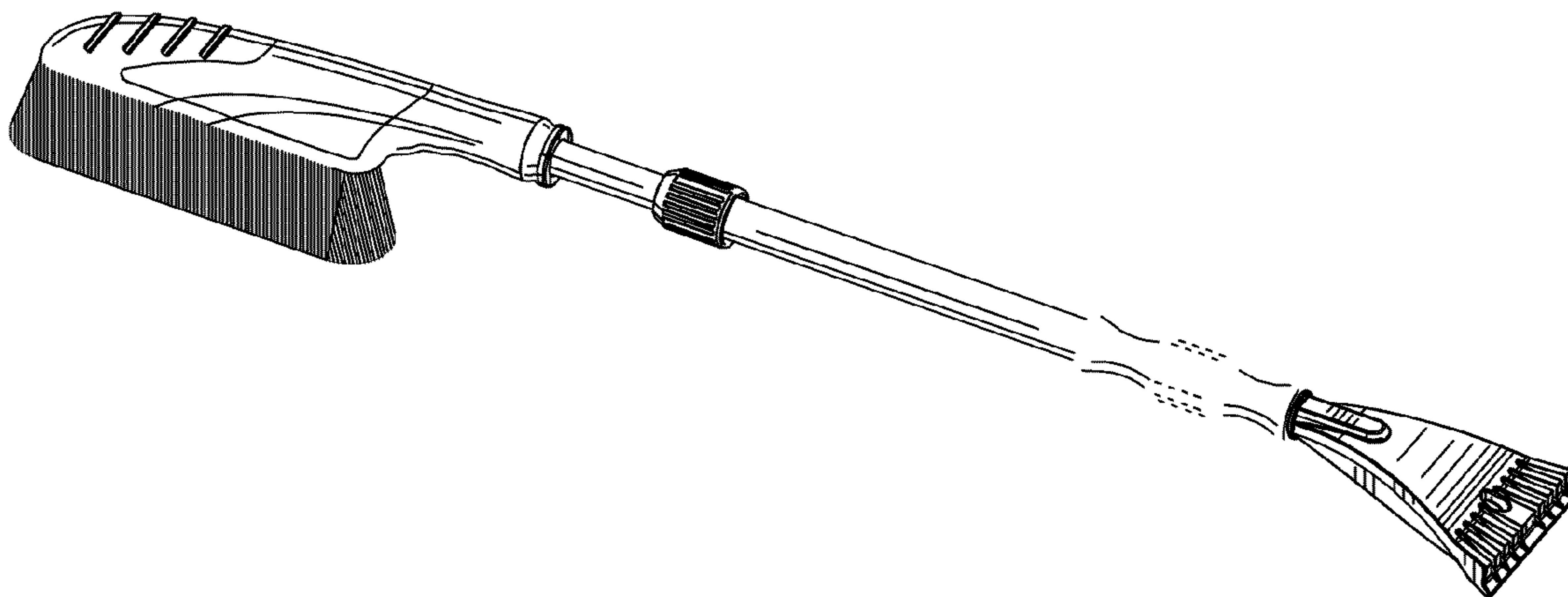
FIG. 4 is a left view thereof;

FIG. 5 is a right view thereof;

FIG. 6 is a top view thereof; and,

FIG. 7 is a bottom view.

1 Claim, 4 Drawing Sheets



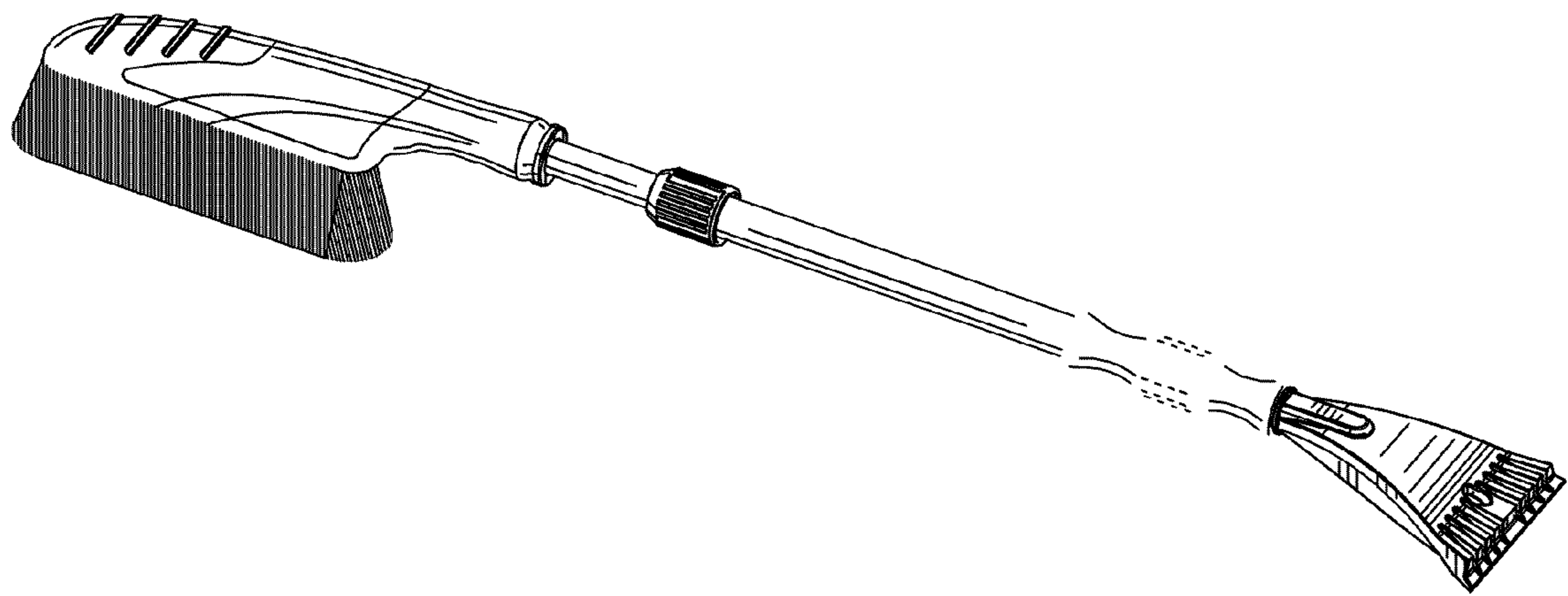


FIG. 1

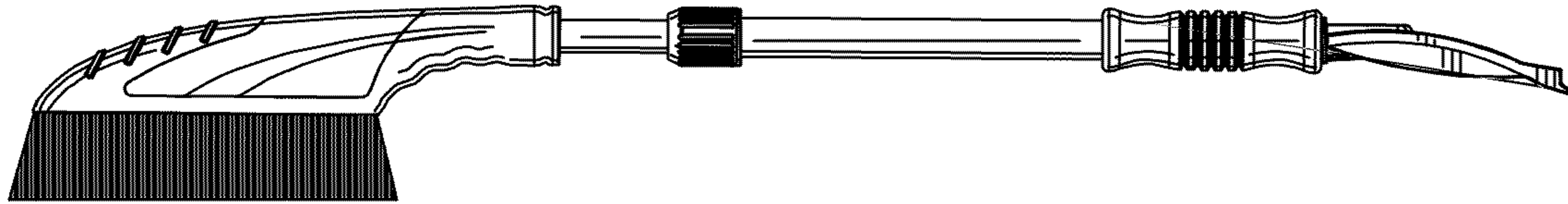


FIG. 2

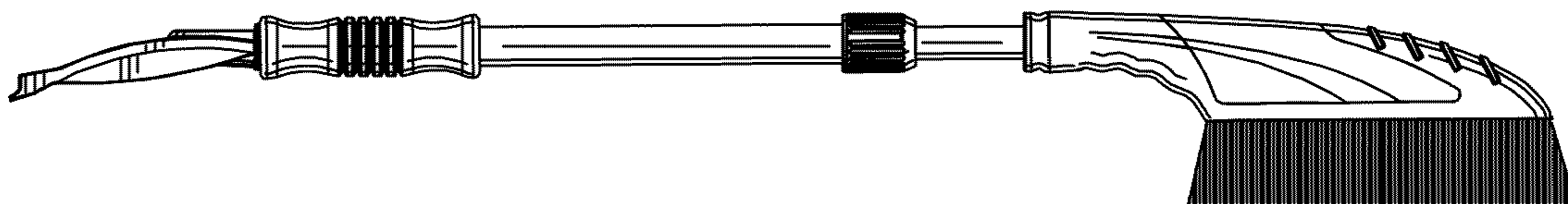


FIG. 3

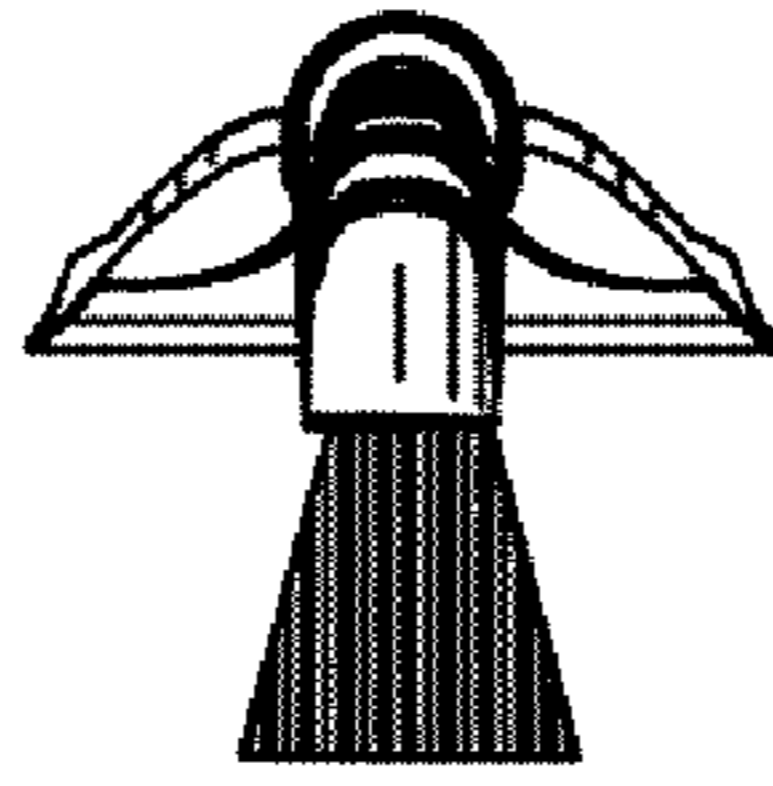


FIG. 4

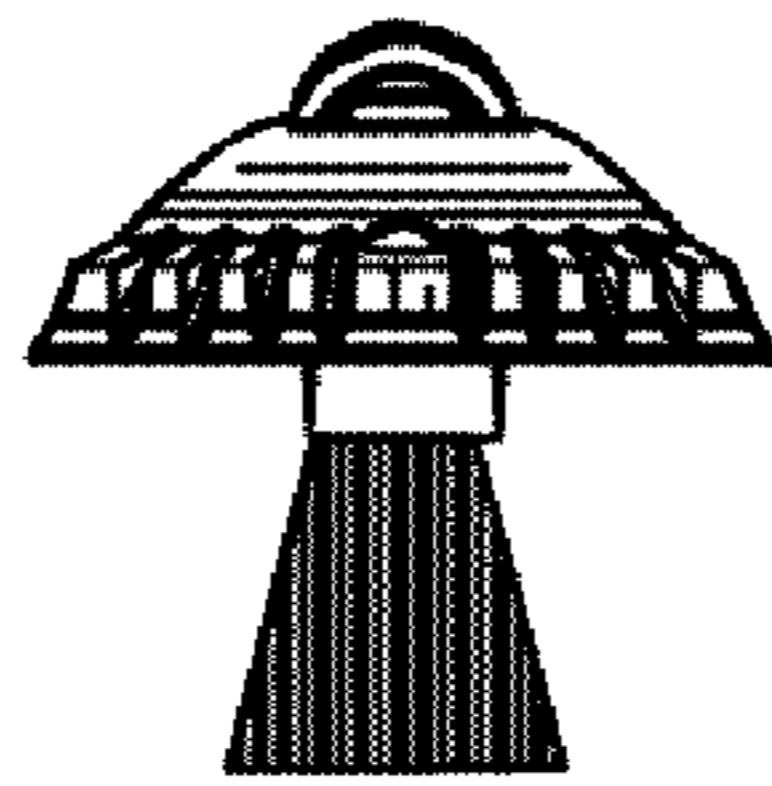


FIG. 5

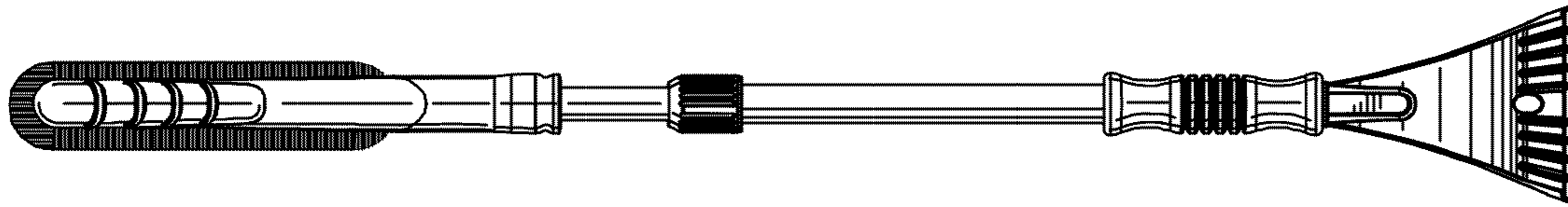


FIG. 6

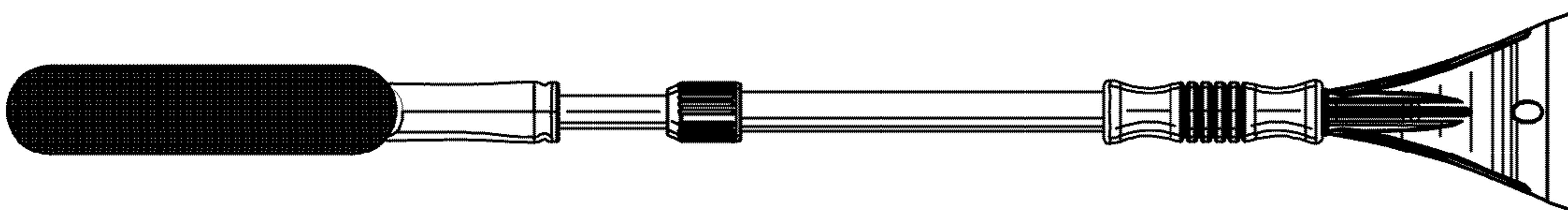


FIG. 7