



US00D562559S

(12) **United States Design Patent**
Murray

(10) **Patent No.:** **US D562,559 S**

(45) **Date of Patent:** **** Feb. 26, 2008**

(54) **POWER SCRUBBER**

6,425,701 B1 7/2002 Jacobs
7,044,674 B2 5/2006 Dixon et al.

(75) Inventor: **Christopher J. Murray**, Baltimore, MD (US)

* cited by examiner

(73) Assignee: **Black & Decker Inc.**, Newark, DE (US)

Primary Examiner—Cathron Brooks
Assistant Examiner—Lavone D. Tabor
(74) *Attorney, Agent, or Firm*—John Yun; Bruce S. Shapiro; Wesley Muller

(**) Term: **14 Years**

(21) Appl. No.: **29/288,944**

(57) **CLAIM**

(22) Filed: **Jun. 27, 2007**

The ornamental design for a power scrubber, as shown and described.

(51) **LOC (8) Cl.** **04-01**

(52) **U.S. Cl.** **D4/102; D4/122**

(58) **Field of Classification Search** D4/102, D4/114, 122, 128, 138; 15/23, 24, 26, 27, 15/50.1, 50.2, 50.3, 52.1, 179, 230.11; 401/197, 401/208, 219, 220, 268, 270; 492/13, 16-19
See application file for complete search history.

DESCRIPTION

FIG. 1 is a front perspective view of a power scrubber of the present invention.

FIG. 2 is a front view of the power scrubber according to FIG. 1.

FIG. 3 is a rear view of the power scrubber according to FIG. 1.

FIG. 4 is a right side view of the power scrubber according to FIG. 1.

FIG. 5 is a left side view of the power scrubber according to FIG. 1.

FIG. 6 is a top view of the power scrubber according to FIG. 1; and,

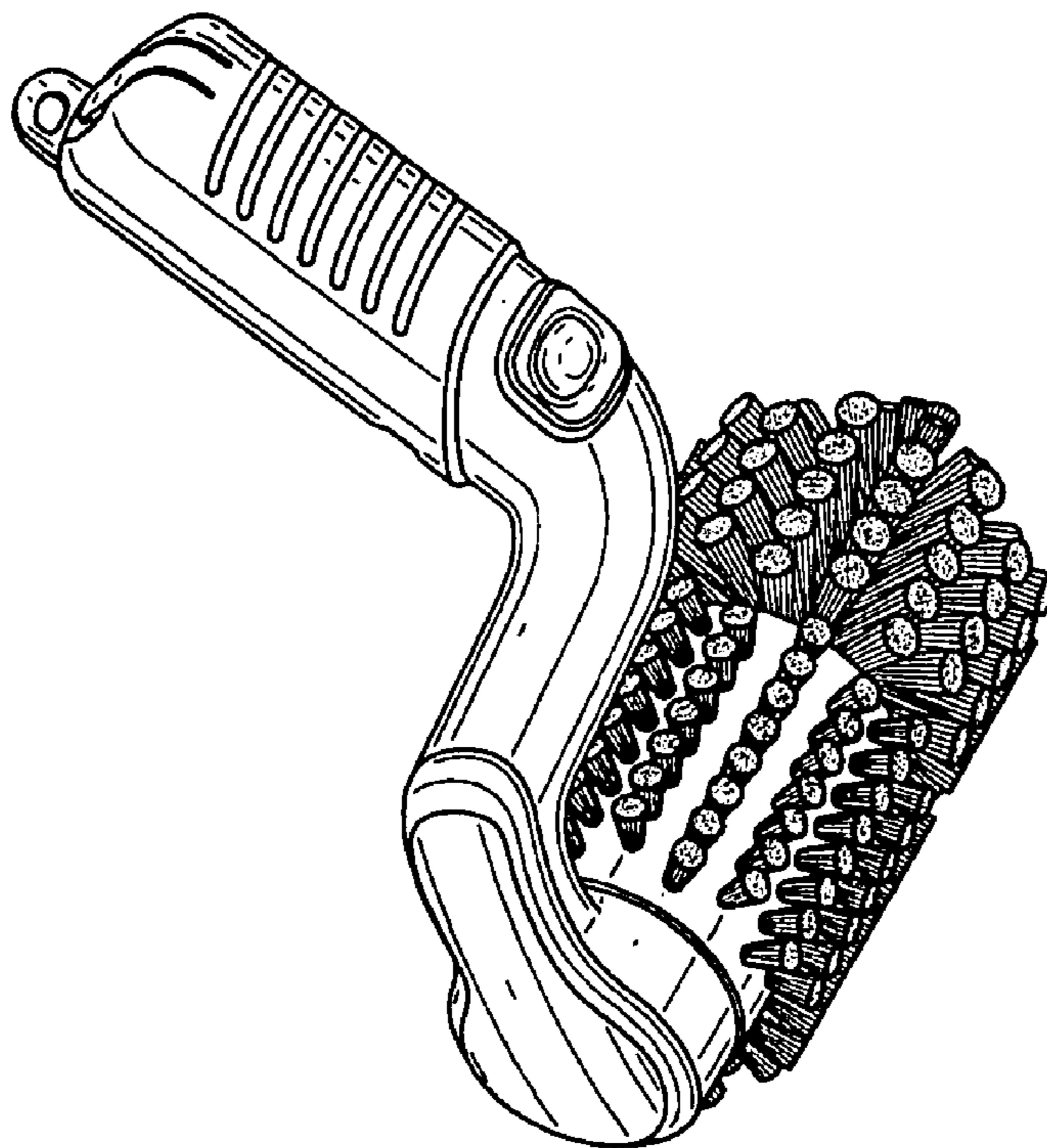
FIG. 7 is a bottom view of the power scrubber according to FIG. 1.

(56) **References Cited**

U.S. PATENT DOCUMENTS

3,024,487	A	3/1962	Jones et al.	
3,172,138	A *	3/1965	Price	15/98
3,748,678	A *	7/1973	Ballou	15/24
D262,670	S *	1/1982	Wellin	D4/102
4,409,755	A	10/1983	Maddock	
4,552,476	A	11/1985	Heraty et al.	
4,597,127	A *	7/1986	Swanson	15/24
4,778,298	A	10/1988	Shin et al.	
5,735,620	A	4/1998	Ford	
6,324,713	B1 *	12/2001	Barkley	15/23

1 Claim, 4 Drawing Sheets



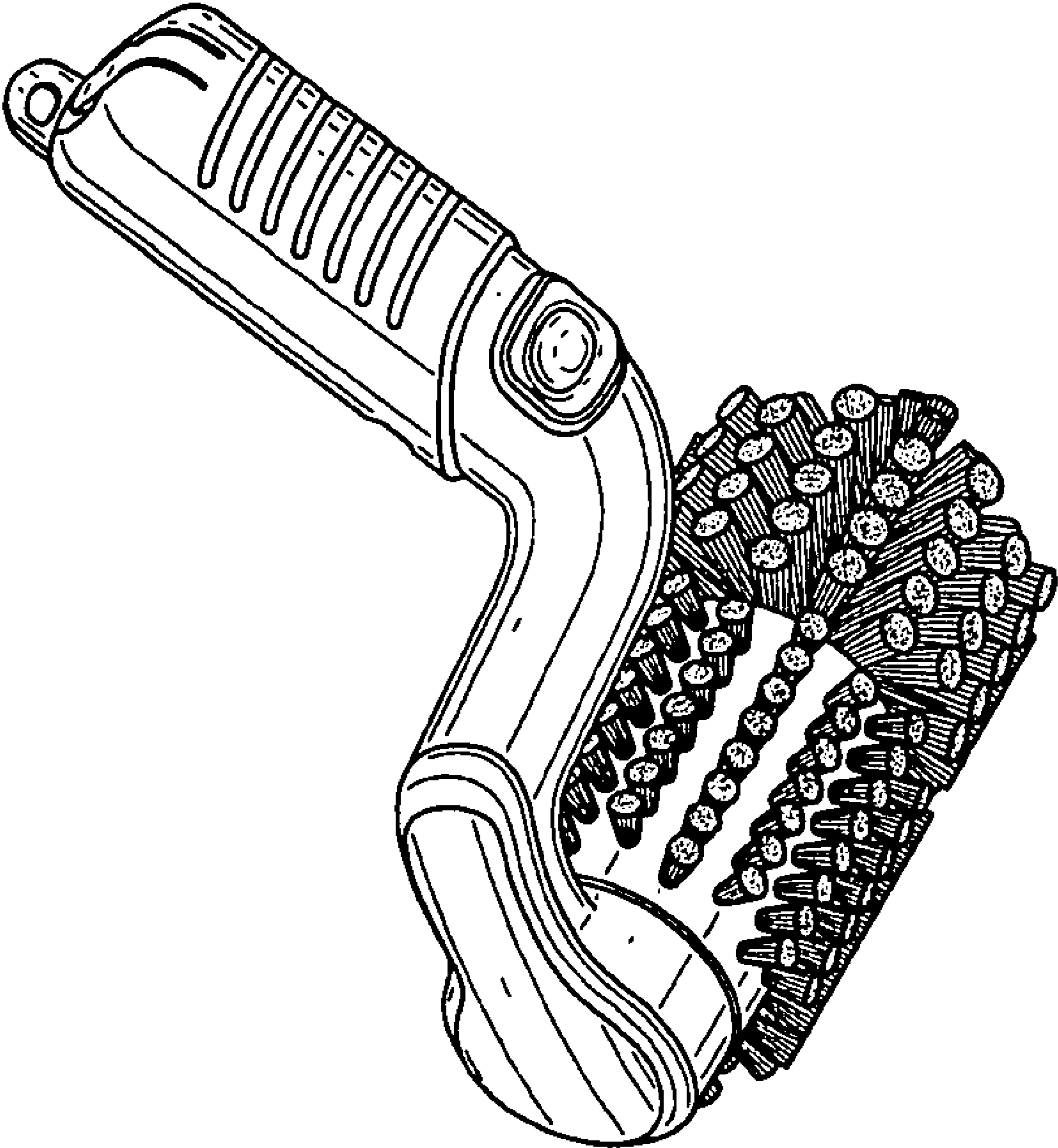


FIG. 1

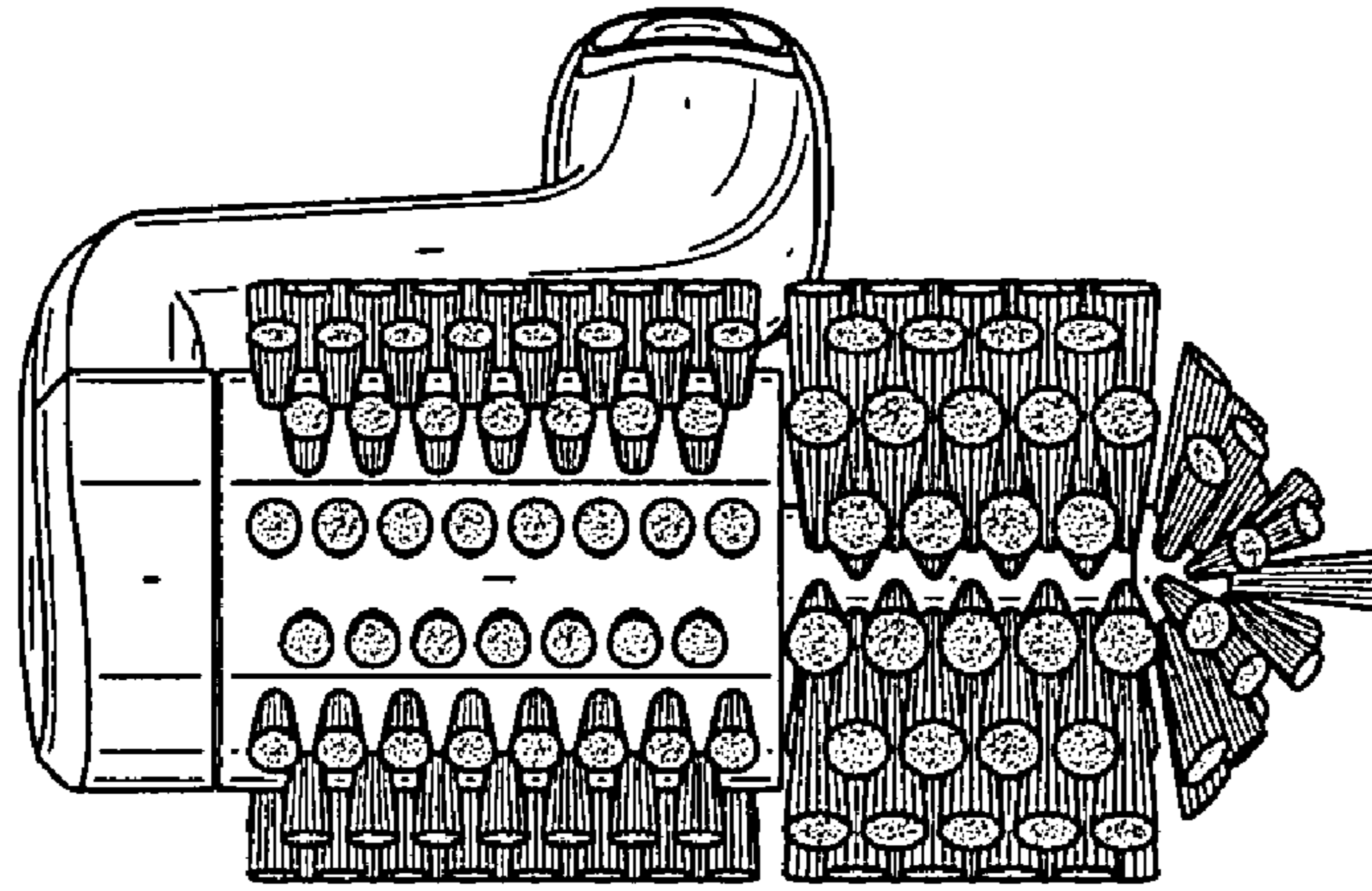


FIG. 2

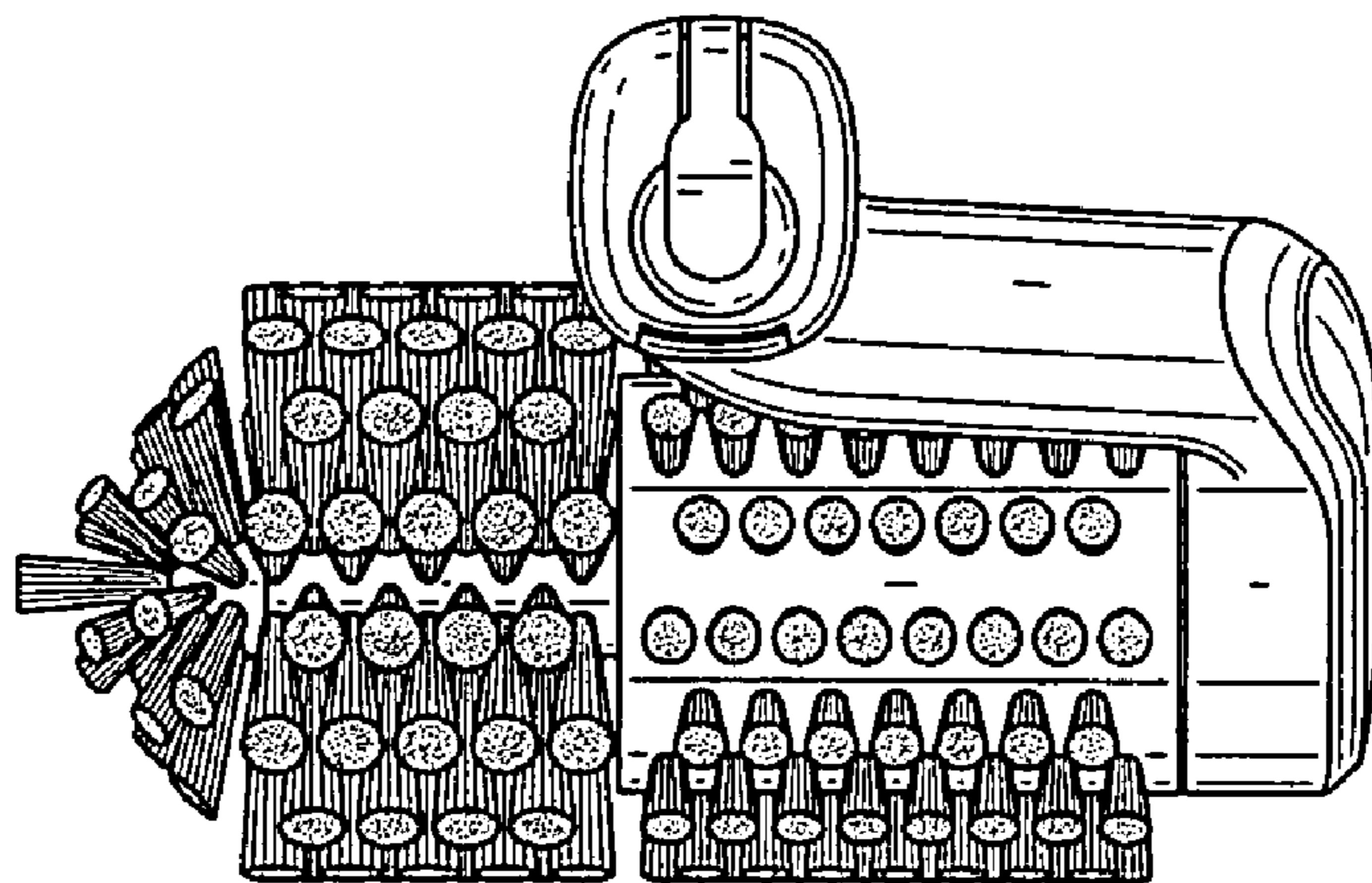


FIG. 3

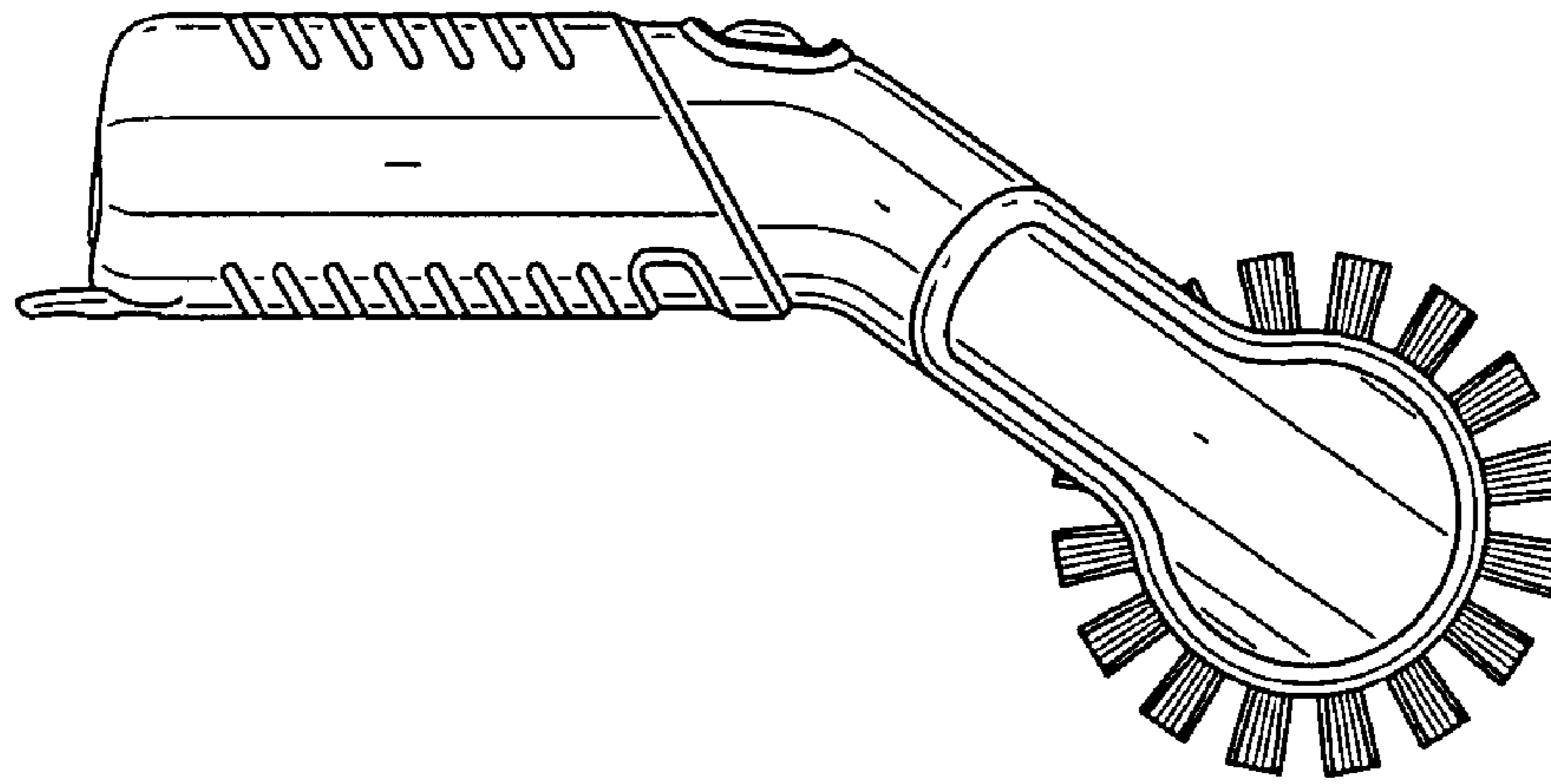


FIG. 4

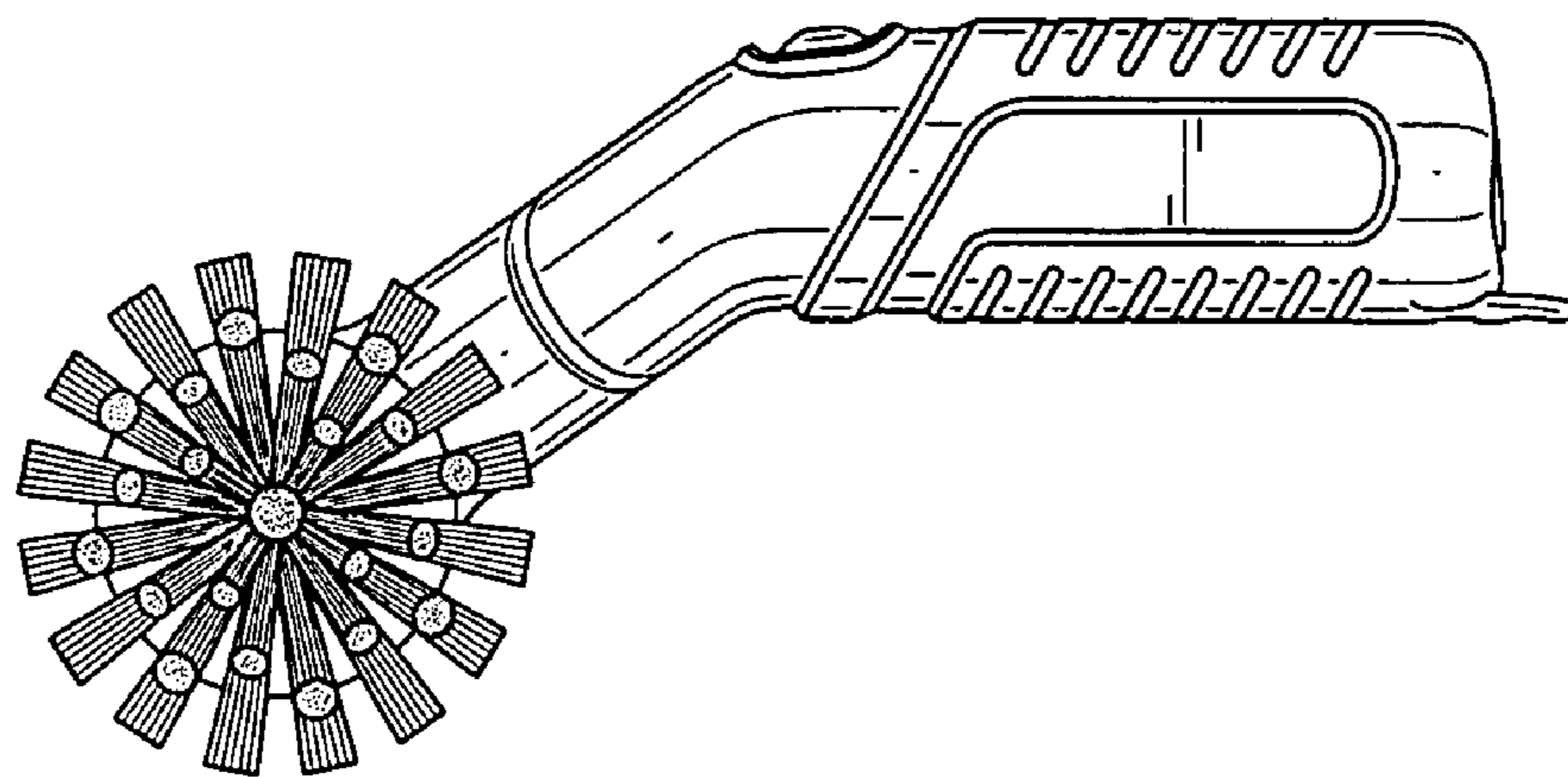


FIG. 5

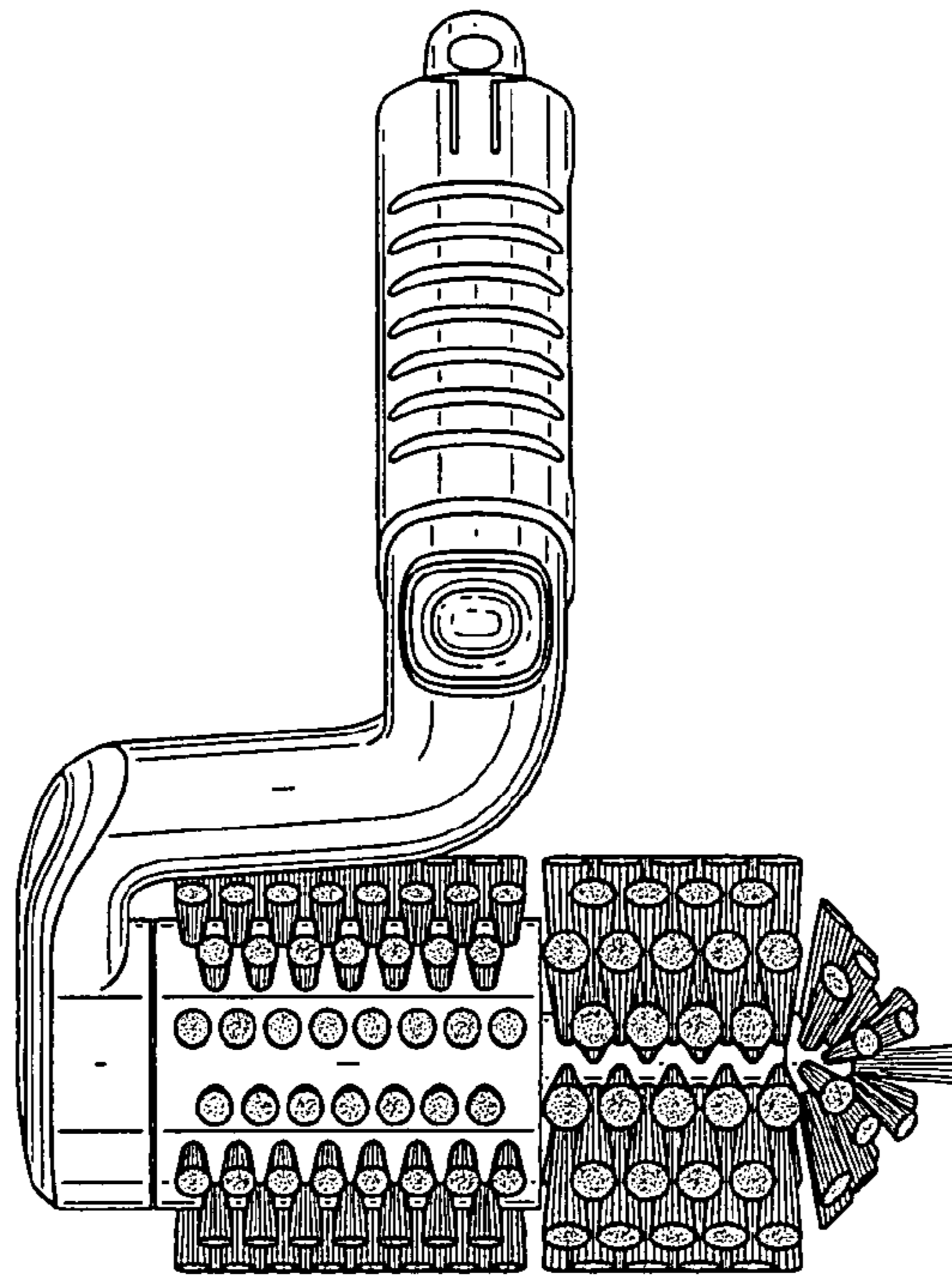


FIG. 6

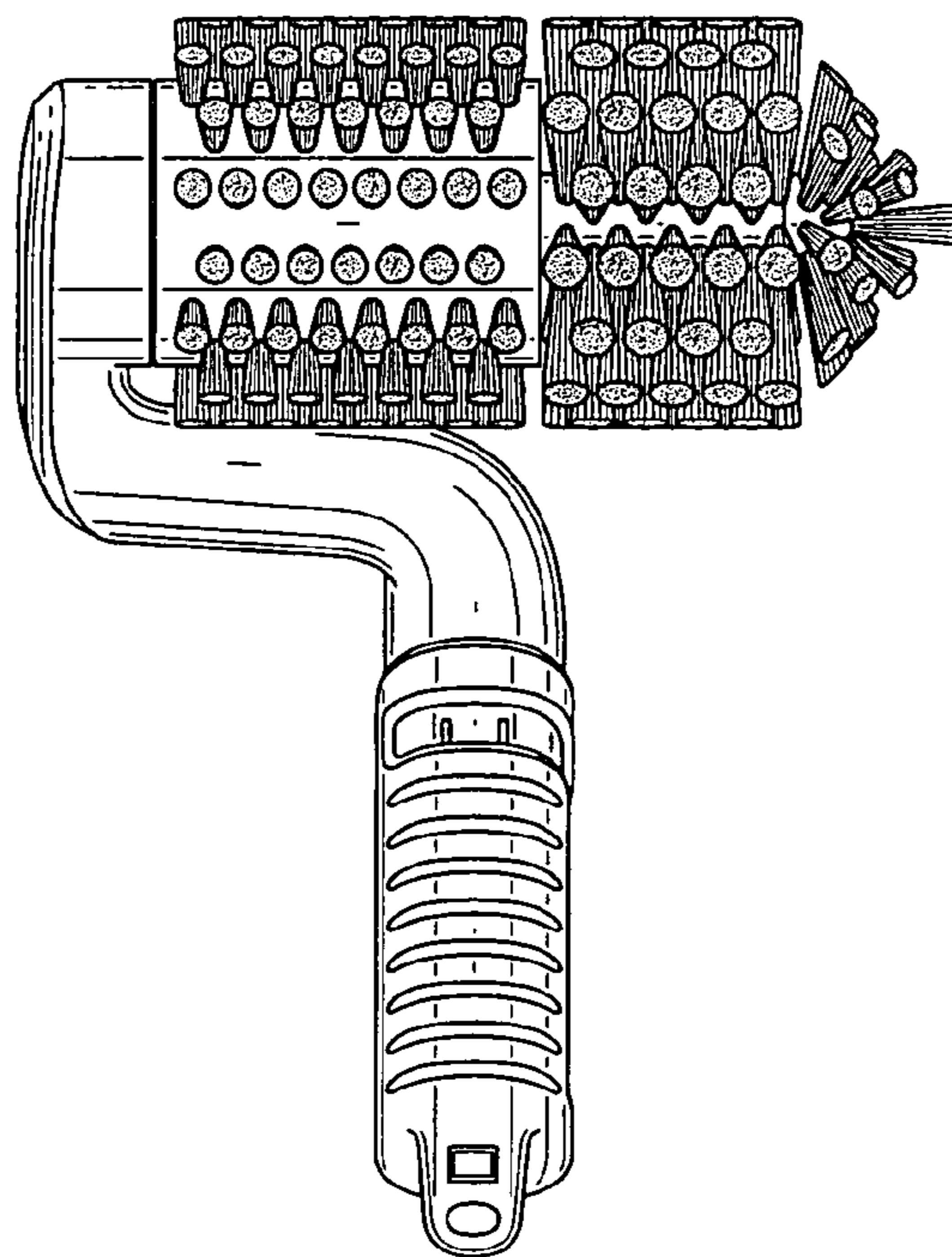


FIG. 7