



US00D562558S

(12) **United States Design Patent**
Bryan

(10) **Patent No.:** **US D562,558 S**

(45) **Date of Patent:** **** Feb. 26, 2008**

(54) **TOOL CADDY**

2007/0023307 A1* 2/2007 Liu 206/373

(76) Inventor: **Gordon M. Bryan**, 4145 Michael SW.,
Wyoming, MI (US) 49509

* cited by examiner

Primary Examiner—Catherine R. Oliver

(74) *Attorney, Agent, or Firm*—McGarry Bair PC

(**) Term: **14 Years**

(21) Appl. No.: **29/280,000**

(57) **CLAIM**

(22) Filed: **May 14, 2007**

The ornamental design for a tool caddy, as shown and described.

(51) **LOC (8) Cl.** **03-01**

(52) **U.S. Cl.** **D3/315**

(58) **Field of Classification Search** D3/315,
D3/201, 304, 905, 903, 901, 316; 206/372-375;
211/70.6

DESCRIPTION

See application file for complete search history.

FIG. 1 is a front perspective view of a tool caddy which embodies my design;

FIG. 2 is a front view thereof;

FIG. 3 is a rear view thereof;

FIG. 4 is a left side view thereof, the right side view thereof being a mirror image there;

FIG. 5 is a top view thereof; and,

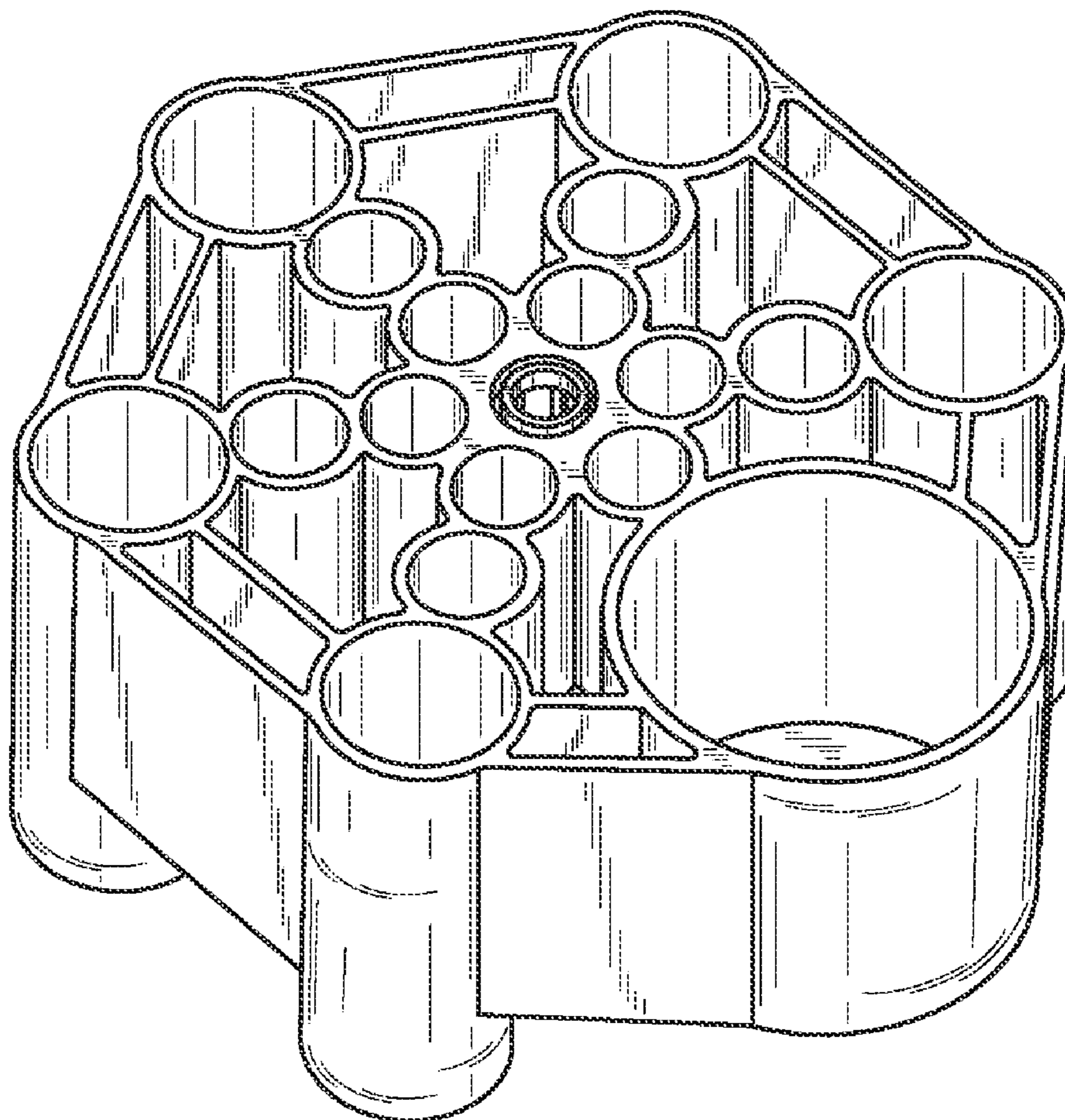
FIG. 6 is a bottom view thereof.

(56) **References Cited**

U.S. PATENT DOCUMENTS

D535,821 S *	1/2007	Chen et al.	D3/304
D541,612 S *	5/2007	Lin et al.	D3/905
D542,034 S *	5/2007	Romano	D3/315
2005/0189250 A1 *	9/2005	Hsu	206/373

1 Claim, 5 Drawing Sheets



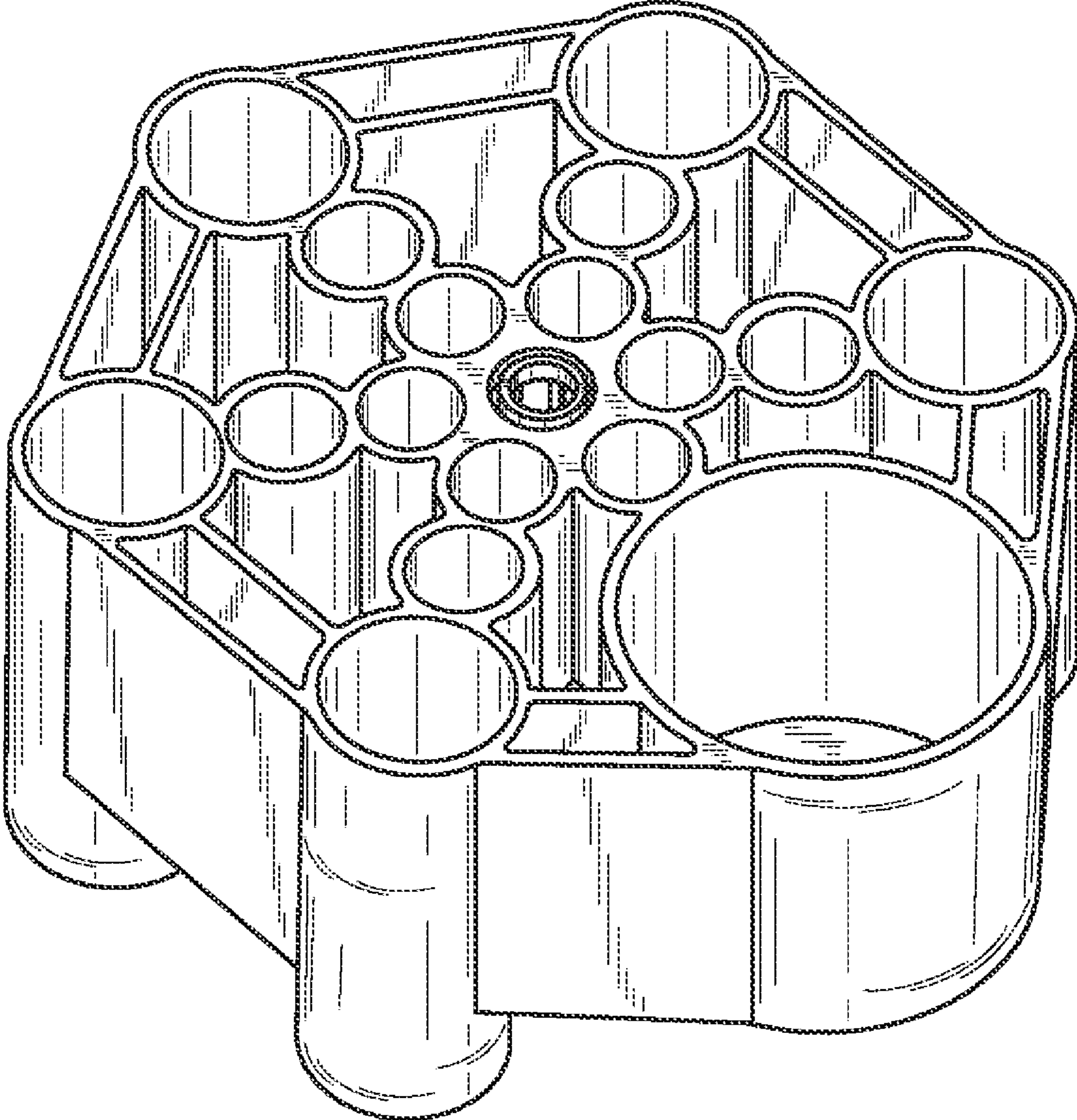


Fig. 1

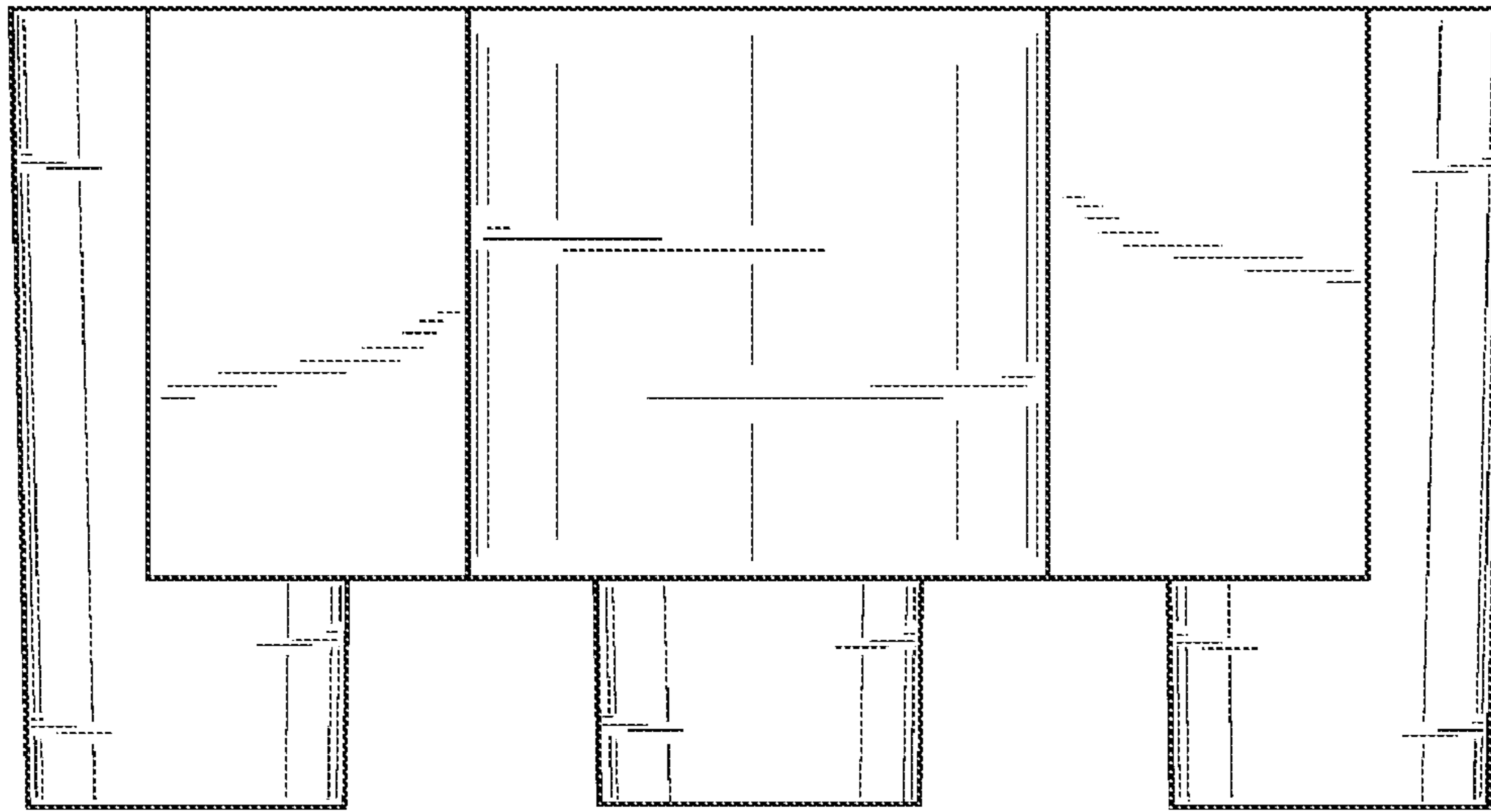


Fig. 2

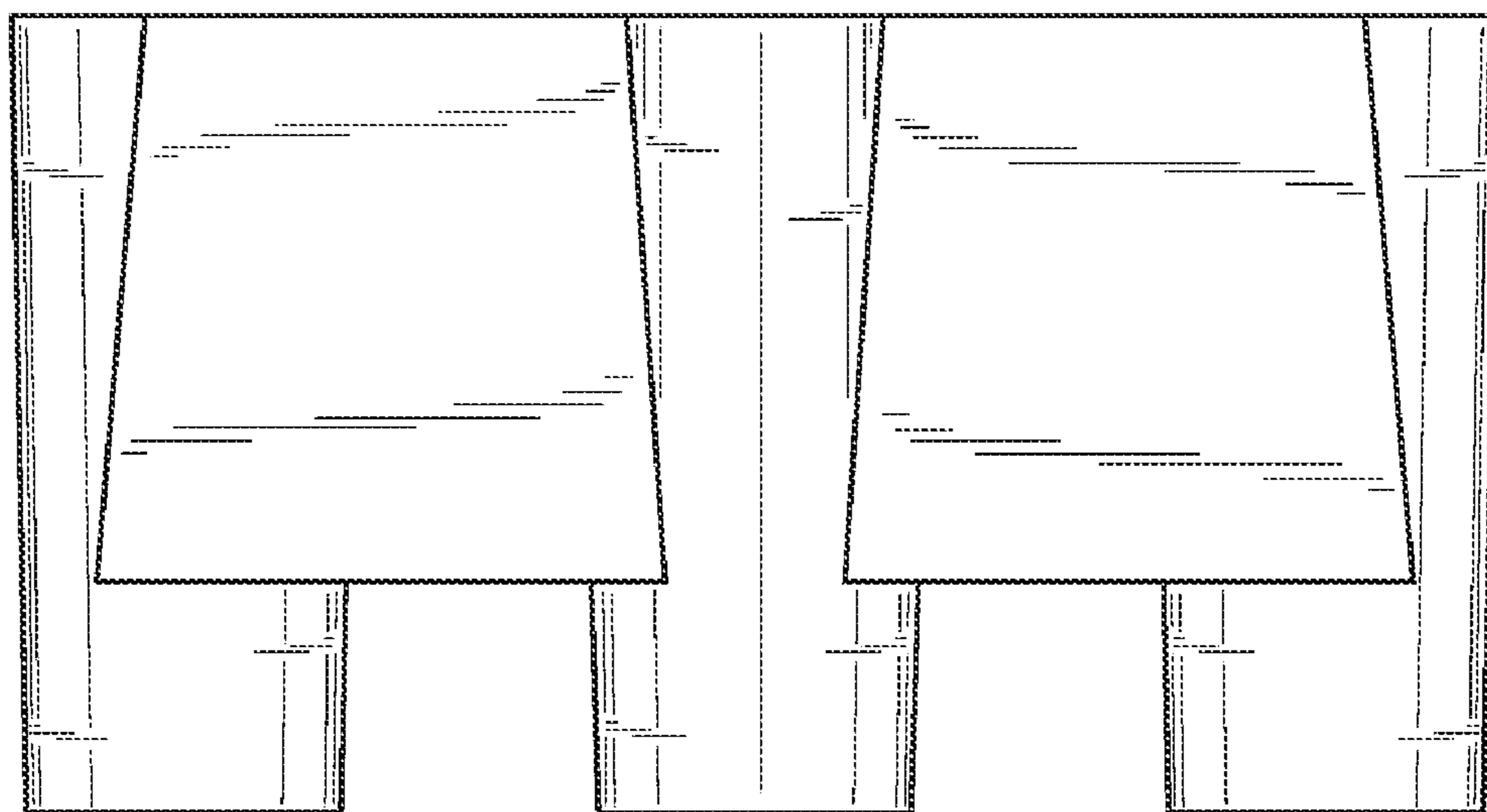


Fig. 3

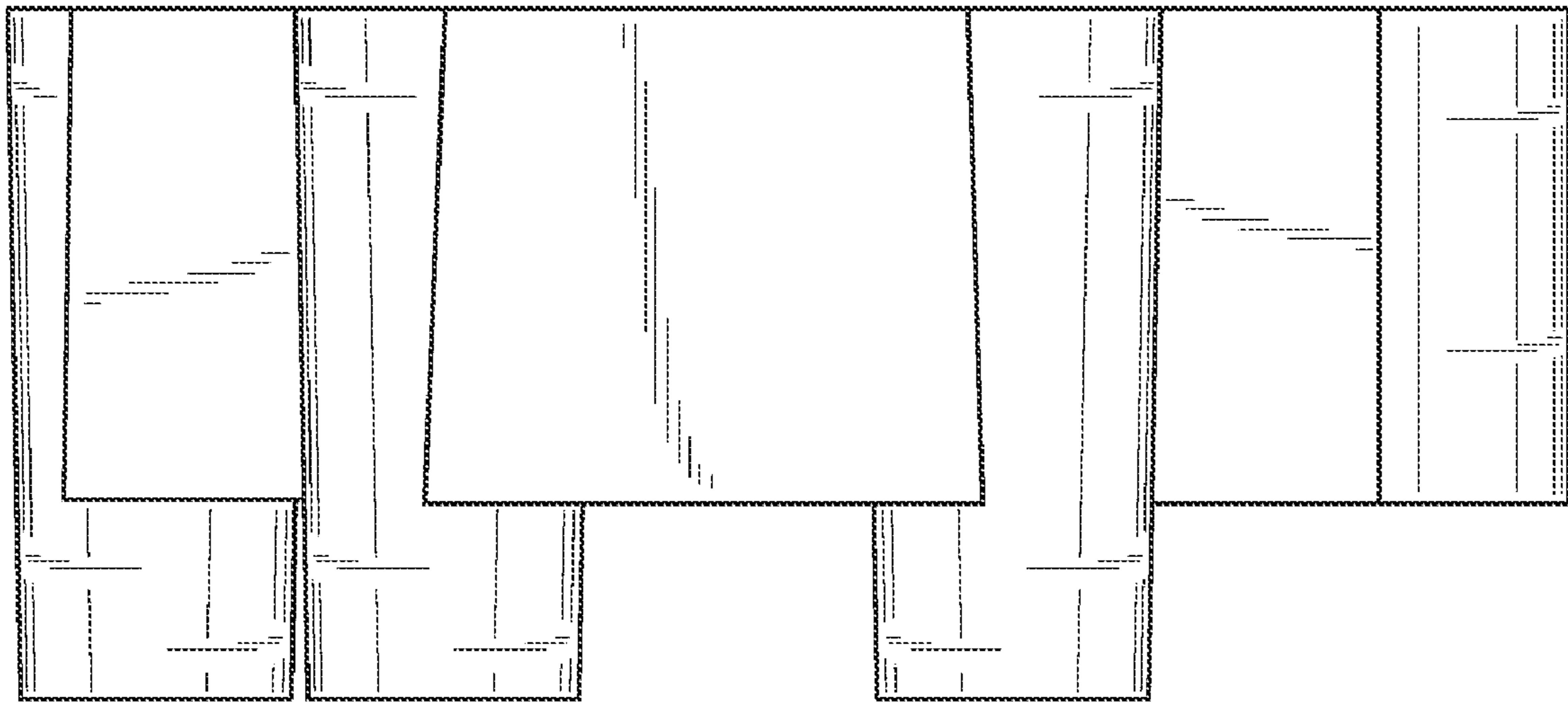


Fig. 4

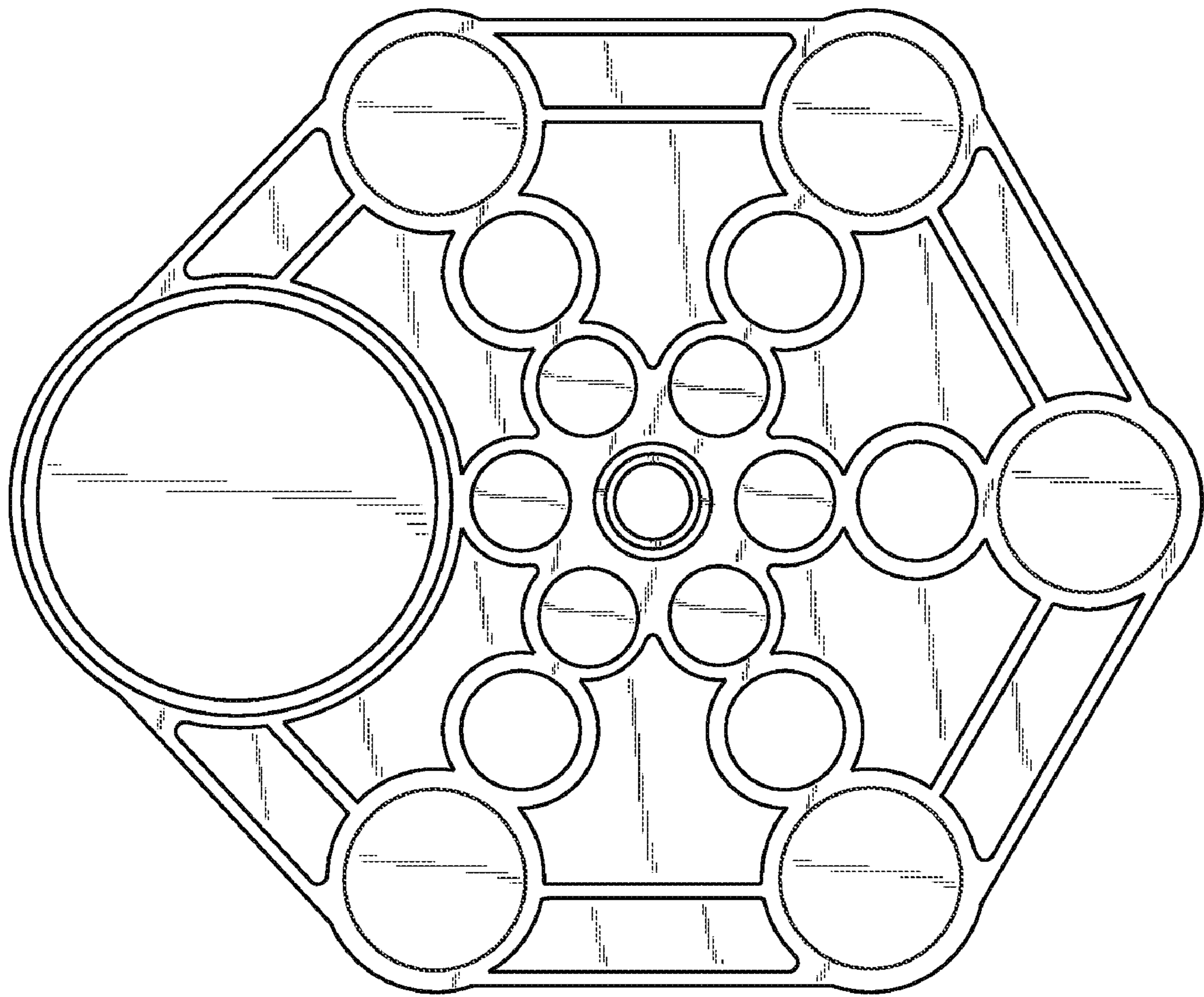


Fig. 5

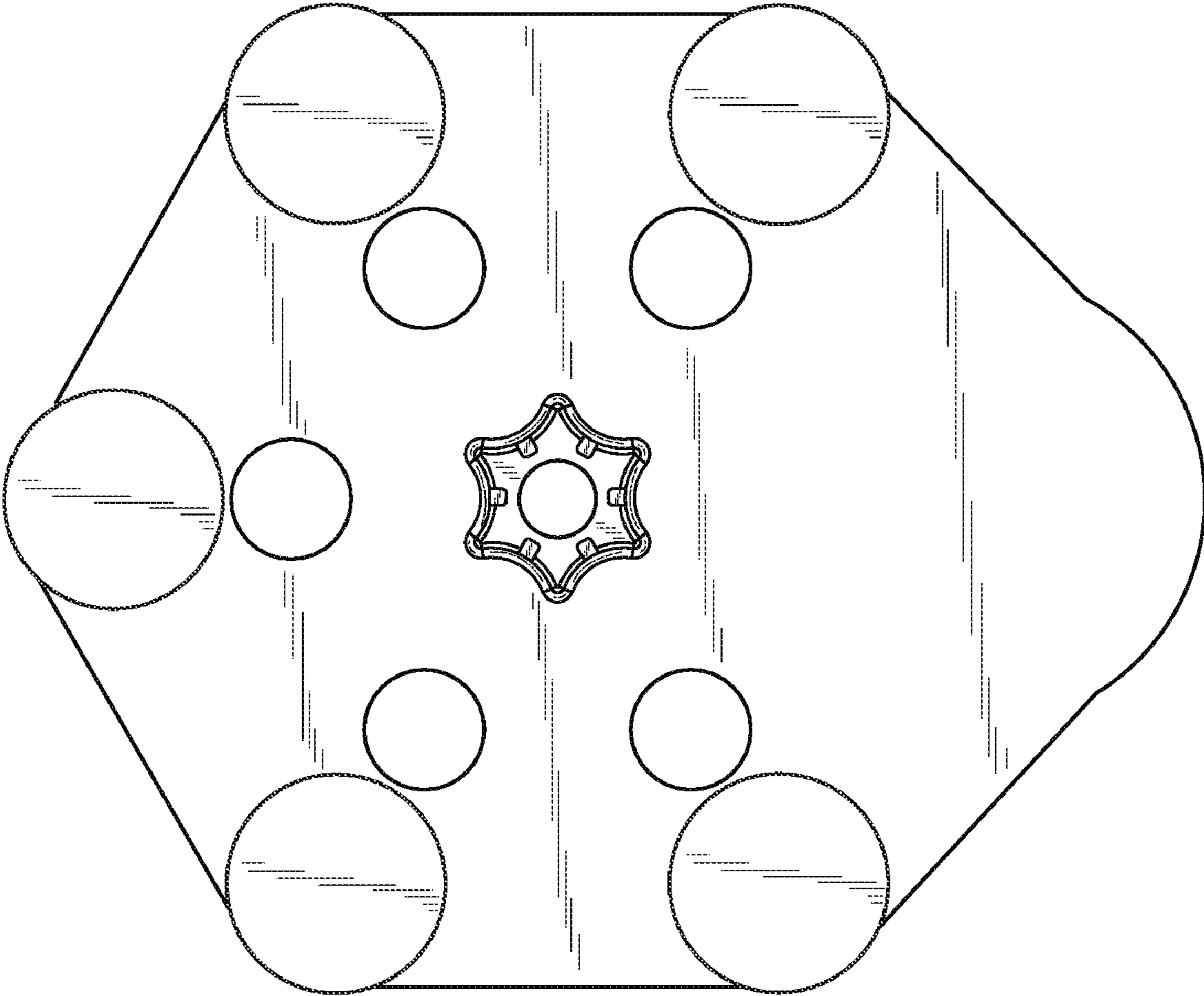


Fig. 6