



US00D562557S

(12) **United States Design Patent**
Lewis

(10) **Patent No.:** **US D562,557 S**

(45) **Date of Patent:** **** Feb. 26, 2008**

(54) **STORAGE CONTAINER AND CADDY**

(76) Inventor: **Robert Lewis**, 119 Mark David Blvd.,
Casselberry, FL (US) 32707

(**) Term: **14 Years**

(21) Appl. No.: **29/253,802**

(22) Filed: **Feb. 13, 2006**

(51) **LOC (8) Cl.** **03-01**

(52) **U.S. Cl.** **D3/313**

(58) **Field of Classification Search** D3/303-315;
D19/76; 220/766-769, 797; D6/525; D21/783;
D24/101; D12/407; D32/37, 55; 206/509;
D9/425, 431; 229/122.26, 178

See application file for complete search history.

(56) **References Cited**

U.S. PATENT DOCUMENTS

D77,948 S *	3/1929	Evans	D3/309
D241,014 S *	8/1976	Barnhart et al.	D9/425
D245,368 S *	8/1977	Mueller	D26/105
D251,352 S *	3/1979	Menius	D7/619.1
D285,344 S *	8/1986	Olson	D24/127
5,544,764 A *	8/1996	Cima	211/60.1
D450,456 S *	11/2001	Warren, III	D3/313
D450,485 S *	11/2001	Buchanan et al.	D6/474
D453,780 S *	2/2002	Evansic	D15/147
D455,459 S *	4/2002	Cheris et al.	D19/90

D494,384 S *	8/2004	Chandaria	D6/468
D525,657 S *	7/2006	Warren, III	D19/77

* cited by examiner

Primary Examiner—Lou Zarfes

Assistant Examiner—Eric L Goodman

(74) *Attorney, Agent, or Firm*—Elsie C. Turner

(57) **CLAIM**

The ornamental design for a storage container and caddy, as shown and described.

DESCRIPTION

FIG. 1 is a perspective view of the carrying caddy with the storage container;

FIG. 2 is a perspective view of the empty caddy;

FIG. 3 is a front elevational view of the storage container in the caddy;

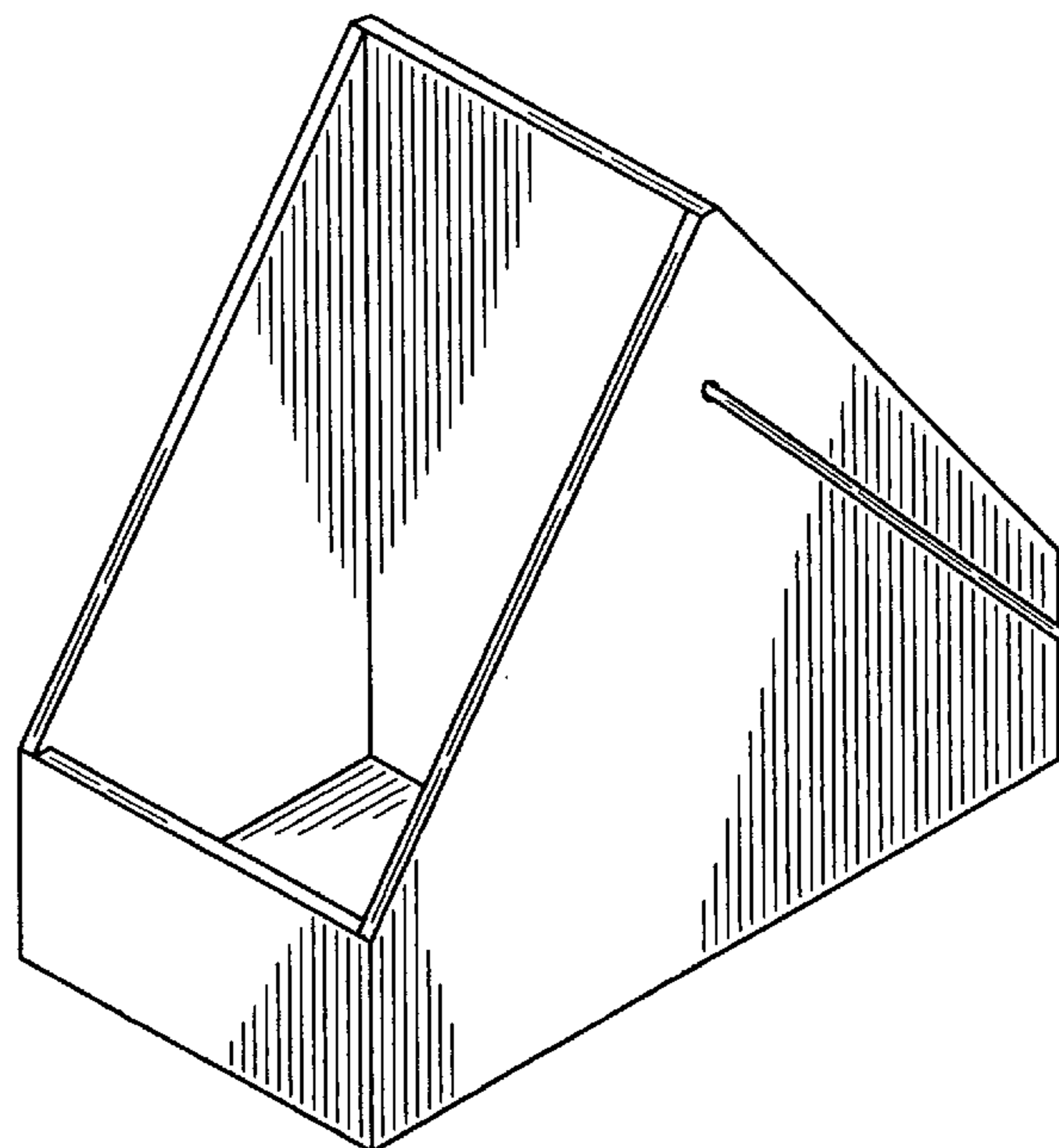
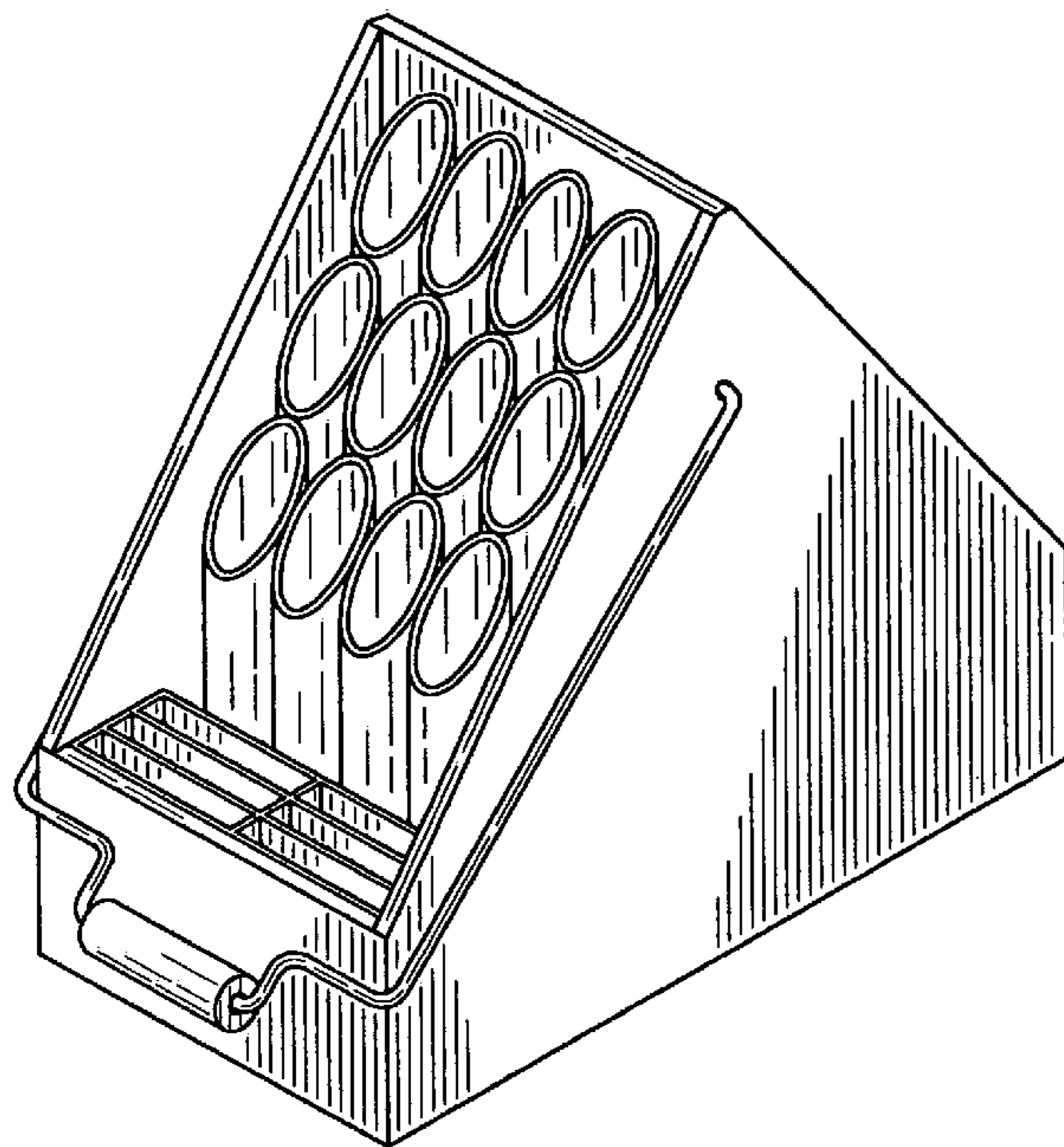
FIG. 4 is a rear elevational view of the caddy;

FIG. 5 is a right side elevational view of the caddy, it being understood that the left side elevational view is a mirror image of the right side;

FIG. 6 is a top plan view of the storage container and caddy; and,

FIG. 7 is a bottom plan view of the caddy.

1 Claim, 3 Drawing Sheets



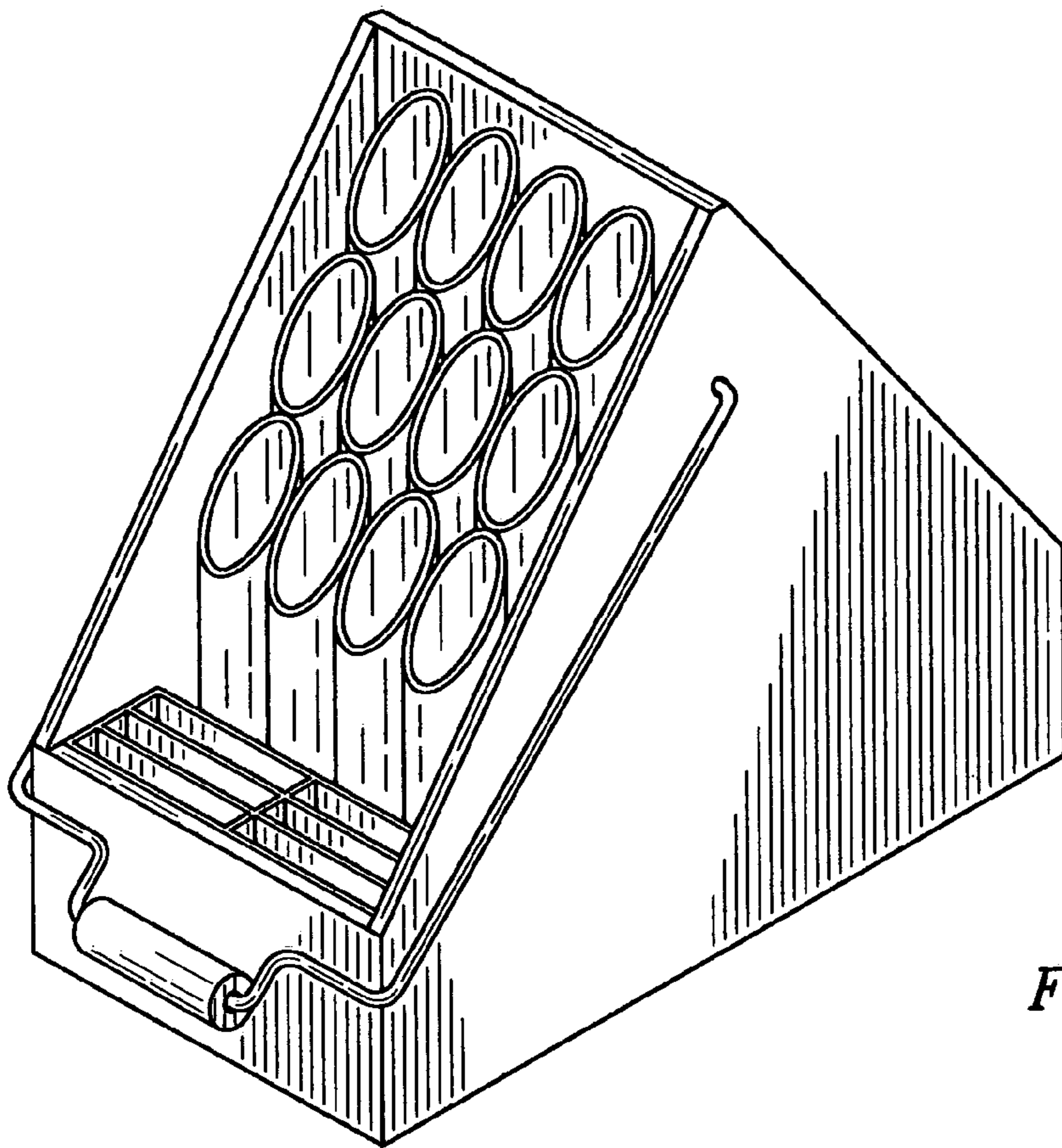


FIG. 1

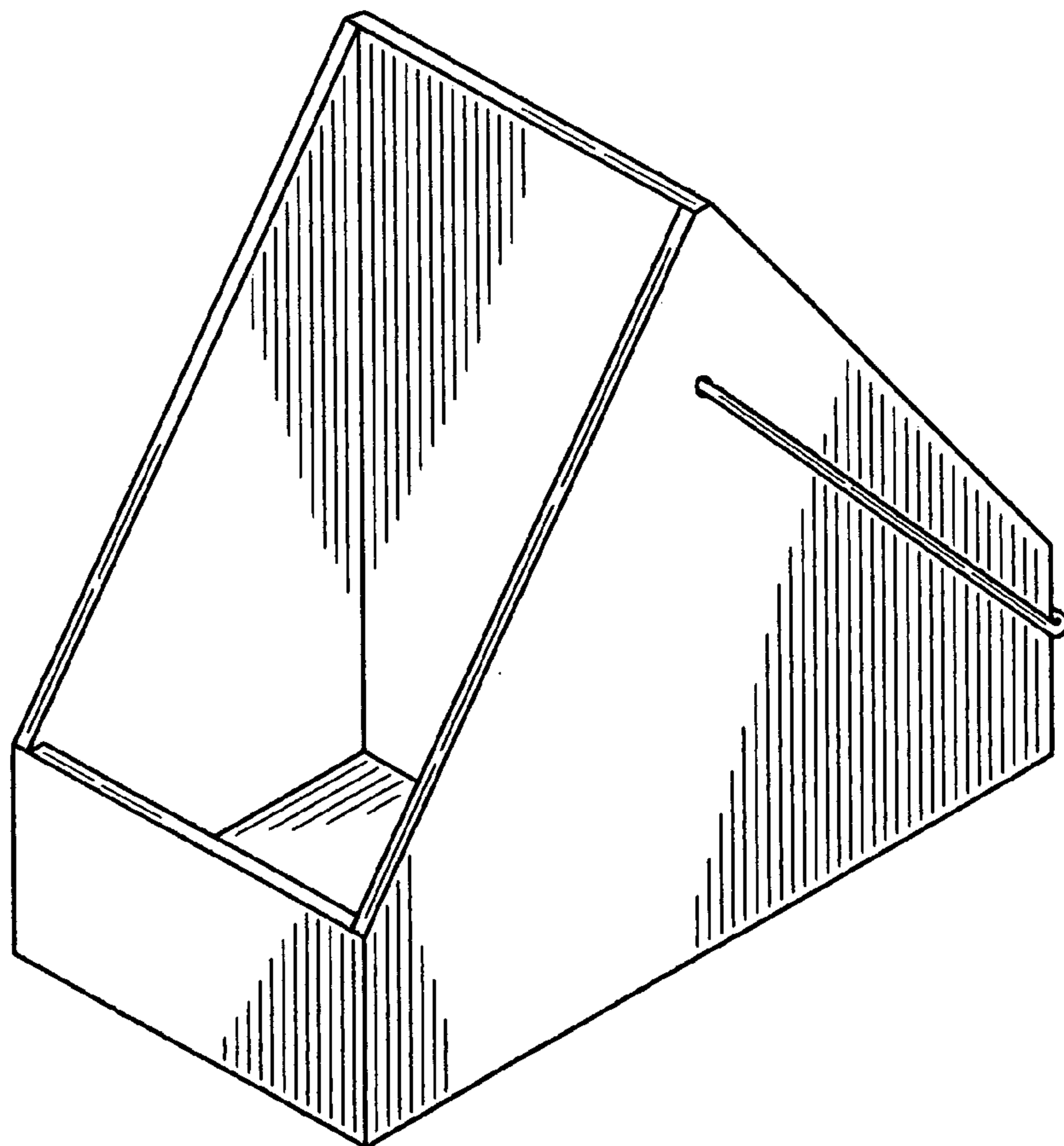


FIG. 2

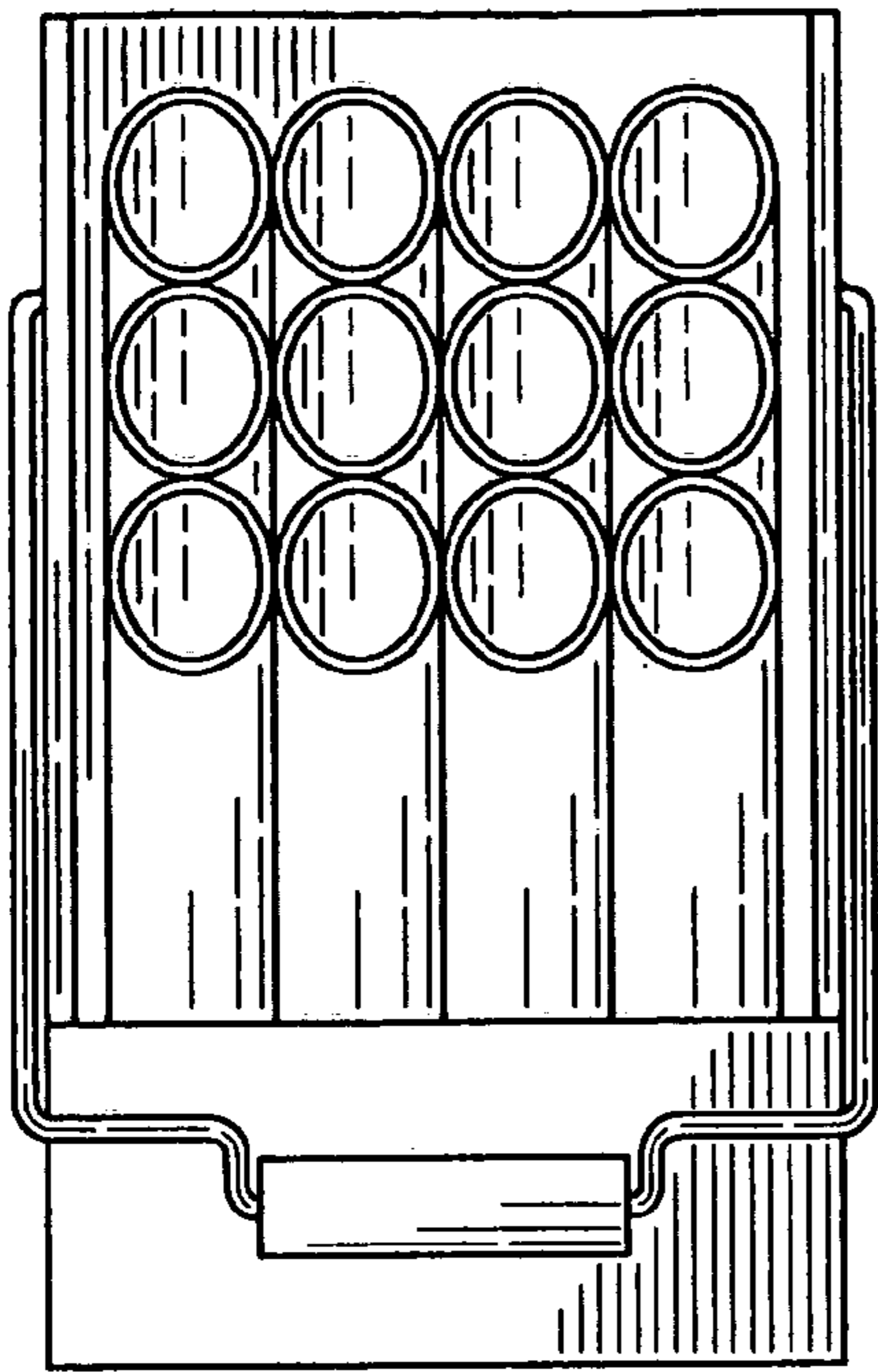


FIG. 3

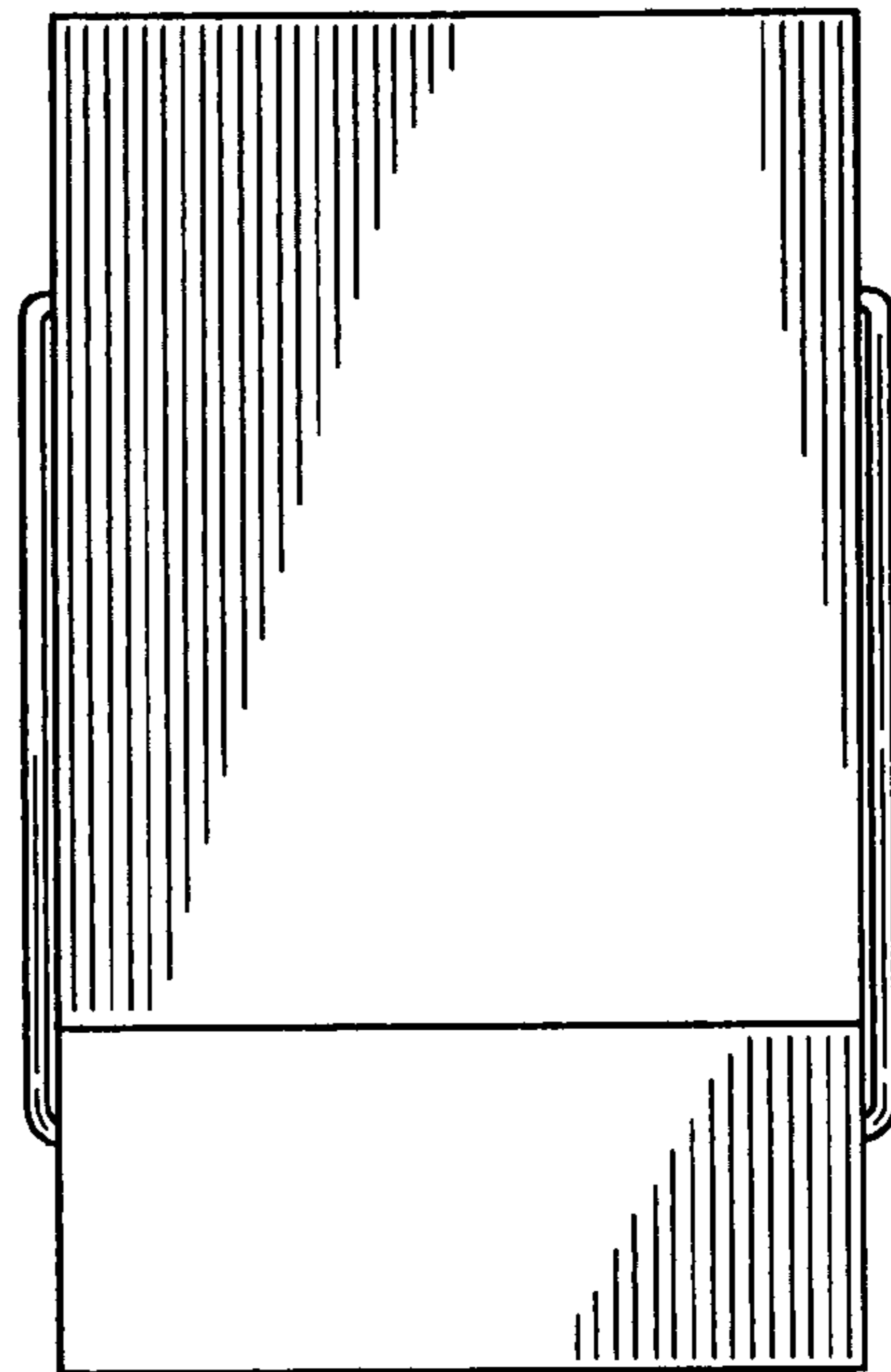


FIG. 4

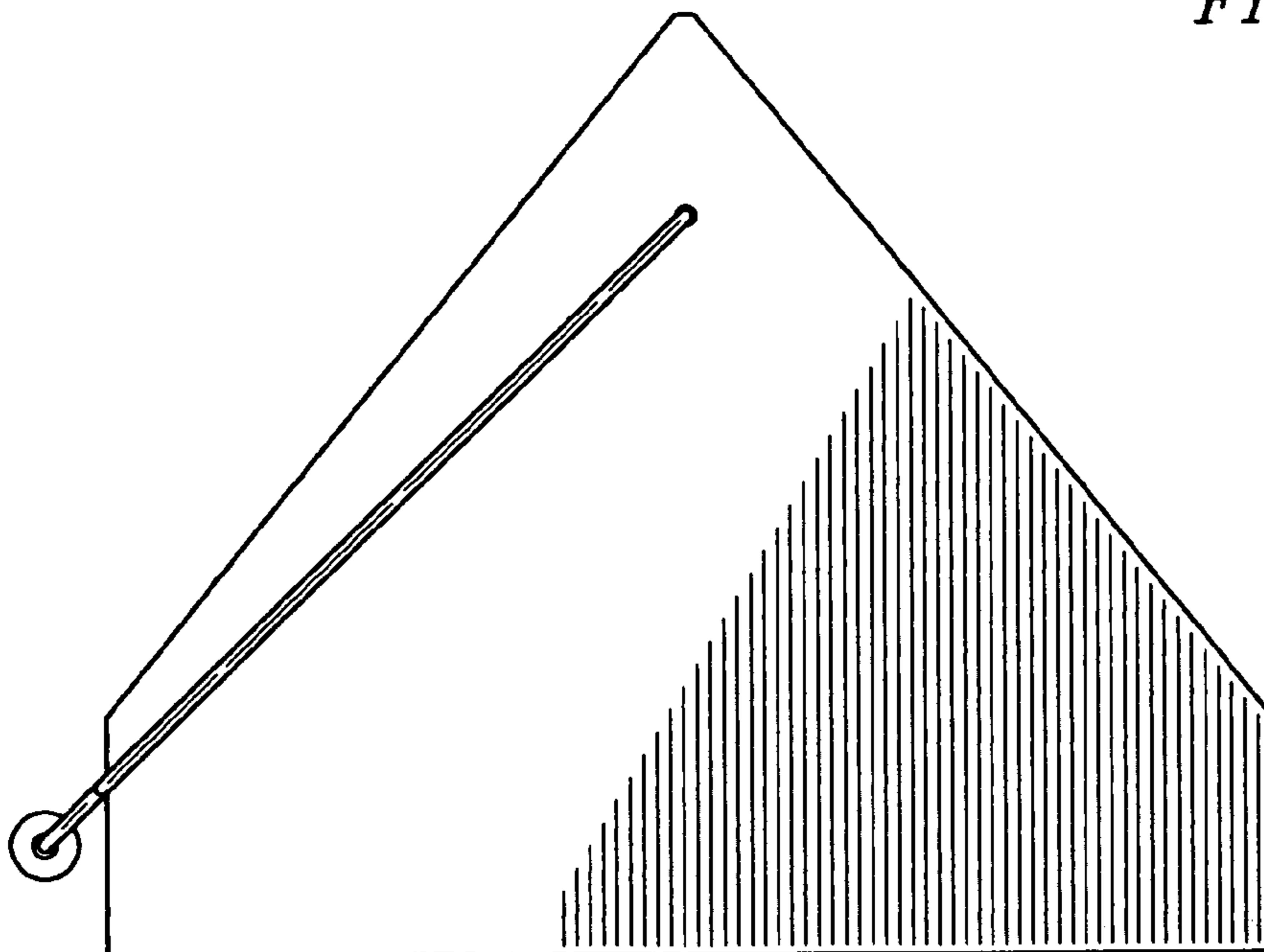


FIG. 5

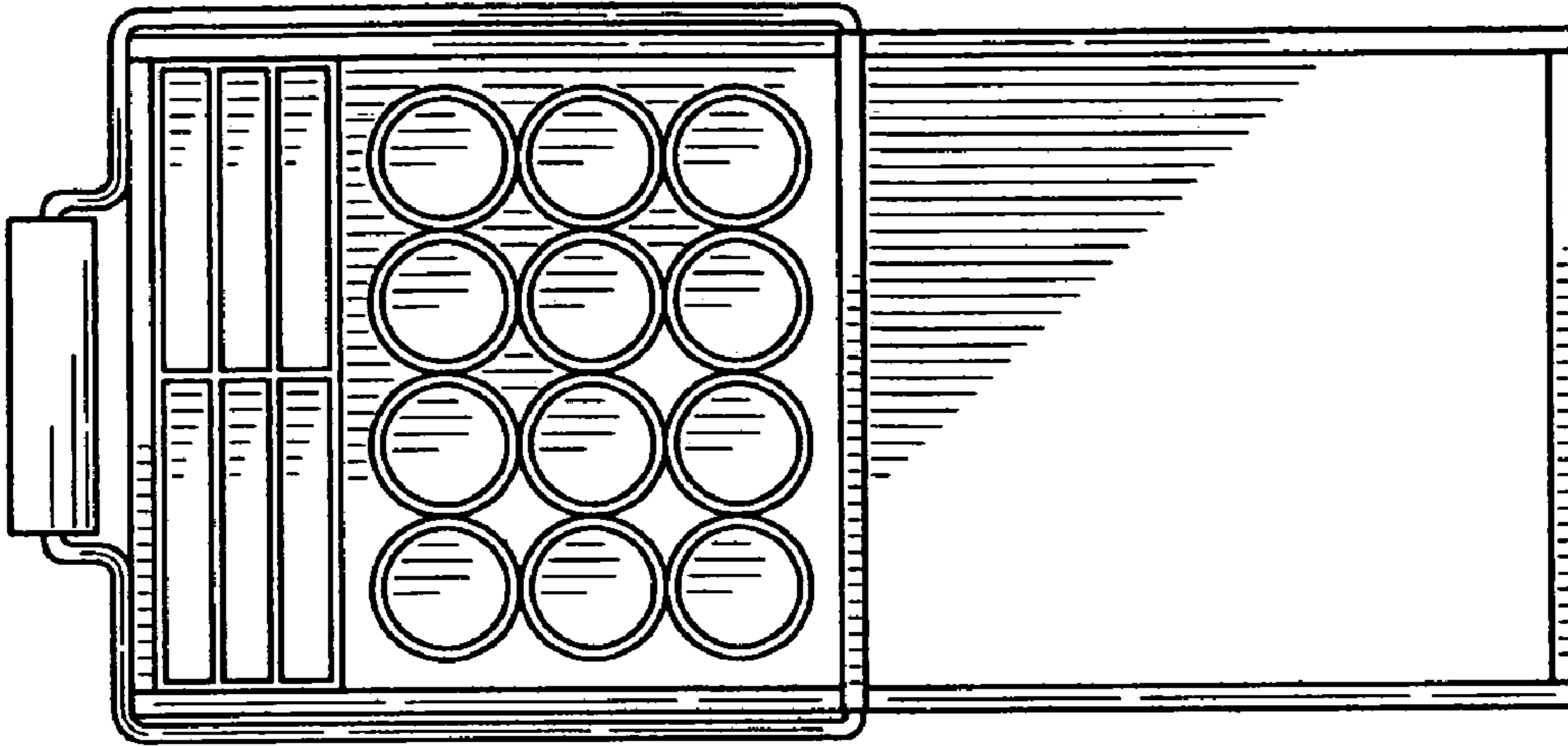


FIG. 6

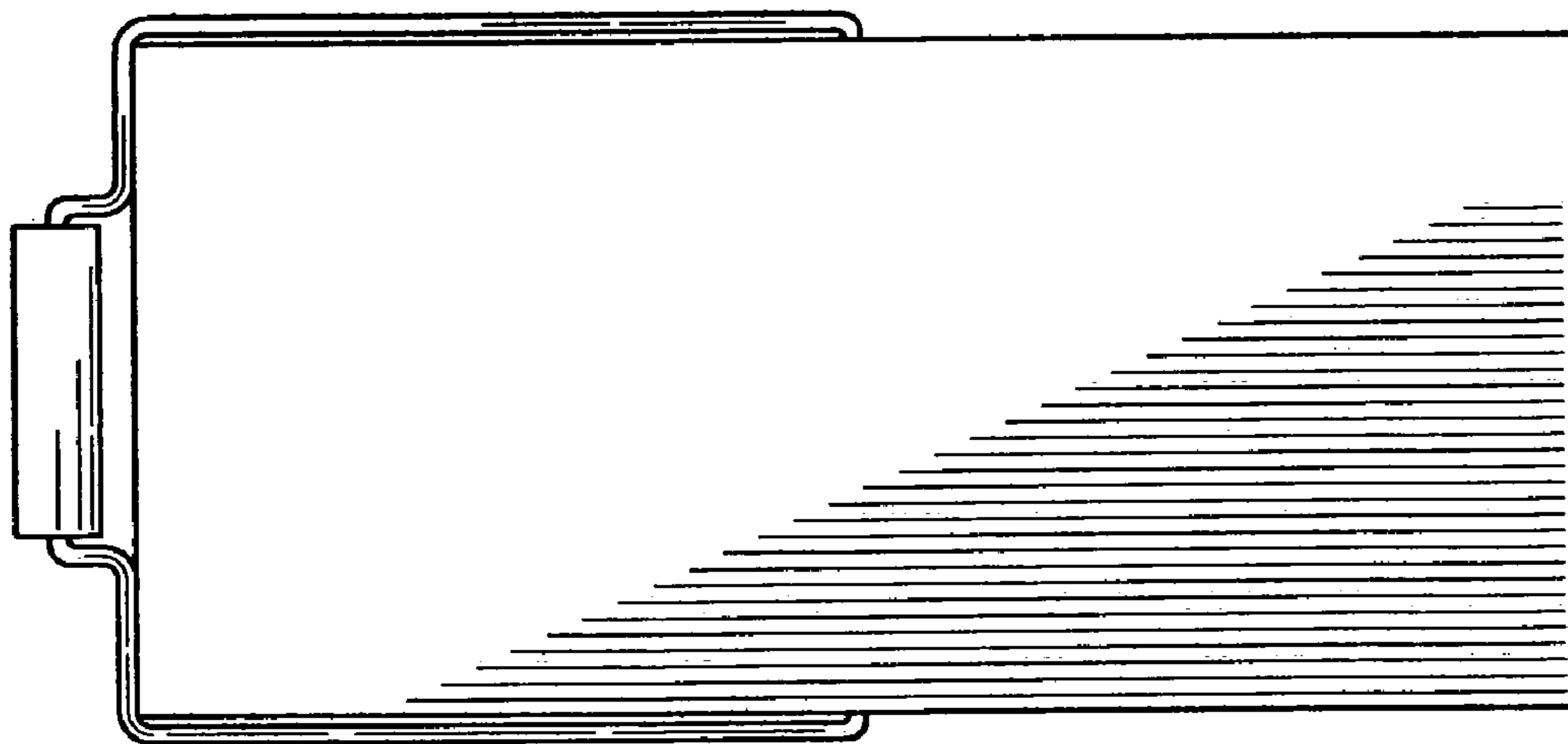


FIG. 7