



US00D562556S

(12) **United States Design Patent**
Liukko

(10) **Patent No.:** **US D562,556 S**
(45) **Date of Patent:** **** Feb. 26, 2008**

(54) **PORTION OF A PACKAGING CRATE**

(75) Inventor: **Aki Liukko**, Vaajakoski (FI)

(73) Assignee: **Valio Oy**, Jvaskyla (FI)

(**) Term: **14 Years**

(21) Appl. No.: **29/271,509**

(22) Filed: **Jan. 22, 2007**

Related U.S. Application Data

(62) Division of application No. 29/214,179, filed on Sep. 30, 2004, now Pat. No. Des. 540,541.

Foreign Application Priority Data

Apr. 2, 2004 (EM) 000164611

(51) **LOC (8) Cl.** **03-01**

(52) **U.S. Cl.** **D3/309**

(58) **Field of Classification Search** D3/304-315;
D6/491, 495, 510, 525; D7/510, 602-603,
D7/608, 709; D9/416, 418, 429-430, 602,
D9/608, 704, 738-739, 771; D22/136; D32/3,
D32/37, 53; 232/1 B; 217/18, 126; 220/659,
220/669, 676; 294/68.22; D34/7, 387

See application file for complete search history.

(56) **References Cited**

U.S. PATENT DOCUMENTS

- D85,570 S * 11/1931 Blood D6/495
- D202,776 S * 11/1965 Pearsall et al. D6/495
- D224,366 S 7/1972 Rehrig
- 3,682,351 A 8/1972 De Putter
- D260,568 S 9/1981 Cherry
- D261,069 S 9/1981 Munch et al.
- D270,804 S 10/1983 Caves

- D333,093 S 2/1993 Rehrig et al.
- D341,461 S 11/1993 Davidson et al.
- D381,363 S 7/1997 Jackson
- D400,012 S 10/1998 Apps
- D401,066 S 11/1998 Ackermann
- D412,399 S 8/1999 Apps et al.
- D439,049 S 3/2001 Koefeld
- D446,939 S 8/2001 Koefeld
- D468,634 S * 1/2003 Hammett D34/38
- D469,255 S 1/2003 Hammett
- D481,179 S 10/2003 Wendt et al.
- D483,946 S * 12/2003 Koefeld D3/304
- D505,014 S * 5/2005 Apps et al. D3/311
- D507,880 S * 8/2005 Hassell et al. D34/38
- D524,651 S 7/2006 Perret

* cited by examiner

Primary Examiner—Ian Simmons

Assistant Examiner—Eric L Goodman

(74) *Attorney, Agent, or Firm*—Buchanan Ingersoll & Rooney, PC

(57) **CLAIM**

The ornamental design for a portion of a packaging crate, as shown and described.

DESCRIPTION

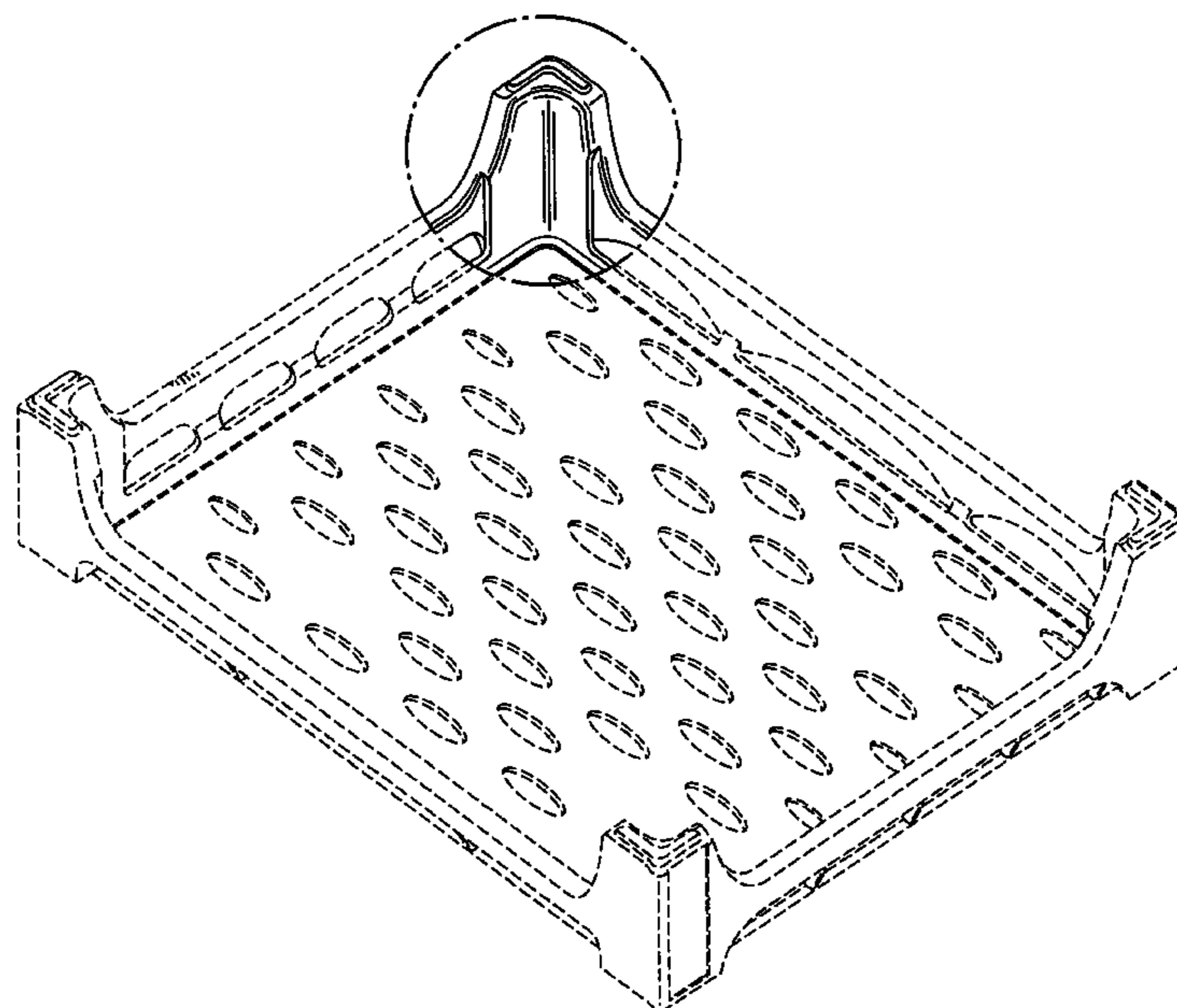
FIG. 1 is a perspective view of a portion of a packaging crate showing my new design.

FIG. 2 is an enlarged front perspective view along the encircled portion shown in FIG. 1.

FIG. 3 is an enlarged right perspective view of FIG. 2; and, FIG. 4 is an enlarged left perspective view of FIG. 2.

The broken line showing in the figures is for illustration purposes only and forms no part of the claimed design.

1 Claim, 2 Drawing Sheets



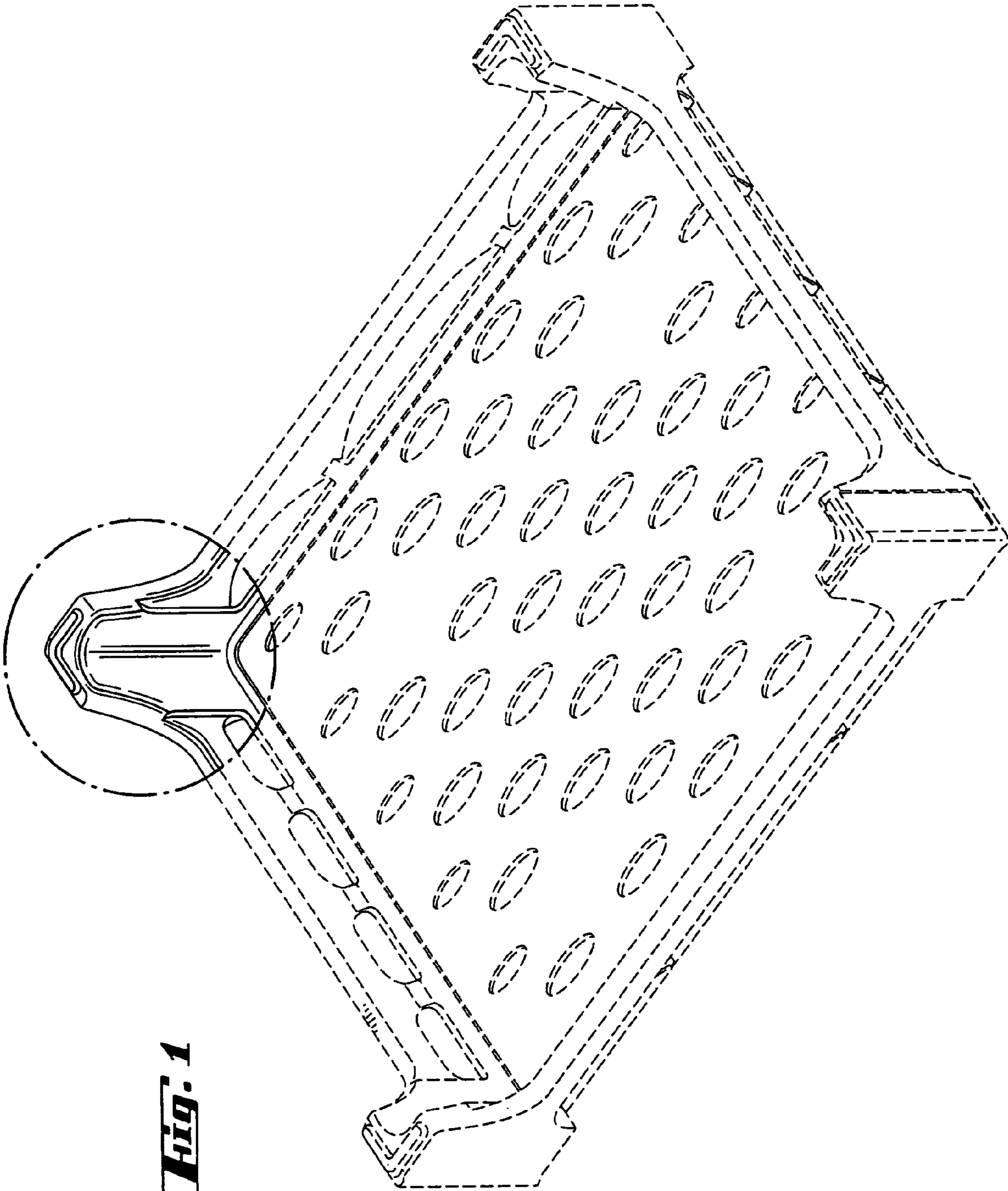


FIG. 1

Fig. 3

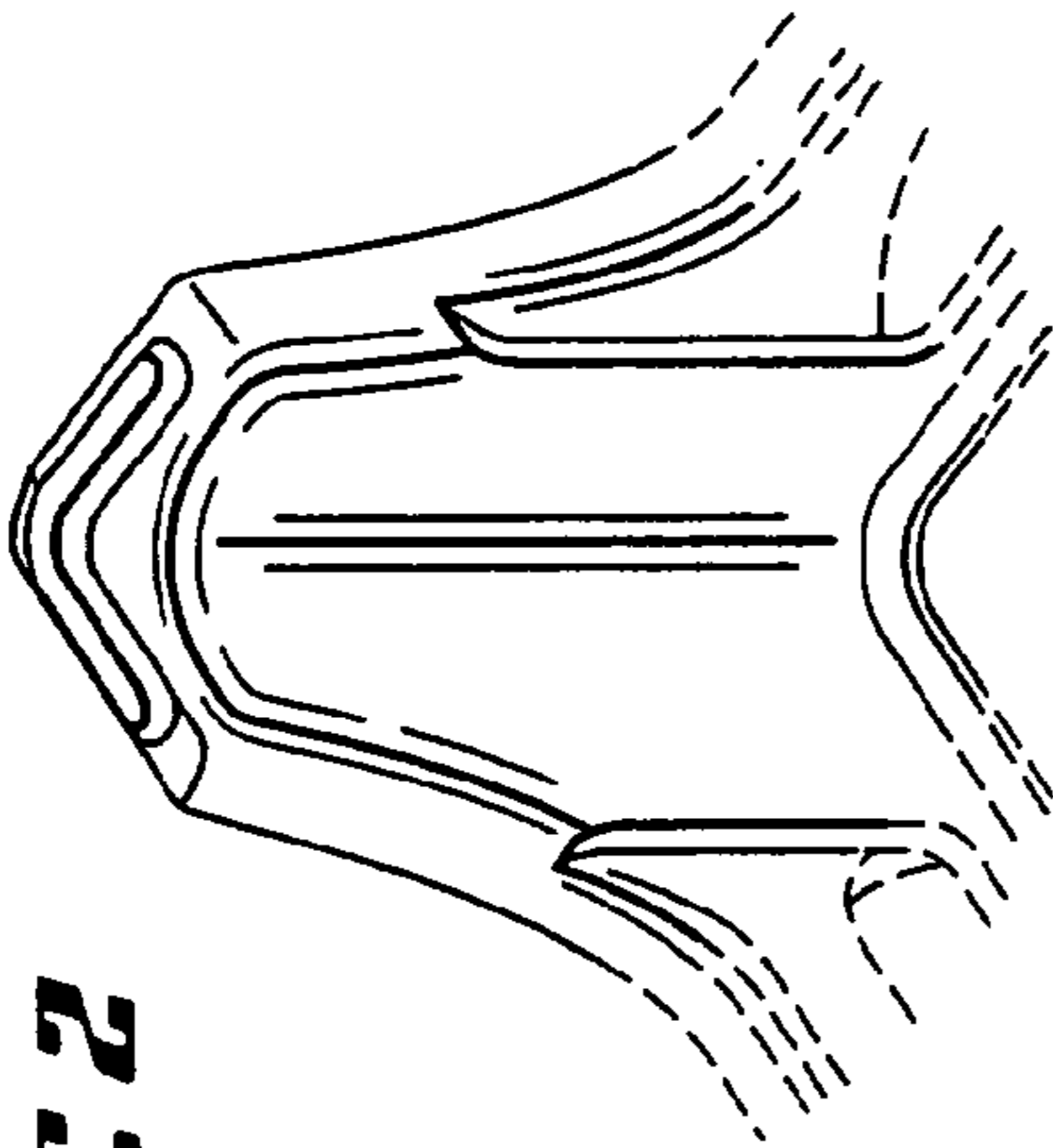
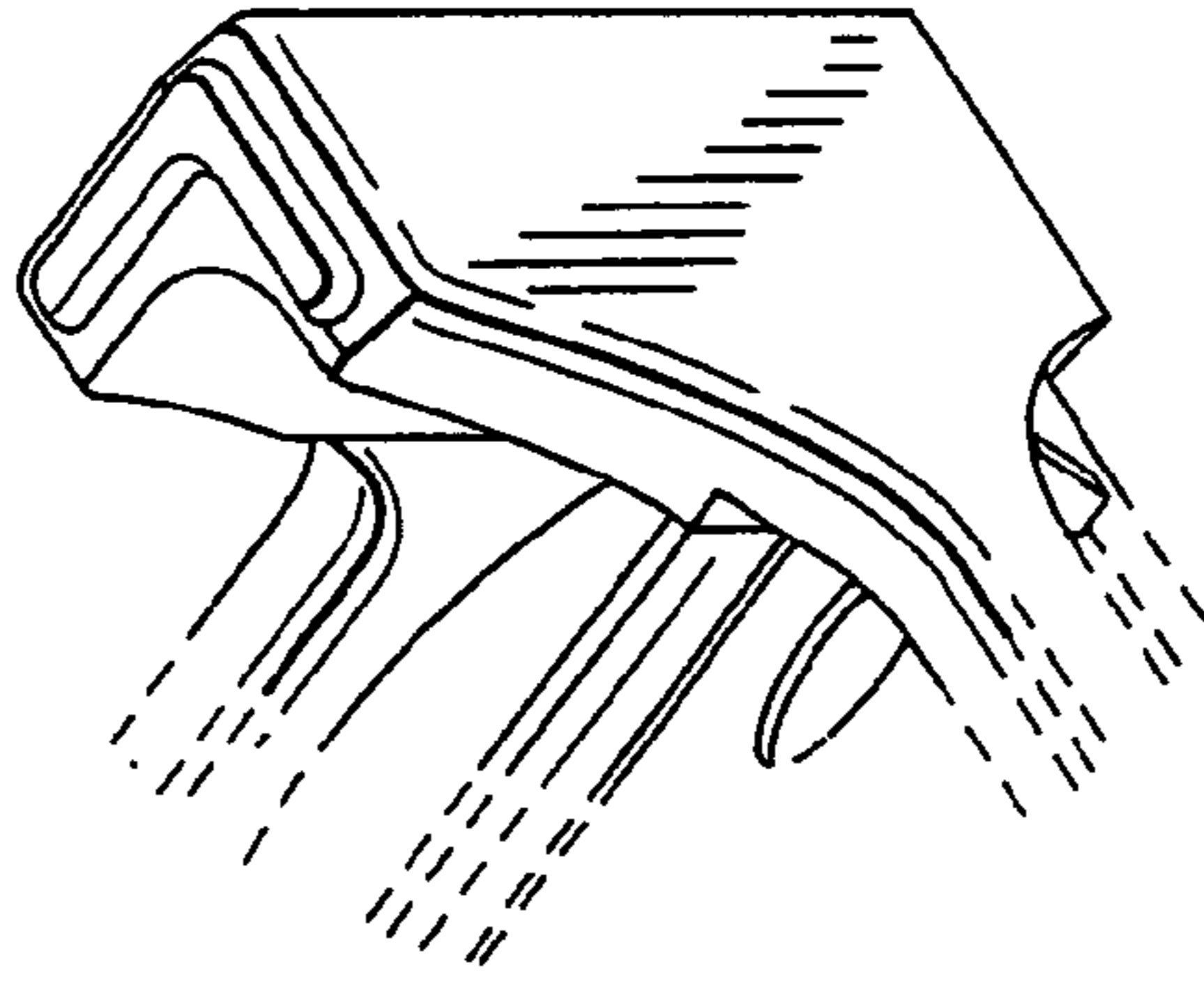


Fig. 2

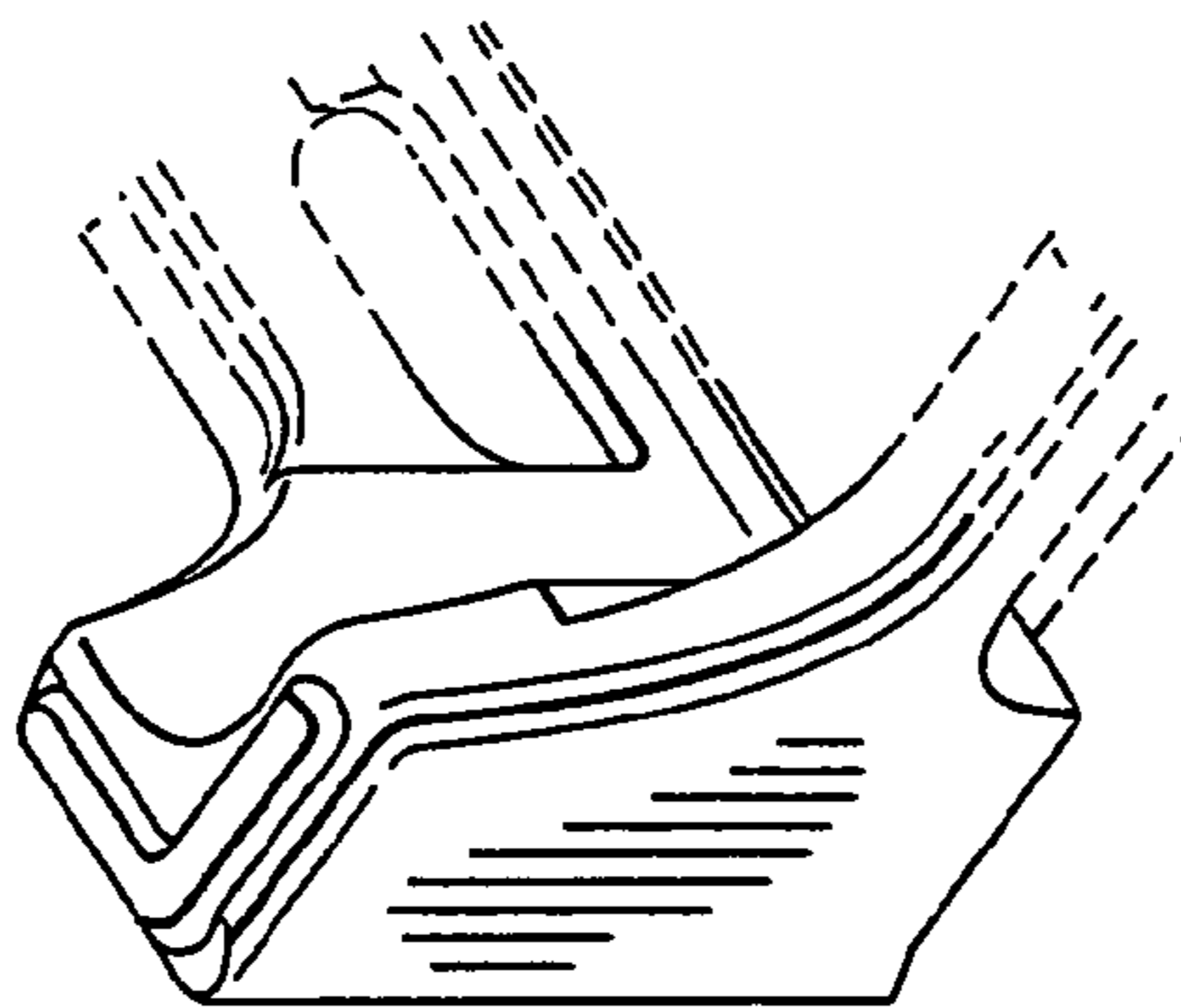


Fig. 4