

US00D562555S

(12) **United States Design Patent**
Shapiro et al.

(10) **Patent No.:** **US D562,555 S**

(45) **Date of Patent:** **** Feb. 26, 2008**

- (54) **EXPANDABLE FILE FOLDER**
- (75) Inventors: **David Shapiro**, Chicago, IL (US); **John Haran**, Lake Forest, IL (US)
- (73) Assignee: **It's Academic of Illinois, Inc.**, Northbrook, IL (US)

D472,707 S *	4/2003	Ong	D3/290
D477,842 S *	7/2003	Morris	D19/26
D481,074 S *	10/2003	Shapiro et al.	D19/90
D487,191 S *	3/2004	Ong	D3/290
D529,717 S *	10/2006	Brancky	D3/285
2006/0011436 A1 *	1/2006	Orman	190/100
2006/0283743 A1 *	12/2006	Tatreau	206/425

- (**) **Term:** **14 Years**
- (21) **Appl. No.:** **29/237,967**
- (22) **Filed:** **Sep. 8, 2005**

- (51) **LOC (8) Cl.** **03-01**
- (52) **U.S. Cl.** **D3/303; D3/900**
- (58) **Field of Classification Search** D3/273, D3/276, 283-284, 290, 303, 900, 902; 190/100, 190/109; 206/425; D19/86, 90
See application file for complete search history.

(56) **References Cited**
U.S. PATENT DOCUMENTS

1,090,553 A *	3/1914	Mashek	190/109
1,571,475 A *	2/1926	Guenther	383/10
1,768,496 A *	6/1930	Trager	190/119
1,889,765 A *	12/1932	Switkes	190/110
D304,783 S *	11/1989	Forman	D3/285
D405,266 S *	2/1999	Chisholm	D3/303
D405,832 S *	2/1999	Bolden	D19/90
D423,215 S *	4/2000	Furlanetto	D3/303
D449,166 S *	10/2001	Shapiro	D3/303
D456,135 S *	4/2002	Shapiro	D3/303
D459,887 S *	7/2002	Johnson	D3/303
D465,331 S *	11/2002	Shapiro	D3/303
D465,651 S *	11/2002	Platte, III	D3/303
D469,254 S *	1/2003	Johnson	D3/303
D471,014 S *	3/2003	Shapiro	D3/303

OTHER PUBLICATIONS

Portfolio for Office, China Wholesale Center. Downloaded Mar. 30, 2007 at Sz-wholesale.com/p/Portfolio/Portfolio-for-office-15902.html.*

* cited by examiner

Primary Examiner—Philip S. Hyder
Assistant Examiner—R. L. (Ulm) Cody
 (74) *Attorney, Agent, or Firm*—Wood, Phillips, Katz, Clark & Mortimer

(57) **CLAIM**

The ornamental design for an expandable file folder, substantially as shown and described.

DESCRIPTION

FIG. 1 is a perspective view an expandable file folder showing our new design;
 FIG. 2 is a front elevation view thereof, the rear elevational view being identical thereto;
 FIG. 3 is a right side elevational view thereof;
 FIG. 4 is a left side elevational view thereof;
 FIG. 5 is a top plan view thereof; and,
 FIG. 6 is a bottom plan view thereof.

1 Claim, 4 Drawing Sheets

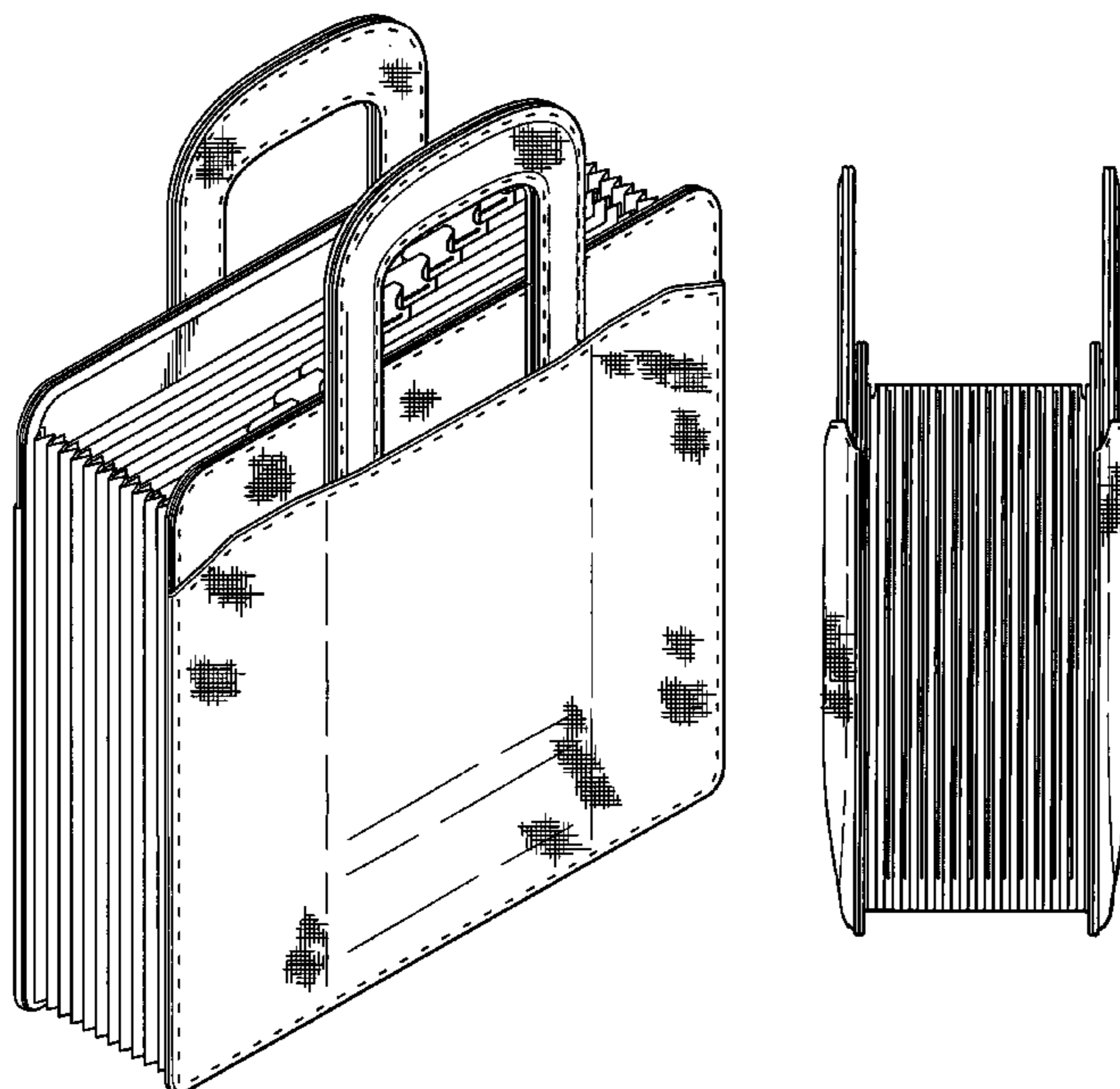


Fig. 1

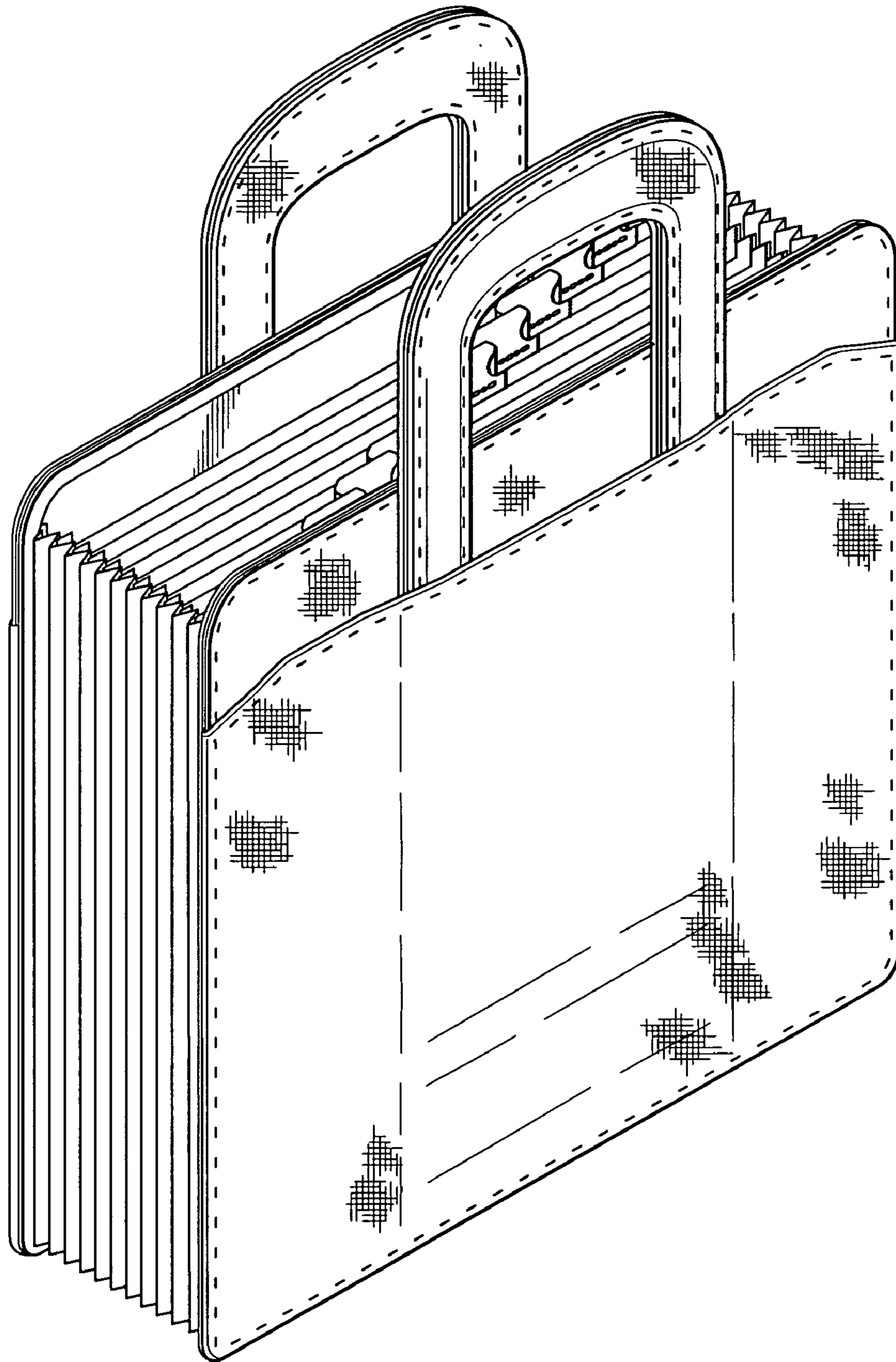


Fig. 2

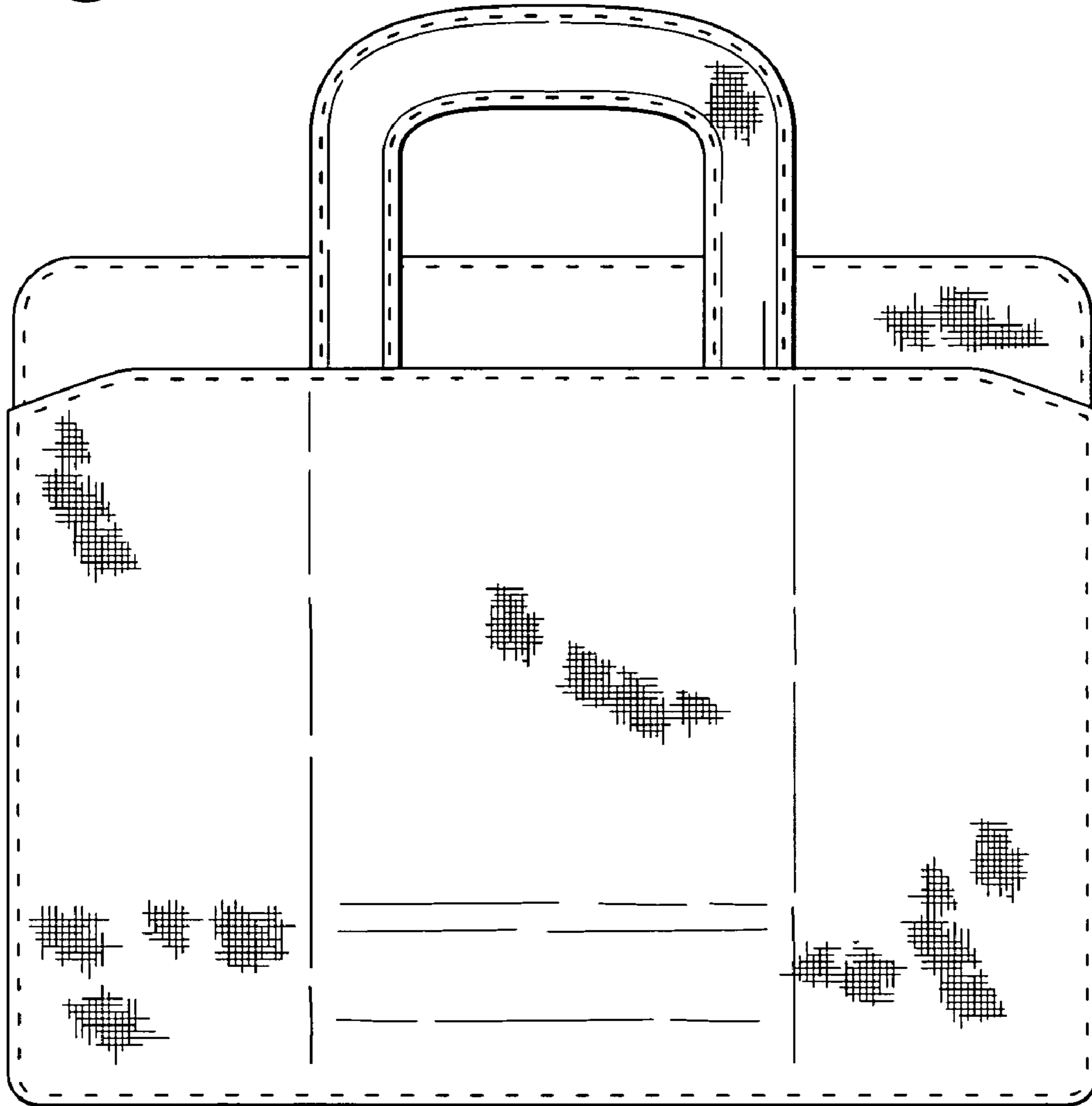


Fig. 3

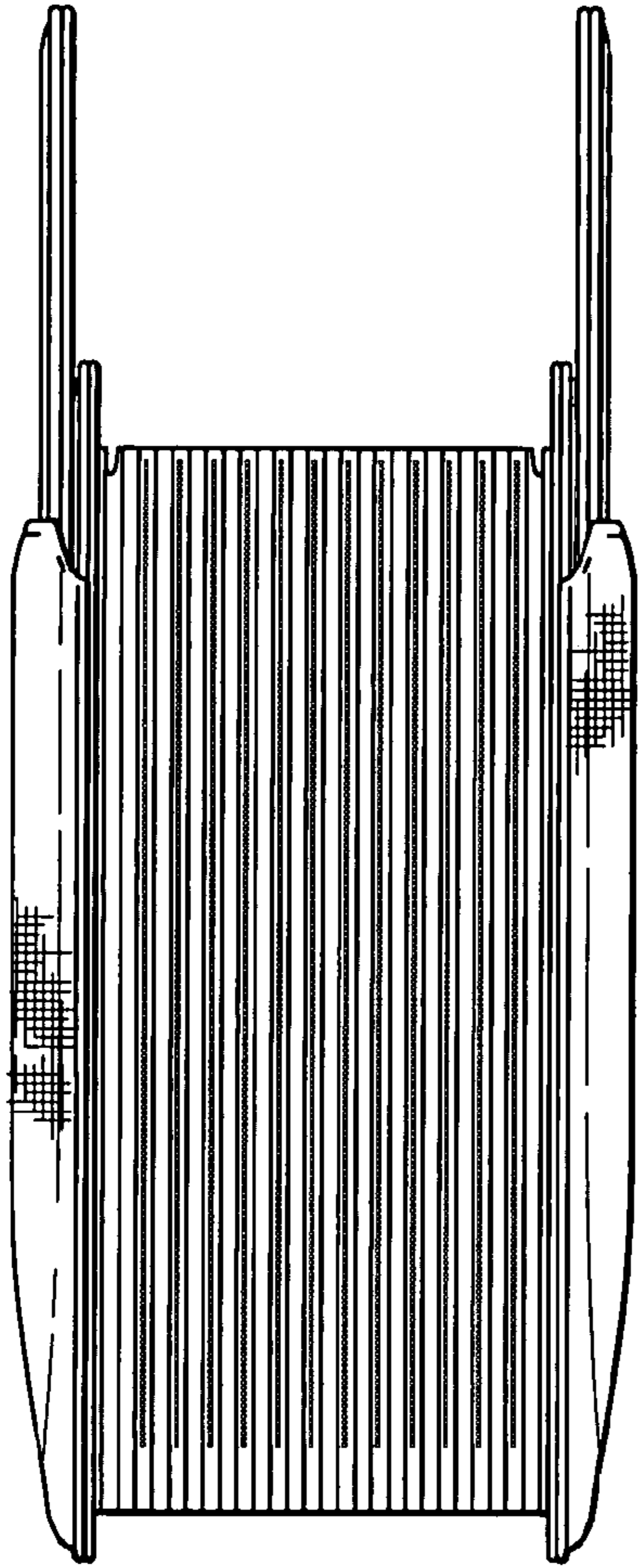


Fig. 4

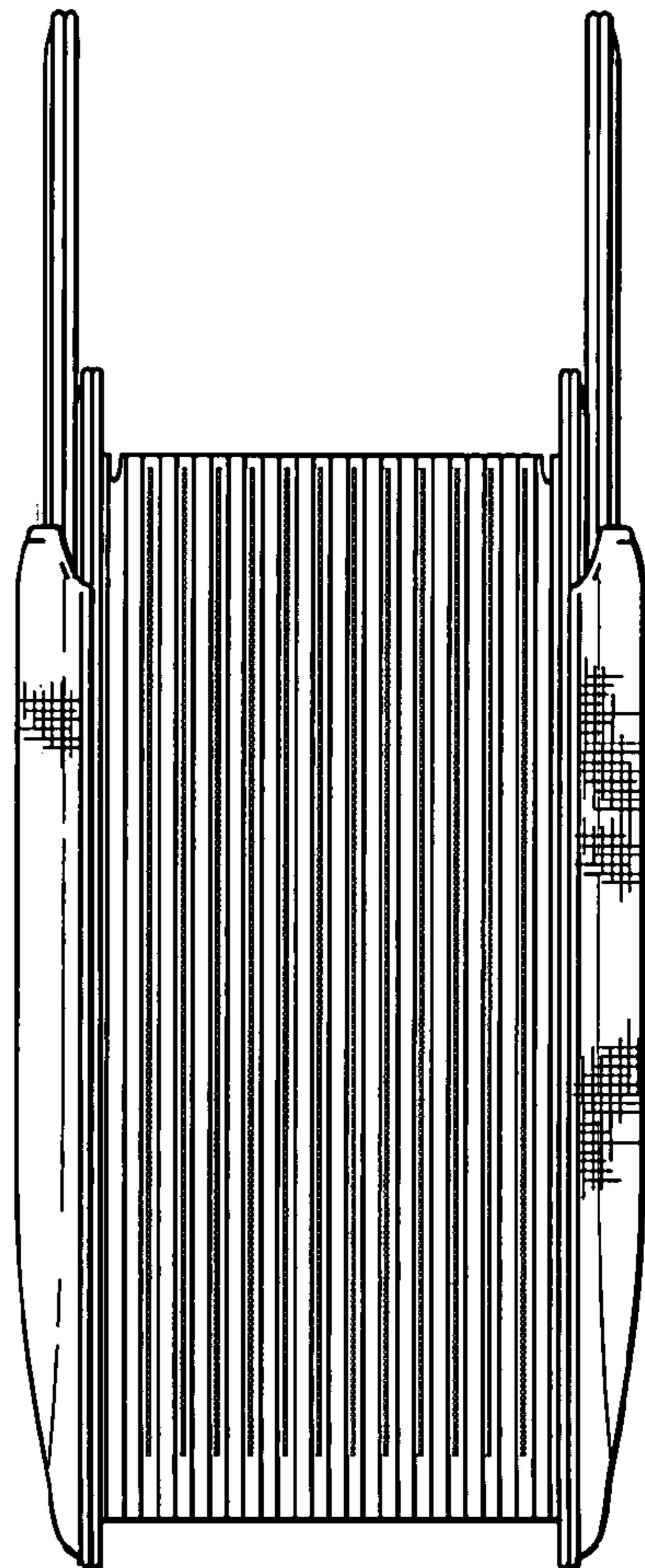


Fig. 5

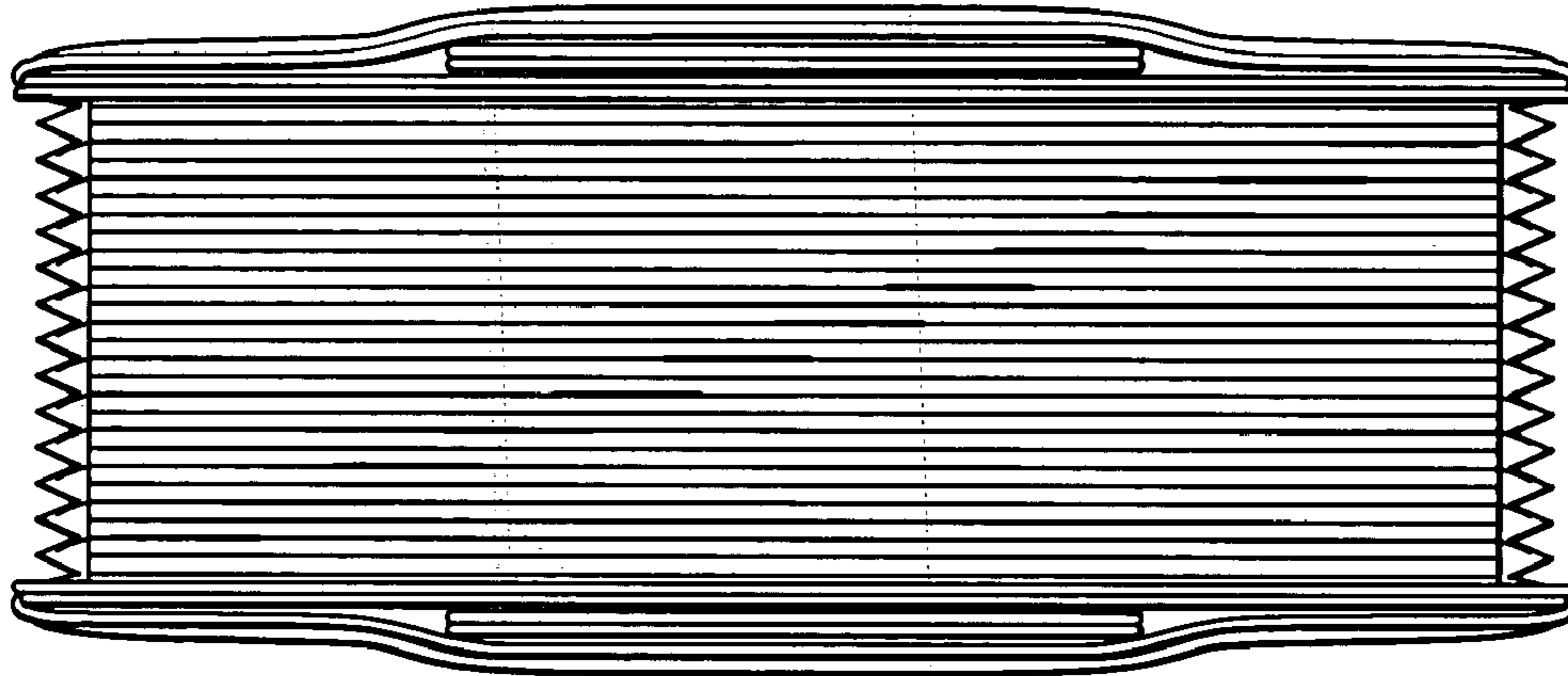


Fig. 6

