

US00D562553S

(12) **United States Design Patent**
Kung

(10) **Patent No.:** **US D562,553 S**

(45) **Date of Patent:** **** Feb. 26, 2008**

(54) **OPTICAL APPARATUS CONTAINER**

(75) Inventor: **Su-Min Kung**, Taipei Hsien (TW)

(73) Assignee: **Hunter Optical Co., Ltd.**, Taipei Hsien (TW)

(**) Term: **14 Years**

(21) Appl. No.: **29/229,839**

(22) Filed: **May 13, 2005**

(30) **Foreign Application Priority Data**

Jan. 11, 2005 (TW) 94300156

(51) **LOC (8) Cl.** **03-01**

(52) **U.S. Cl.** **D3/263; D3/282**

(58) **Field of Classification Search** D3/11,
D3/205, 210, 219, 225, 227-228, 230, 247,
D3/252, 263, 265-268, 276, 281-282, 294,
D3/303-304, 313, 901, 903, 905; 206/6;
224/915; D9/414, 420, 422-424, 426; 211/85.1
See application file for complete search history.

(56) **References Cited**

U.S. PATENT DOCUMENTS

D336,719 S *	6/1993	Newby, Sr.	D3/268
D370,557 S *	6/1996	Ferris et al.	D3/205
D390,357 S *	2/1998	Rosen	D3/282
D428,699 S *	8/2000	Gibson et al.	D3/282
D461,636 S *	8/2002	Savage et al.	D3/282
D474,599 S *	5/2003	Shamoon	D3/282
D486,634 S *	2/2004	Fonfeder	D3/206

D500,595 S *	1/2005	Kavovit	D3/282
D505,543 S *	5/2005	Miller	D3/203.6
D507,877 S *	8/2005	Lin	D3/282
D514,316 S *	2/2006	Allan et al.	D3/282
D537,631 S *	3/2007	Kung	D3/276

* cited by examiner

Primary Examiner—Ian Simmons

Assistant Examiner—Anna J Burmeister

(74) *Attorney, Agent, or Firm*—Ming Chow; Sinorica, LLC

(57) **CLAIM**

The ornamental design for an optical apparatus container, as shown and described.

DESCRIPTION

FIG. 1 is a top, front, left side perspective view of an optical apparatus container, showing my new design;

FIG. 2 is a front elevational view thereof;

FIG. 3 is a back elevational view thereof;

FIG. 4 is a left side elevational view thereof;

FIG. 5 is a right side elevational view thereof;

FIG. 6 is a top plan view thereof;

FIG. 7 is a bottom plan view thereof; and,

FIG. 8 is a front elevational view thereof, shown in open condition with unclaimed optical apparatus is shown in use.

The broken lines shown in the drawings are for illustrative purposes only and form no part of the claimed design.

1 Claim, 7 Drawing Sheets

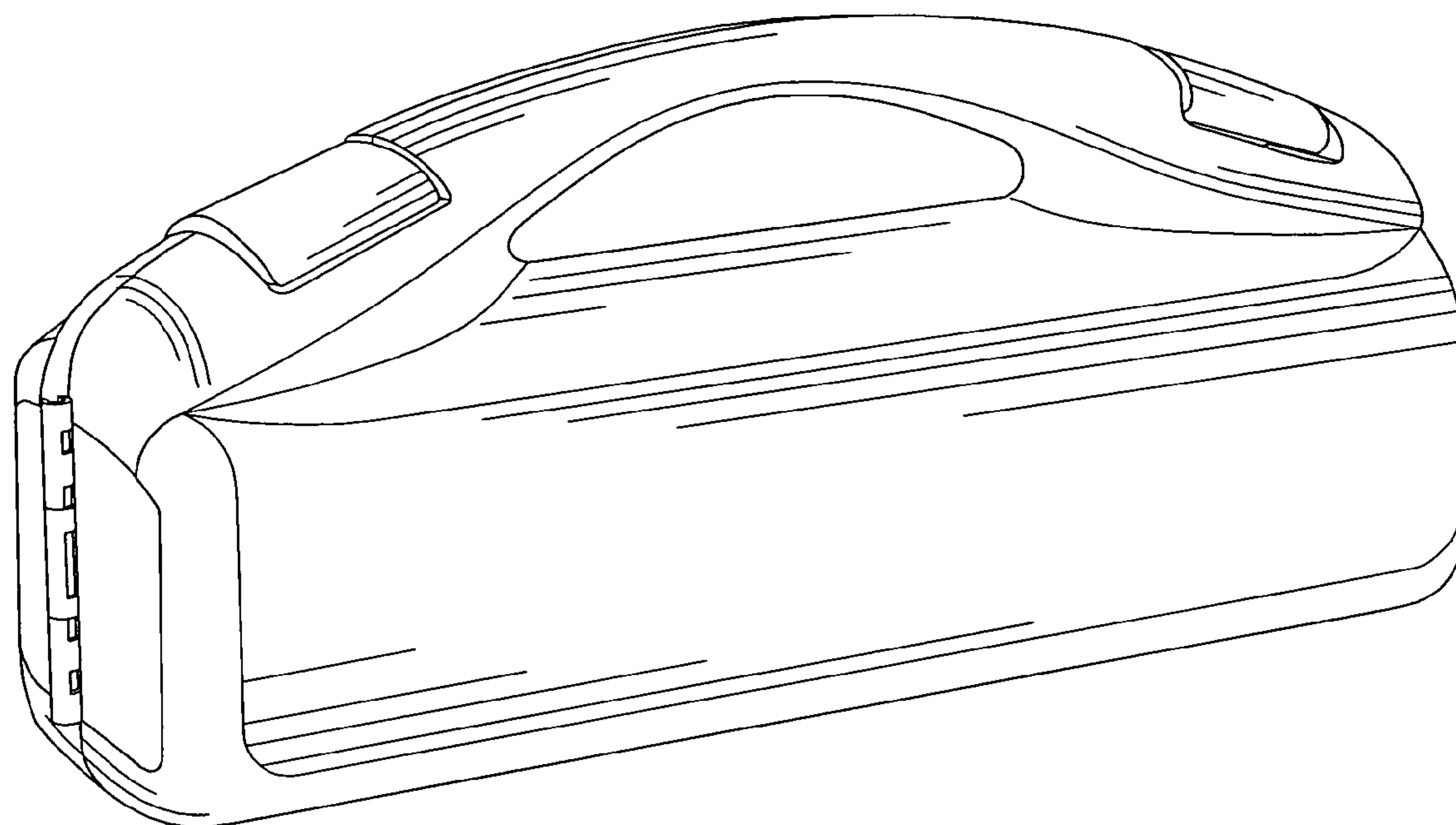




FIG. 1

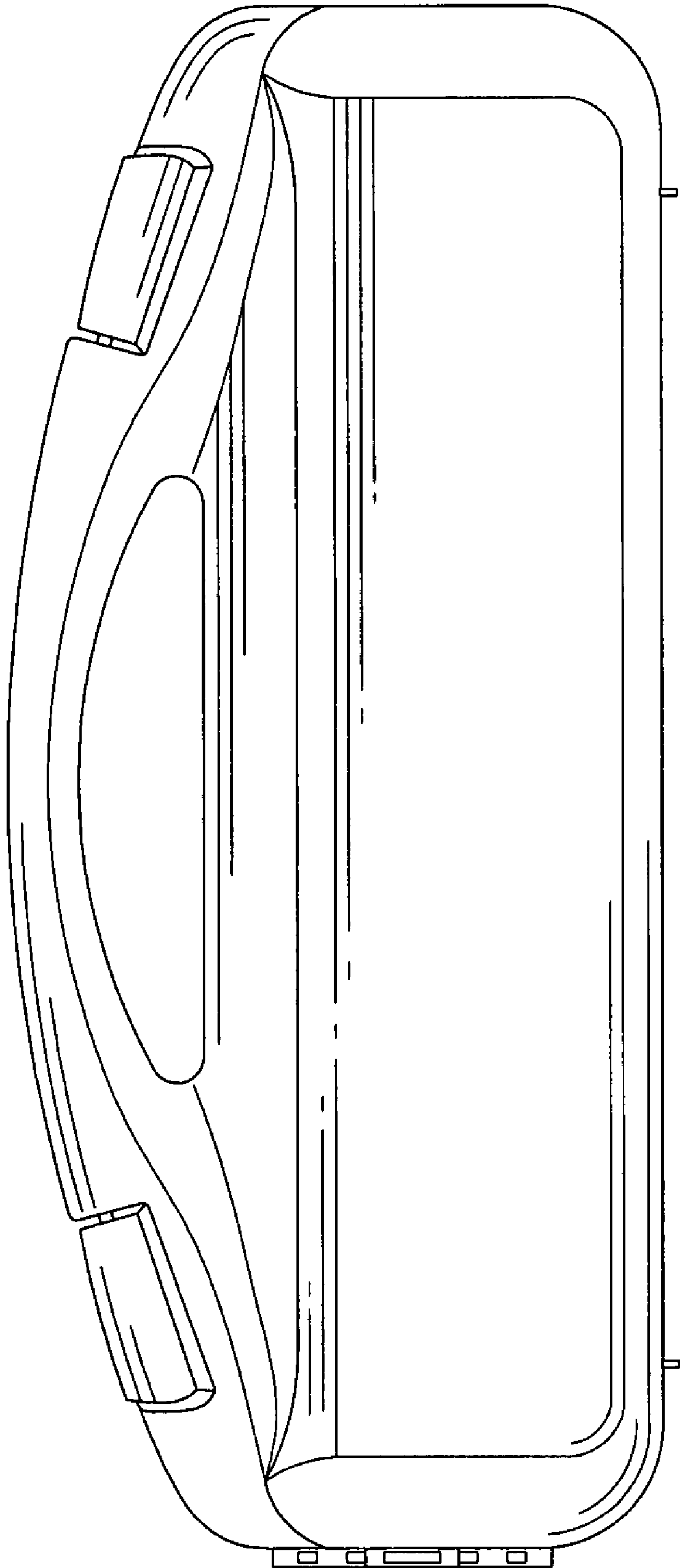


FIG. 2

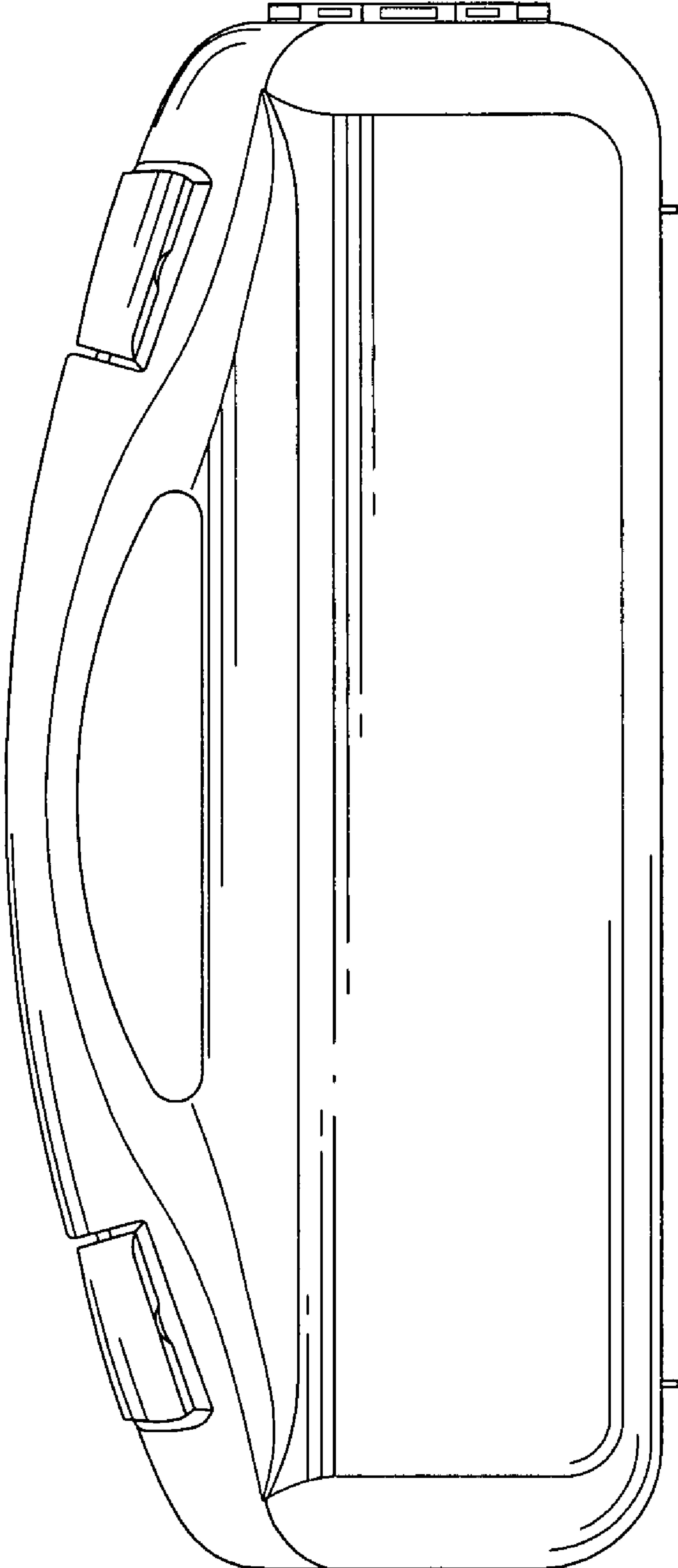


FIG. 3

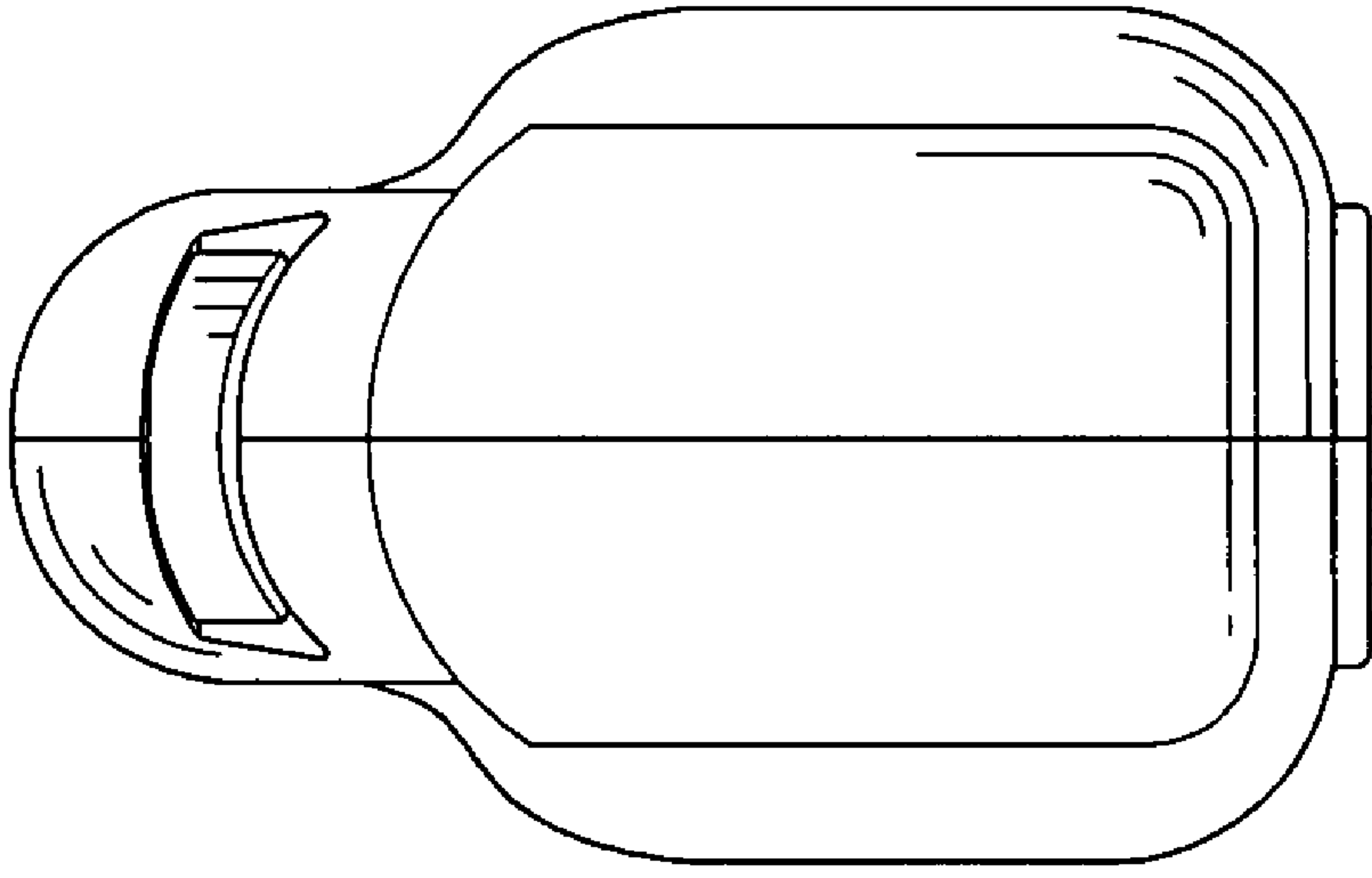


FIG. 5

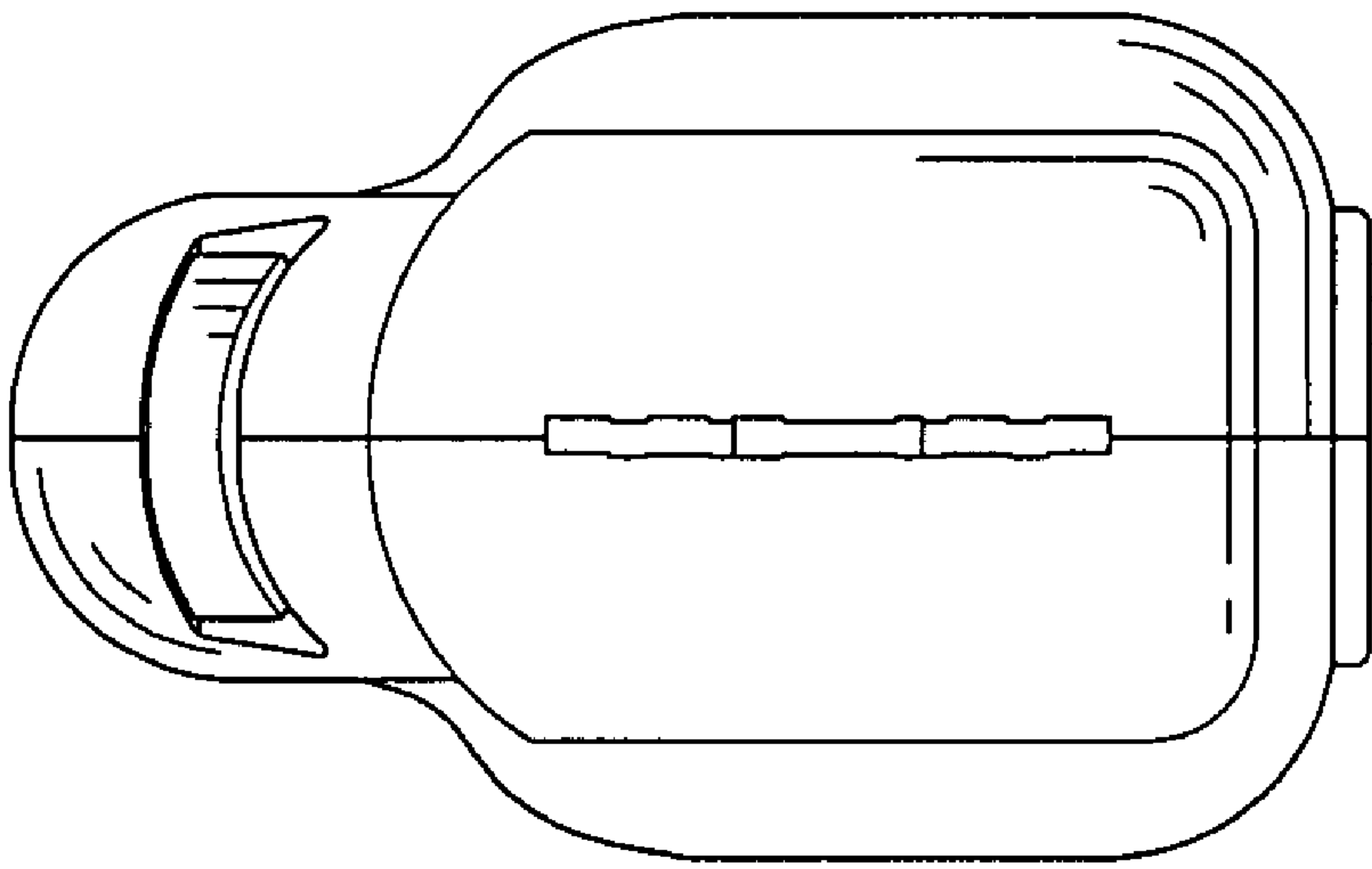


FIG. 4

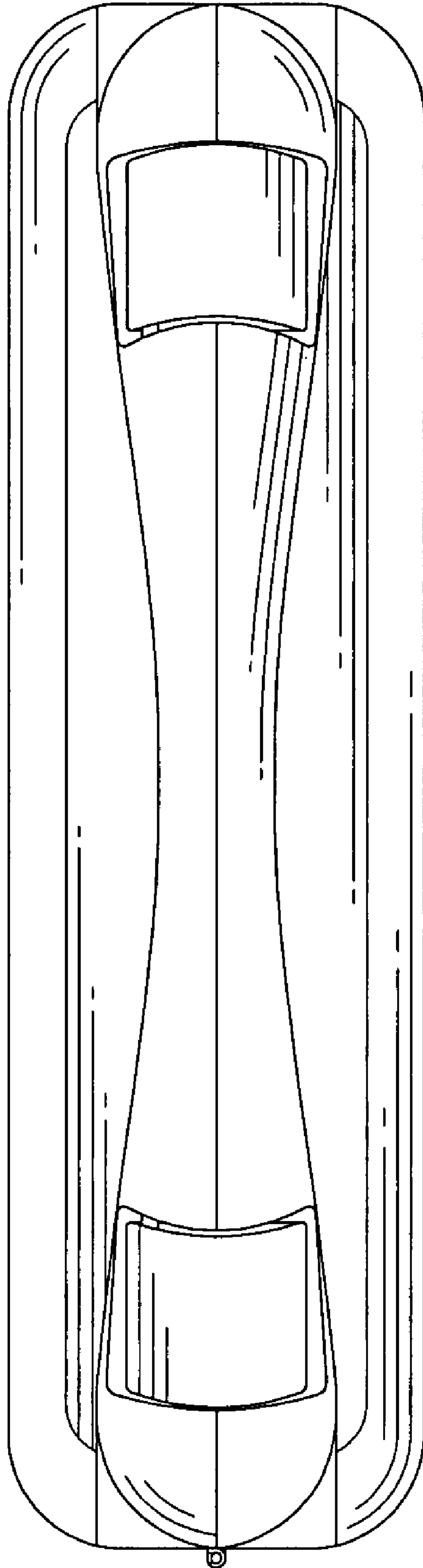


FIG. 6

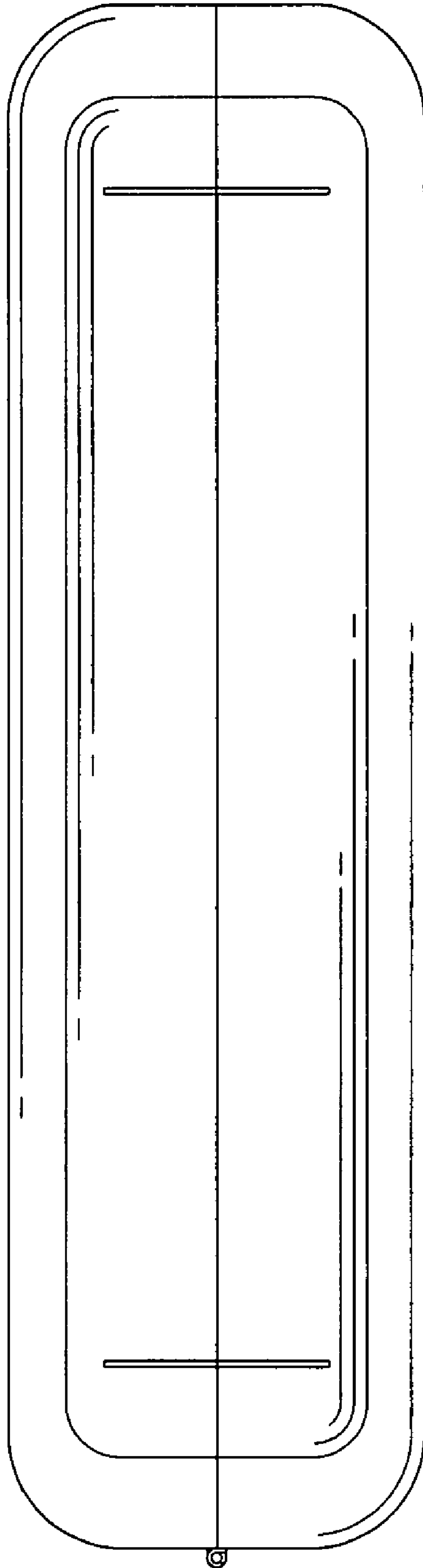


FIG. 7

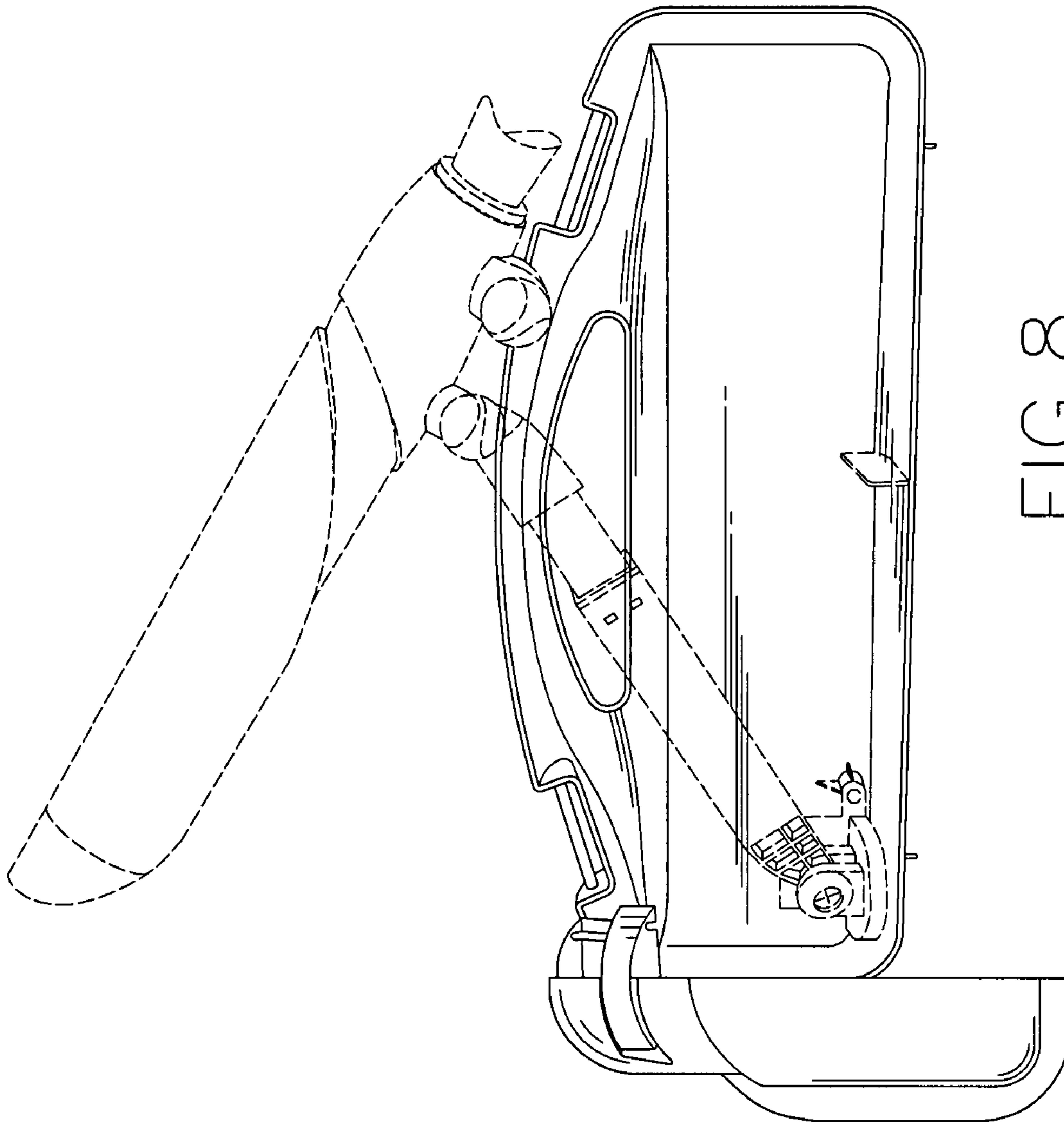


FIG. 8