

US00D562548S

(12) **United States Design Patent**
Martin

(10) **Patent No.:** **US D562,548 S**

(45) **Date of Patent:** **** Feb. 26, 2008**

(54) **APPARATUS FOR MOUNTING A
FLASHLIGHT ONTO AN OBJECT**

Primary Examiner—Catherine R. Oliver

(74) *Attorney, Agent, or Firm*—Christopher L. Makay

(75) **Inventor:** **Richard W. Martin**, San Antonio, TX
(US)

(57) **CLAIM**

The ornamental design for an apparatus for mounting a flashlight onto an object, as shown and described.

(73) **Assignee:** **Lightstick Partners, LLC**, San Antonio, TX (US)

(**) **Term:** **14 Years**

DESCRIPTION

(21) **Appl. No.:** **29/286,492**

(22) **Filed:** **May 8, 2007**

(51) **LOC (8) Cl.** **03-01**

(52) **U.S. Cl.** **D3/215**

(58) **Field of Classification Search** D3/215,
D3/228, 229, 224, 226, 221; 224/219, 222,
224/267, 269, 251, 245, 665, 911, 901.8;
2/170–171; D26/38–39

See application file for complete search history.

FIG. 1 is a perspective view of the apparatus for mounting a flashlight onto an object according to my new design;

FIG. 2 is a top view thereof;

FIG. 3 is a right side view thereof;

FIG. 4 is a front view thereof;

FIG. 5 is a left side view thereof.

FIG. 6 is a bottom view thereof;

FIG. 7 is a rear view thereof;

FIG. 8 is a perspective view showing the apparatus for mounting a flashlight onto an object secured to a rifle; and,

FIG. 9 is a perspective view showing the apparatus for mounting a flashlight onto an object secured to an arm.

The broken line showing of environment in the drawings is included for the purpose of illustrating only and forms no part of the claimed design.

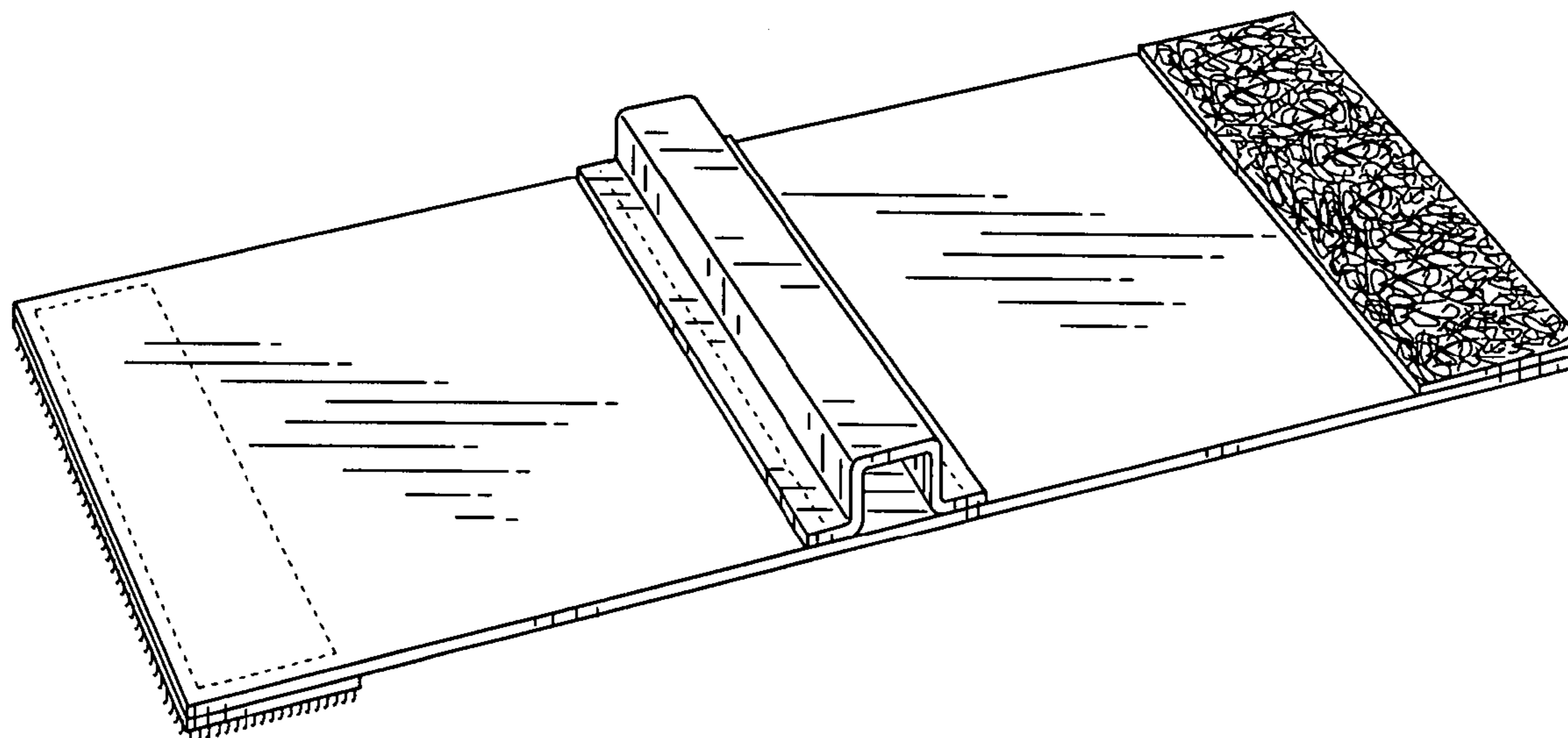
(56) **References Cited**

U.S. PATENT DOCUMENTS

4,508,249	A *	4/1985	Kotchy	224/219
D328,820	S *	8/1992	Davie	D3/229
D375,624	S *	11/1996	Jensen	D3/229
D381,805	S *	8/1997	Case	D3/229
D503,039	S *	3/2005	Cook et al.	D3/229
D523,240	S *	6/2006	Luke	D3/221
2002/0084295	A1 *	7/2002	Martindale et al.	224/219

* cited by examiner

1 Claim, 3 Drawing Sheets



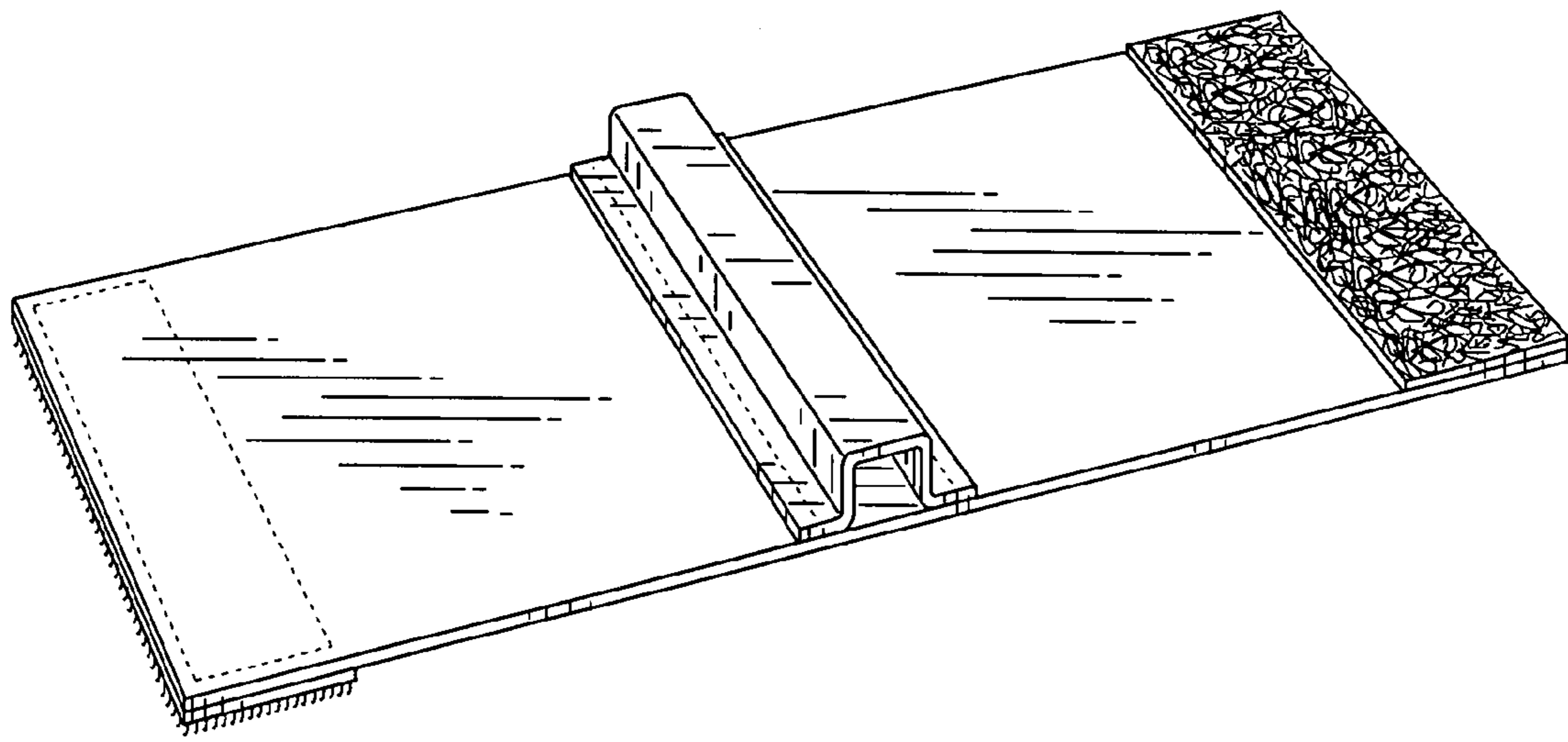


Fig. 1

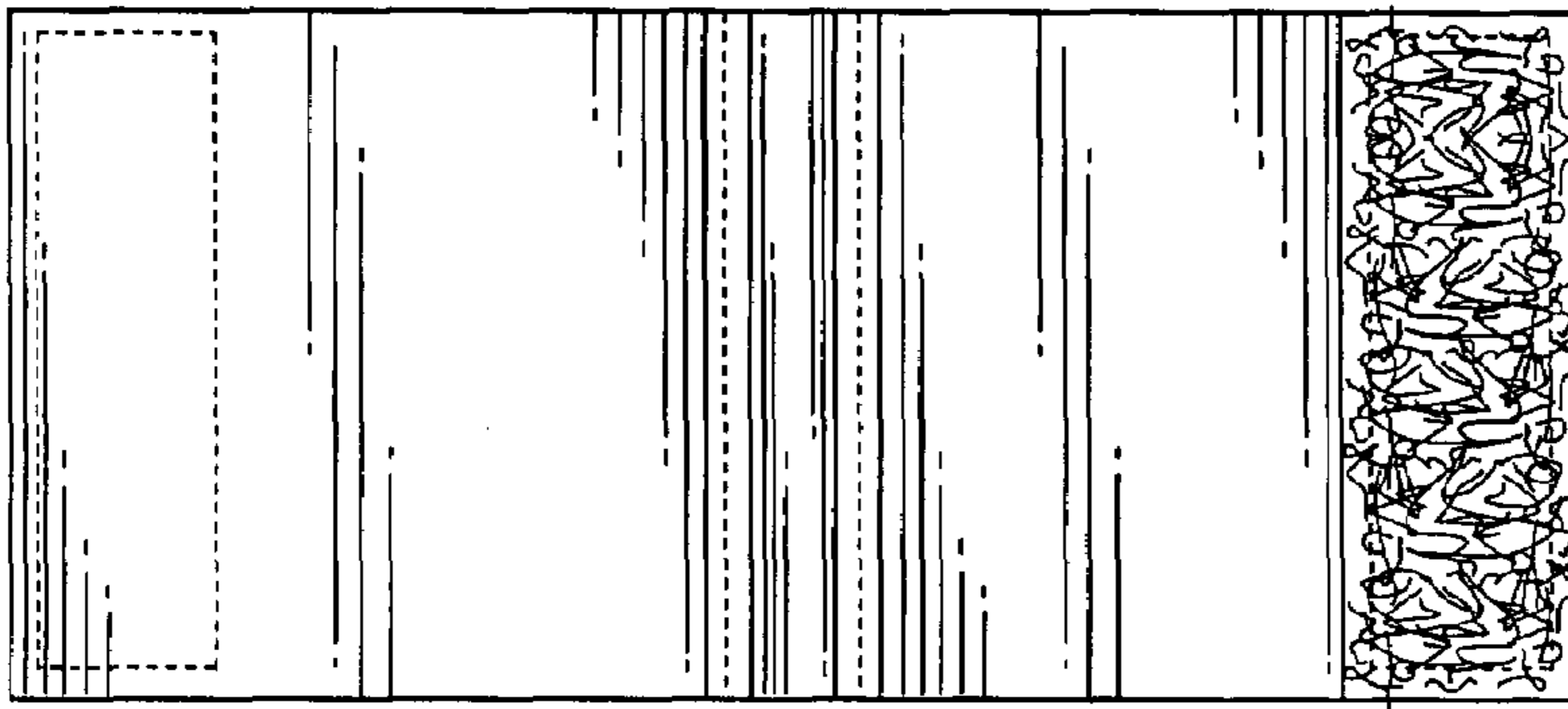


Fig. 2



Fig. 3



Fig. 4



Fig. 5

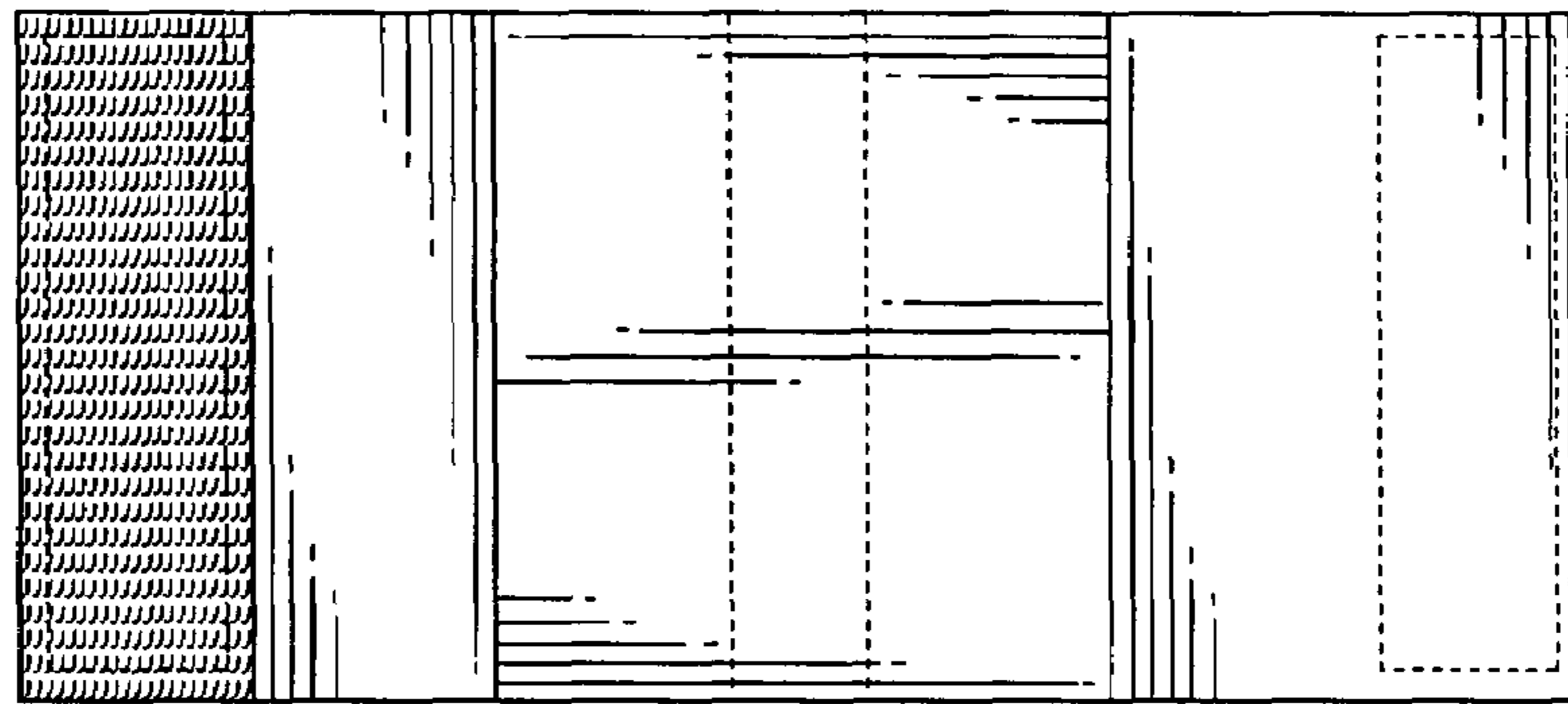


Fig. 6



Fig. 7

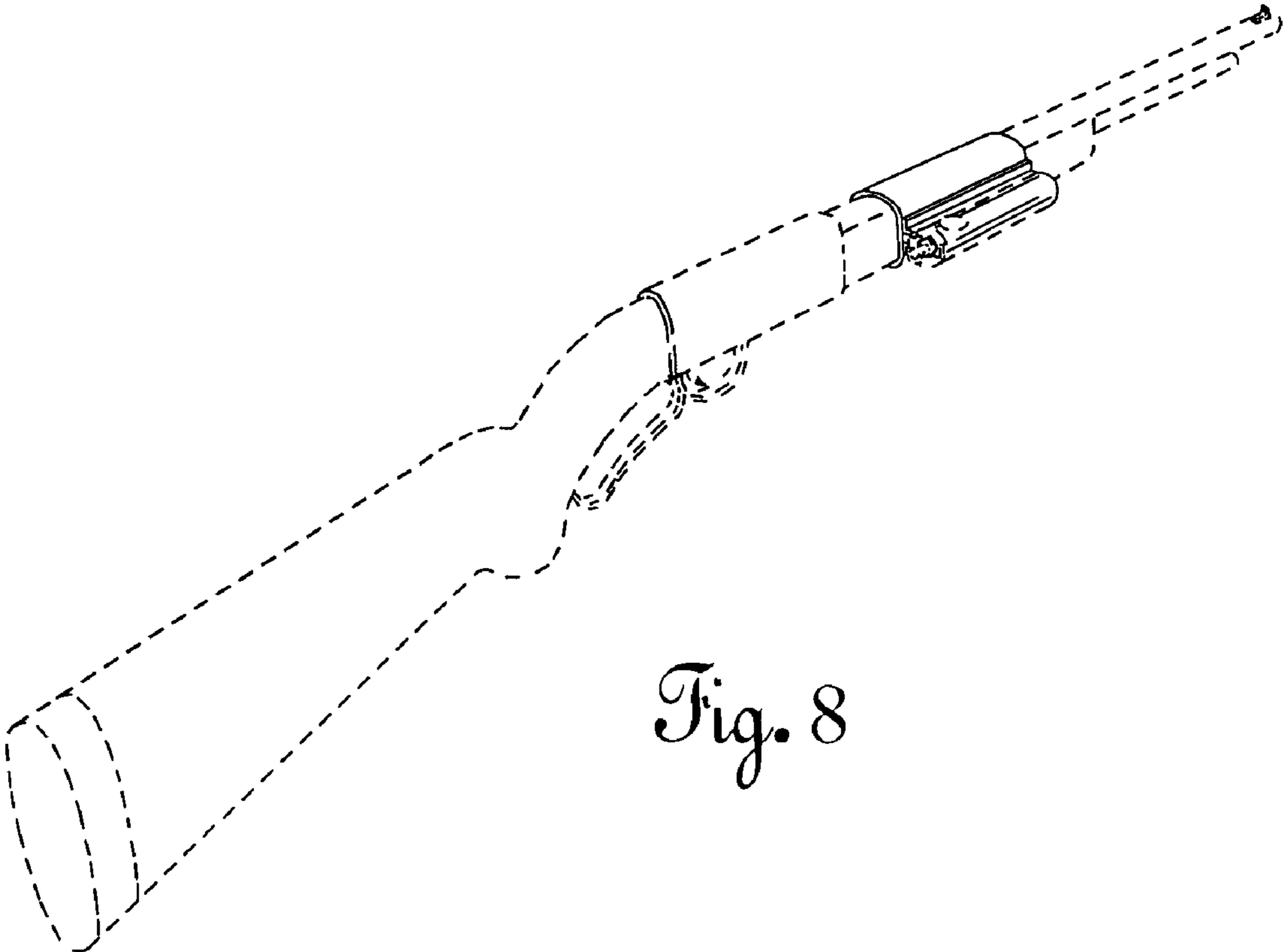


Fig. 8

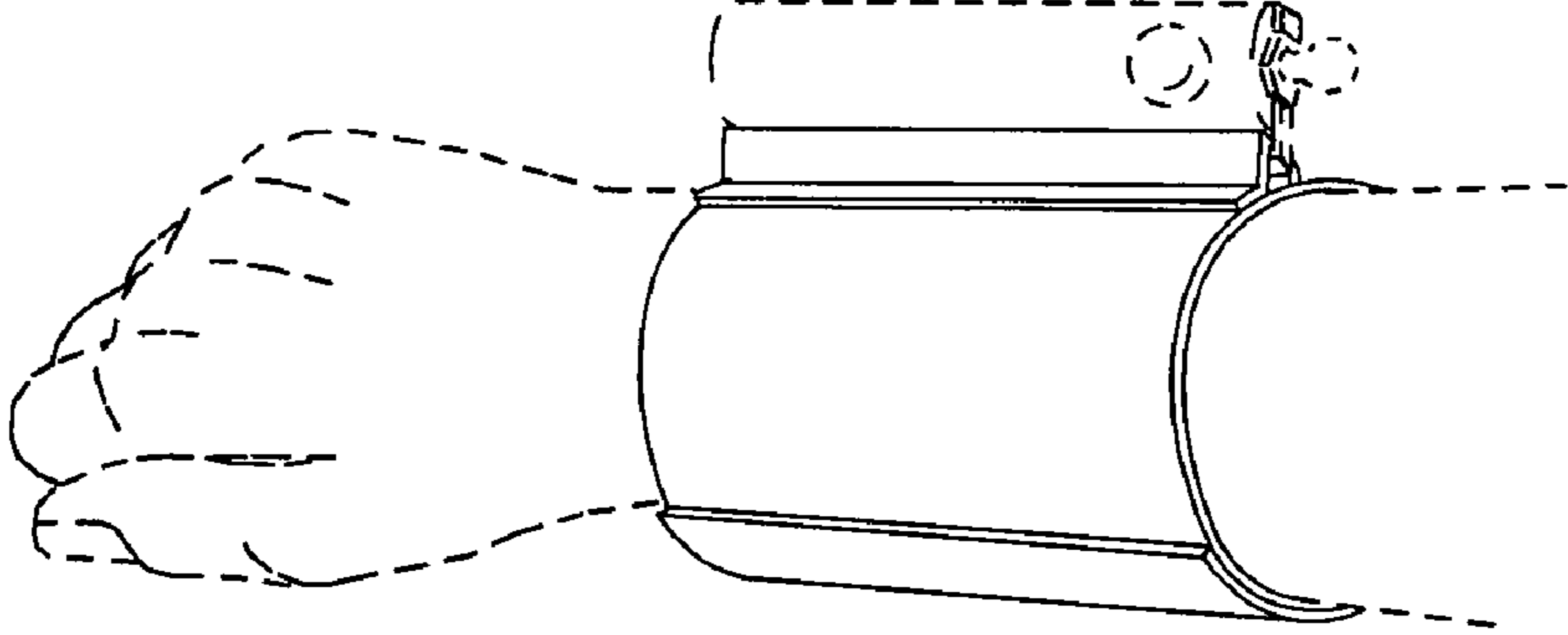


Fig. 9