



US00D562547S

(12) **United States Design Patent**
Mesalic et al.

(10) **Patent No.:** **US D562,547 S**

(45) **Date of Patent:** **** Feb. 26, 2008**

(54) **FIRST AID CASE**

D500,202 S * 12/2004 Nova et al. D3/203.6
D509,061 S * 9/2005 Catania D3/269
D539,035 S * 3/2007 Chen D3/905

(75) Inventors: **Admir James Mesalic**, Las Vegas, NV
(US); **Carol A. Mesalic**, Las Vegas, NV
(US)

* cited by examiner

(73) Assignee: **Classy Kid, Inc.**, N. Las Vegas, NV
(US)

Primary Examiner—Catherine R. Oliver
(74) *Attorney, Agent, or Firm*—Blackwell Sanders LLP

(**) Term: **14 Years**

(57) **CLAIM**

(21) Appl. No.: **29/281,012**

The ornamental design for a first aid case, as shown and described.

(22) Filed: **Jun. 13, 2007**

DESCRIPTION

(51) **LOC (8) Cl.** **03-01**

(52) **U.S. Cl.** **D3/203.6**

(58) **Field of Classification Search** D3/203.6,
D3/203.1, 282, 201, 204, 205, 294, 315, 273,
D3/272, 269, 301, 905; 206/531–534, 349,
206/570, 581–582, 38, 372–373; 150/117;
190/119

FIG. 1 is a perspective view of a first aid case showing our new design.

FIG. 2 is a front elevational view thereof.

FIG. 3 is a rear elevational view thereof.

FIG. 4 is a left side elevational view thereof.

FIG. 5 is a right side elevational view thereof.

FIG. 6 is a top plan view thereof; and,

FIG. 7 is a bottom plan view thereof.

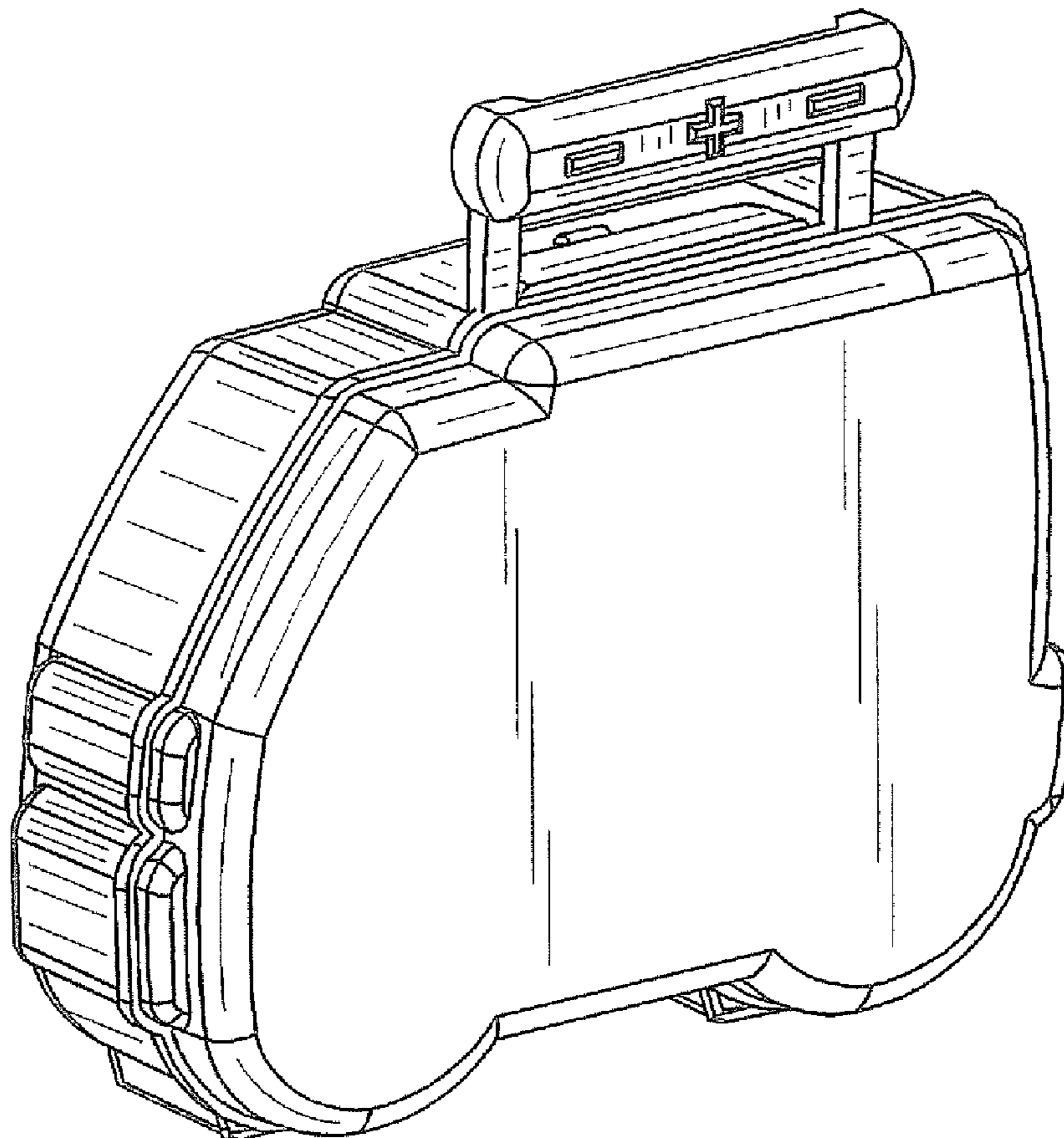
See application file for complete search history.

(56) **References Cited**

U.S. PATENT DOCUMENTS

D169,554 S * 5/1953 Littlejohn D3/203.6

1 Claim, 3 Drawing Sheets



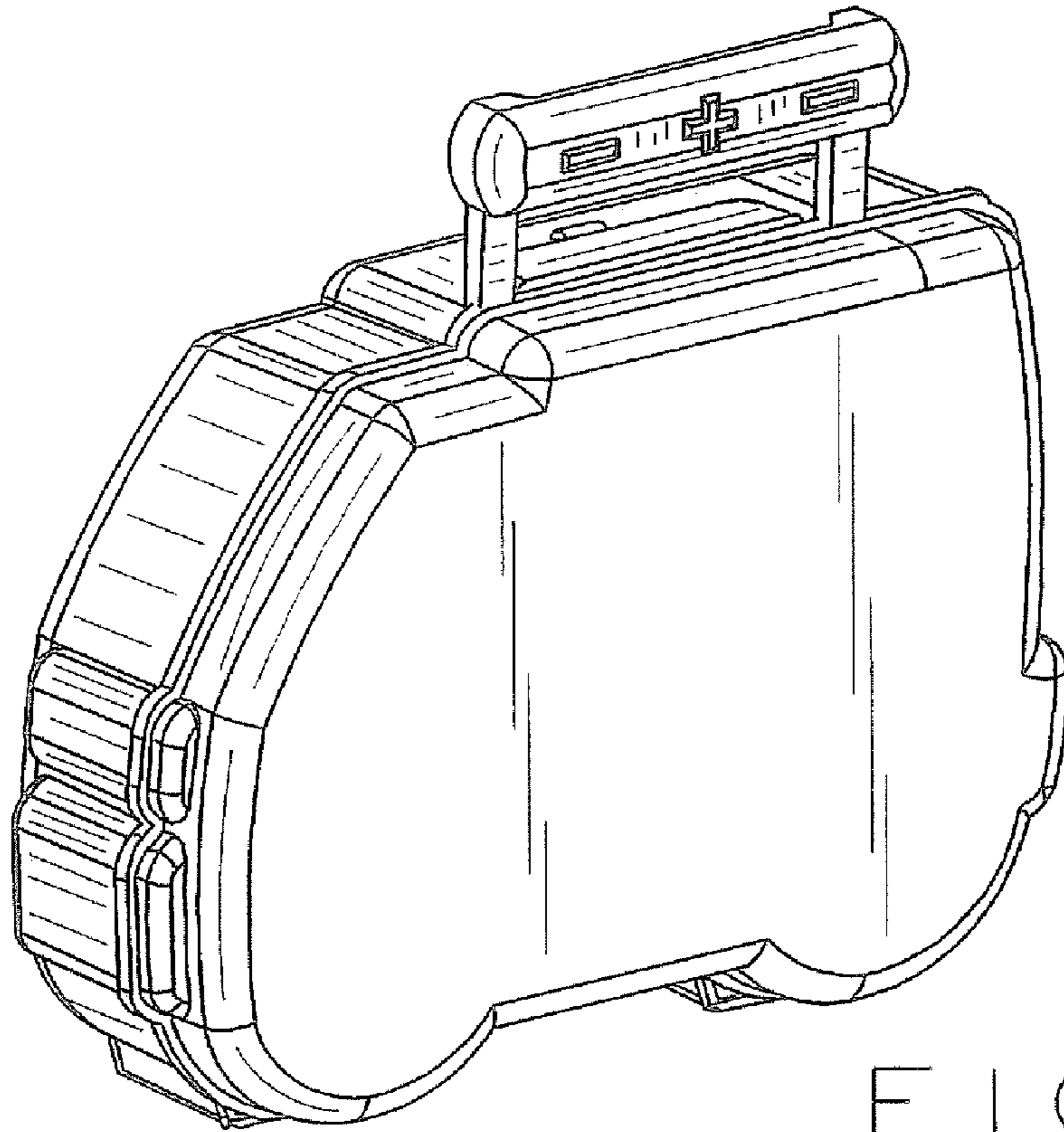


FIG. 1

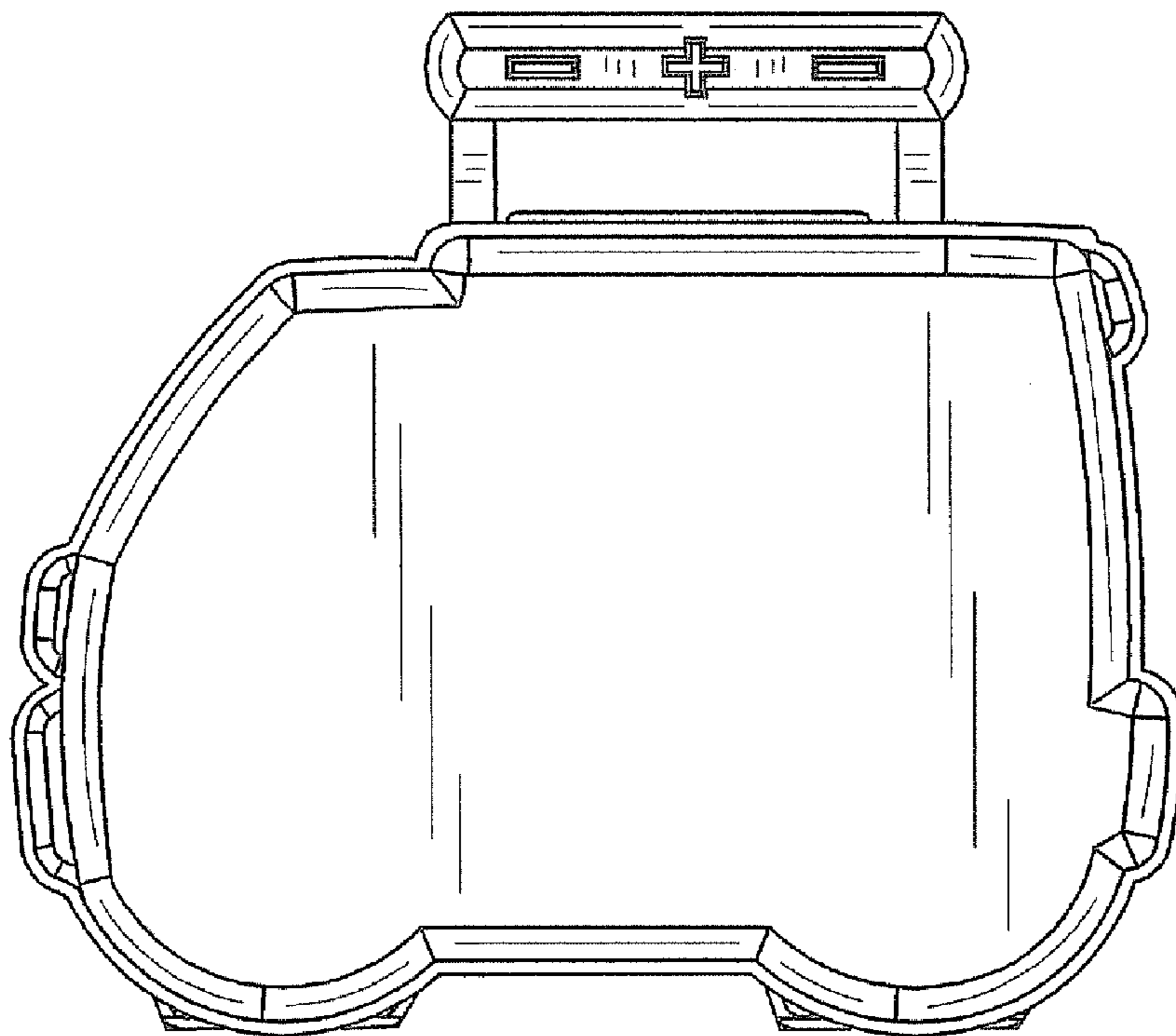


FIG. 2

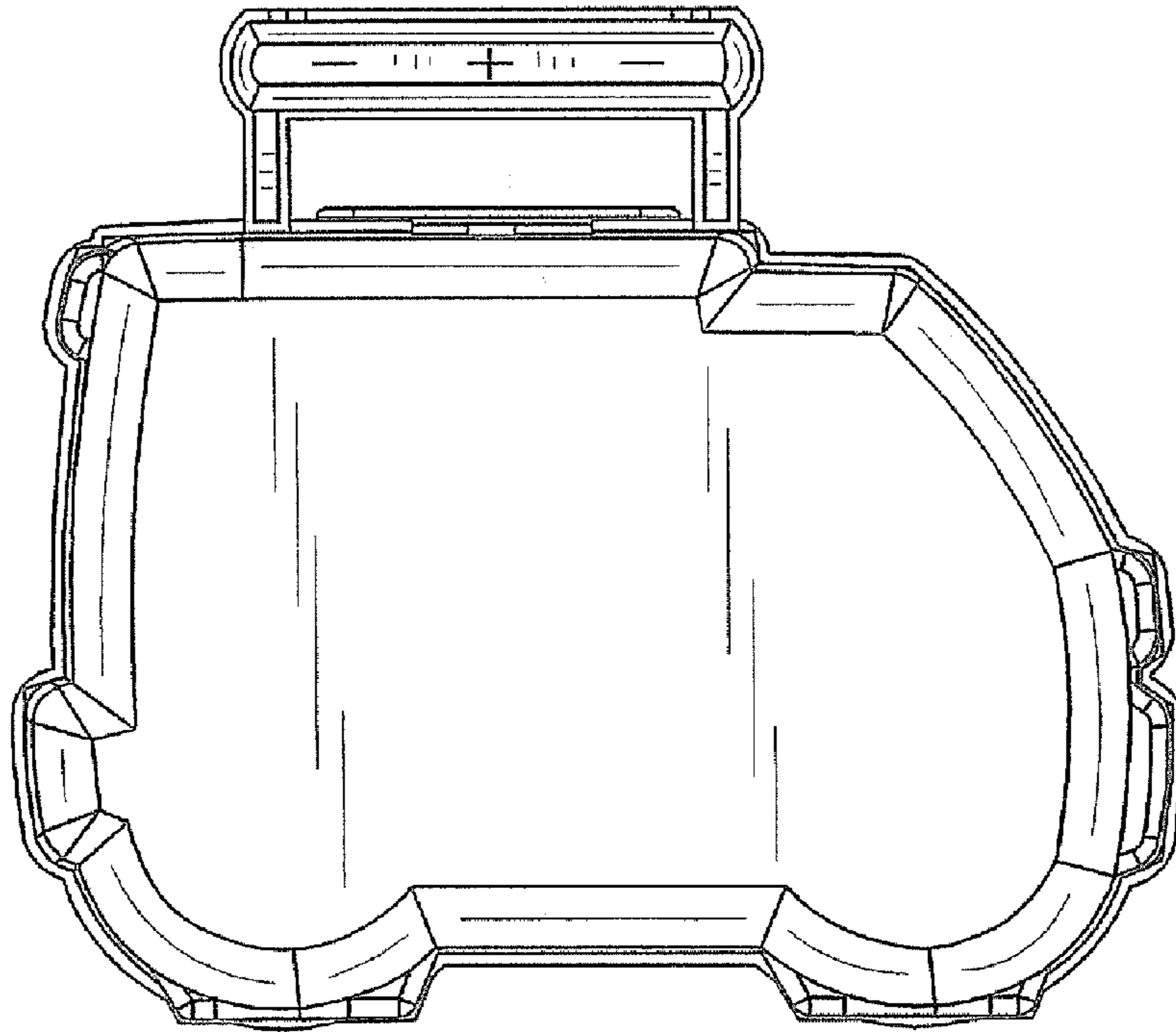


FIG. 3

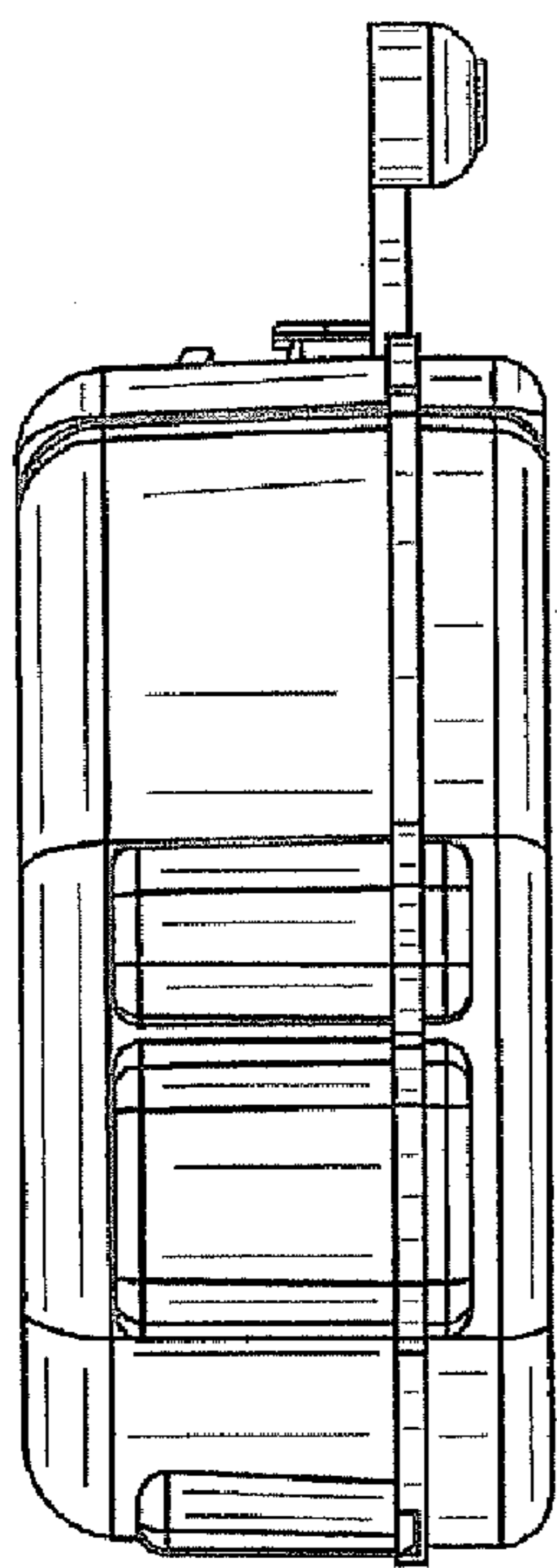


FIG. 4

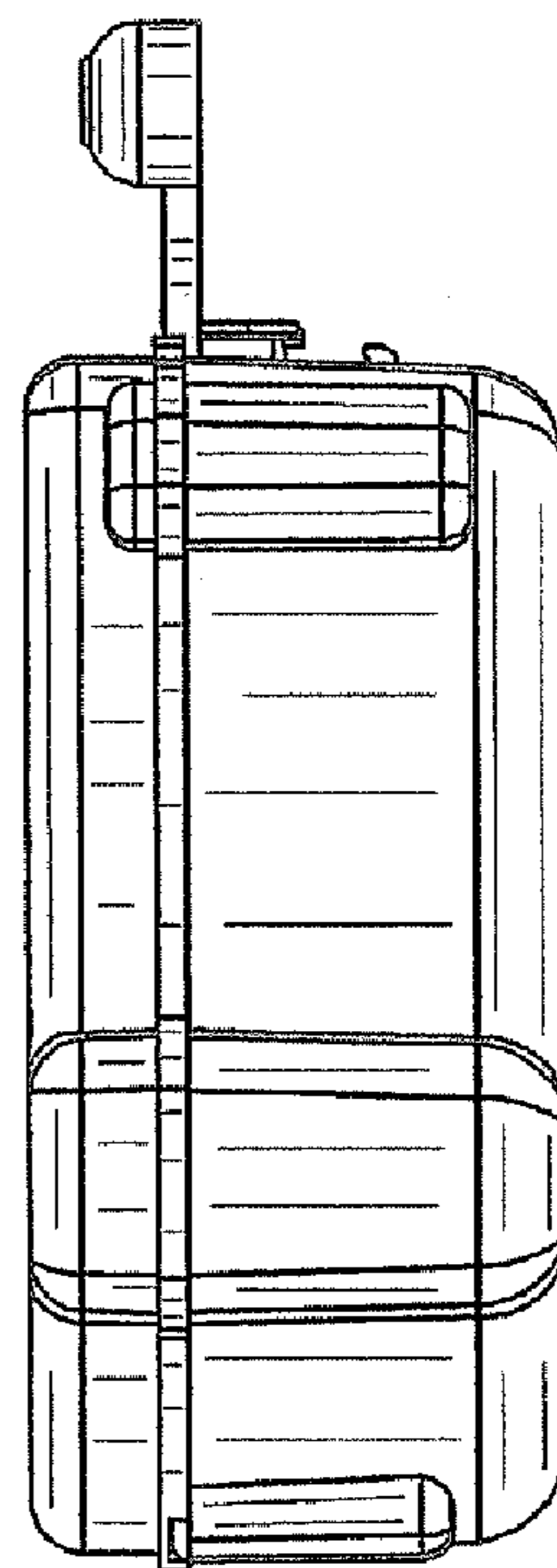


FIG. 5

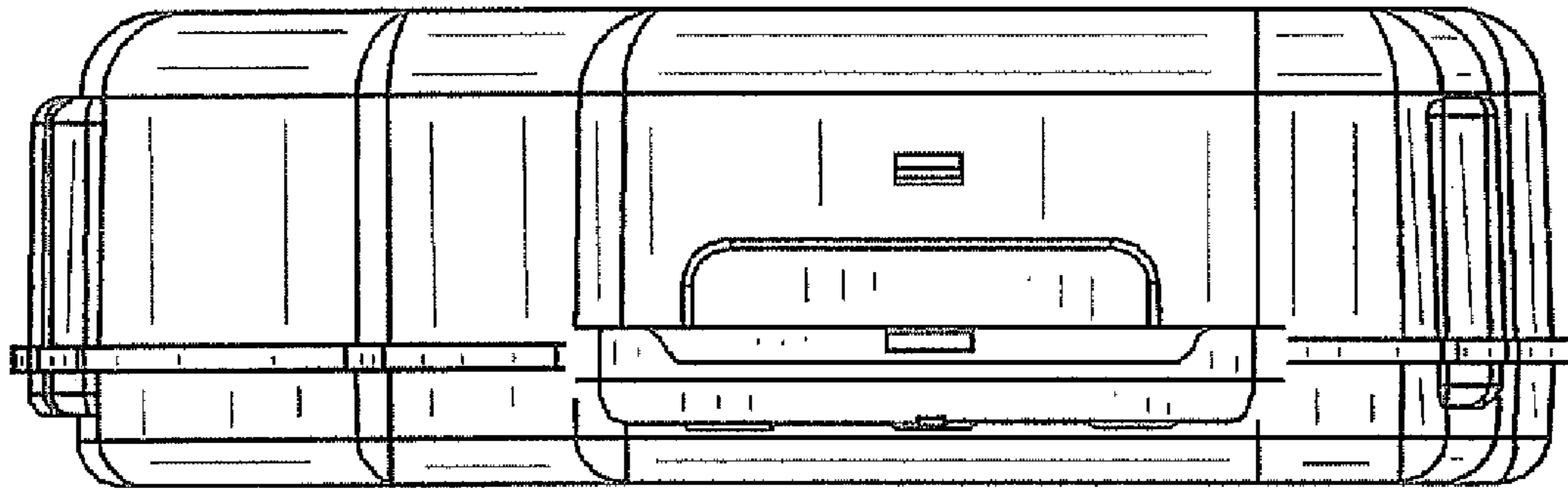


FIG. 6

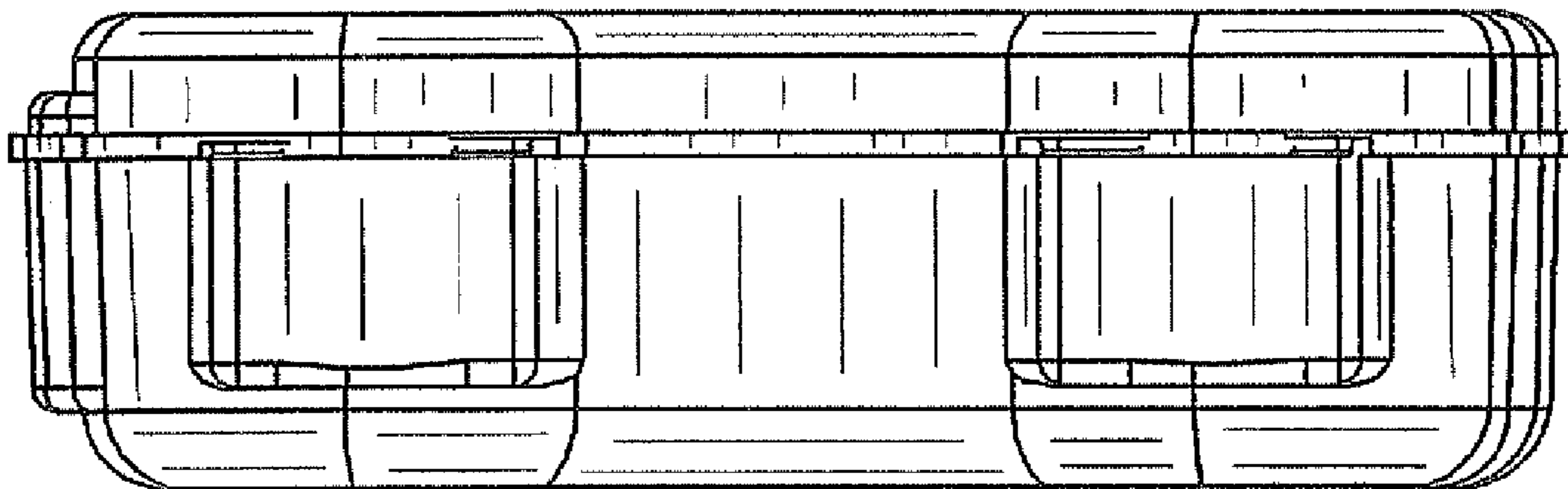


FIG. 7