



US00D562545S

(12) **United States Design Patent**  
**Dawson**

(10) **Patent No.:** **US D562,545 S**  
(45) **Date of Patent:** **\*\* Feb. 26, 2008**

(54) **MEDICAL CASE**

(76) Inventor: **Christopher K. Dawson**, 7 Planters Woods Trail, Greensboro, NC (US) 27407

(\*\*) Term: **14 Years**

(21) Appl. No.: **29/286,469**

(22) Filed: **May 7, 2007**

(51) **LOC (8) Cl.** ..... **03-01**

(52) **U.S. Cl.** ..... **D3/203.1**

(58) **Field of Classification Search** ..... D3/203.1, D3/201, 205, 295, 901, 301; 206/566, 581, 206/570, 579, 545, 823; 132/312  
See application file for complete search history.

(56) **References Cited**

**U.S. PATENT DOCUMENTS**

4,960,204 A	10/1990	Young et al.	.....	206/235
D359,163 S *	6/1995	Summerfield et al.	.....	D3/205
D377,861 S *	2/1997	Jacobson	.....	D3/203.1
D455,005 S *	4/2002	Wolf	.....	D3/205
D538,528 S	3/2007	Dawson	.....	D3/203.1

**OTHER PUBLICATIONS**

U.S. Appl. No. 29/256,424, filed Mar. 20, 2006, Dawson.

\* cited by examiner

*Primary Examiner*—Catherine R. Oliver

(57) **CLAIM**

The ornamental design for a medical case, as shown and described.

**DESCRIPTION**

FIG. 1 is a top, front, left side closed perspective view of a medical case embodying my design, the carry strap being flexible but shown in only one position herein;

FIG. 2 is a top plan view thereof;

FIG. 3 is a bottom plan view thereof;

FIG. 4 is a front elevational view thereof;

FIG. 5 is a rear elevational view thereof;

FIG. 6 is a right side elevational view thereof;

FIG. 7 is a left side elevational view thereof;

FIG. 8 is a cross-sectional view thereof along lines 8—8 as seen in FIG. 2;

FIG. 9 a cross-sectional view thereof along lines 9—9 as seen in FIG. 2;

FIG. 10 is a partially open perspective view of thereof;

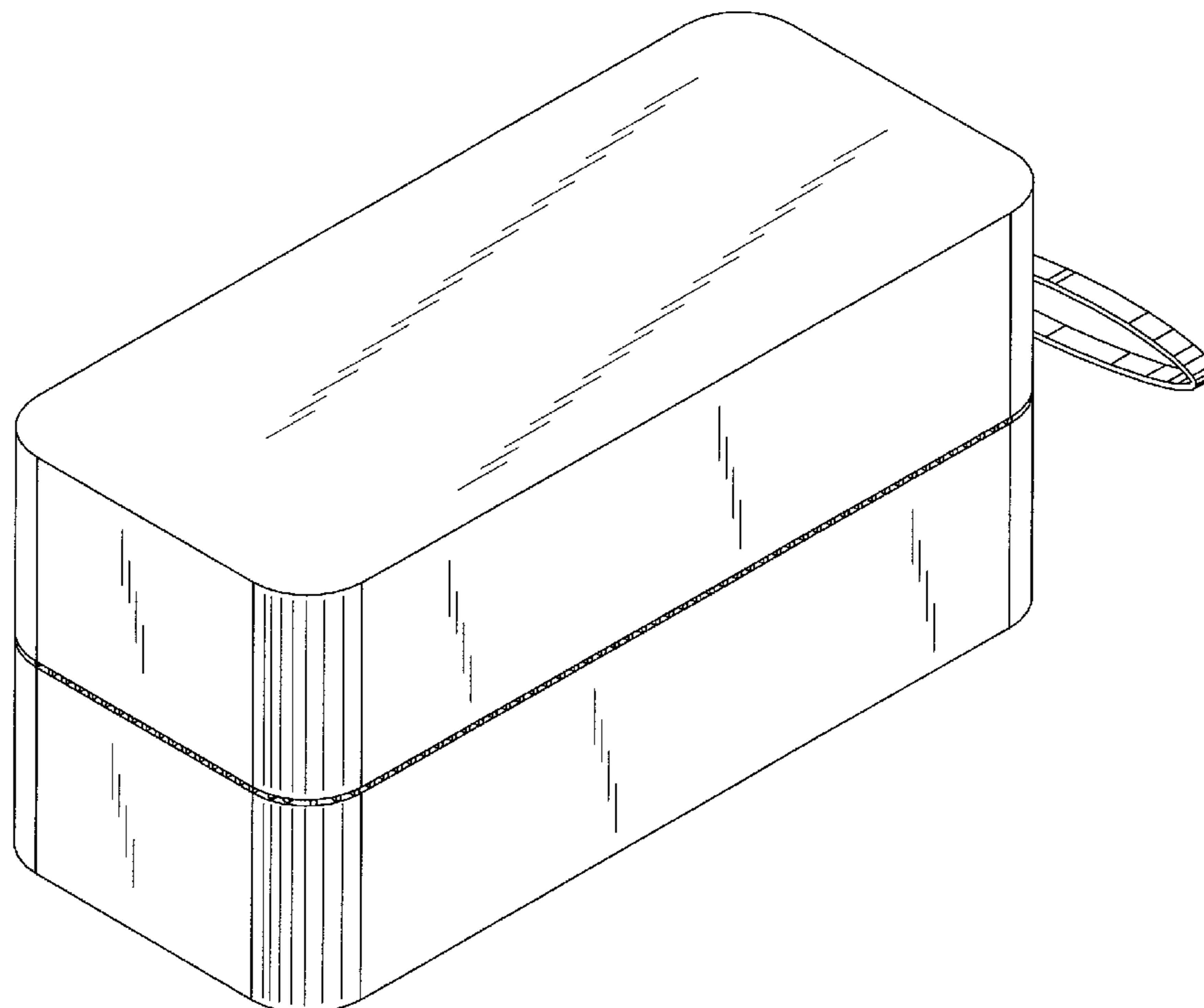
FIG. 11 is a top plan view of a second embodiment of the invention, the bottom, front, rear and side views being identical to the embodiment of FIG. 1;

FIG. 12 is a cross-sectional view thereof as shown along lines 12—12 in FIG. 11;

FIG. 13 is a partially open perspective view of thereof; and,

FIG. 14 is a cross-sectional view thereof as shown along lines 14—14 in FIG. 11.

**1 Claim, 13 Drawing Sheets**



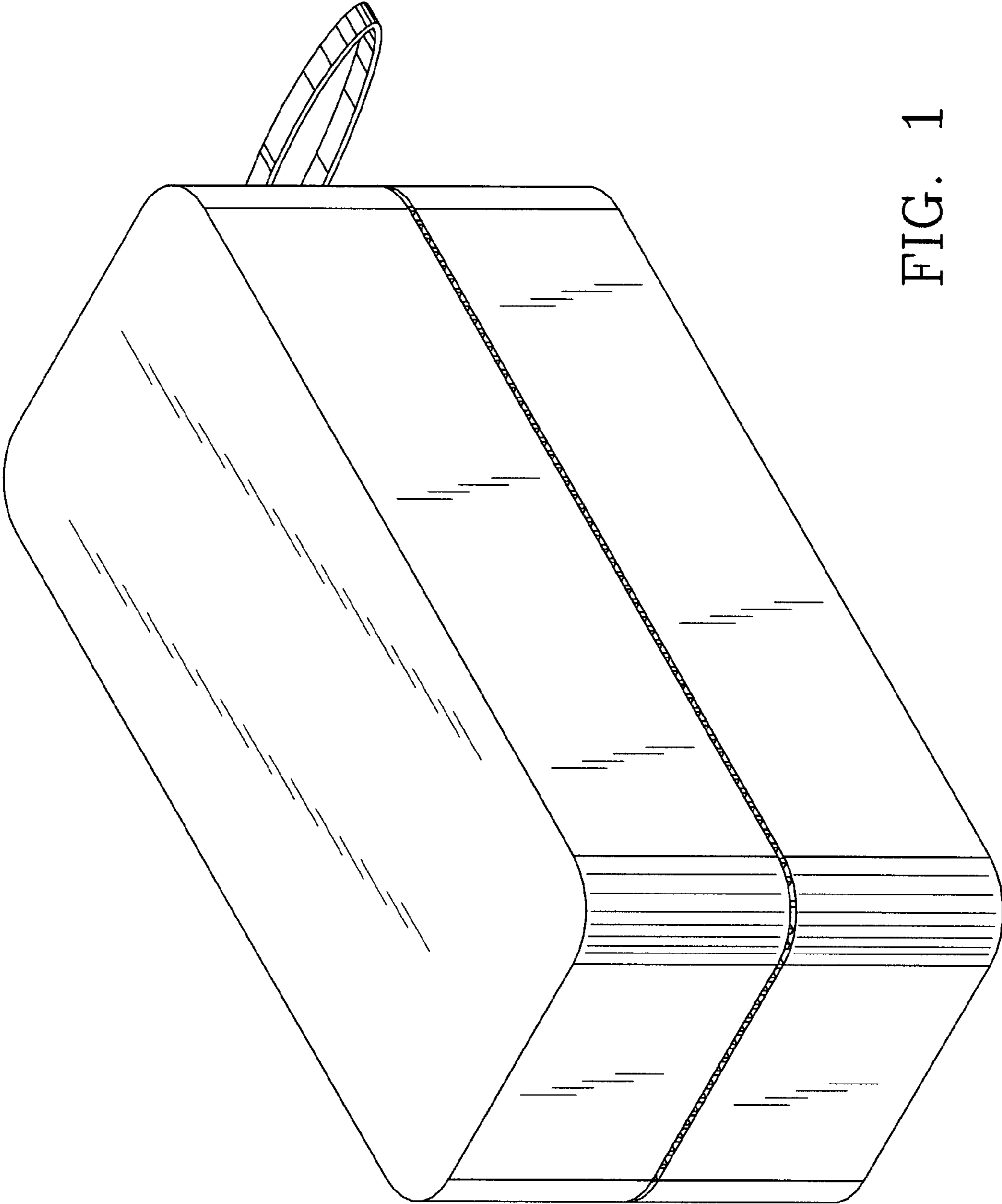


FIG. 1

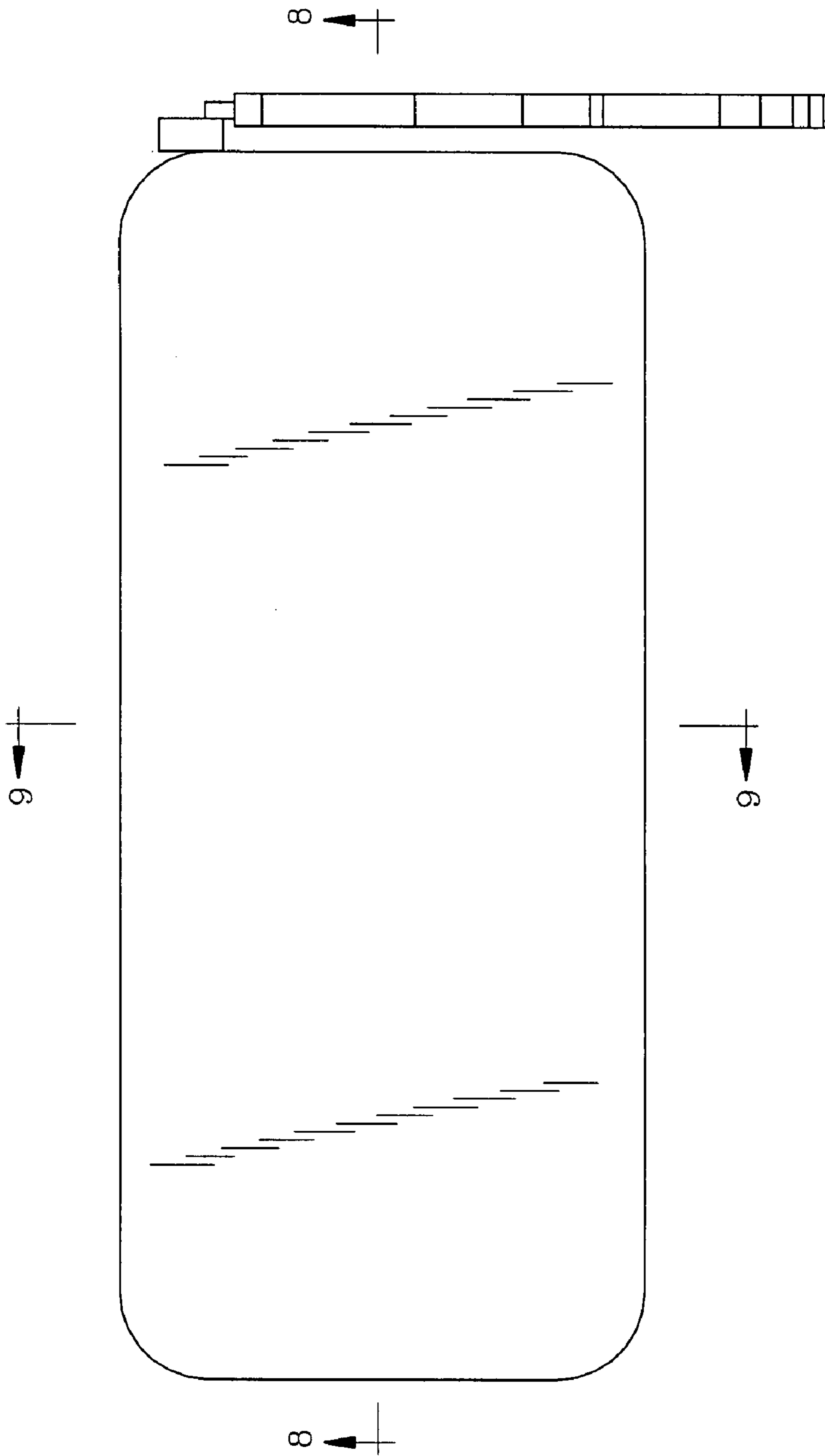


FIG. 2

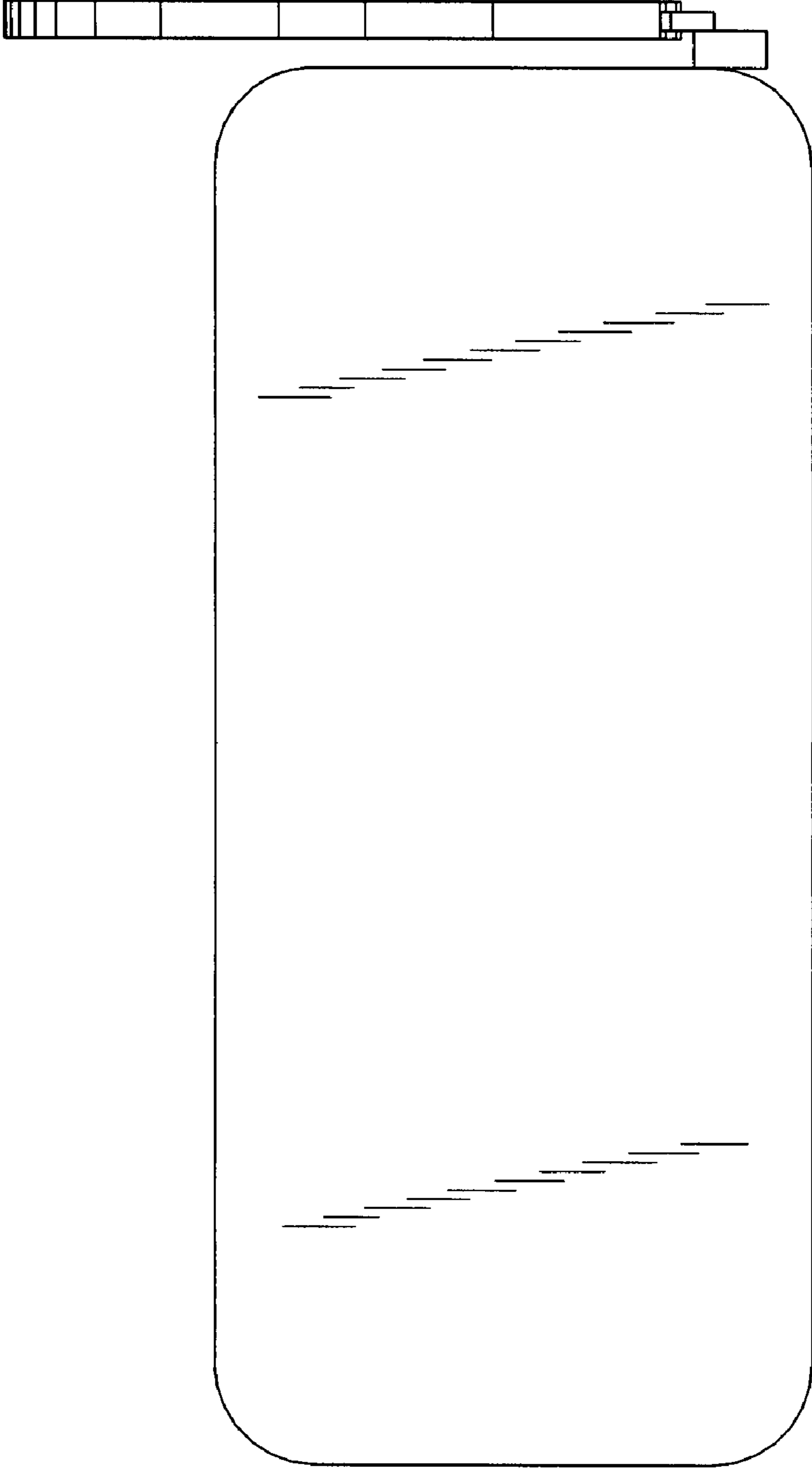


FIG. 3

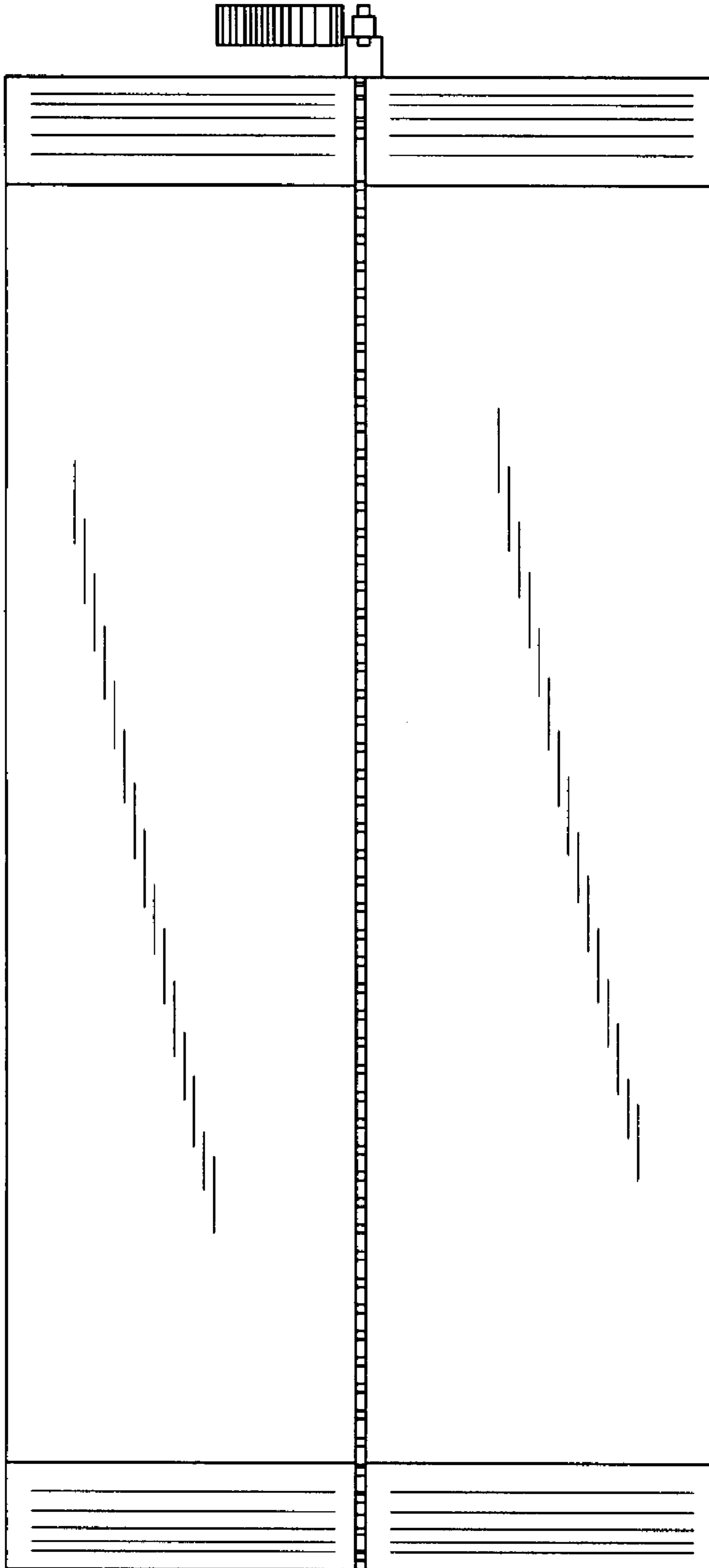


FIG. 4

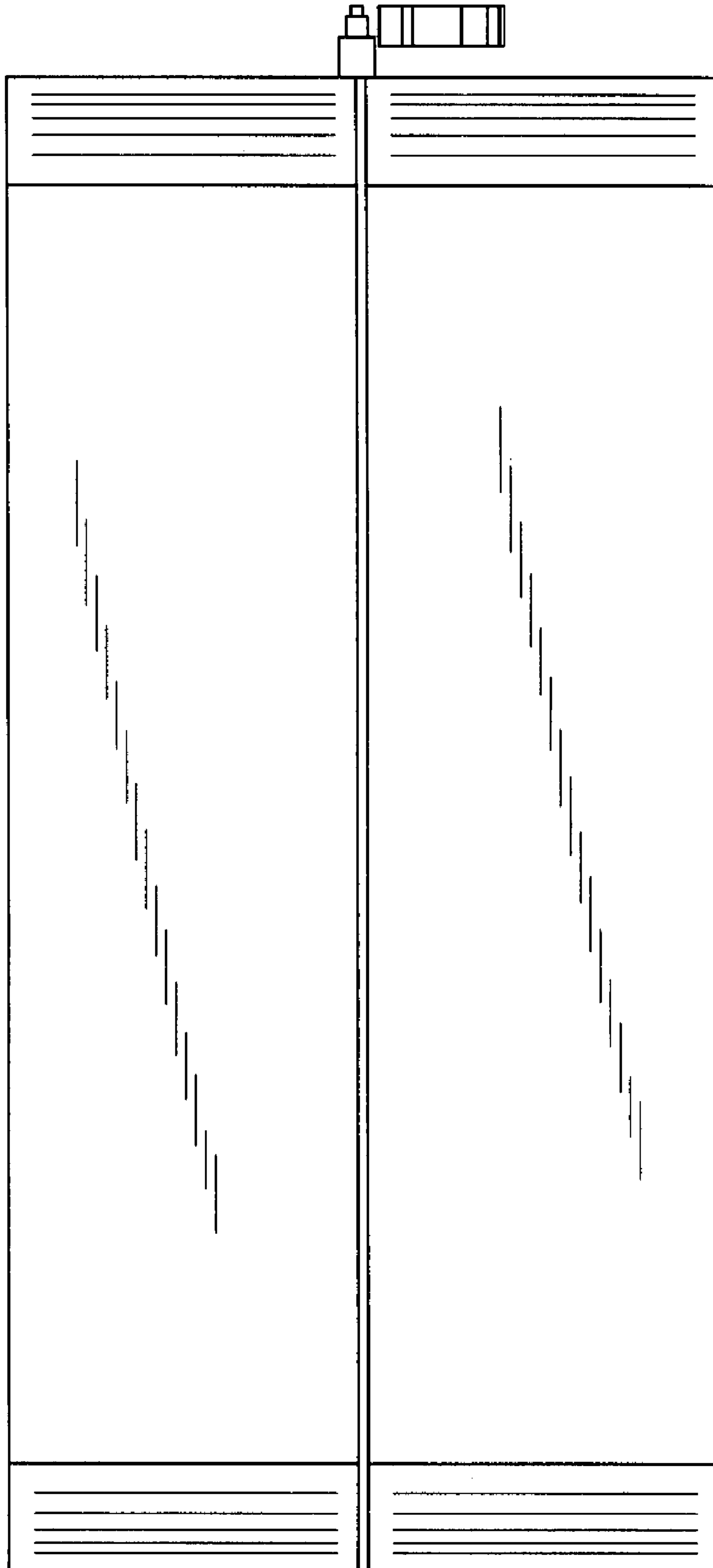


FIG. 5

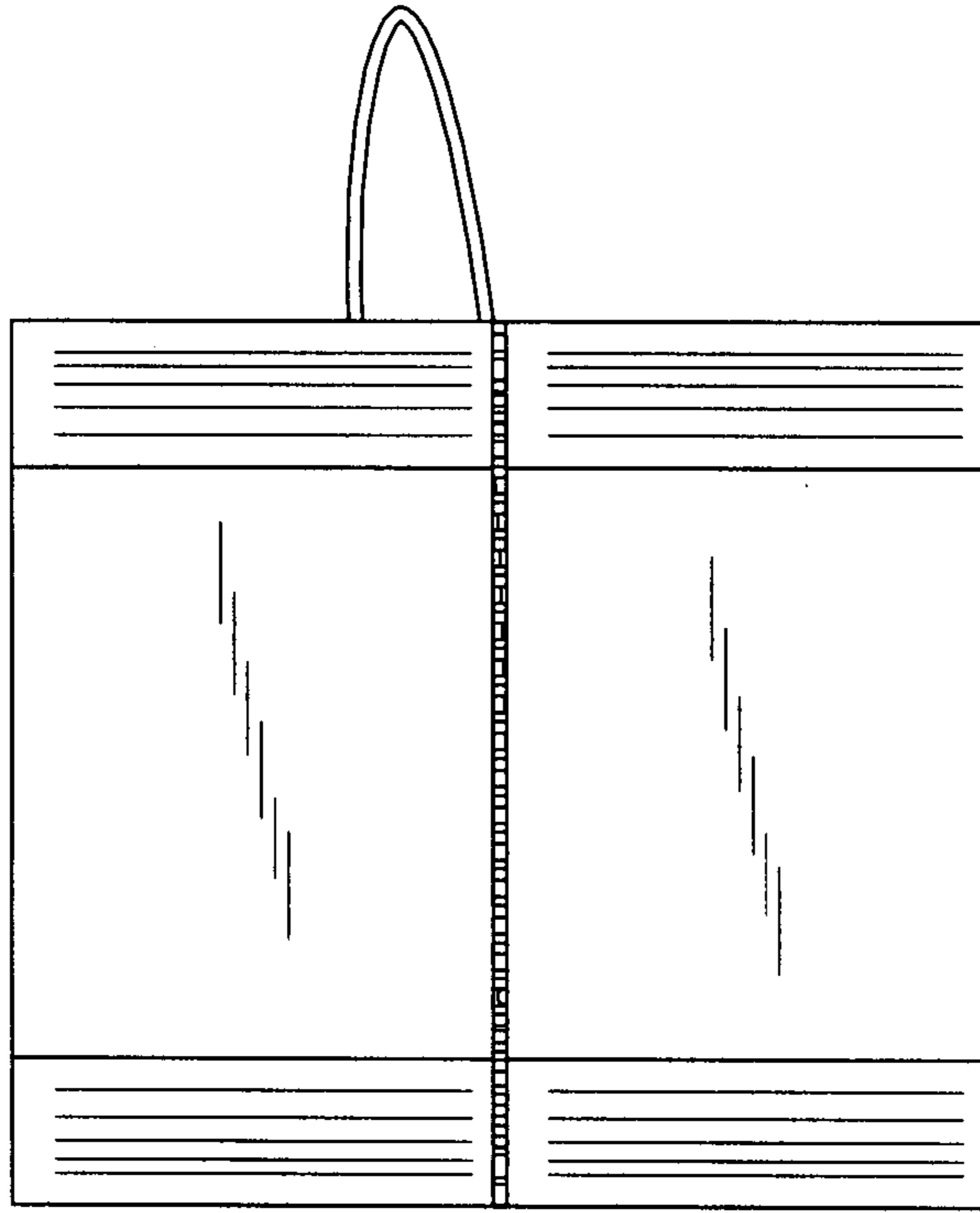


FIG. 6

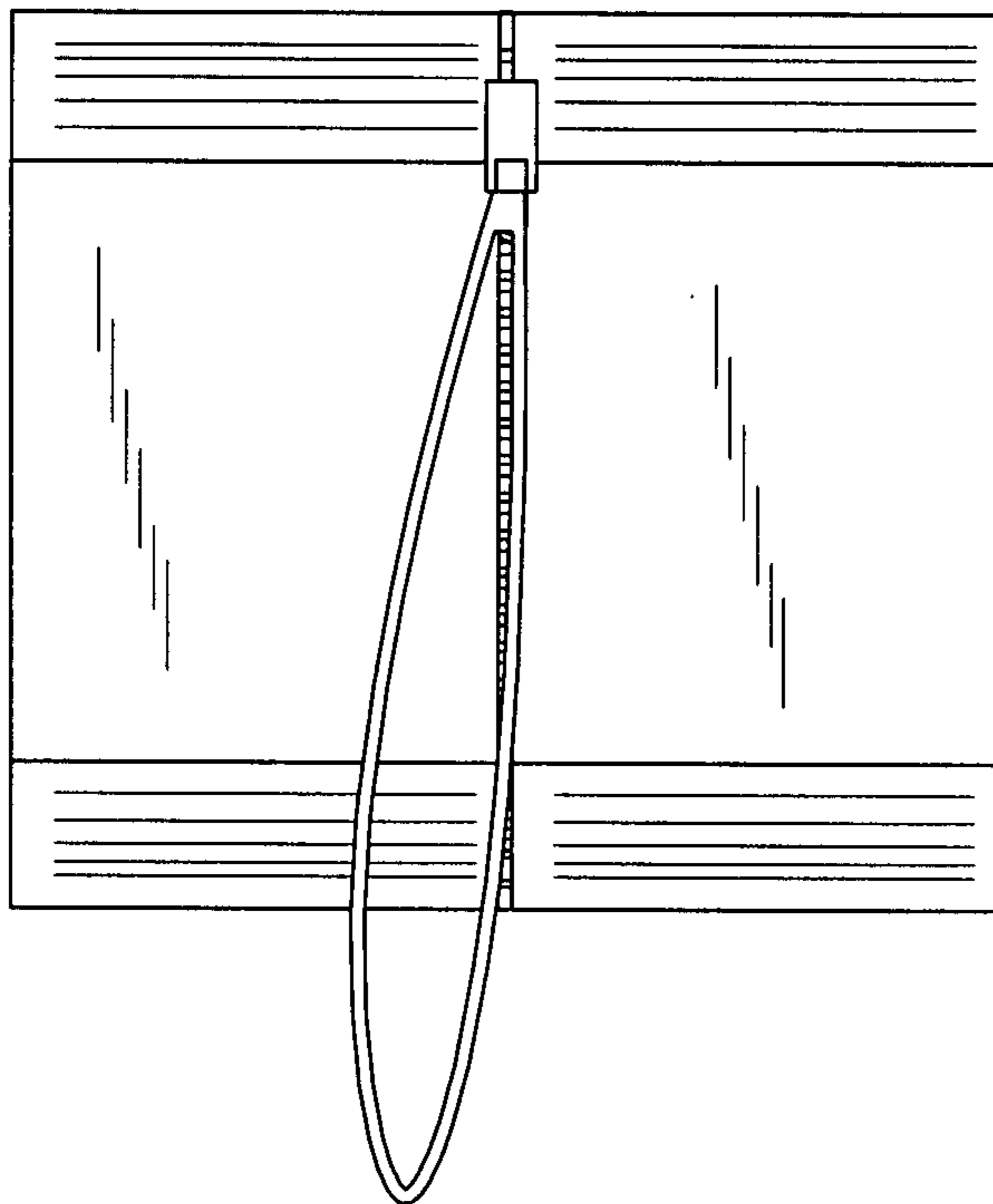


FIG. 7

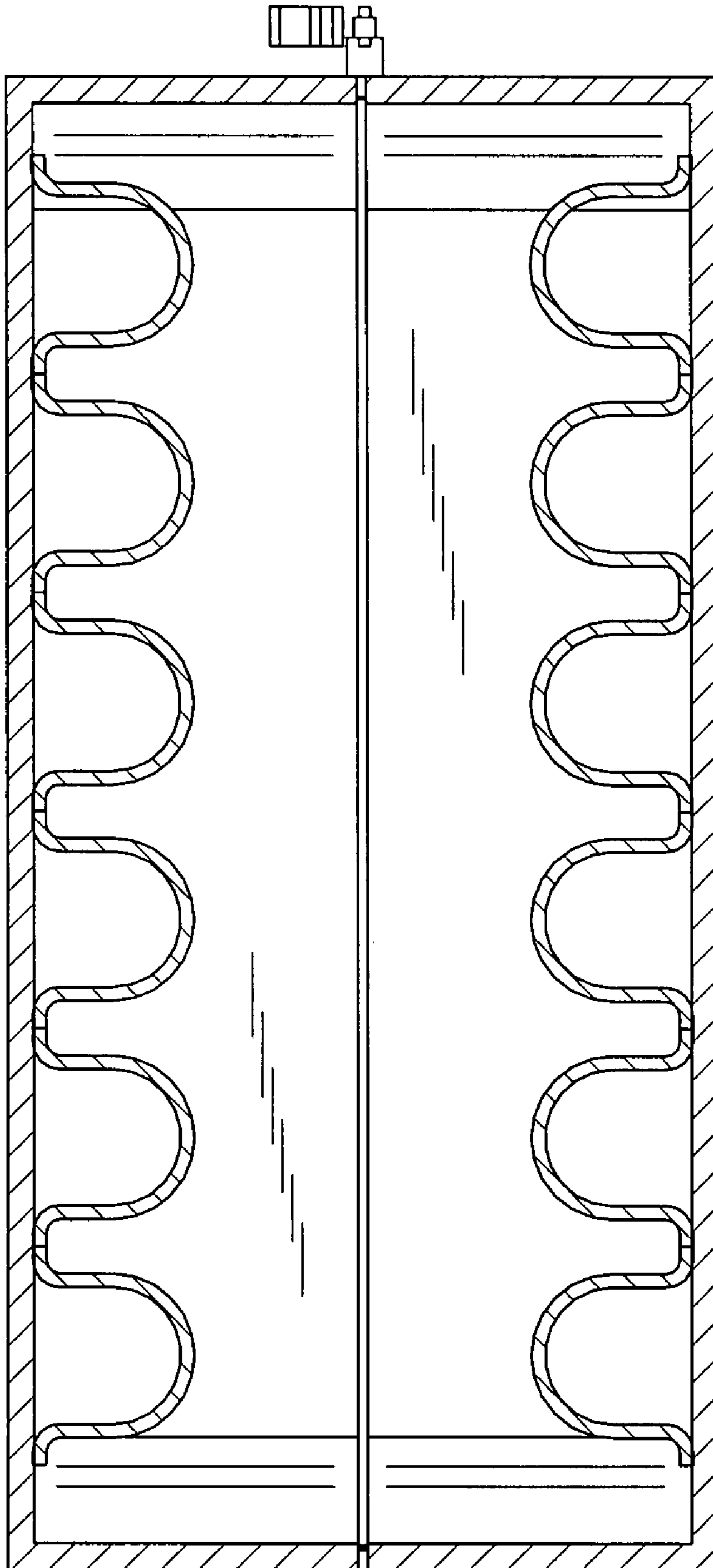


FIG. 8



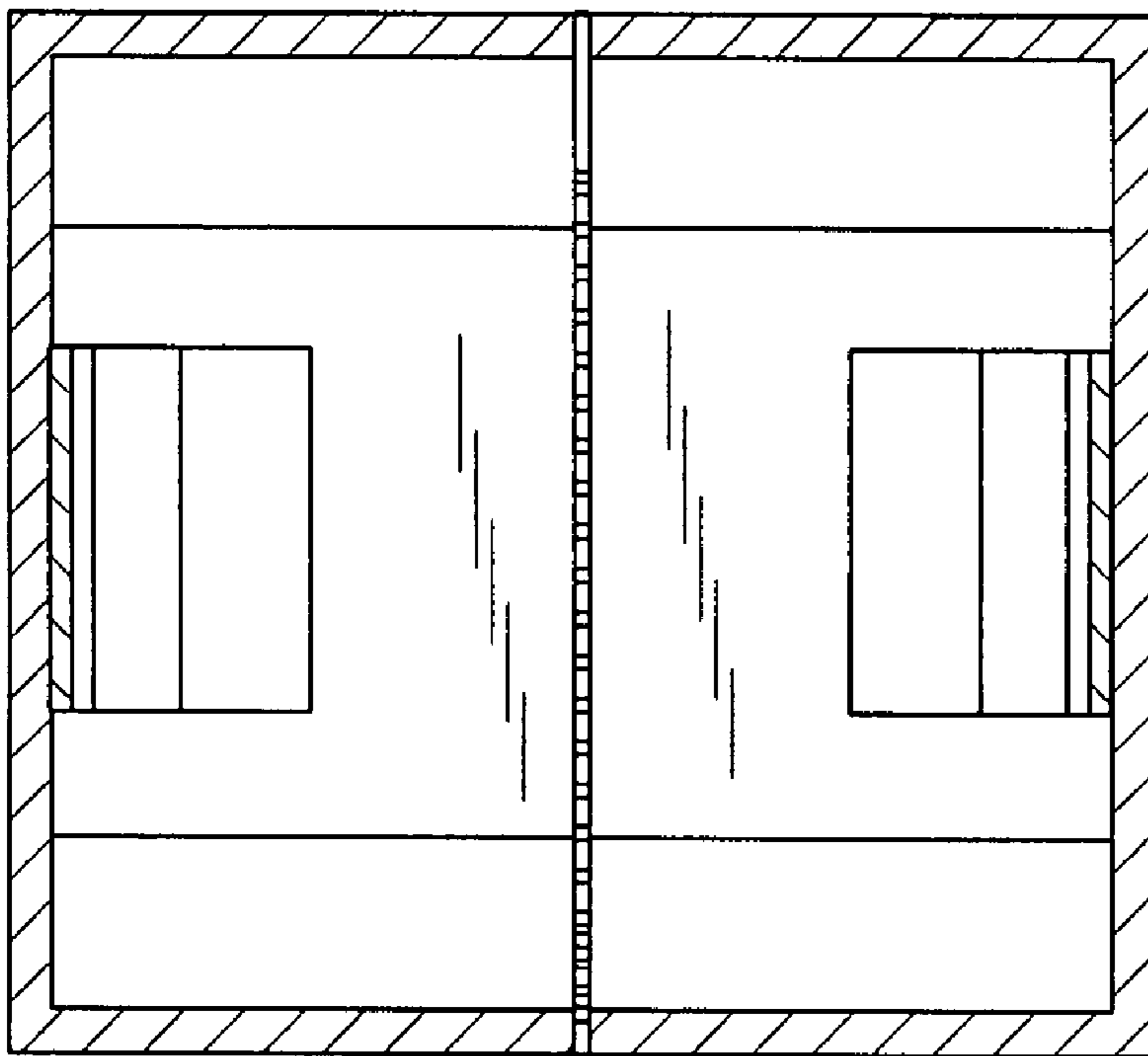


FIG. 9

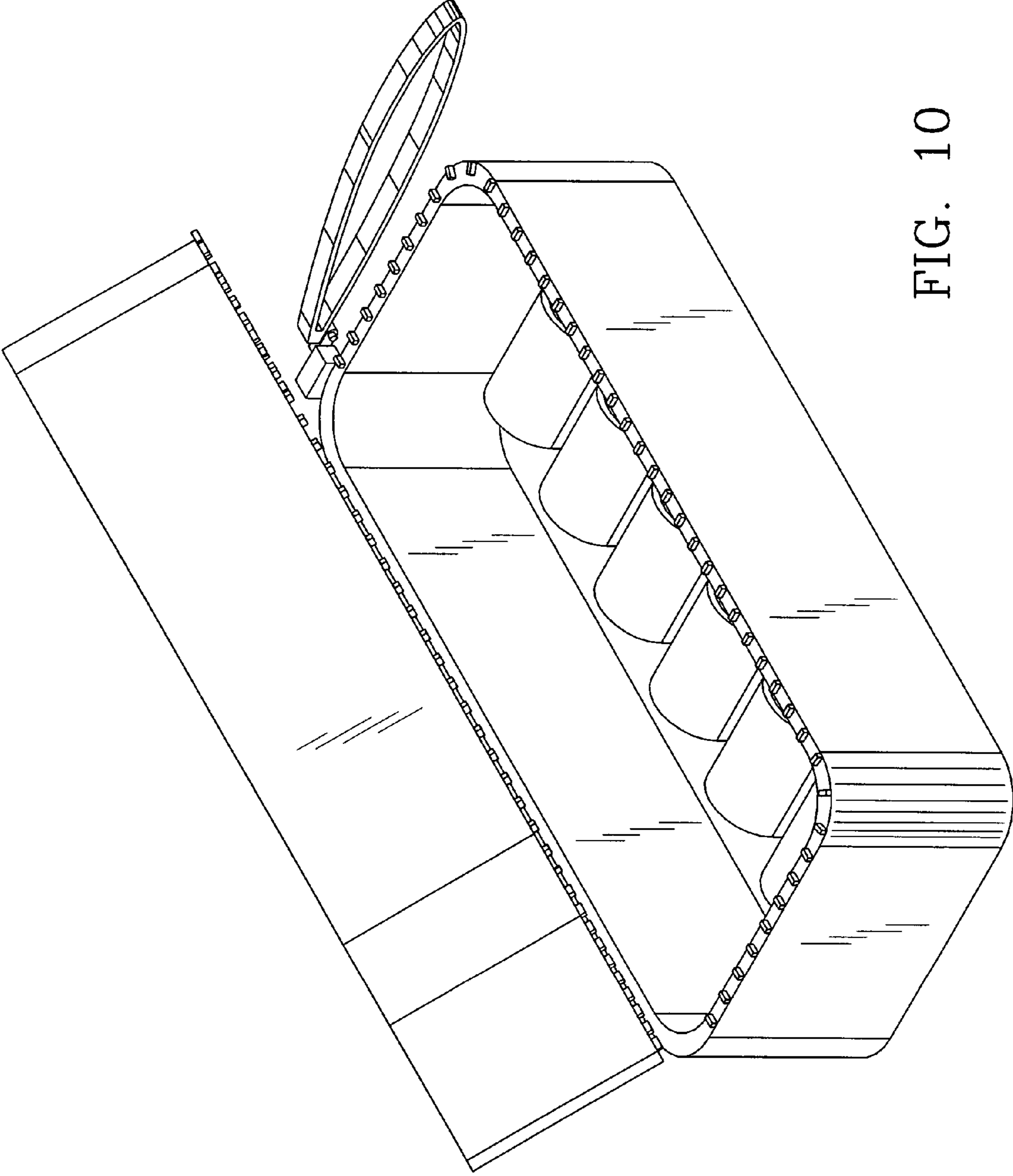


FIG. 10

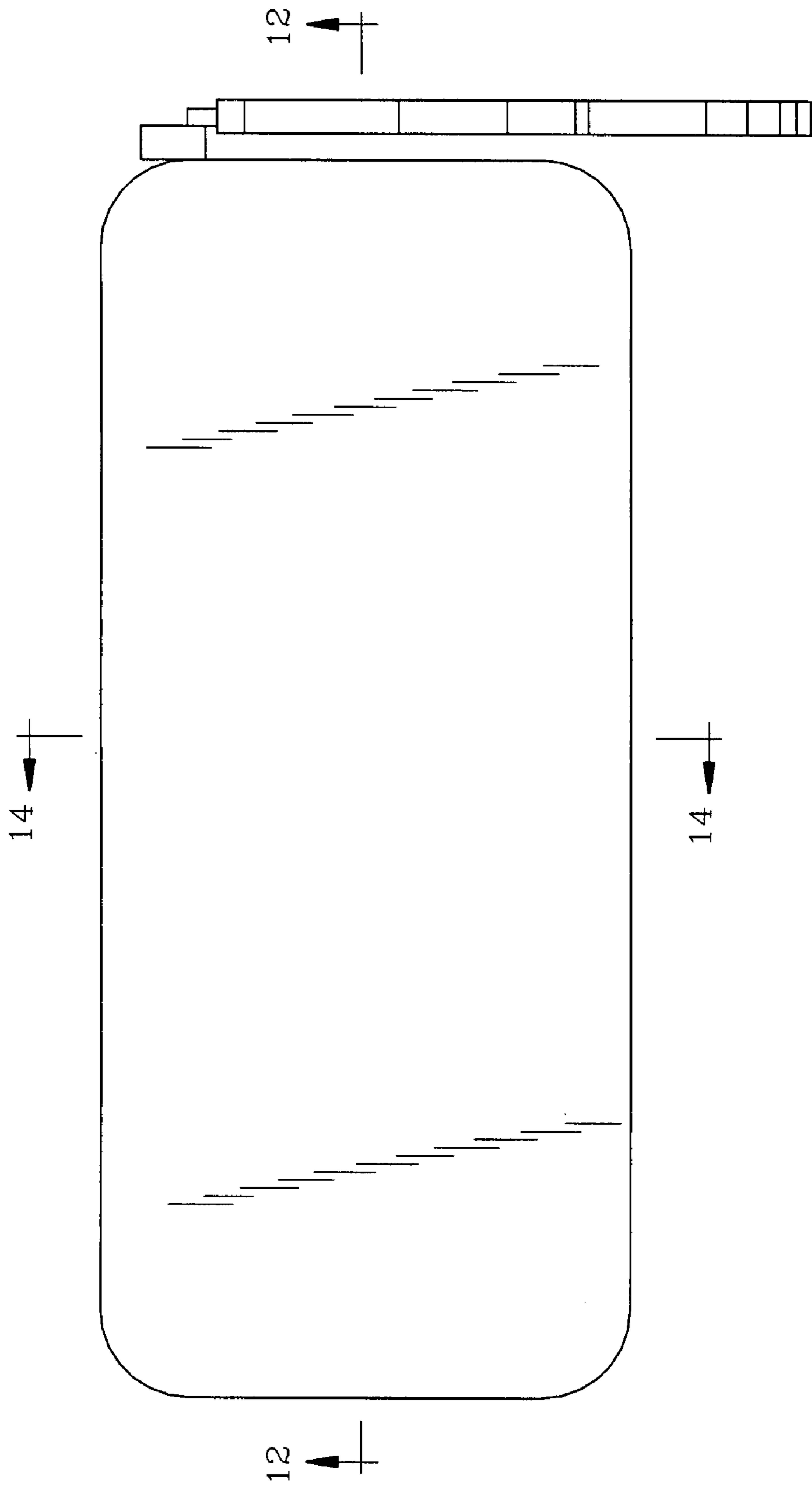


FIG. 11

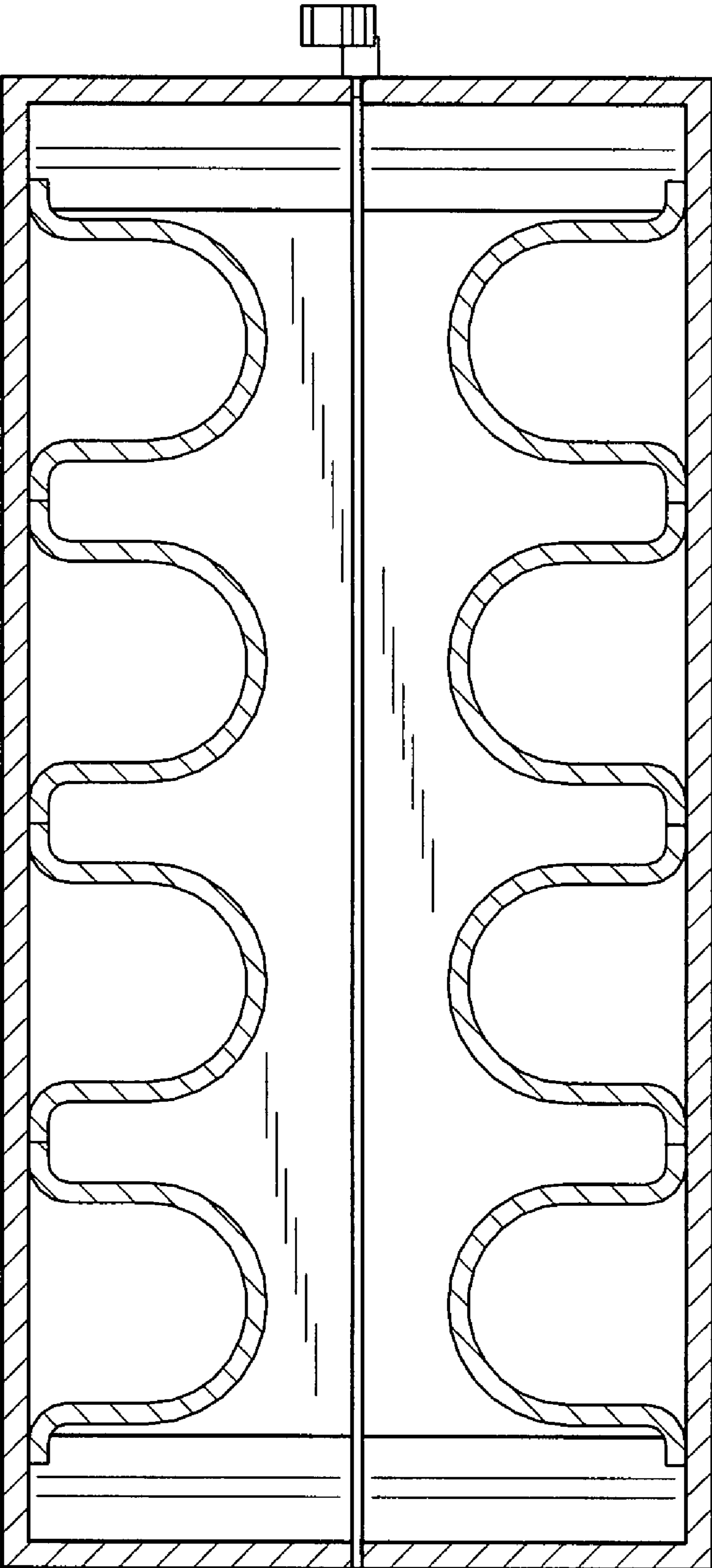


FIG. 12

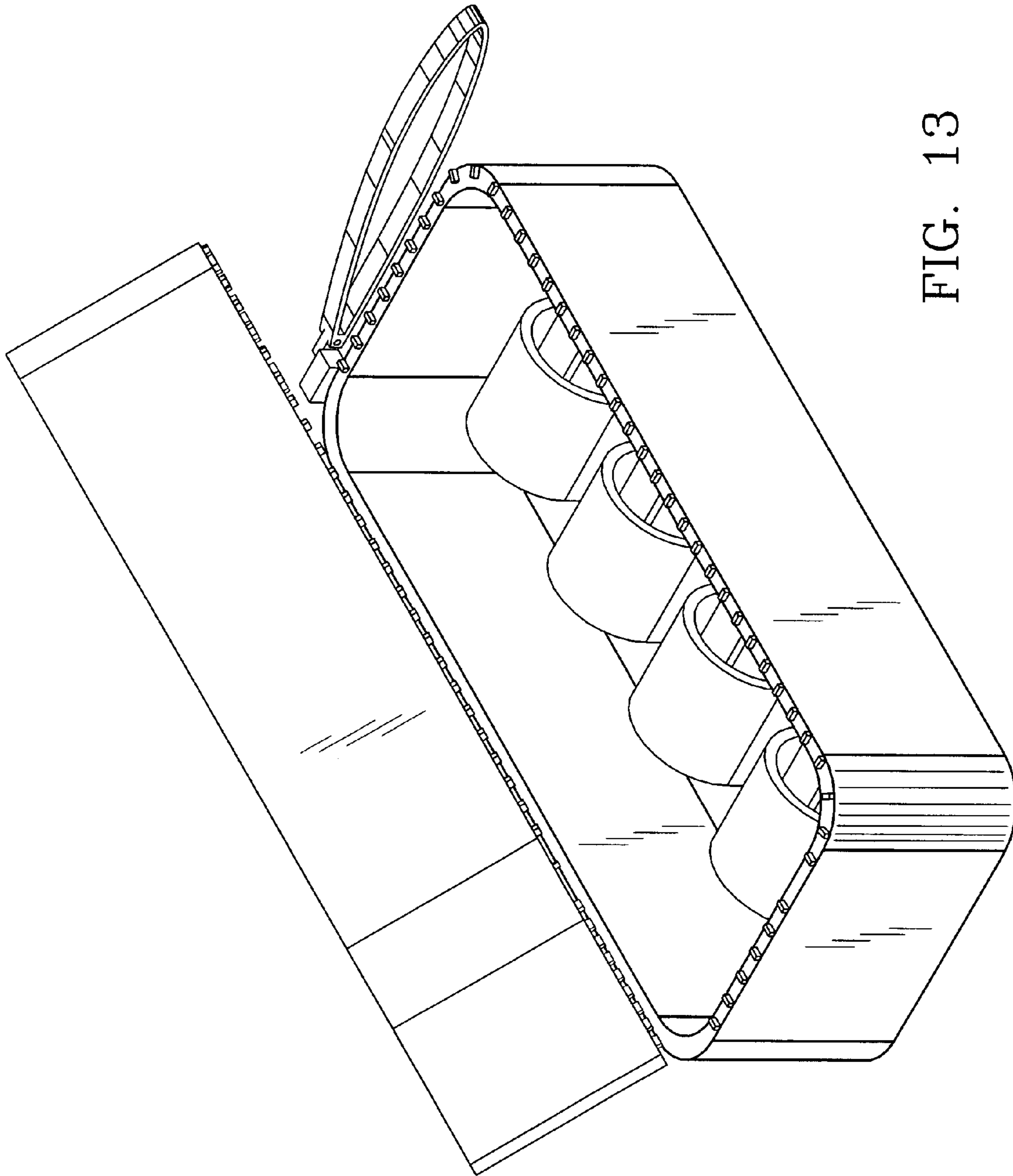


FIG. 13

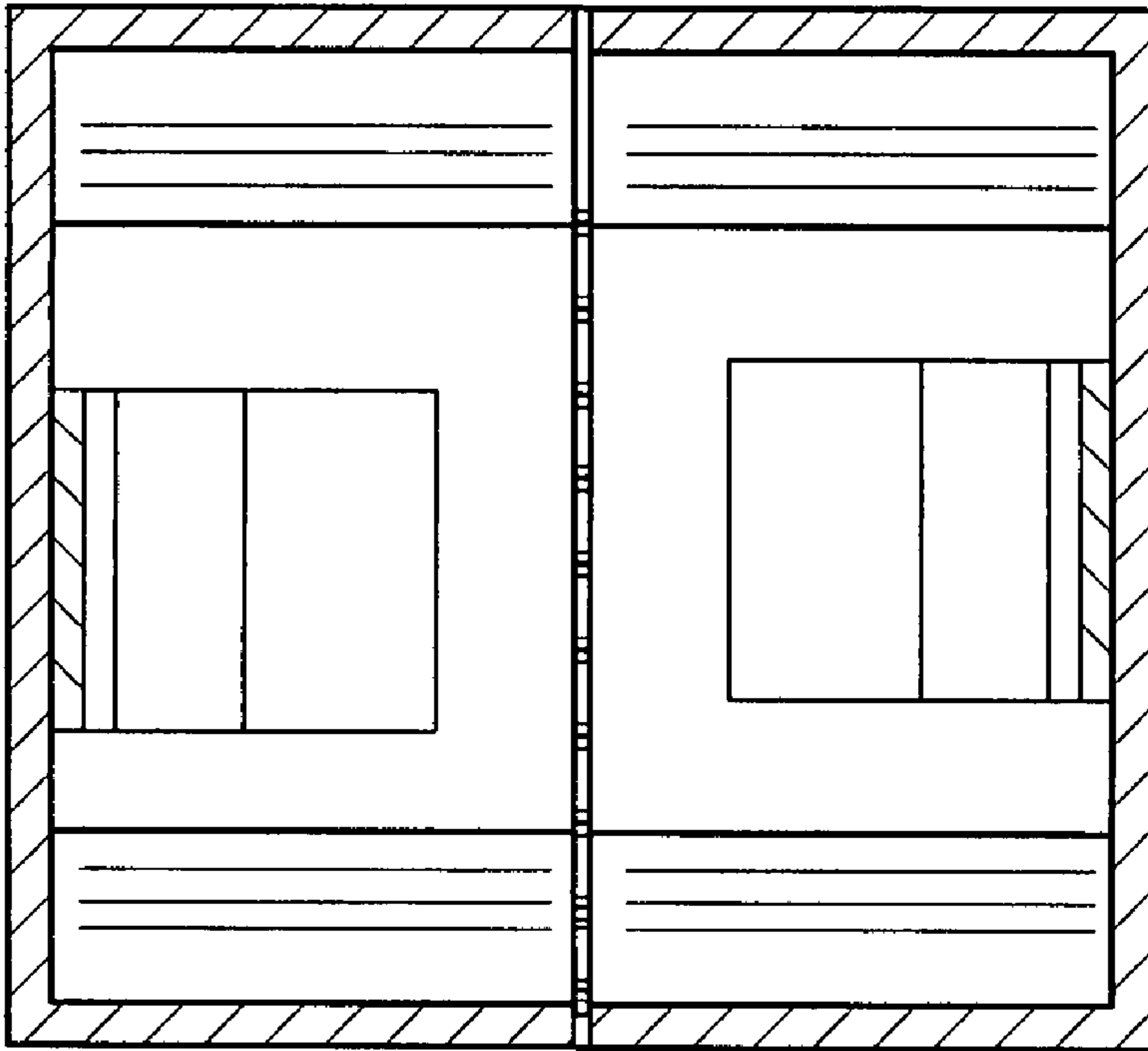


FIG. 14